



US00D767157S

(12) **United States Design Patent** (10) **Patent No.:** **US D767,157 S**  
**Yu** (45) **Date of Patent:** **\*\* Sep. 20, 2016**

(54) **VIBRATOR**

(71) Applicant: **Ping Yu**, Baoan District (CN)

(72) Inventor: **Ping Yu**, Baoan District (CN)

(\*\*) Term: **15 Years**

(21) Appl. No.: **29/546,190**

(22) Filed: **Nov. 19, 2015**

(51) **LOC (10) Cl.** ..... **28-03**

(52) **U.S. Cl.**  
USPC ..... **D24/215**

(58) **Field of Classification Search**  
USPC ..... D24/200, 211, 212, 213, 214, 215;  
601/19, 27-32, 46, 48, 52, DIG. 12,  
601/DIG. 14, DIG. 15, DIG. 16, DIG. 17, 99,  
601/112, 113, 118, 119, 120, 121;  
D30/160; D14/218; D11/26  
CPC ..... A61H 19/30; A61H 19/32; A61H 19/34;  
A61H 19/40; A61H 19/44; A61H 19/50;  
A61H 19/00; A61H 2201/0153; A61H  
2201/0207; A61H 2201/0263; A61H  
2201/0111; A61H 2201/1253; A61H  
2205/082; A61H 2205/085; A61H 15/0085;  
A61H 15/0092

See application file for complete search history.

(56) **References Cited**

U.S. PATENT DOCUMENTS

D258,687 S \* 3/1981 Katsube ..... 601/107  
D317,204 S \* 5/1991 Hennessey ..... D24/211

D326,721 S \* 6/1992 Ujifusa ..... D24/200  
5,560,746 A \* 10/1996 Willow ..... A61H 39/04  
601/135  
D423,676 S \* 4/2000 Lazio ..... D24/211  
D444,566 S \* 7/2001 Thomas ..... D24/214  
7,081,087 B2 \* 7/2006 Jannuzzi ..... A61H 19/34  
600/38  
D554,270 S \* 10/2007 Ano ..... D24/214  
D646,794 S \* 10/2011 Hennessey ..... D24/214  
D669,591 S \* 10/2012 Heininen ..... D24/214  
D690,431 S \* 9/2013 Nohr ..... D24/215  
D750,796 S \* 3/2016 Bains ..... D24/214

\* cited by examiner

*Primary Examiner* — Sandra Snapp

(74) *Attorney, Agent, or Firm* — Stein IP, LLC

(57) **CLAIM**

The ornamental design for a vibrator, as shown and described.

**DESCRIPTION**

FIG. 1 is a front view of a vibrator;  
FIG. 2 is a rear view thereof;  
FIG. 3 is a left side view thereof;  
FIG. 4 is a right side view thereof;  
FIG. 5 is a top view thereof;  
FIG. 6 is a bottom view thereof;  
FIG. 7 is a perspective view thereof;  
FIG. 8 is a perspective view of the vibrator in a first extended position; and,  
FIG. 9 is a perspective view of the vibrator in a second extended position.

**1 Claim, 9 Drawing Sheets**

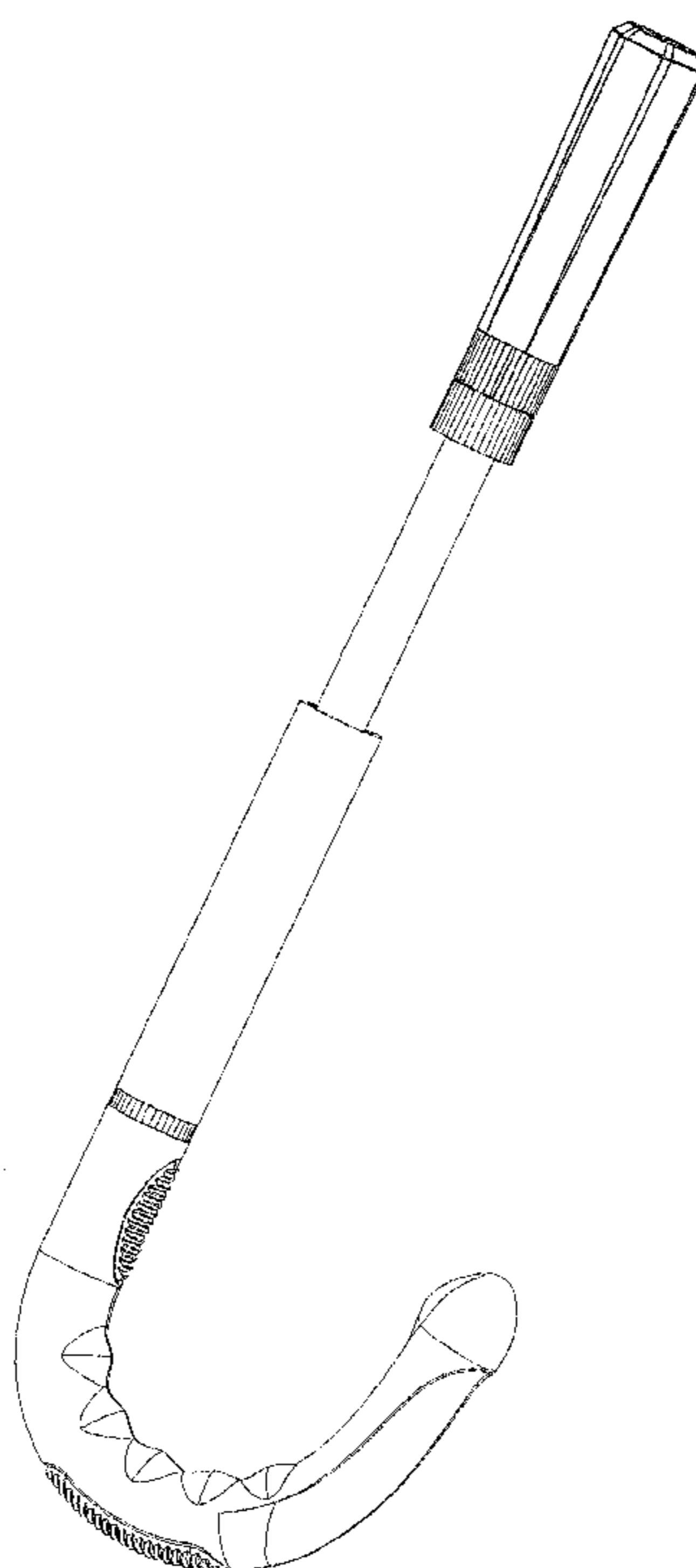


FIG. 1

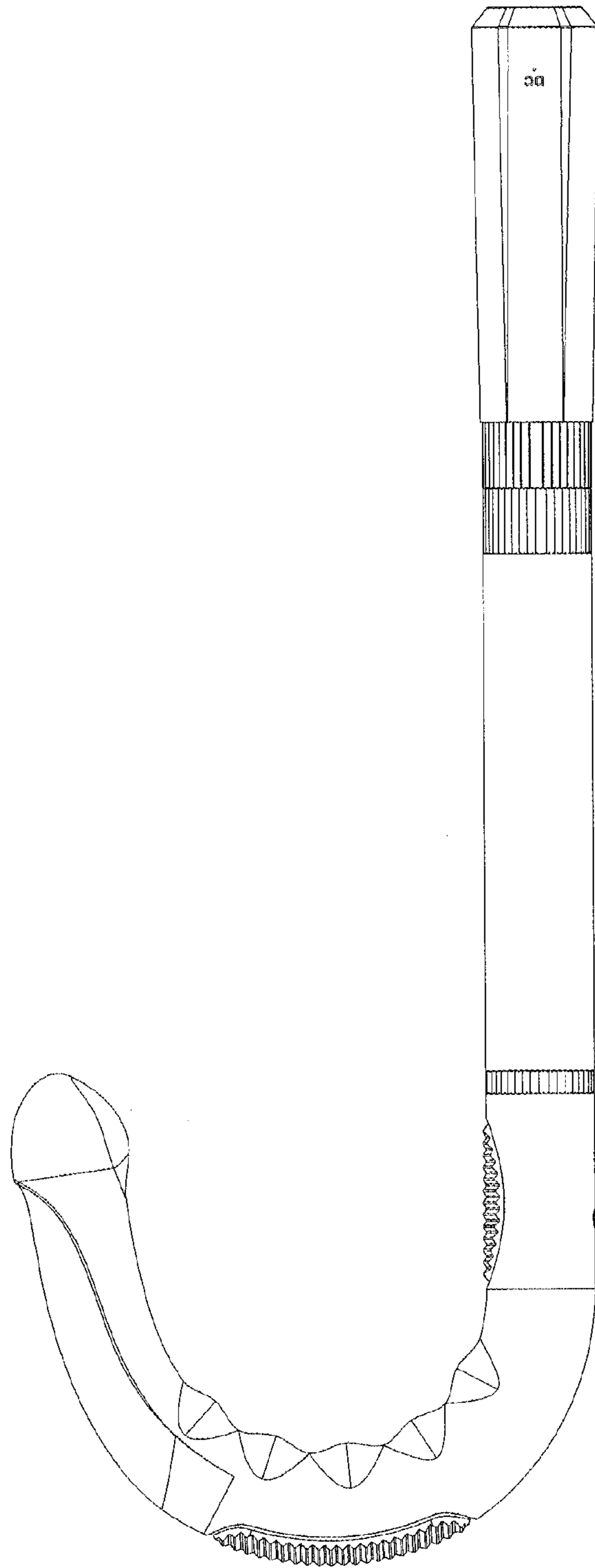


FIG. 2

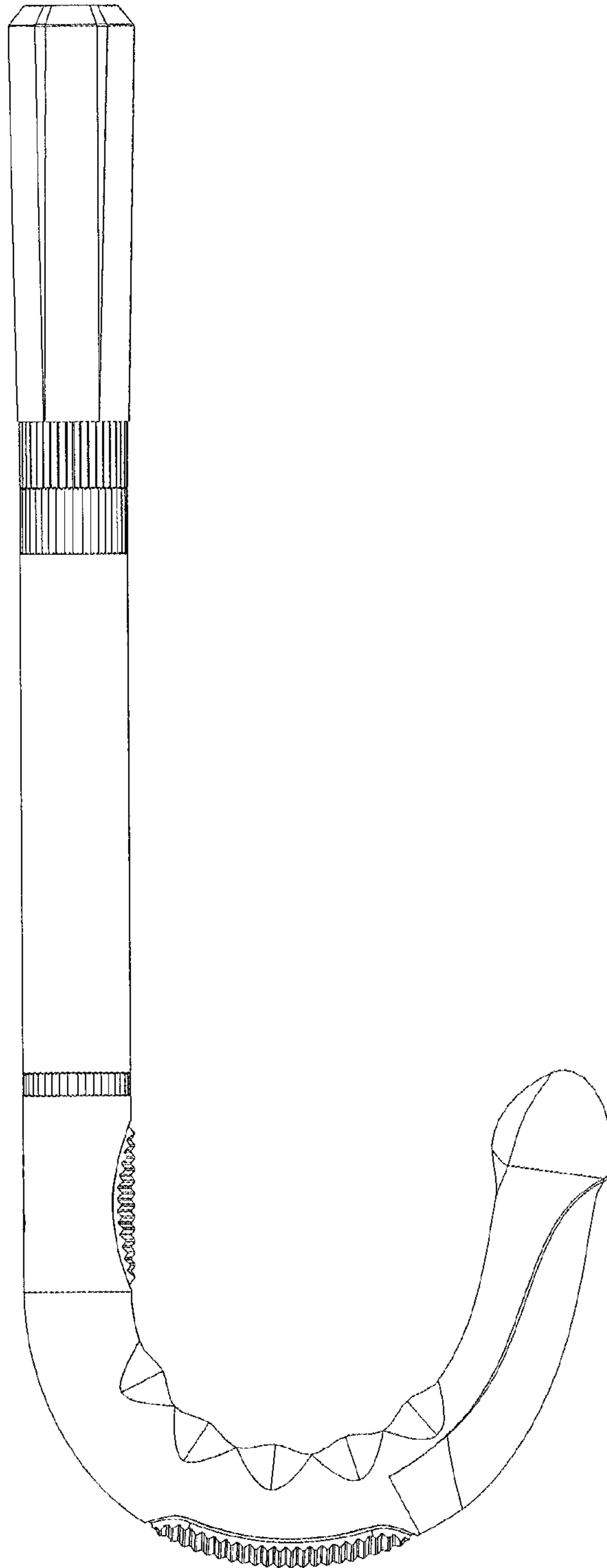


FIG. 3



FIG. 4

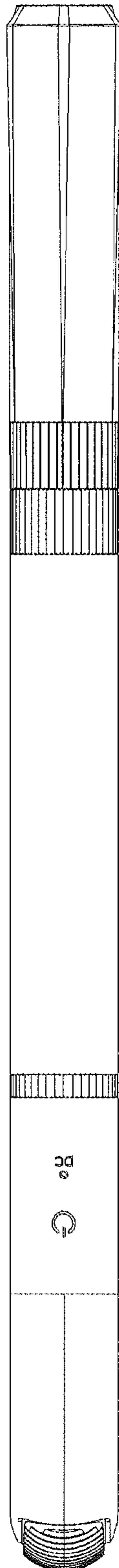


FIG. 5

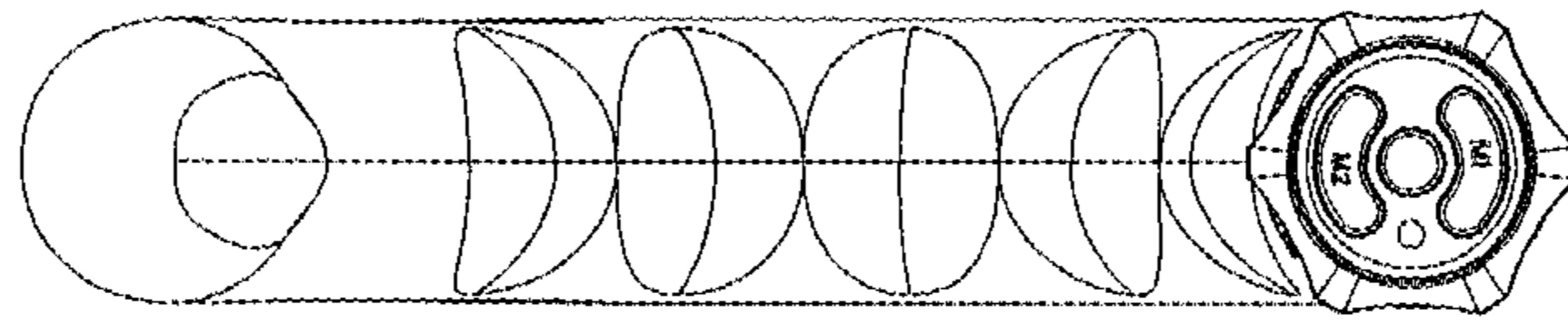


FIG. 6

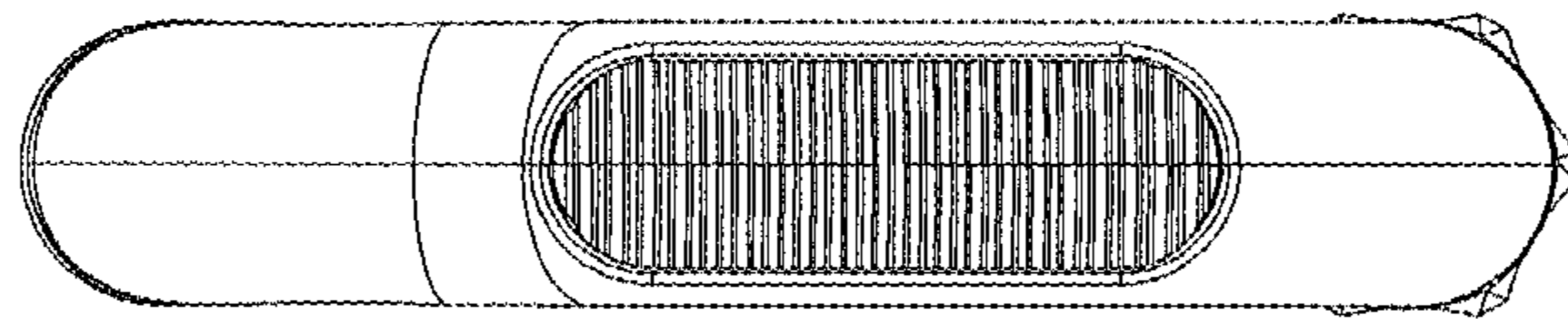


FIG. 7

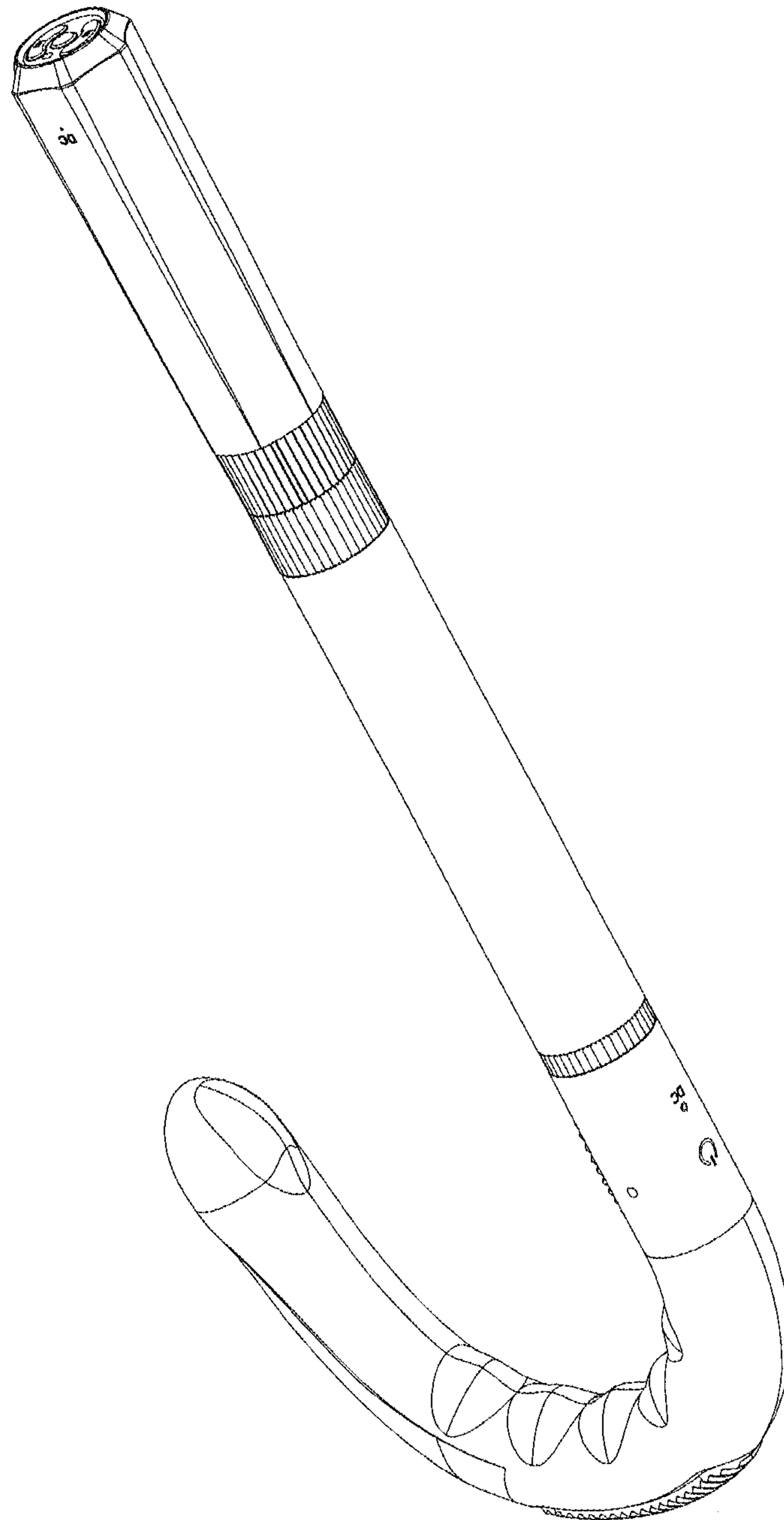




FIG. 8

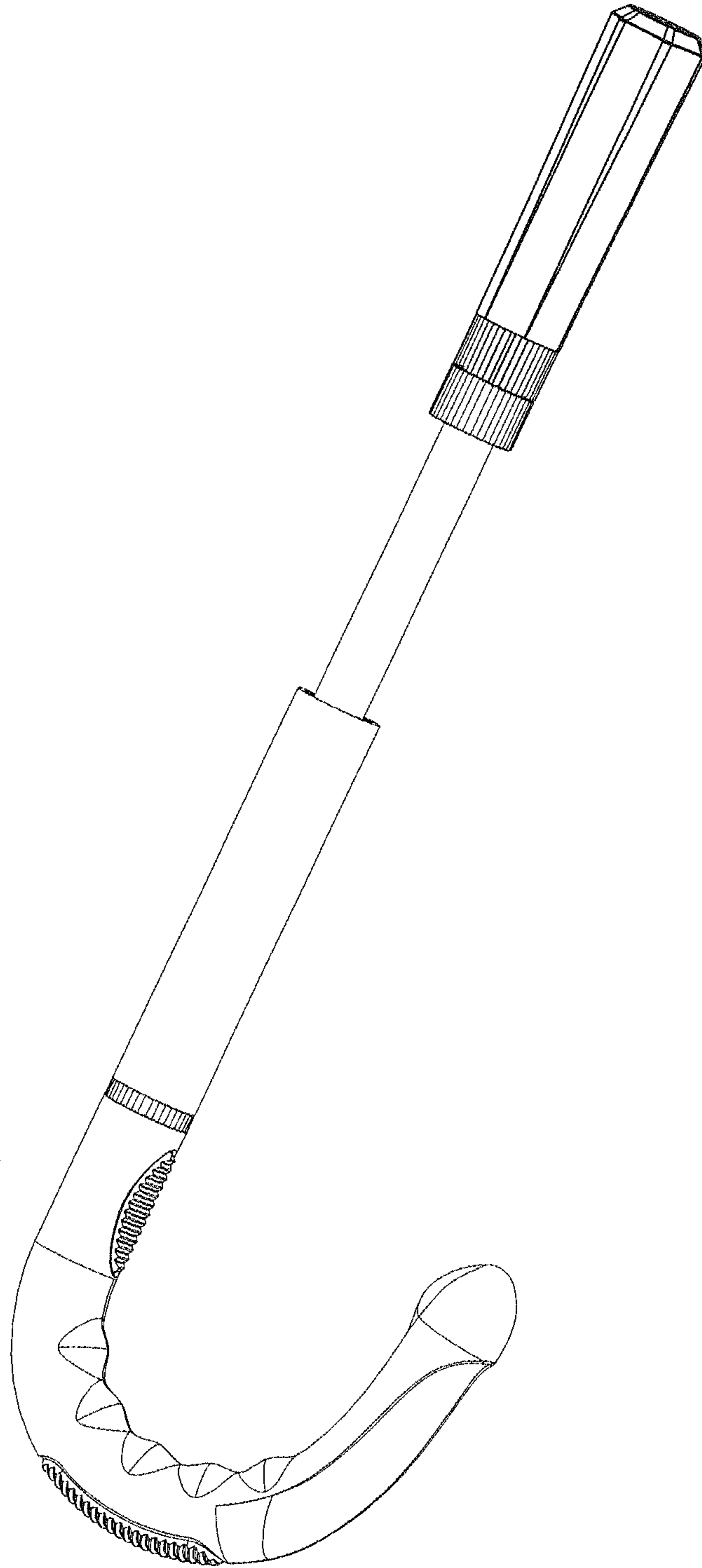


FIG. 9

