



US00D767156S

(12) **United States Design Patent** (10) **Patent No.:** **US D767,156 S**
Pursel et al. (45) **Date of Patent:** **** Sep. 20, 2016**

(54) **INSTRUMENT FOR TREATMENT OF SOFT TISSUE**

(71) Applicant: **Tissue Tools LLC**, Conshohocken, PA (US)

(72) Inventors: **Mark W. Pursel**, Grantville, PA (US);
Francis X. Osborne, West Conshohocken, PA (US)

(73) Assignee: **Tissue Tools LLC**, Conshohocken, PA (US)

(**) Term: **15 Years**

(21) Appl. No.: **29/540,309**

(22) Filed: **Sep. 23, 2015**

Related U.S. Application Data

(63) Continuation of application No. 29/520,408, filed on Mar. 13, 2015, now Pat. No. Des. 742,026, which is a continuation of application No. 29/510,681, filed on Dec. 2, 2014, now Pat. No. Des. 728,814, which is a

(Continued)

(51) **LOC (10) Cl.** **28-03**

(52) **U.S. Cl.**
USPC **D24/214**

(58) **Field of Classification Search**
USPC D24/200, 211, 212, 213, 214, 215;
601/19, 27-32, 46, 49, 52, DIG. 12,
601/DIG. 14, DIG. 15, DIG. 16, DIG. 17;
D12/178
CPC A61H 19/30; A61H 19/32; A61H 19/40;
A61H 19/44; A61H 19/50; A61H 19/00;
A61H 2201/0153; A61H 2201/0207; A61H
2201/0263; A61H 2201/0111; A61H
2201/1253; A61H 2205/082; A61H
2205/085; A61H 15/0085

See application file for complete search history.

(56) **References Cited**

U.S. PATENT DOCUMENTS

D495,422 S * 8/2004 Chen D24/211
D558,343 S * 12/2007 Sisto D24/133

(Continued)

OTHER PUBLICATIONS

Graston Technique; Jan. 25, 2010; retrieved from: <https://web.archive.org/web/20100125103150/http://www.grastontechnique.com/AboutUs/>

(Continued)

Primary Examiner — Sandra Snapp

(74) *Attorney, Agent, or Firm* — Design IP; James J. Aquilina

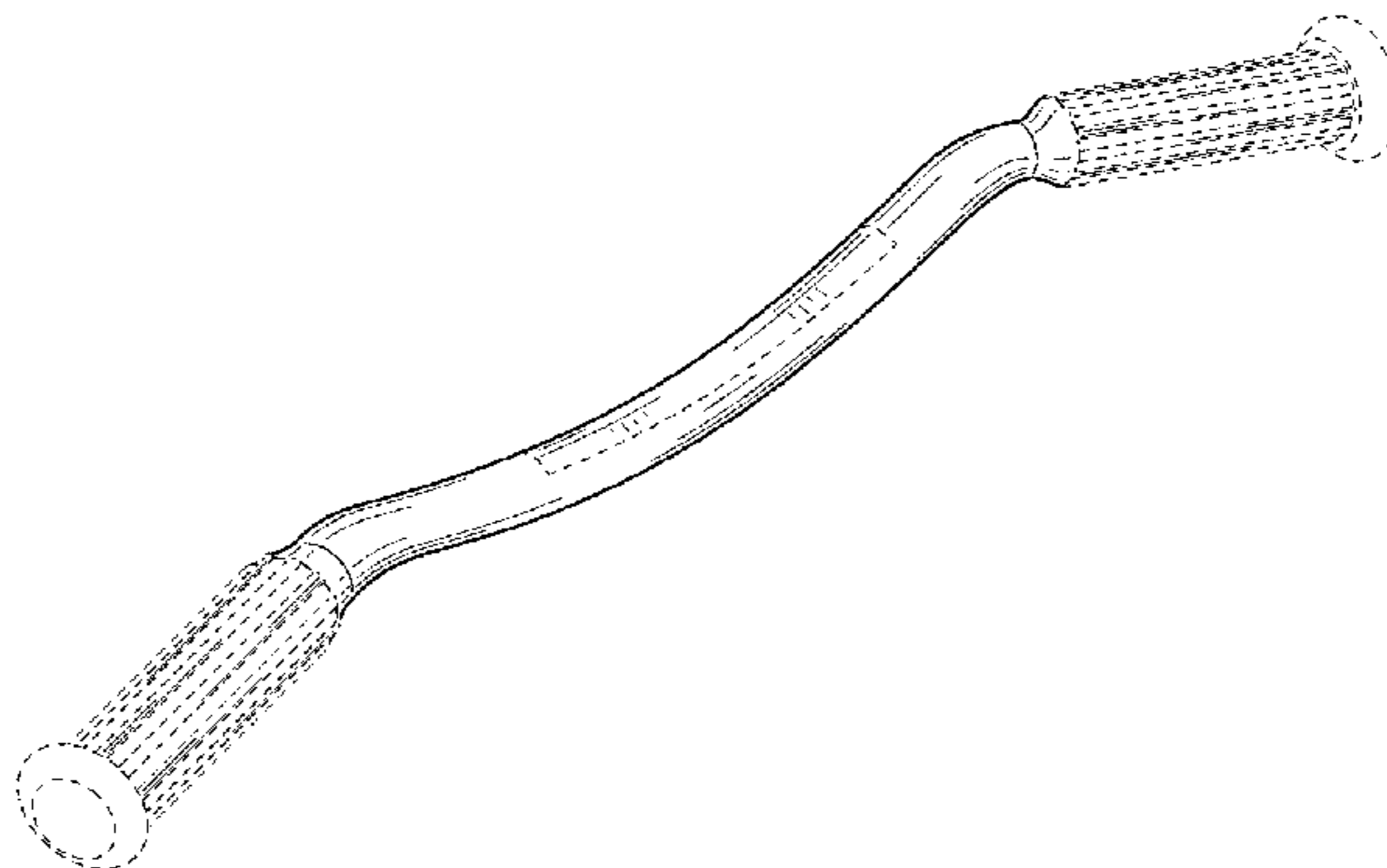
(57) **CLAIM**

The ornamental design for an instrument for treatment of soft tissue, as shown and described.

DESCRIPTION

FIG. 1 is a front perspective view of an instrument for treatment of soft tissue showing our new design; FIG. 2 is a front elevation view thereof; FIG. 3 is a rear elevation view thereof; FIG. 4 is a left elevation view thereof; FIG. 5 is a right elevation view thereof; FIG. 6 is a top plan view thereof; FIG. 7 is a bottom plan view thereof; FIG. 8 is an enlarged partial front view of the left end thereof; FIG. 9 is an enlarged partial front view of the right end thereof; FIG. 10 is an enlarged left elevation view thereof; and, FIG. 11 is an enlarged right elevation view thereof. The dashed broken lines shown in FIGS. 1-11, the dashed-dotted broken lines shown in FIGS. 1-3 and 6-9, and the dotted broken lines shown in FIGS. 4, 5, 10, and 11 are included for the purpose of illustrating environmental subject matter only and form no part of the claimed design. The surface shading between alternating pairs of straight dashed broken lines on the end portions of the instrument up to the dashed-dotted broken lines indicate claimed surfaces, whereas the remaining portions of the end portions of the instrument are unclaimed.

1 Claim, 4 Drawing Sheets



US D767,156 S

Page 2

Related U.S. Application Data

continuation of application No. 29/492,882, filed on Jun. 3, 2014, now Pat. No. Des. 721,440, which is a continuation of application No. 13/385,610, filed on Apr. 21, 2011, now abandoned.

D742,026 S * 10/2015 Pursel D24/214
2004/0019305 A1* 1/2004 Tu A61H 39/06
601/107
2014/0171842 A1* 6/2014 Conner A61H 19/40
601/46

(56)

References Cited

U.S. PATENT DOCUMENTS

D712,563 S * 9/2014 Pursel D24/171
D721,440 S * 1/2015 Pursel D24/214

OTHER PUBLICATIONS

Hawk Grips; Dec. 8, 2012; retrieved from: <http://hawkgrips.com/our-products/>.

* cited by examiner

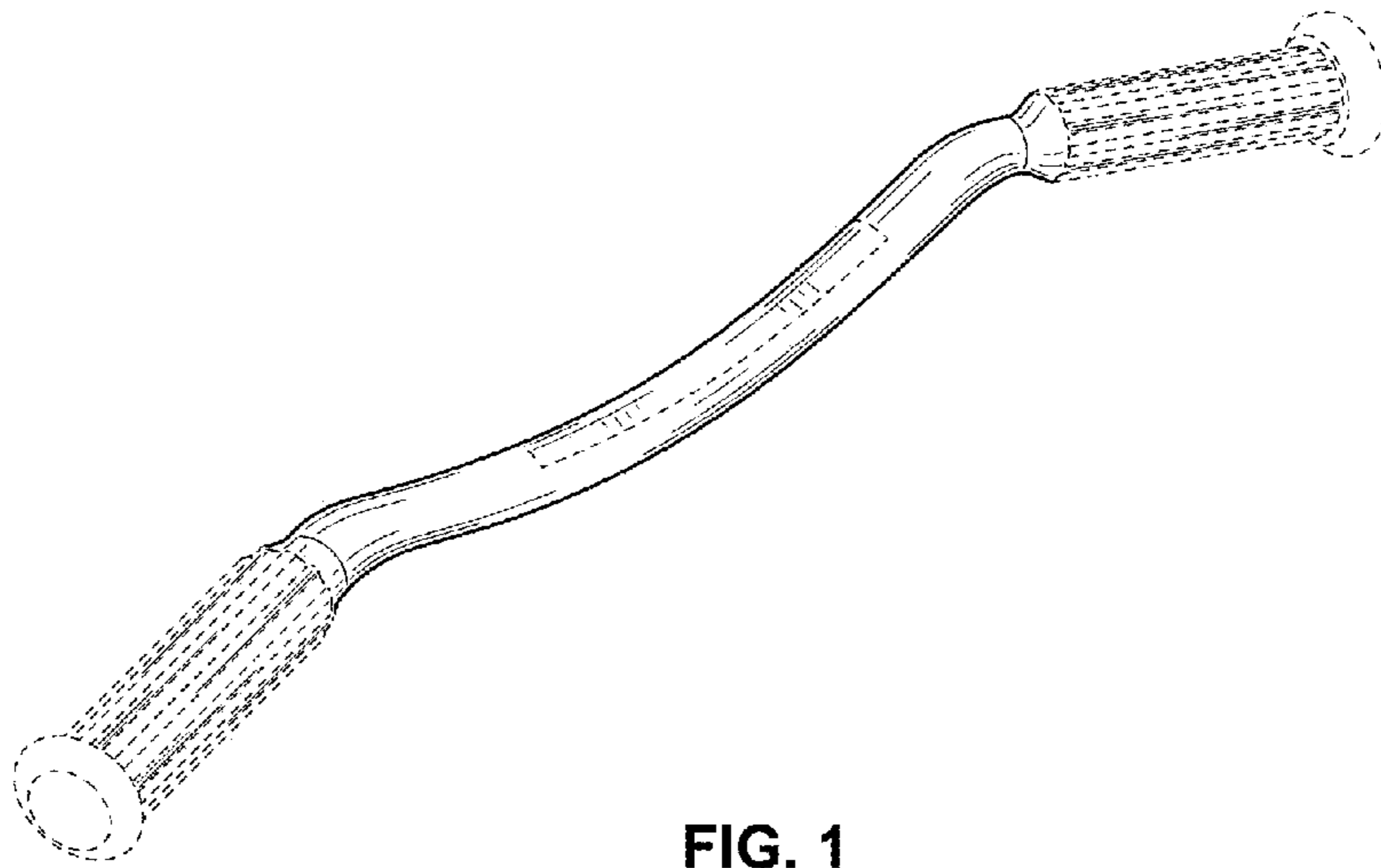


FIG. 1

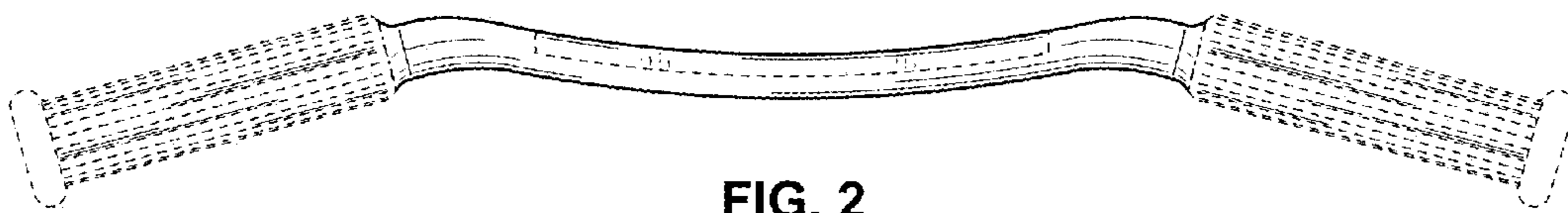


FIG. 2

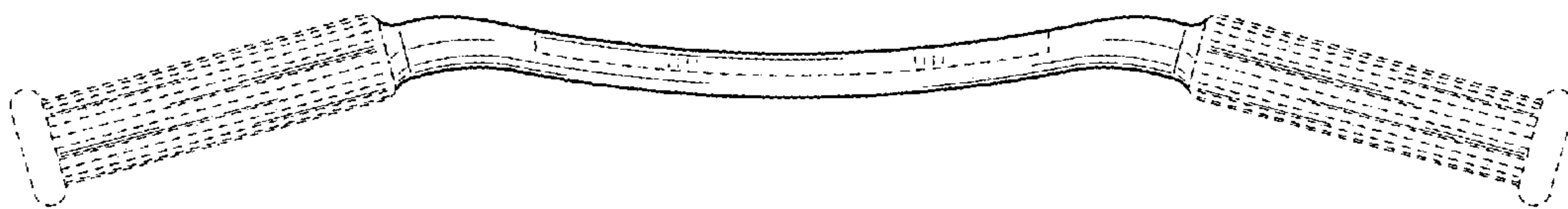


FIG. 3

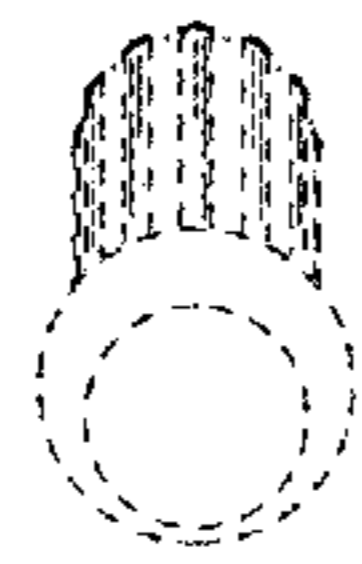


FIG. 4

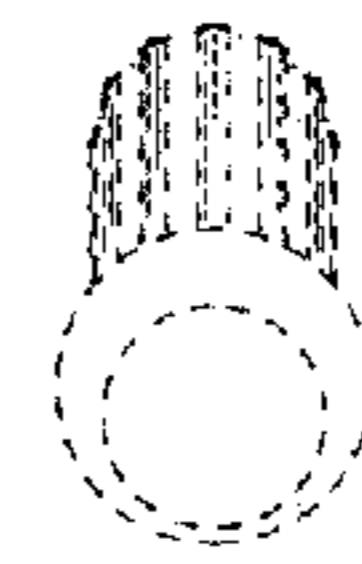


FIG. 5

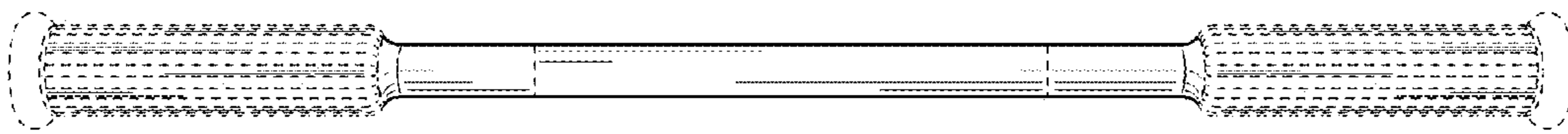


FIG. 6

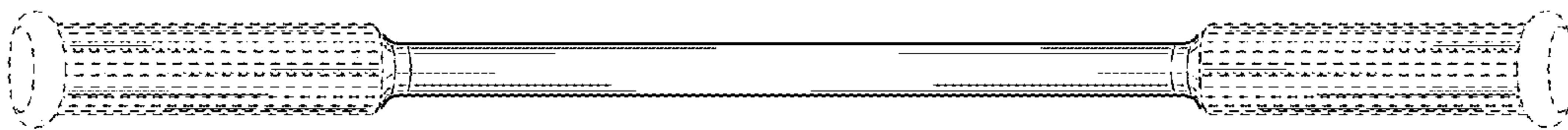


FIG. 7

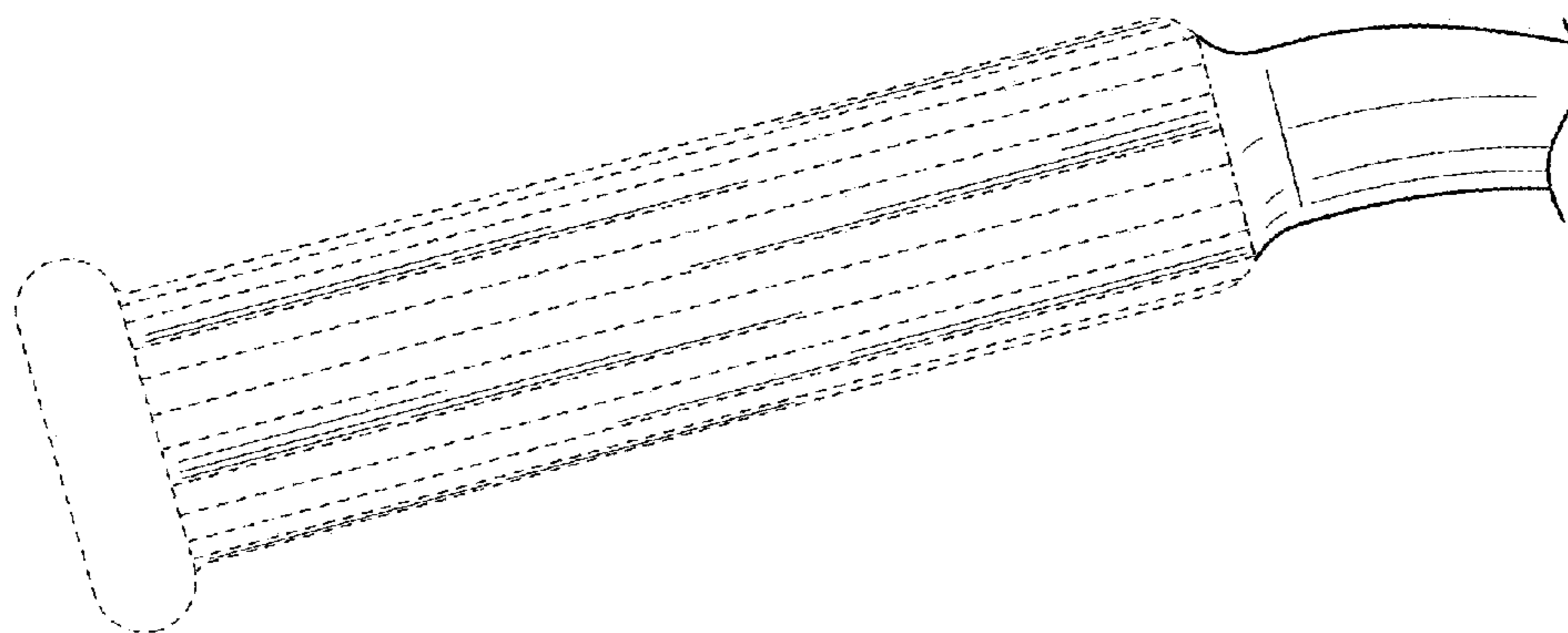


FIG. 8

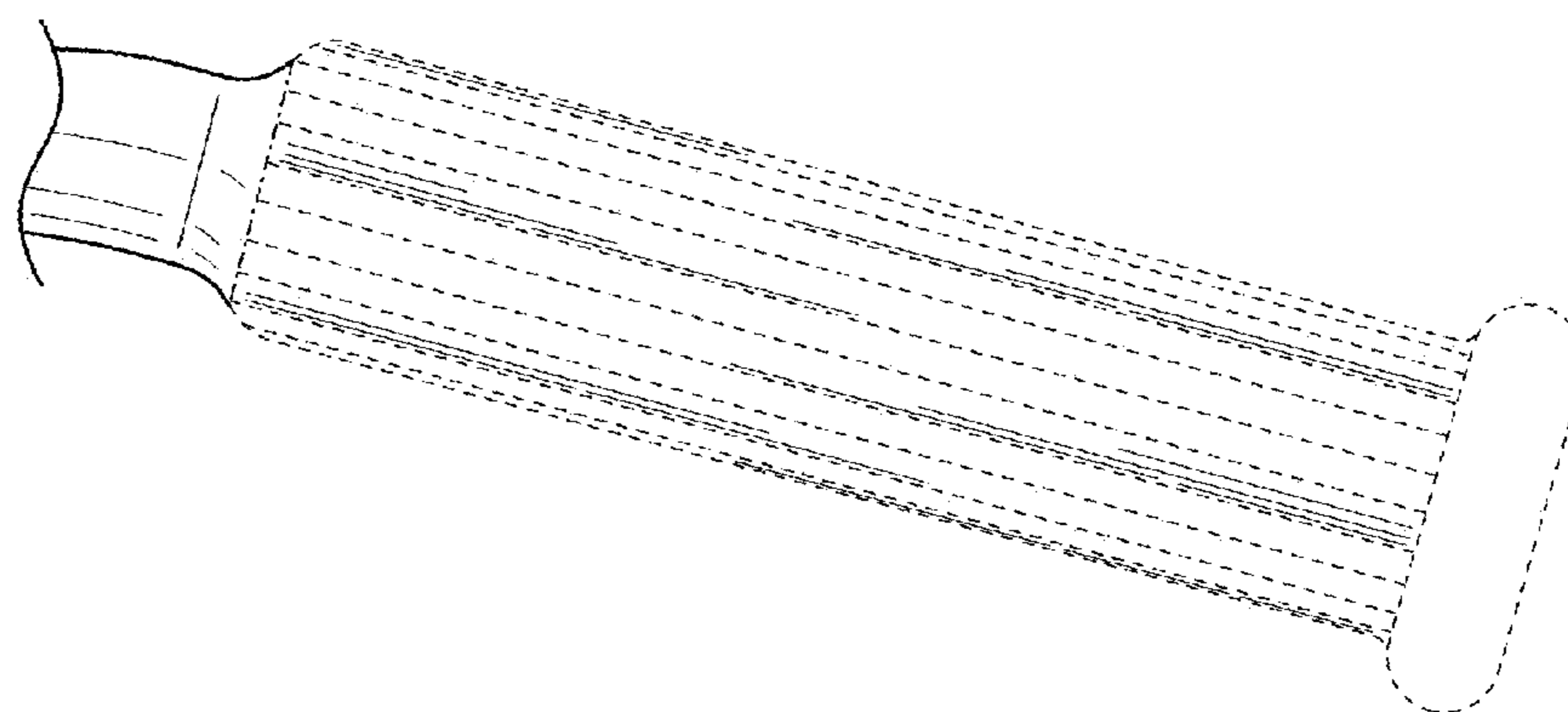


FIG. 9

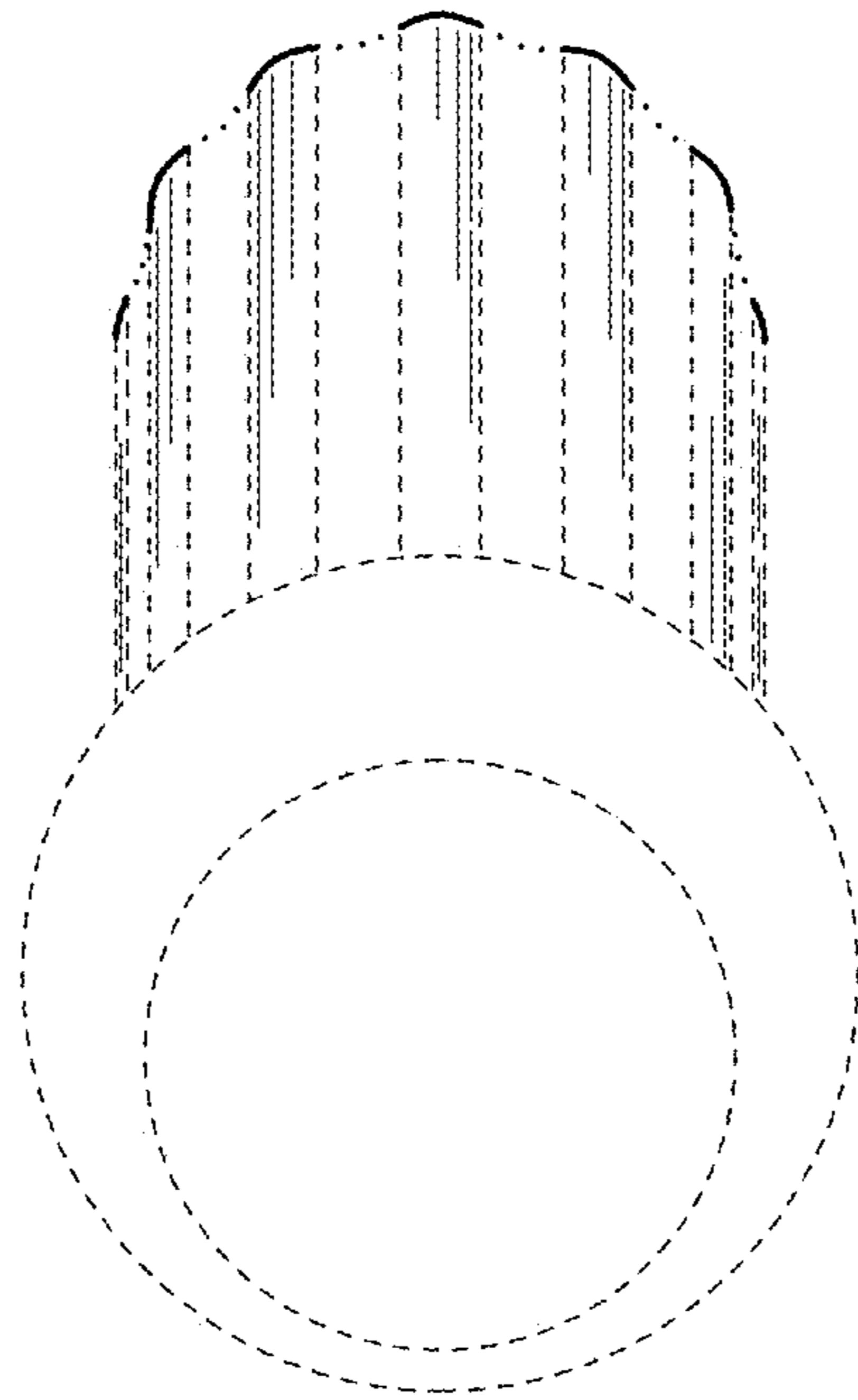


FIG. 10

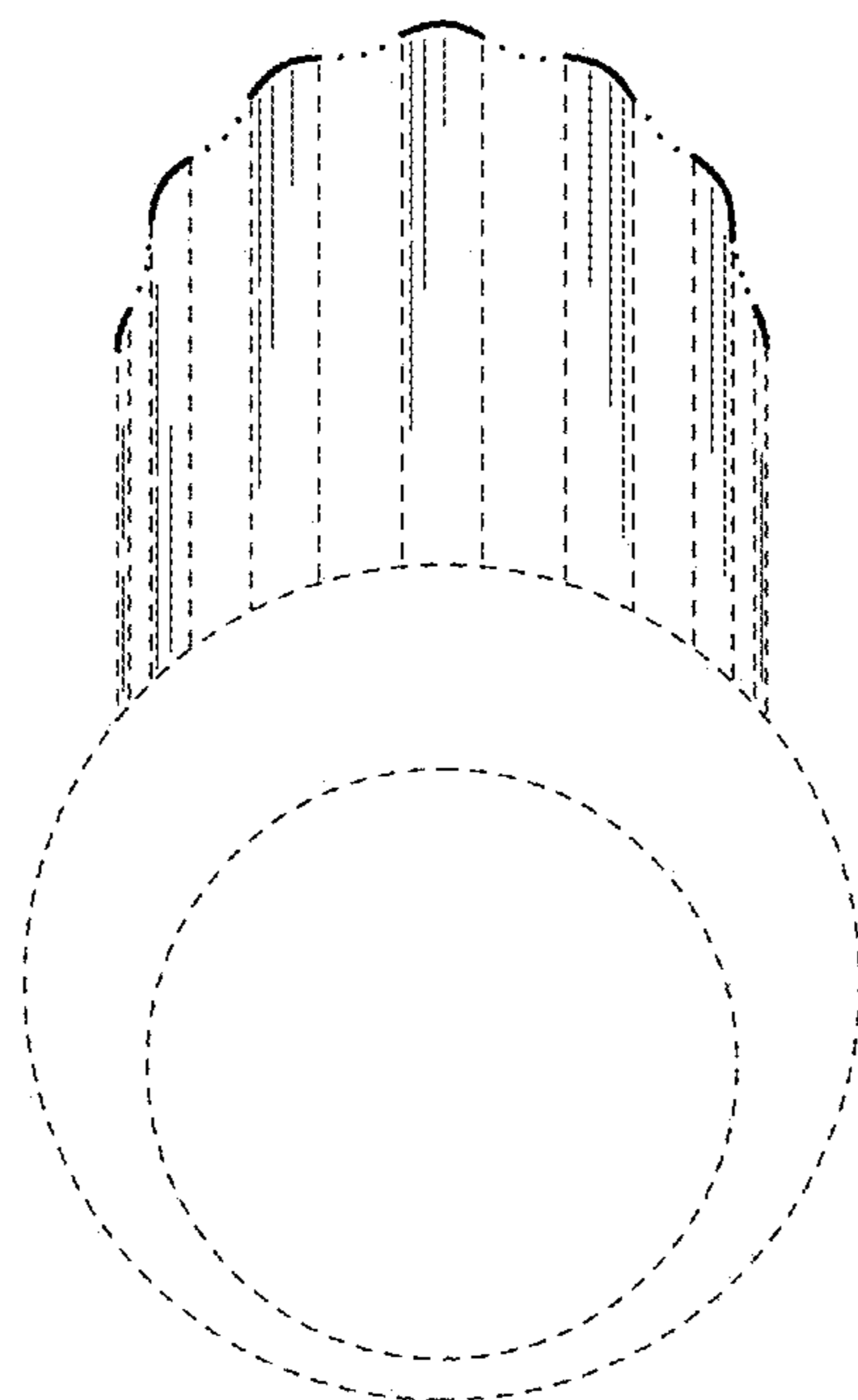


FIG. 11