



US00D767149S

(12) **United States Design Patent**  
**Brown et al.**

(10) **Patent No.:** **US D767,149 S**  
(45) **Date of Patent:** **\*\* Sep. 20, 2016**

(54) **RELAXATION DEVICE**  
(71) Applicant: **Gait, LLC**, Granger, IN (US)  
(72) Inventors: **Marilyn I. Brown**, South Bend, IN (US); **Harriet Y. Phillips**, Granger, IN (US); **Scott A. Albright**, Buchanan, MI (US); **Justin D. Erickson**, Stevensville, MI (US); **Robert K. Blake**, Three Oaks, MI (US)

(73) Assignee: **Gait, LLC**, Granger, IN (US)  
(\*\*) Term: **14 Years**

(21) Appl. No.: **29/524,940**

(22) Filed: **Apr. 24, 2015**

**Related U.S. Application Data**

(63) Continuation of application No. 14/615,895, filed on Feb. 6, 2015.

(51) **LOC (10) Cl.** ..... **24-01**

(52) **U.S. Cl.**  
USPC ..... **D24/183**

(58) **Field of Classification Search**  
USPC ..... D24/183; D21/399, 412, 414, 416, 417, D21/427, 429, 828; 482/51; 472/95, 96, 97, 472/101, 102, 103, 135, 137; 446/29, 237, 446/279, 280, 313, 431  
CPC .... A63B 26/003; A63B 69/04; A63B 22/16; A61H 1/001; A61H 1/003; A61G 5/10; A63G 19/20; A47C 7/14  
See application file for complete search history.

(56) **References Cited**

**U.S. PATENT DOCUMENTS**

3,997,979 A \* 12/1976 Turner ..... A63B 69/04 434/247  
D507,312 S \* 7/2005 Nishiyama ..... D21/662  
6,964,614 B1 \* 11/2005 Tsai ..... A63B 26/003 434/247  
D587,322 S \* 2/2009 Child ..... D21/427

7,682,154 B2 \* 3/2010 Hojo ..... A63B 69/04 434/247  
7,775,939 B2 \* 8/2010 Nakanishi ..... A61H 1/001 434/247  
7,914,386 B1 \* 3/2011 Johns ..... A63G 19/04 434/247  
2002/0115536 A1 \* 8/2002 Hojo ..... A63B 26/003 482/51  
2008/0009395 A1 \* 1/2008 Tseng ..... A63B 69/04 482/51  
2008/0146357 A1 \* 6/2008 Hsu ..... A61H 1/001 472/59

(Continued)

**OTHER PUBLICATIONS**

Panasonic, "Operating Instructions Core Trainer Exercise Equipment Model EU7805", at least as early as Nov. 6, 2013, 23 pages.

(Continued)

*Primary Examiner* — Rosemary K Tarcza

*Assistant Examiner* — Christy Nemeth

(74) *Attorney, Agent, or Firm* — Barnes & Thornburg LLP

(57) **CLAIM**

We claim the ornamental design for a relaxation device, as shown and described.

**DESCRIPTION**

FIG. 1 is a perspective view of a relaxation device according to the present invention.

FIG. 2 is a front elevation view of the device shown in FIG. 1.

FIG. 3 is a rear elevation view of the device shown in FIG. 1.

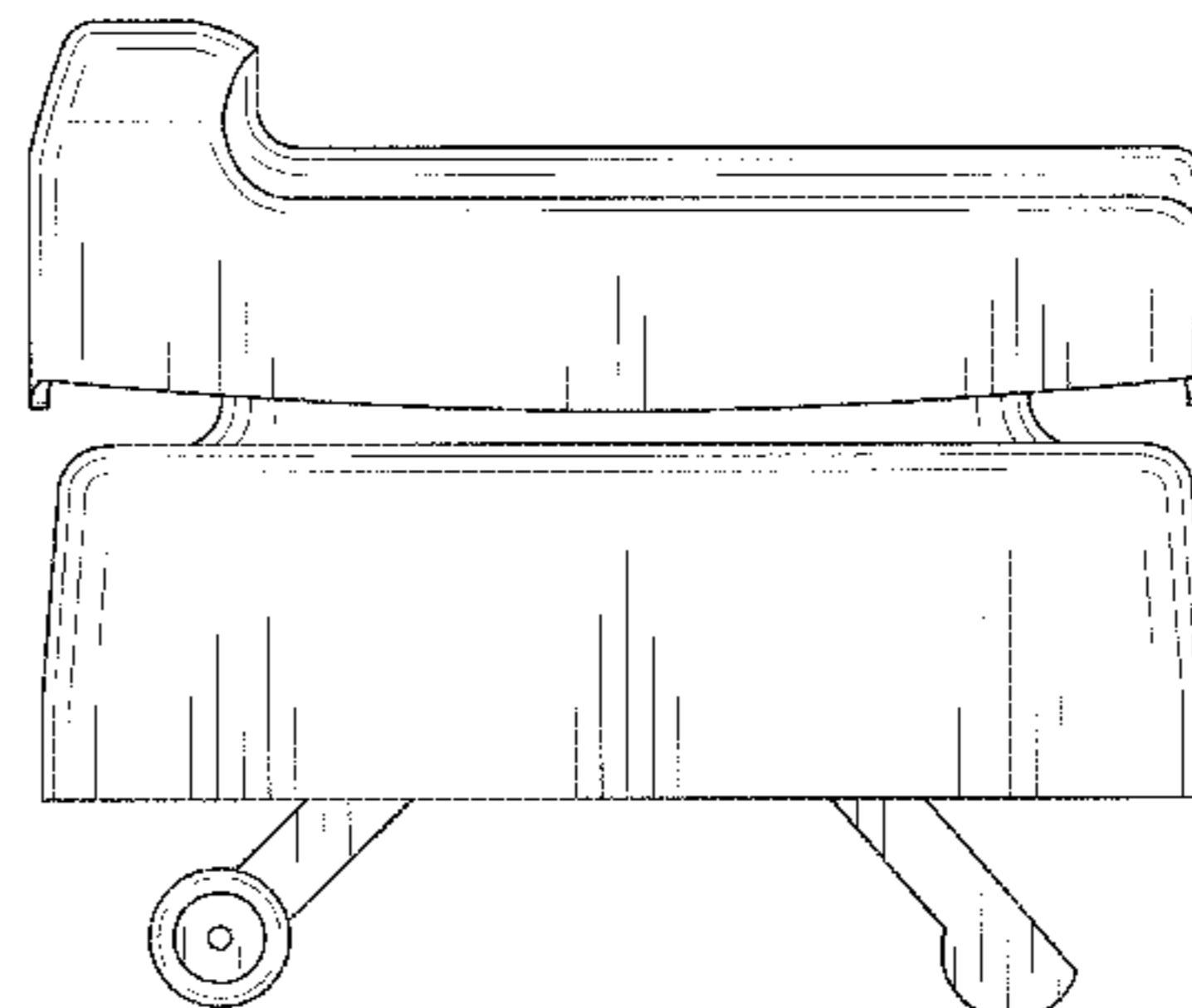
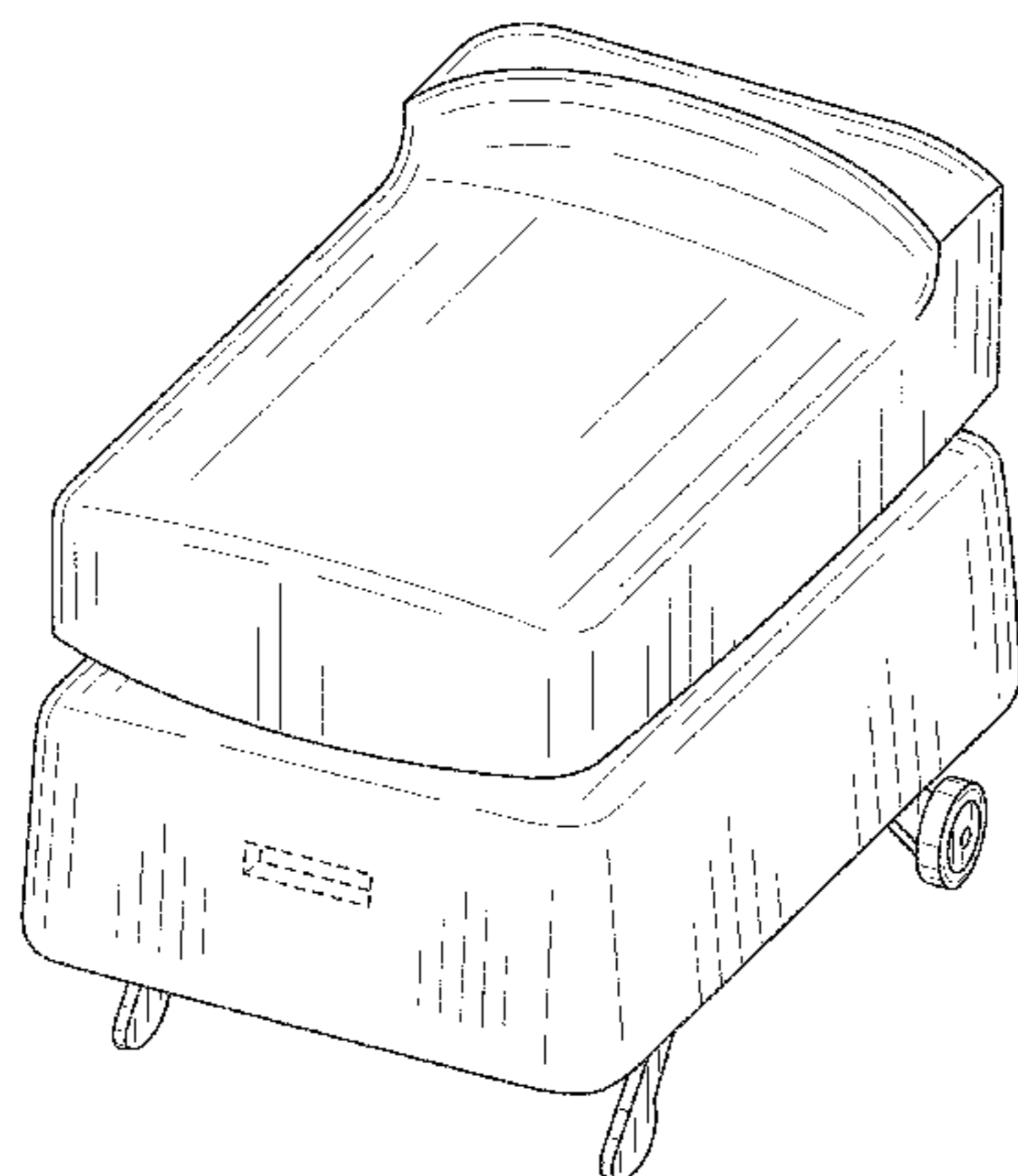
FIG. 4 is a right elevation view of the device shown in FIG. 1.

FIG. 5 is a left elevation view of the device shown in FIG. 1; and,

FIG. 6 is a top plan view of the device shown in FIG. 1.

The broken lines shown in the drawings are for the purpose of illustrating elements of the relaxation device that form no part of the claimed design.

**1 Claim, 4 Drawing Sheets**



(56)

**References Cited**

U.S. PATENT DOCUMENTS

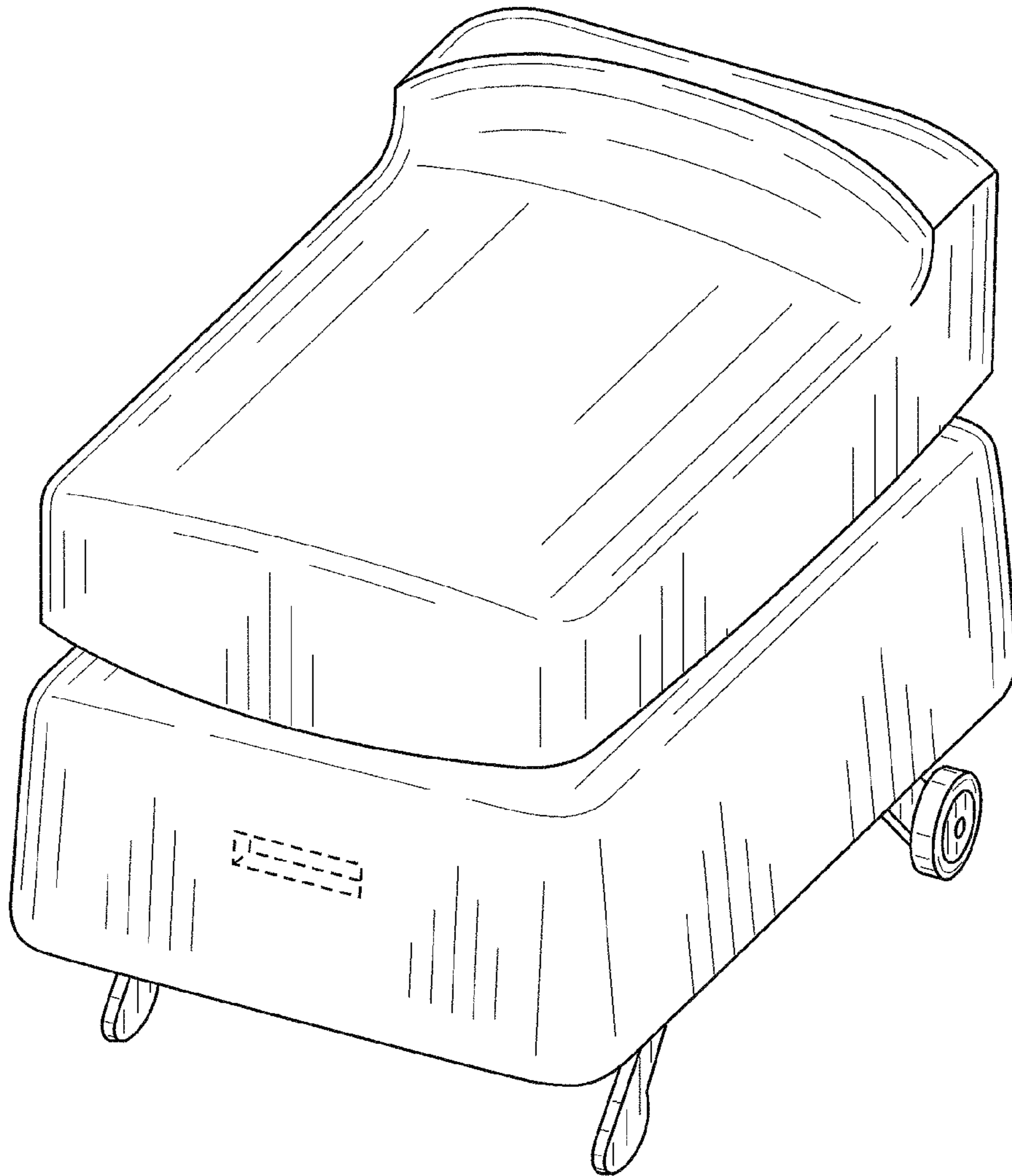
2011/0263398 A1\* 10/2011 Klassen ..... A63B 22/16  
482/146  
2011/0314609 A1\* 12/2011 Lee ..... A47C 4/54  
5/655.3  
2012/0190516 A1\* 7/2012 Geotsalitis ..... A63B 26/003  
482/142  
2013/0316827 A1\* 11/2013 Kang ..... A63B 22/02  
463/36  
2015/0173931 A1\* 6/2015 Tanaka ..... A63B 21/0088  
482/91

OTHER PUBLICATIONS

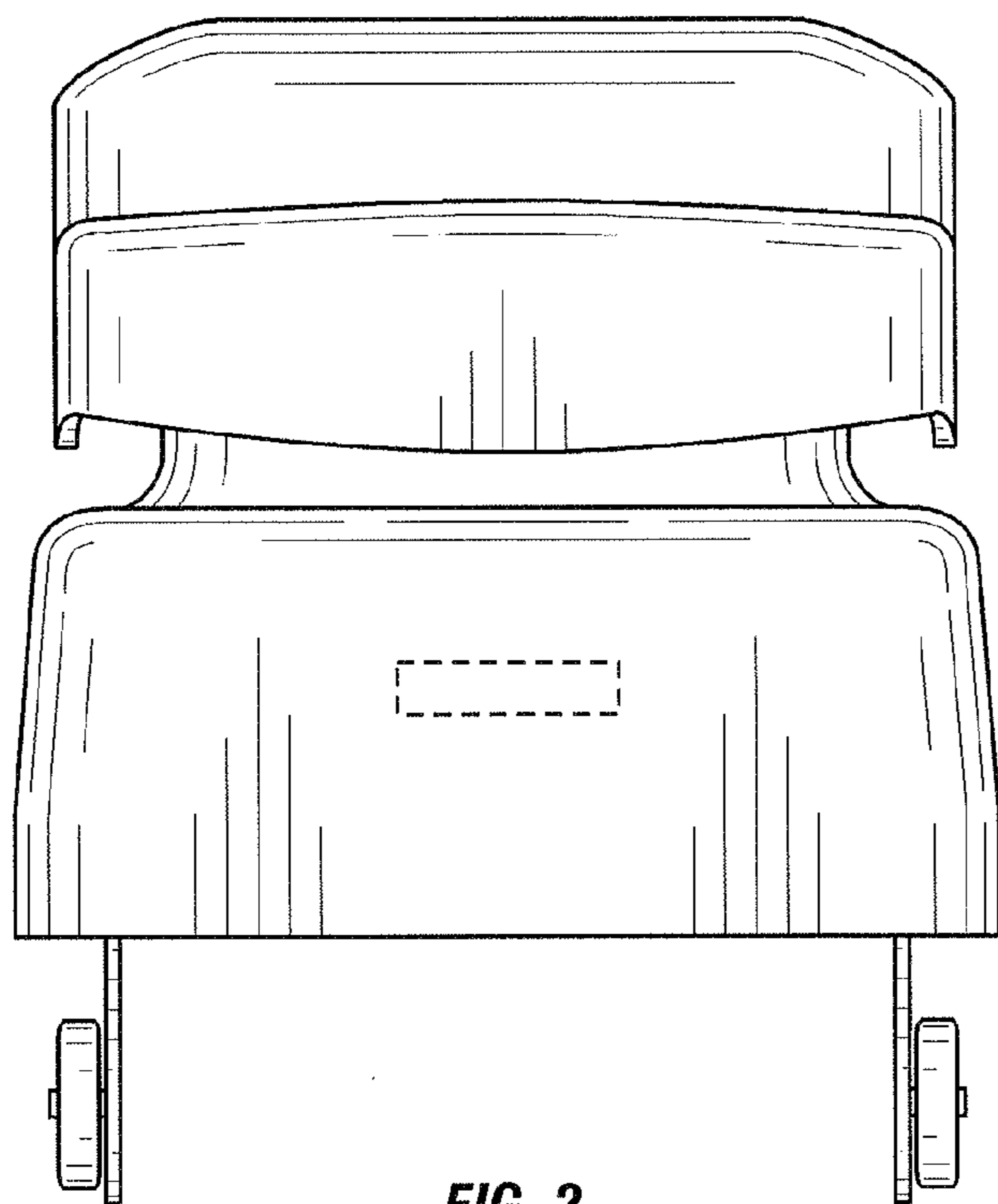
Motion Imaging and Analysis; "Motion Analysis Software for Biological and Veterinary Sciences (Equine and Canine Gait)", 2006, 2 pages, [www.mi-as.com](http://www.mi-as.com).  
Adapted Physical Activity Quarterly, "Autism Research: The Effectiveness of Simulated Developmental Horse-Riding Program in Children with Autism", Apr. 2011, 2 pages, [ultimateautismguide.com](http://ultimateautismguide.com).

Duda, Marty, The Voice, "Equine-assisted therapy at addiction treatment center", 2007, 2 pages, [www.hazeldon.org](http://www.hazeldon.org).  
Sherman, Ben, "Horse therapy helps wounded Soldiers", Nov. 23, 2011, 2 pages, [www.army.mil](http://www.army.mil).  
Cronk, Terri Moon, "Horse Therapy Helps Veterans Break Through PTSD", Apr. 5, 2012, 2 pages, [www.defense.gov](http://www.defense.gov).  
Brooks, Luisito, "Old Guard Soldiers, horses assist wounded warriors with therapeutic riding", Jun. 12, 2012, 2 pages, [www.army.mil](http://www.army.mil).  
Samavati, Shaheen, "Exercise machine tries to simulate horseback riding", Jan. 9, 2008, 4 pages, [blog.cleveland.com](http://blog.cleveland.com).  
Harris, Hoyt, "How Horses are Helping U.S. Soldiers With P.T.S. D.", Nov. 11, 2010, 6 pages, [www.katc.com](http://www.katc.com).  
Uchiyama, Hidehiko, Nobuyo Ohtani and Mitsuaki Ohta, "Three Dimensional Analysis of Horse and Human Gaits in Therapeutic Riding", Oct. 24, 2011, 5 pages, Applied Animal Behaviour Science.  
Hammacher Schlemmer Exerciser, "The Compact Core Exerciser", Nov. 13, 2013, 1 page, Hammacher Schlemmer Exerciser.  
Baylor University, "Advanced Mechanical Horse Built for Therapy", May 8, 2009, 7 pages, [www.sciencedaily.com](http://www.sciencedaily.com).

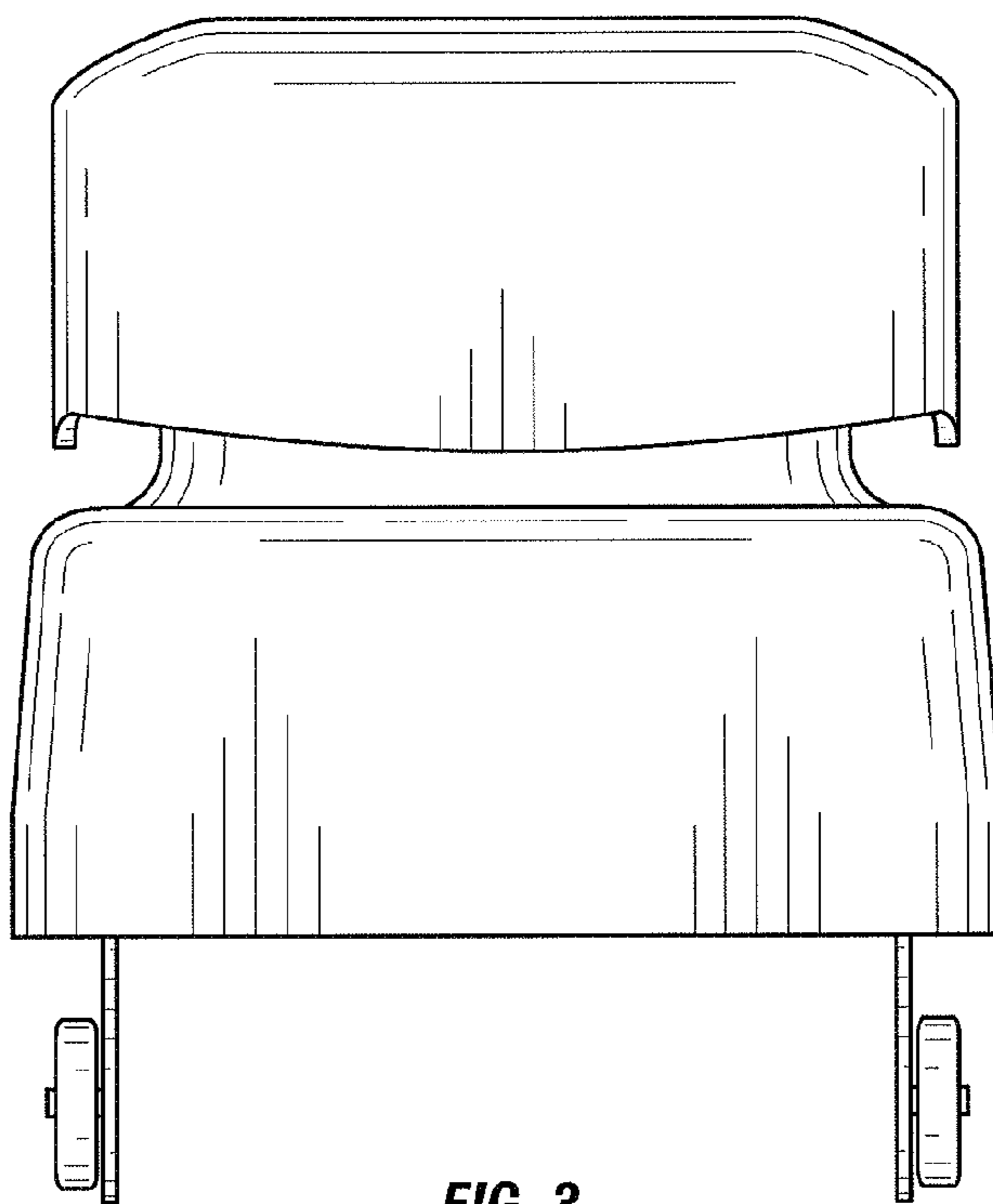
\* cited by examiner



**FIG. 1**



**FIG. 2**



**FIG. 3**

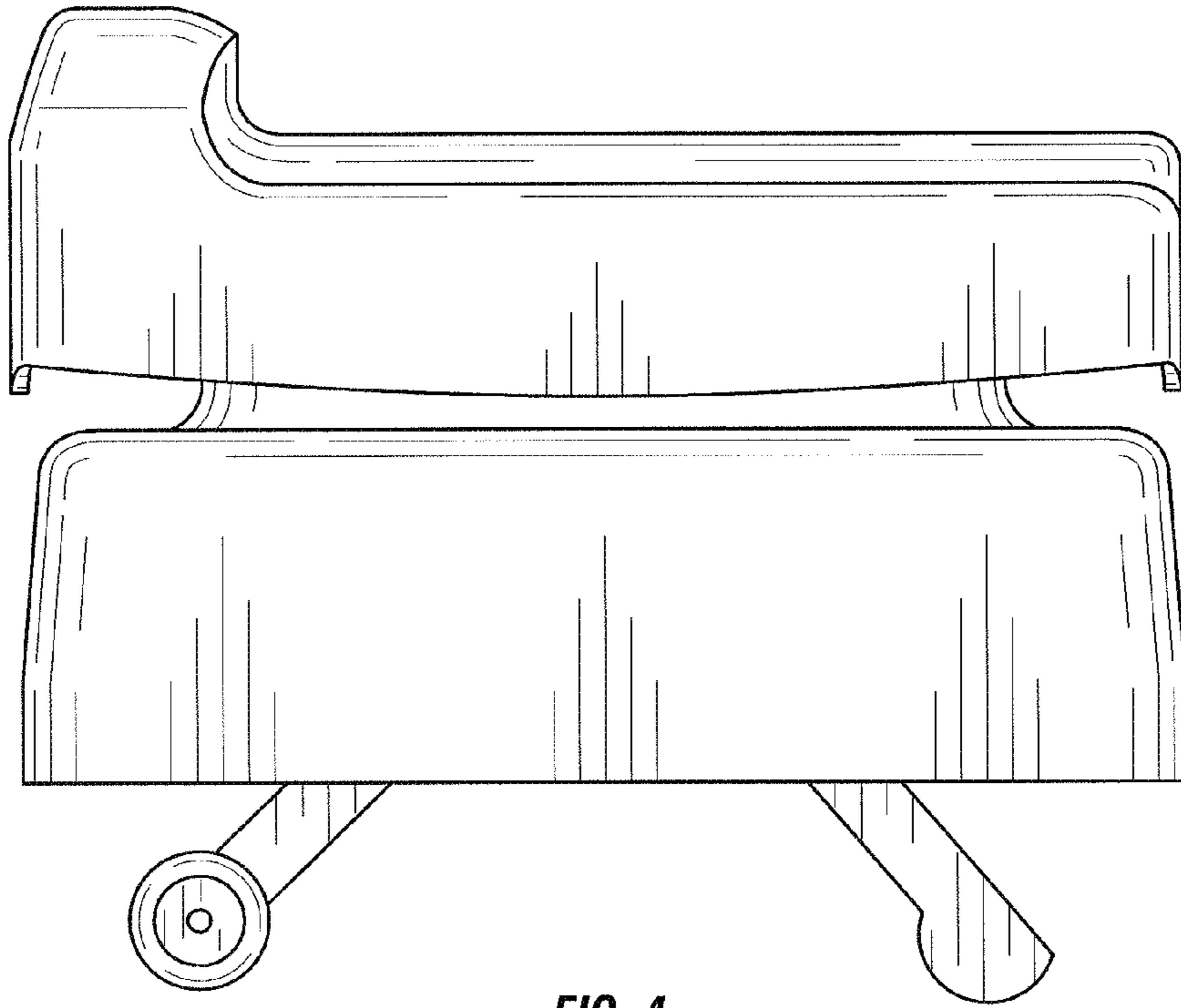


FIG. 4

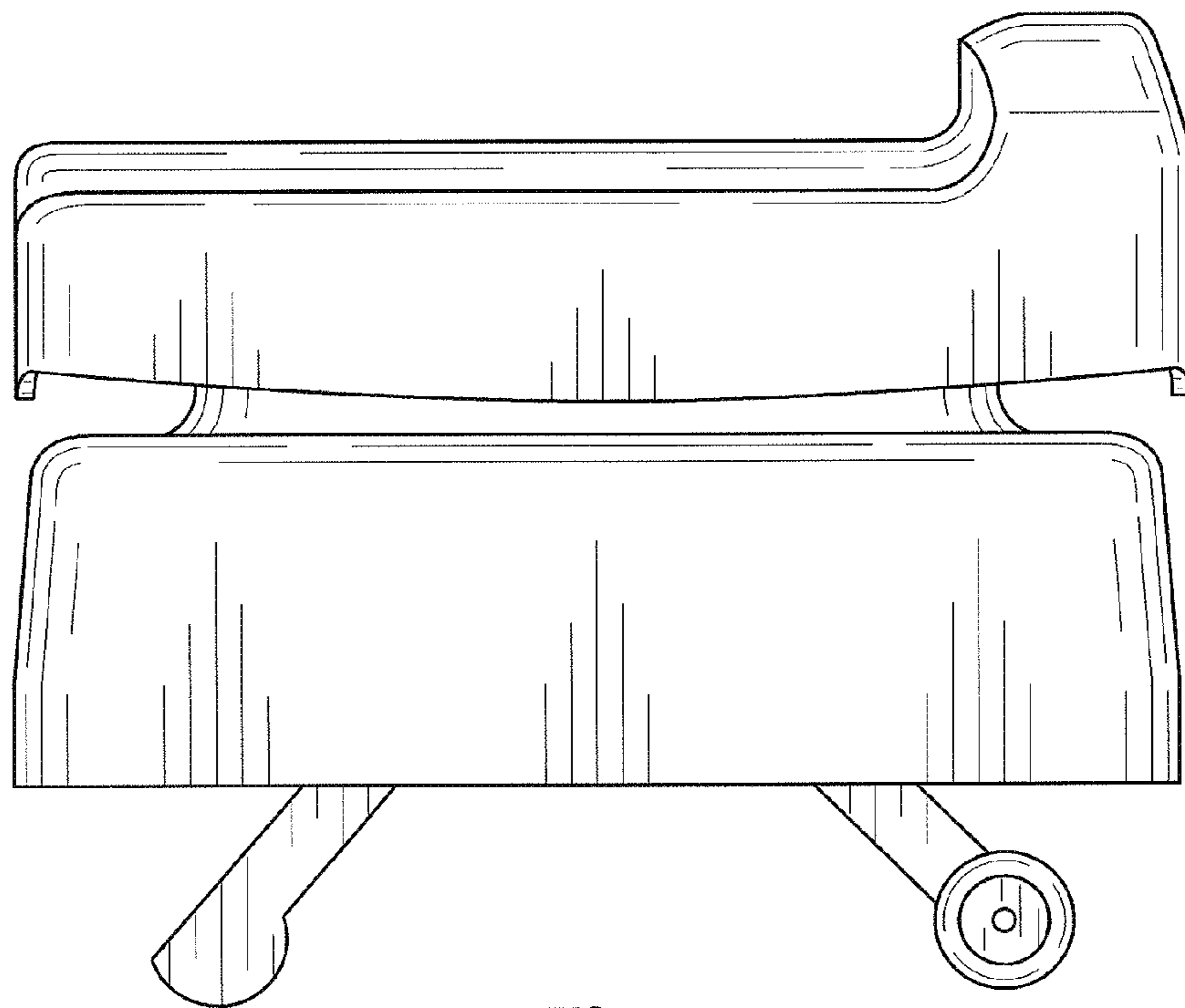
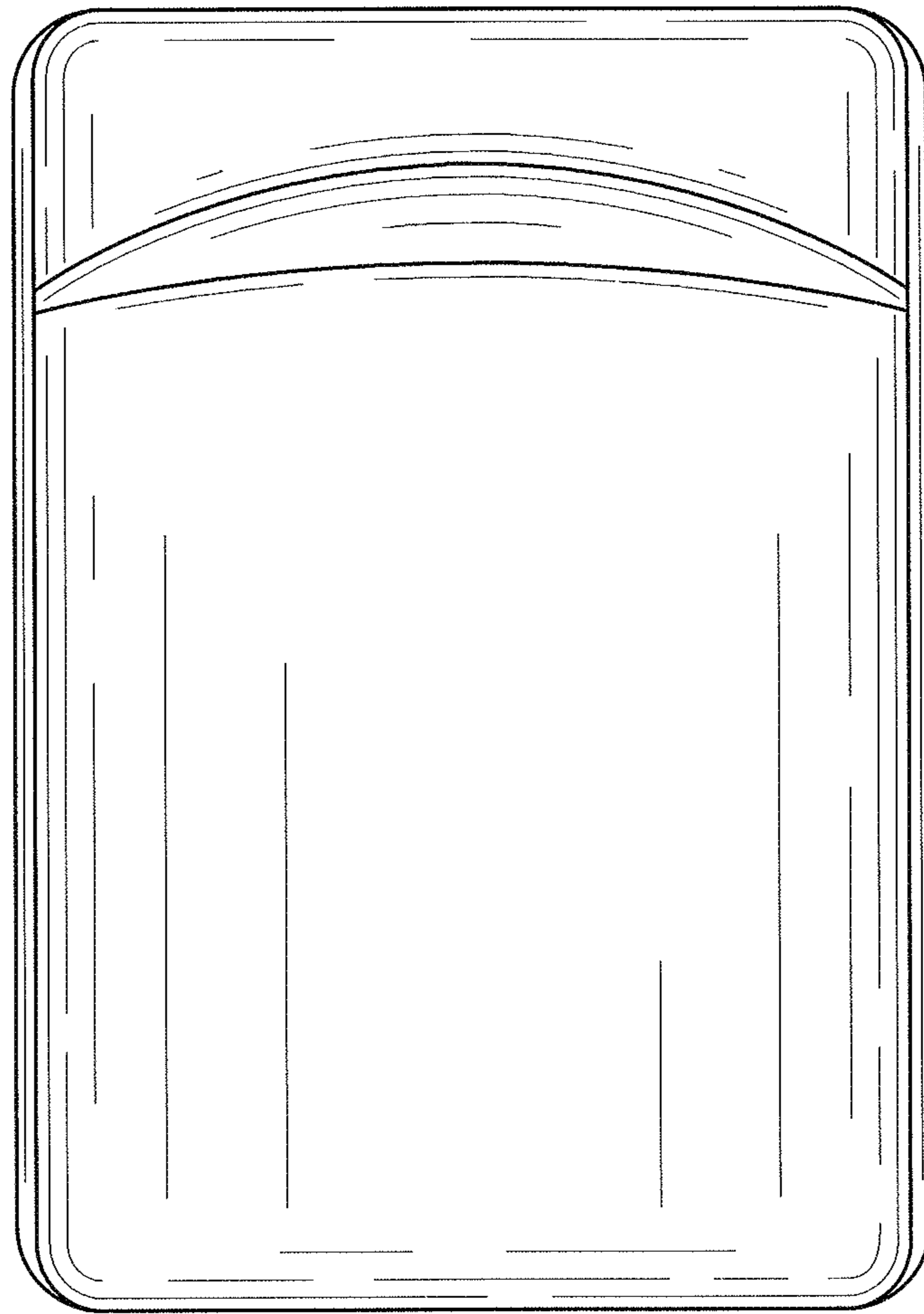


FIG. 5



**FIG. 6**