



US00D767148S

(12) **United States Design Patent** (10) **Patent No.:** **US D767,148 S**  
**Perreault** (45) **Date of Patent:** **\*\* Sep. 20, 2016**

(54) **THERAPY PILLOW**

(71) Applicant: **Lisa Perreault**, Oregon City, OR (US)

(72) Inventor: **Lisa Perreault**, Oregon City, OR (US)

(\*\*) Term: **14 Years**

(21) Appl. No.: **29/504,158**

(22) Filed: **Oct. 2, 2014**

(51) **LOC (10) Cl.** ..... **24-01**

(52) **U.S. Cl.**

USPC ..... **D24/183**; D6/604

(58) **Field of Classification Search**

USPC ..... D24/183, 184; D6/390, 718.13, 601,  
D6/606, 604; 5/636, 640, 643

CPC ..... A61H 2201/0138; A61H 1/001;  
A61H 1/006; A61H 1/008; A61H 1/0022;  
A61H 1/0229; A47G 9/1027; A47G 9/10;  
A47G 9/1072; A47G 9/1081; A47G  
2009/1018; A47G 2009/003

See application file for complete search history.

(56) **References Cited**

**U.S. PATENT DOCUMENTS**

D285,752 S *	9/1986	Sadow .....	5/648
D370,066 S *	5/1996	Kennemore .....	D24/183
D399,086 S *	10/1998	Costantino .....	D6/601
D407,259 S *	3/1999	Jackson .....	D6/601
D416,428 S *	11/1999	Jackson .....	5/644
6,175,979 B1 *	1/2001	Jackson .....	A47C 20/021 5/648
D455,311 S *	4/2002	Fux .....	D6/601
D503,580 S *	4/2005	Donoghue .....	D6/601
D587,507 S *	3/2009	Martin .....	D6/604
D606,355 S *	12/2009	Zhang .....	D6/601
D651,840 S *	1/2012	Davis, III .....	D6/601
D658,421 S *	5/2012	Williams .....	D6/604
D663,426 S *	7/2012	Davis, III .....	D24/183

D711,000 S *	8/2014	Ravikumar .....	D24/184
2003/0159218 A1 *	8/2003	Lin .....	A47C 4/54 5/710
2005/0155154 A1 *	7/2005	Kasatshko .....	A47C 4/54 5/713
2008/0109961 A1 *	5/2008	Yu .....	A47G 9/10 5/636
2011/0173754 A1 *	7/2011	Calder .....	A47G 9/1027 5/644
2016/0106225 A1 *	4/2016	Ham .....	A47C 27/082 5/655.3

**OTHER PUBLICATIONS**

Jobri.com: WondaWedge Air Inflatable Wedge. Retrieved from the internet at <<http://www.jobri.com/product-category/sleep-products/memory-foam/>>, Jun. 16, 2017. 2 pages.\*

\* cited by examiner

*Primary Examiner* — Rosemary K Tarcza

*Assistant Examiner* — Christy Nemeth

(74) *Attorney, Agent, or Firm* — Mohr Intellectual Property Law Solutions, PC

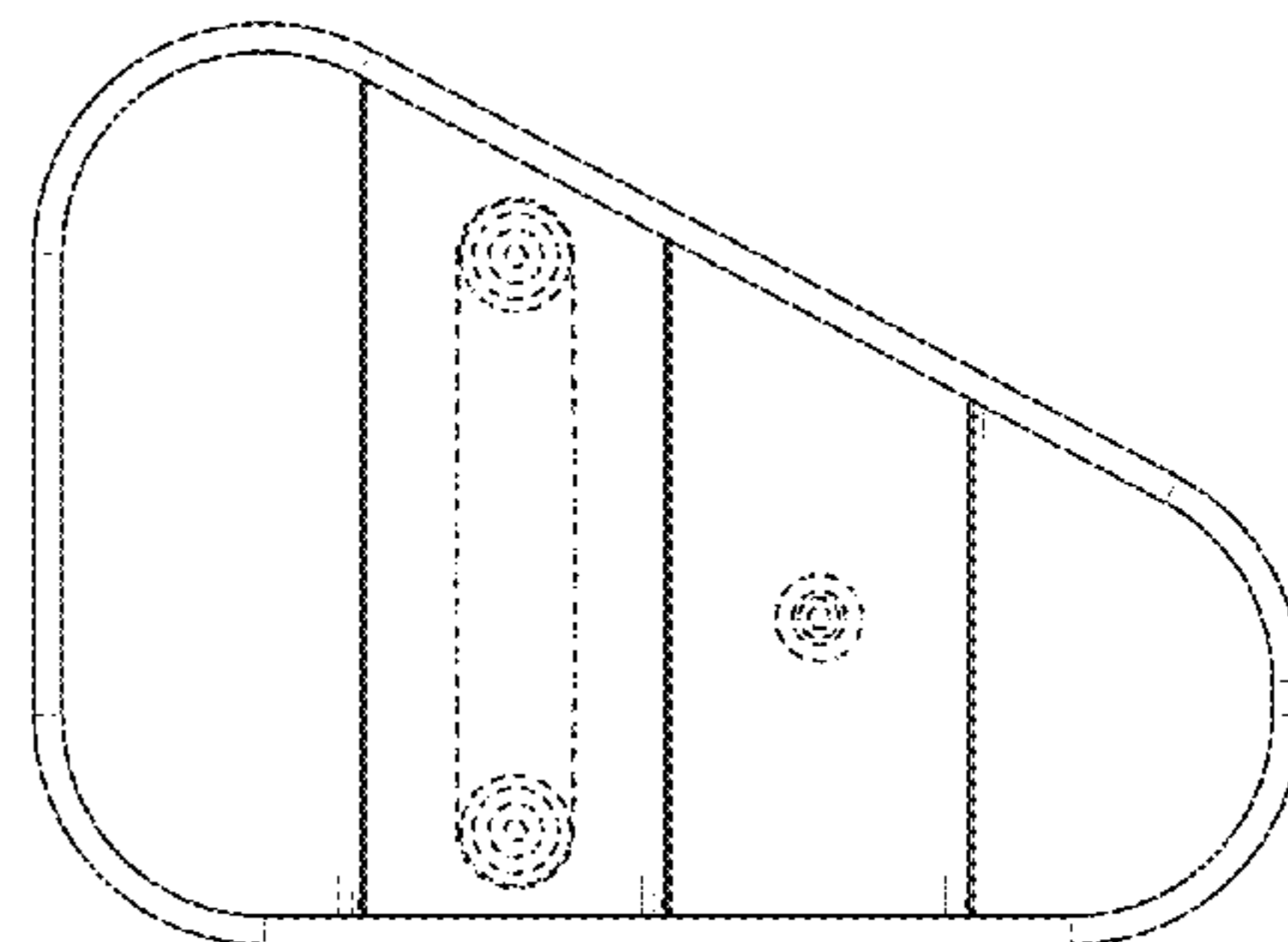
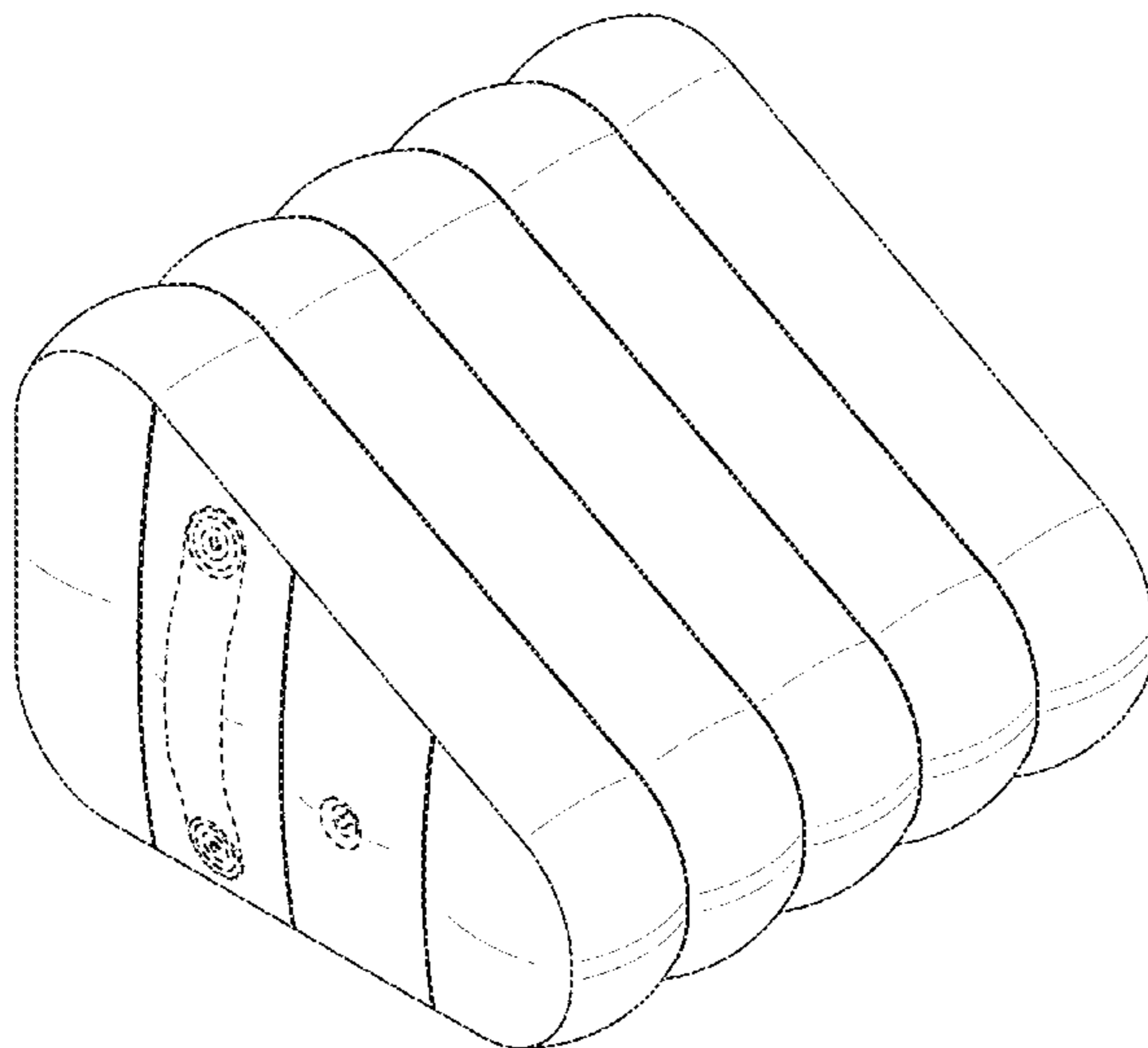
(57) **CLAIM**

I claim the ornamental design for a therapy pillow, as shown and described.

**DESCRIPTION**

FIG. 1 is perspective view of a therapy pillow.  
FIG. 2 is a front elevation view of the therapy pillow.  
FIG. 3 is a rear elevation view of the therapy pillow.  
FIG. 4 is a left side elevation view of the therapy pillow.  
FIG. 5 is a right side elevation view of the therapy pillow.  
FIG. 6 is a top elevation view of the therapy pillow; and,  
FIG. 7 is a bottom elevation view of the therapy pillow.  
The broken lines in the drawings illustrate portions of the therapy pillow that form no part of the claimed design.

**1 Claim, 5 Drawing Sheets**



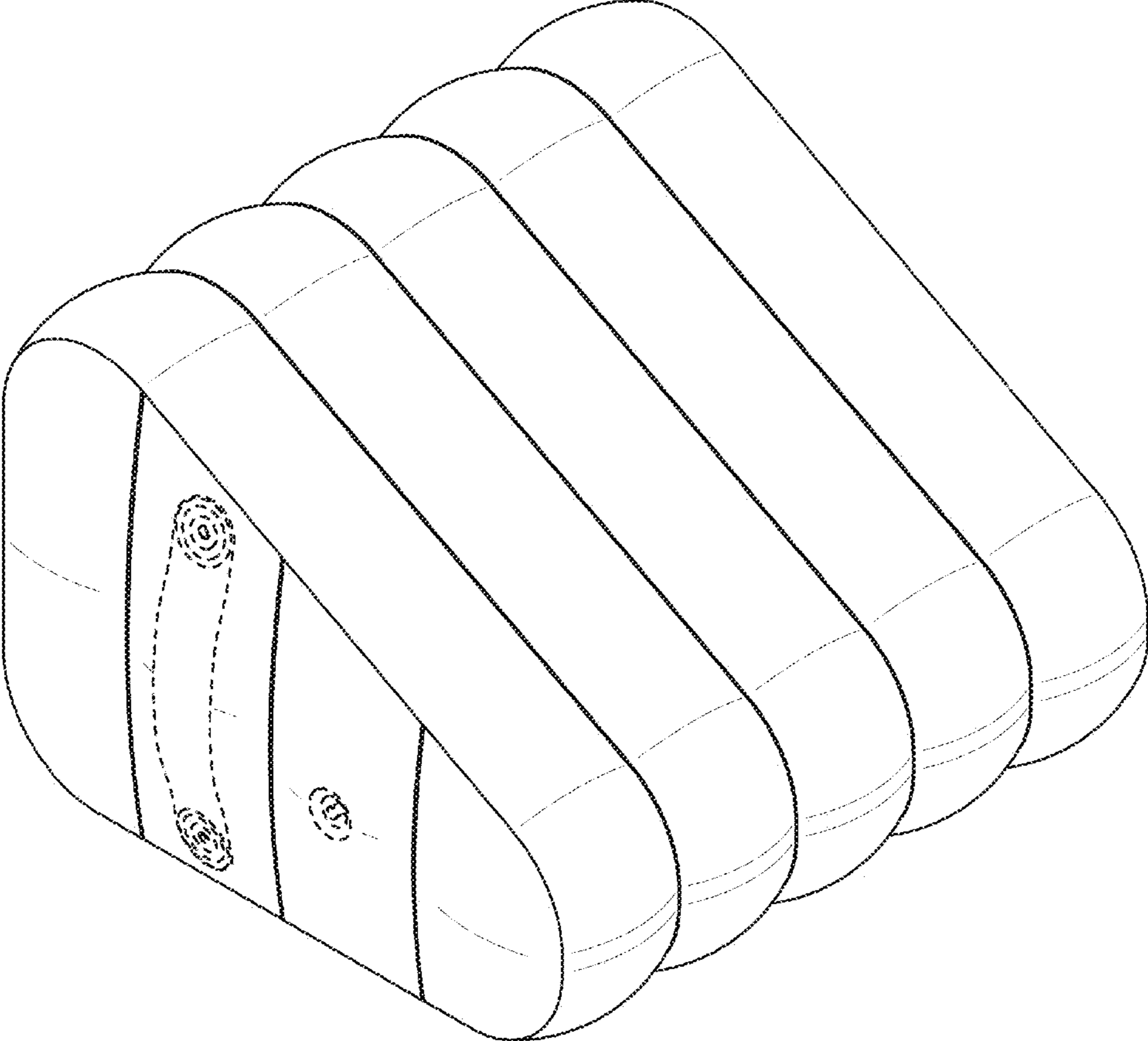


FIG.1

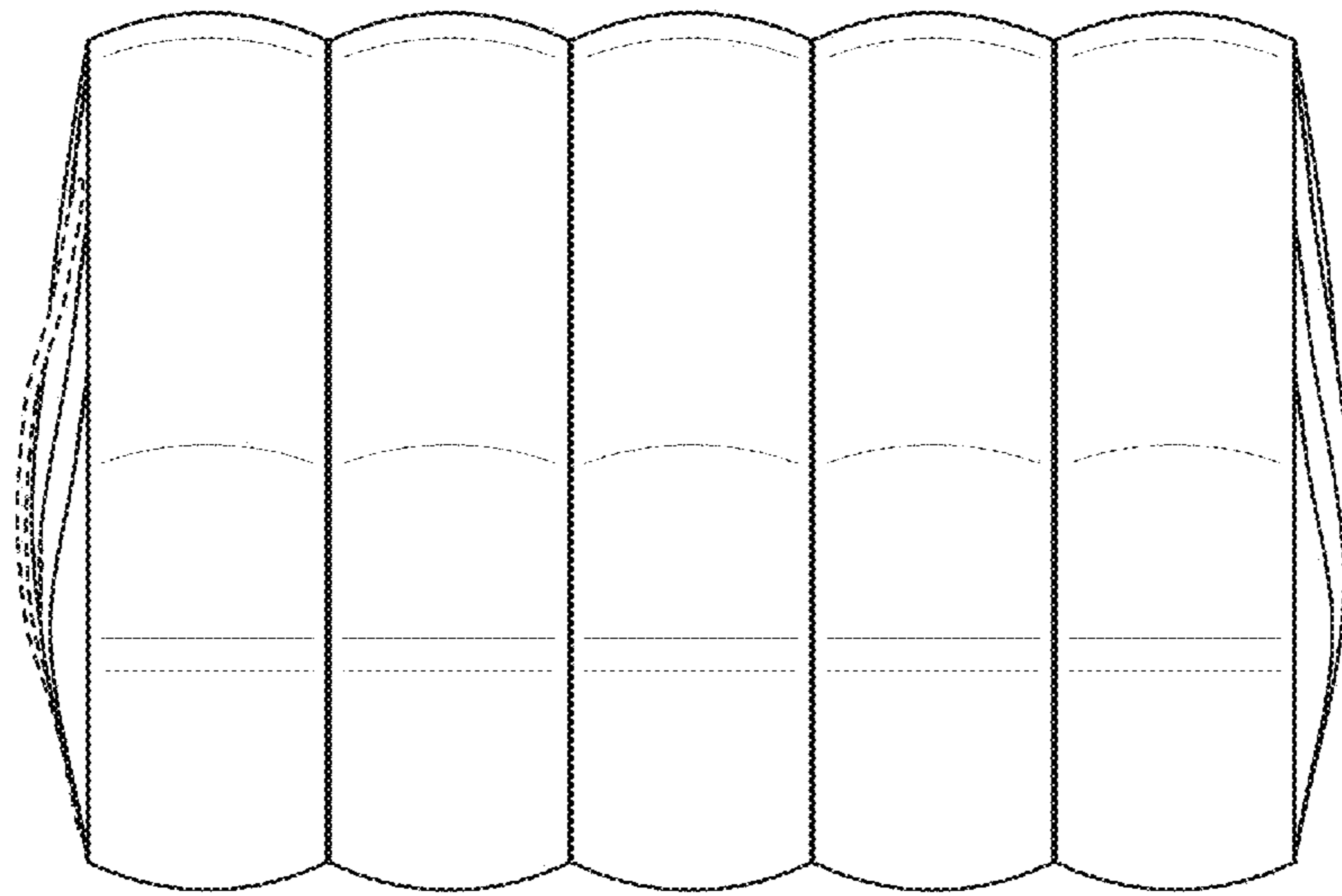


FIG. 2

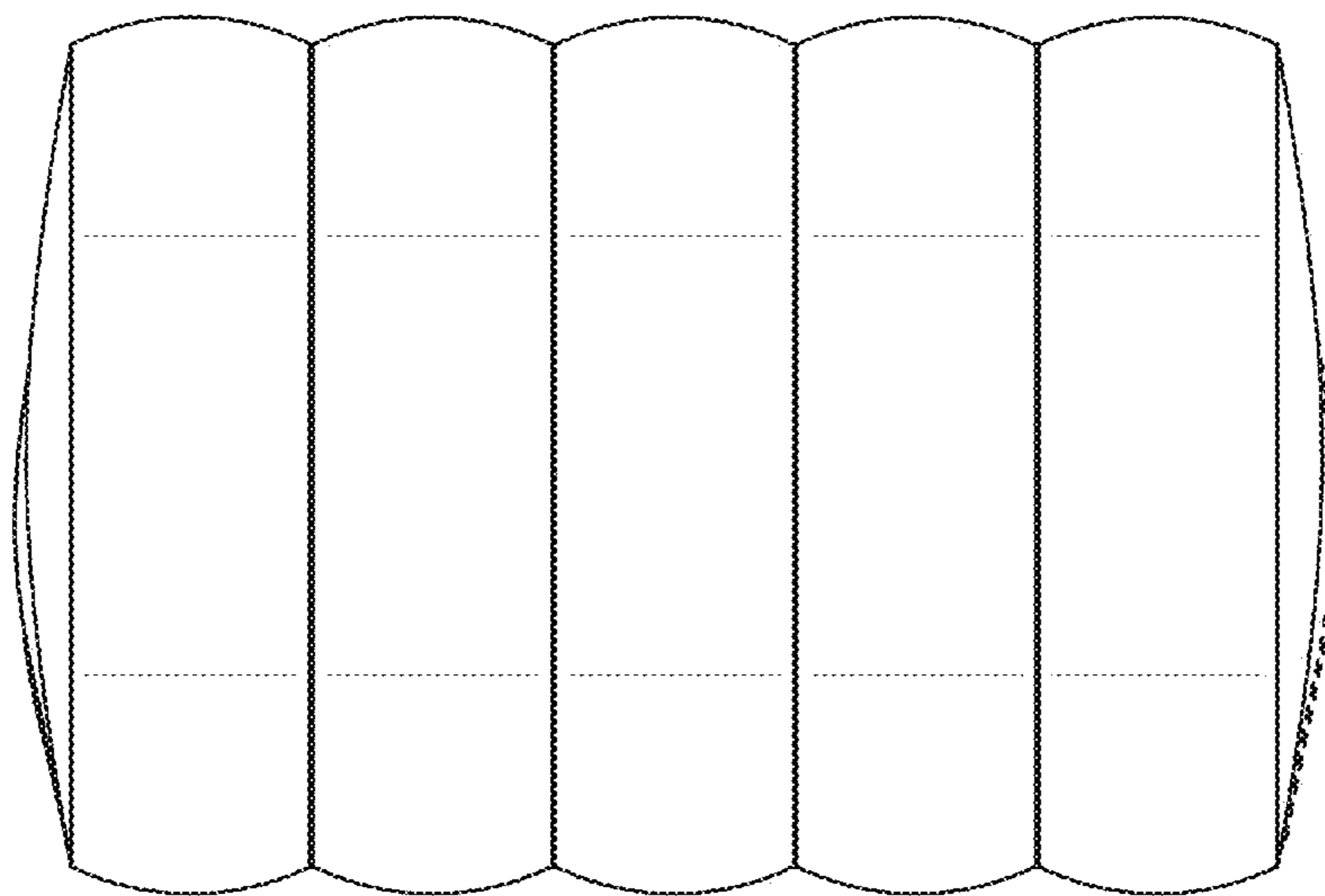


FIG. 3

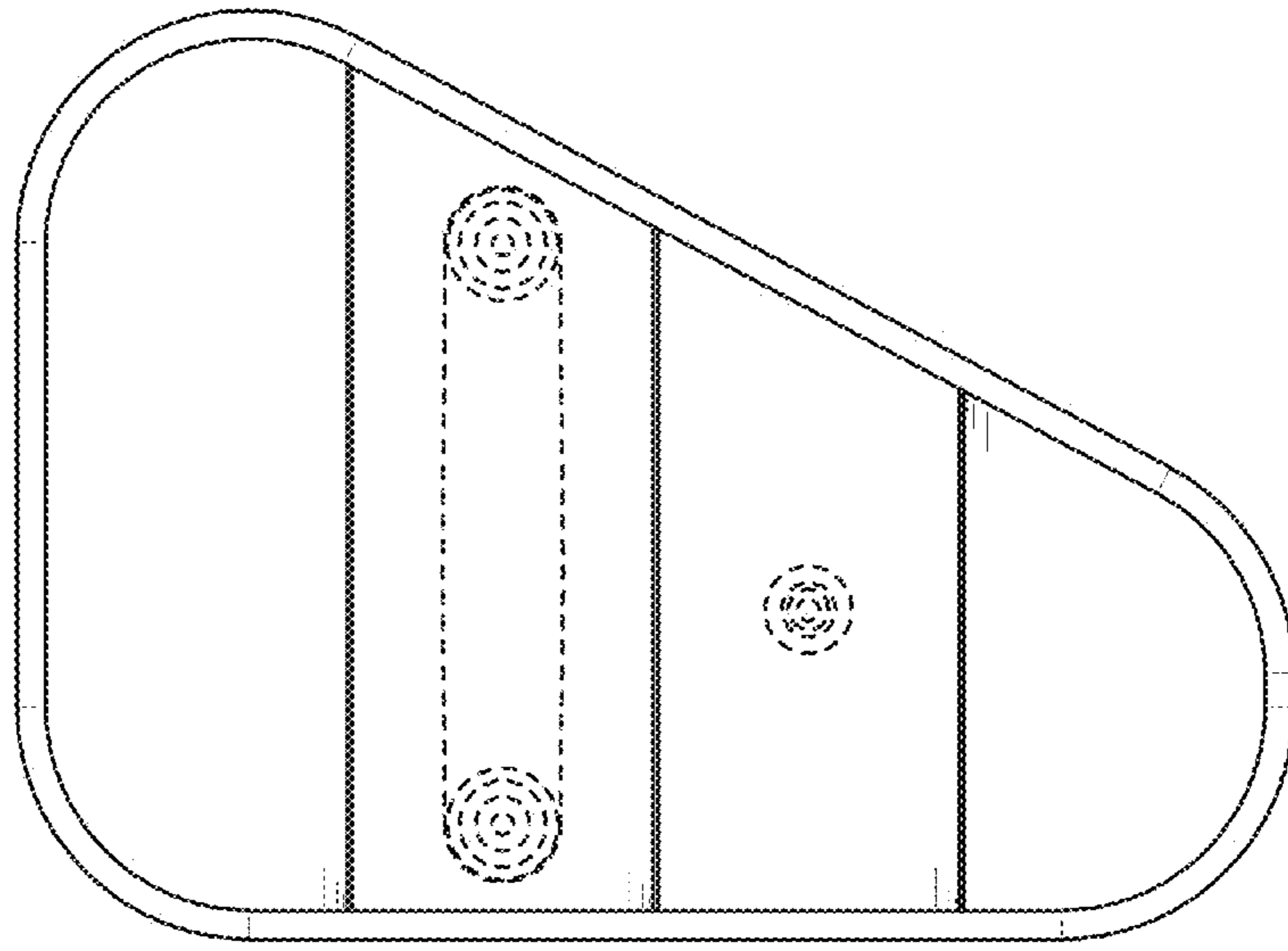


FIG. 4

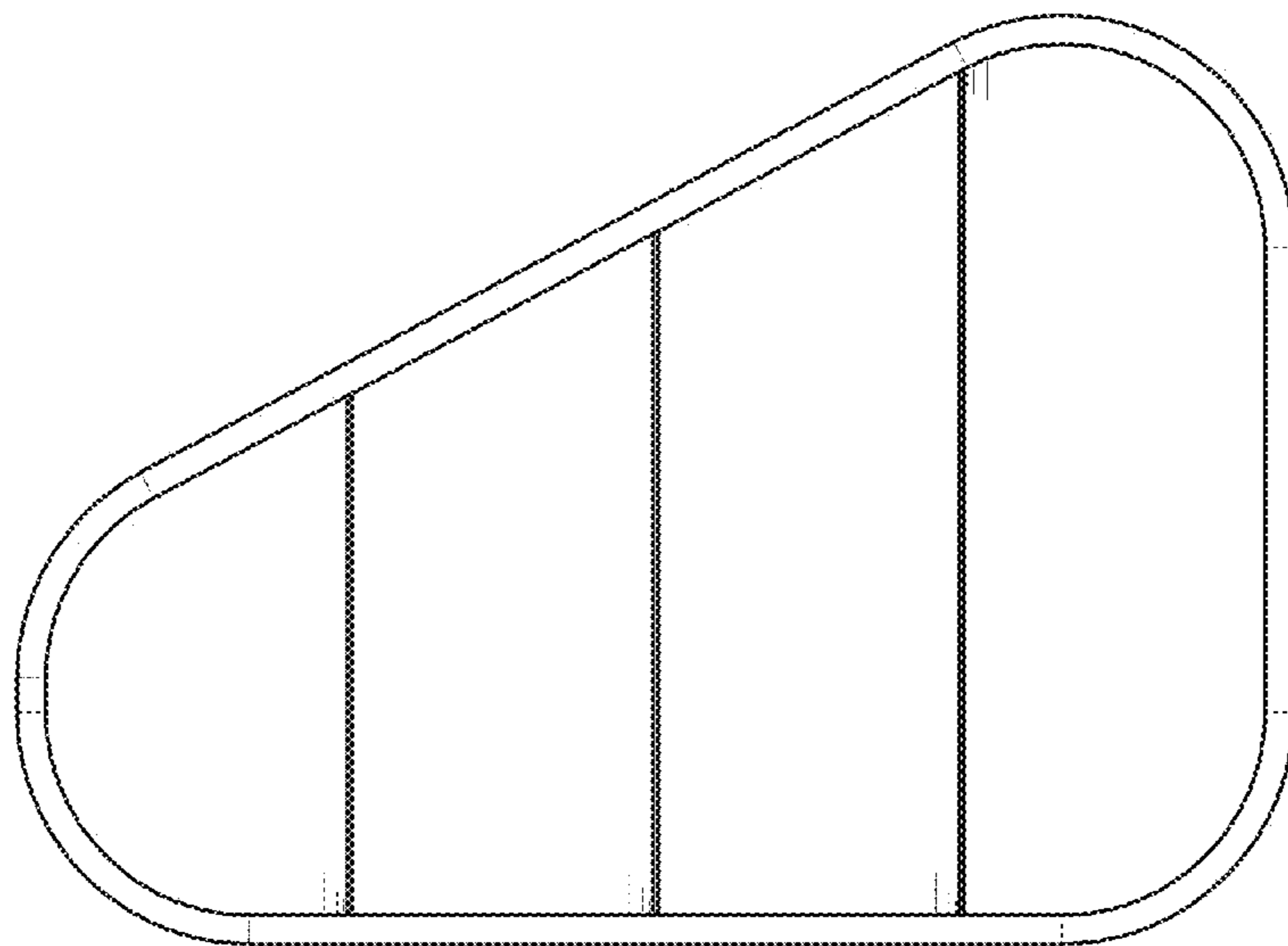


FIG. 5

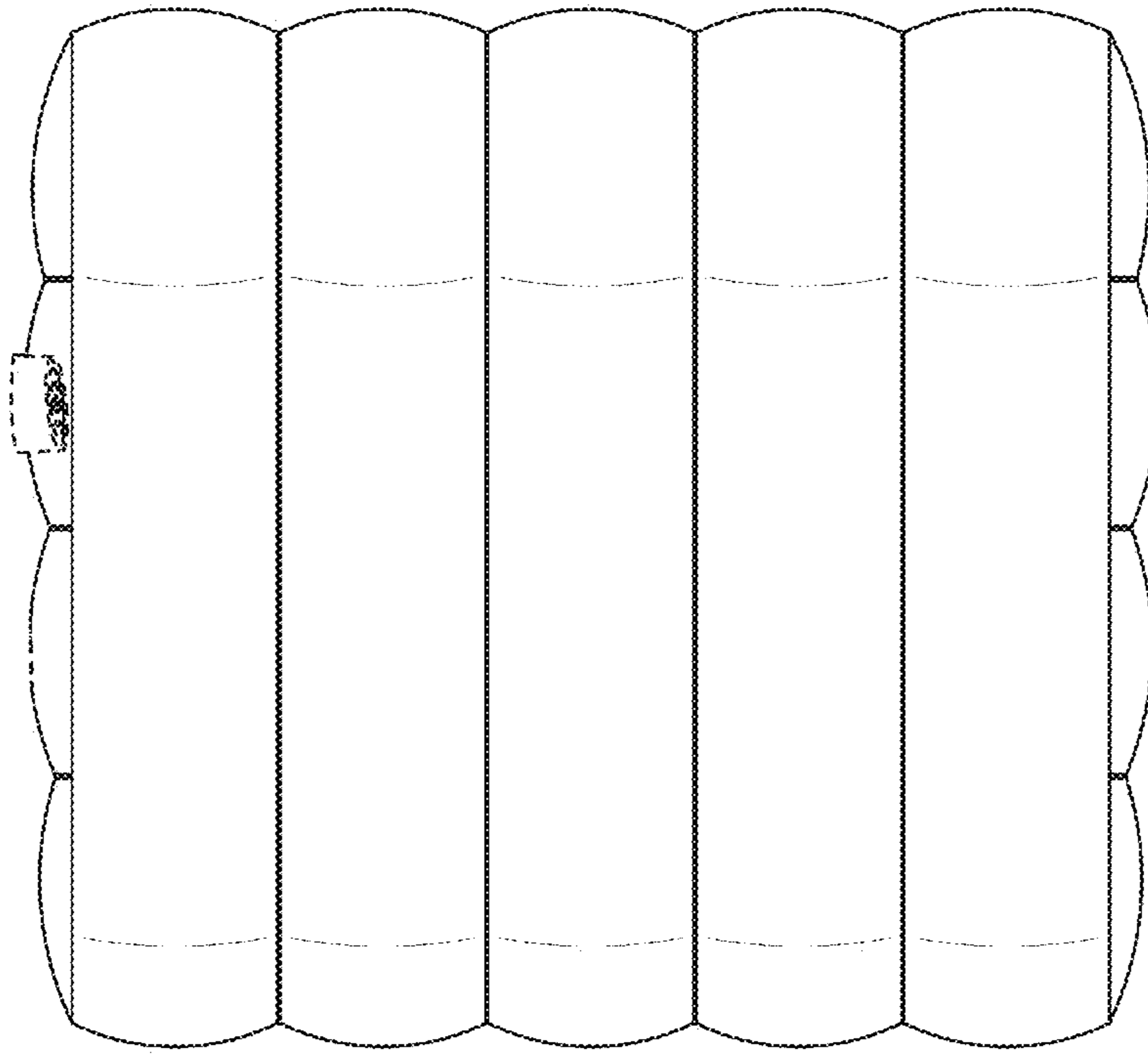


FIG.6

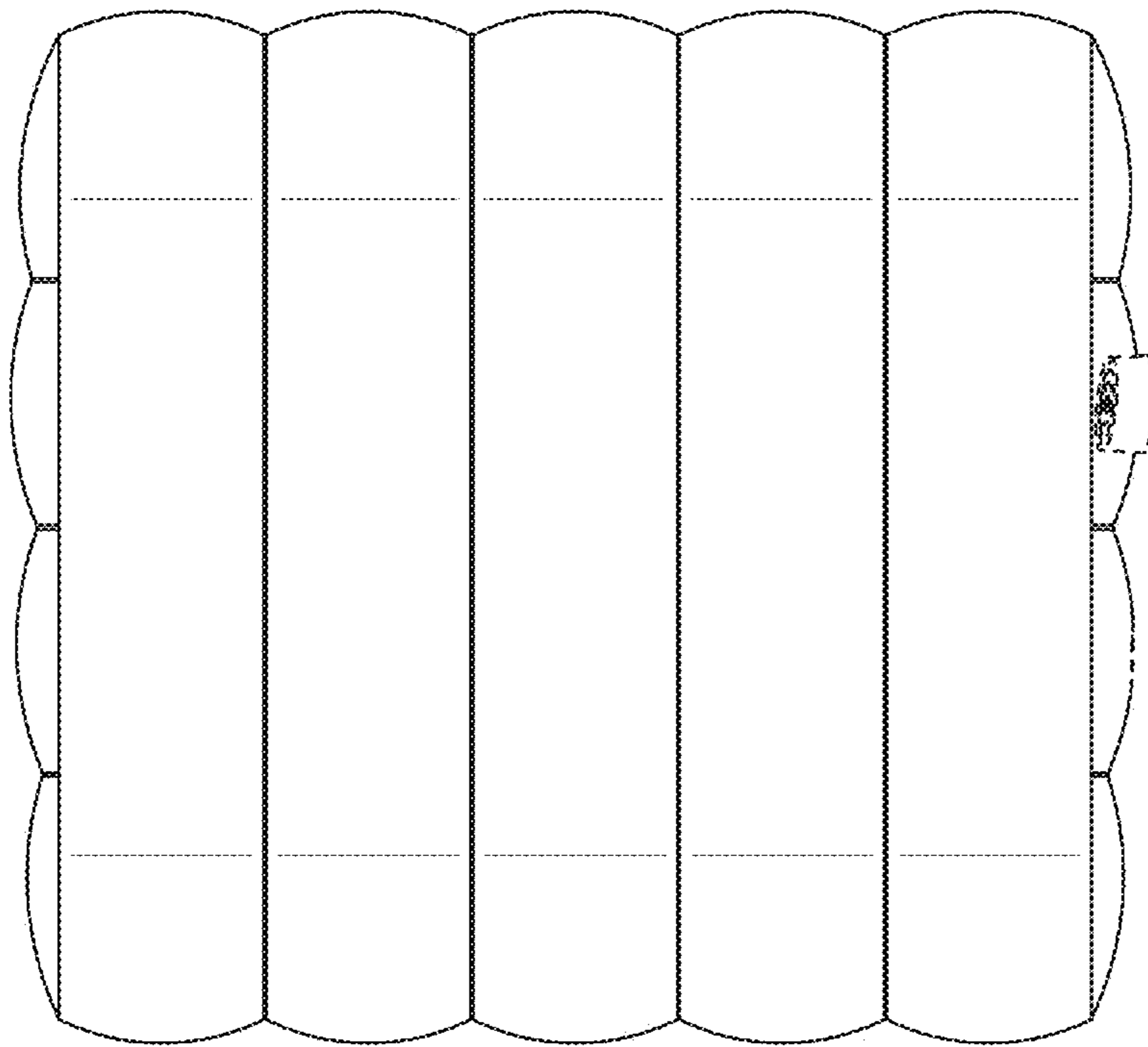


FIG. 7