

US00D767145S

(12) **United States Design Patent**  
**Liu et al.**

(10) **Patent No.:** **US D767,145 S**  
(45) **Date of Patent:** **\*\* Sep. 20, 2016**

(54) **FINGER-CLIPPED OXIMETER**  
(71) Applicant: **Beijing Choice Electronic Technology Co., Ltd., Beijing (CN)**  
(72) Inventors: **Shuhai Liu, Beijing (CN); Hongliang Liu, Beijing (CN)**  
(73) Assignee: **Beijing Choice Electronic Technology Co., Ltd., Beijing (CN)**

6,006,120 A \* 12/1999 Levin ..... A61B 5/14552  
600/323  
D444,235 S \* 6/2001 Roberts ..... D24/169  
D455,834 S \* 4/2002 Donars ..... D24/169  
D610,688 S \* 2/2010 Donars ..... D24/169  
D615,655 S \* 5/2010 Maser ..... D24/169  
D691,726 S \* 10/2013 Jin ..... D24/167  
D718,455 S \* 11/2014 Maser ..... D24/169  
D735,869 S \* 8/2015 Marzynski ..... D24/186  
2015/0045638 A1\* 2/2015 Liu ..... A61B 5/6826  
600/324

(\*\*) Term: **15 Years**

\* cited by examiner

(21) Appl. No.: **29/527,336**

*Primary Examiner* — Anhdao Doan

(22) Filed: **May 18, 2015**

(74) *Attorney, Agent, or Firm* — The Webb Law Firm

(30) **Foreign Application Priority Data**

Nov. 18, 2014 (CN) ..... 2014 3 0454457

(51) **LOC (10) Cl.** ..... **24-01**

(52) **U.S. Cl.**  
USPC ..... **D24/169**

(58) **Field of Classification Search**  
USPC ..... D24/216, 223, 231, 232, 107, 165–169,  
D24/186; D10/46, 75, 81  
CPC .... G01N 33/66; G01N 33/49; G01N 33/493;  
A61B 5/14532; A61B 5/14552; A61B  
5/6625; A61B 5/6626  
See application file for complete search history.

(56) **References Cited**

**U.S. PATENT DOCUMENTS**

D371,198 S \* 6/1996 Savage ..... D13/168  
D392,740 S \* 3/1998 Yung ..... D24/169

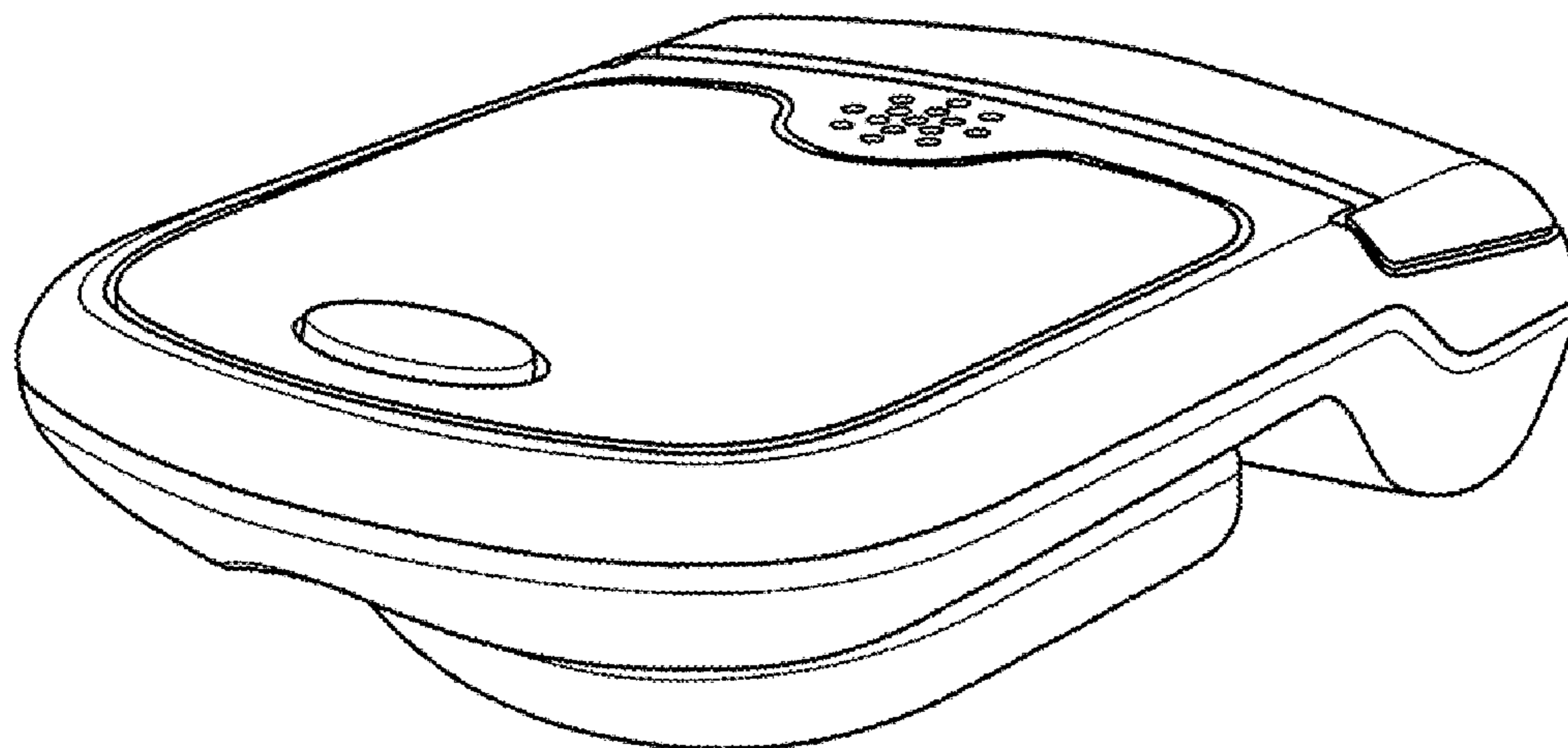
(57) **CLAIM**

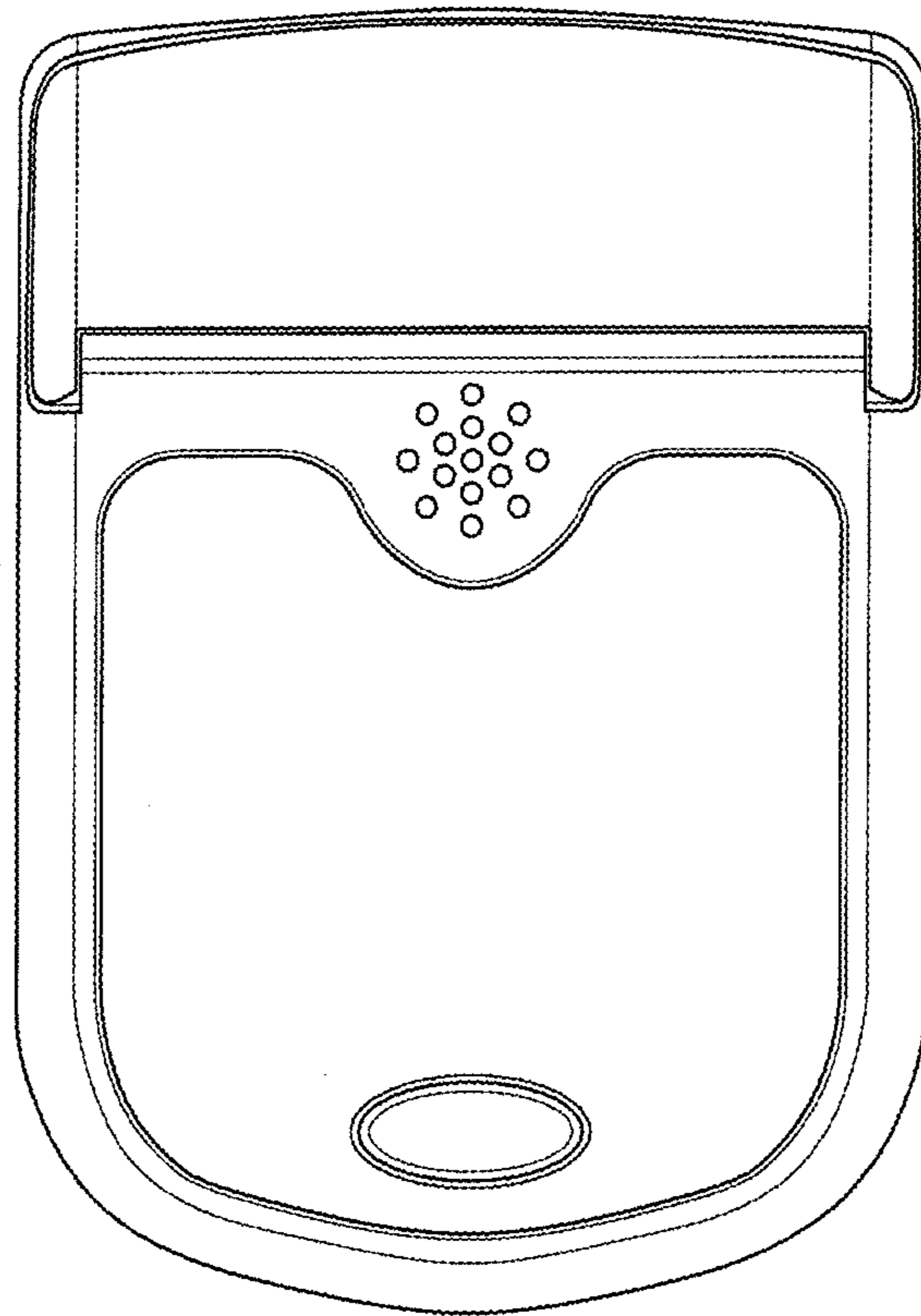
The ornamental design for a finger-clipped oximeter, as shown and described.

**DESCRIPTION**

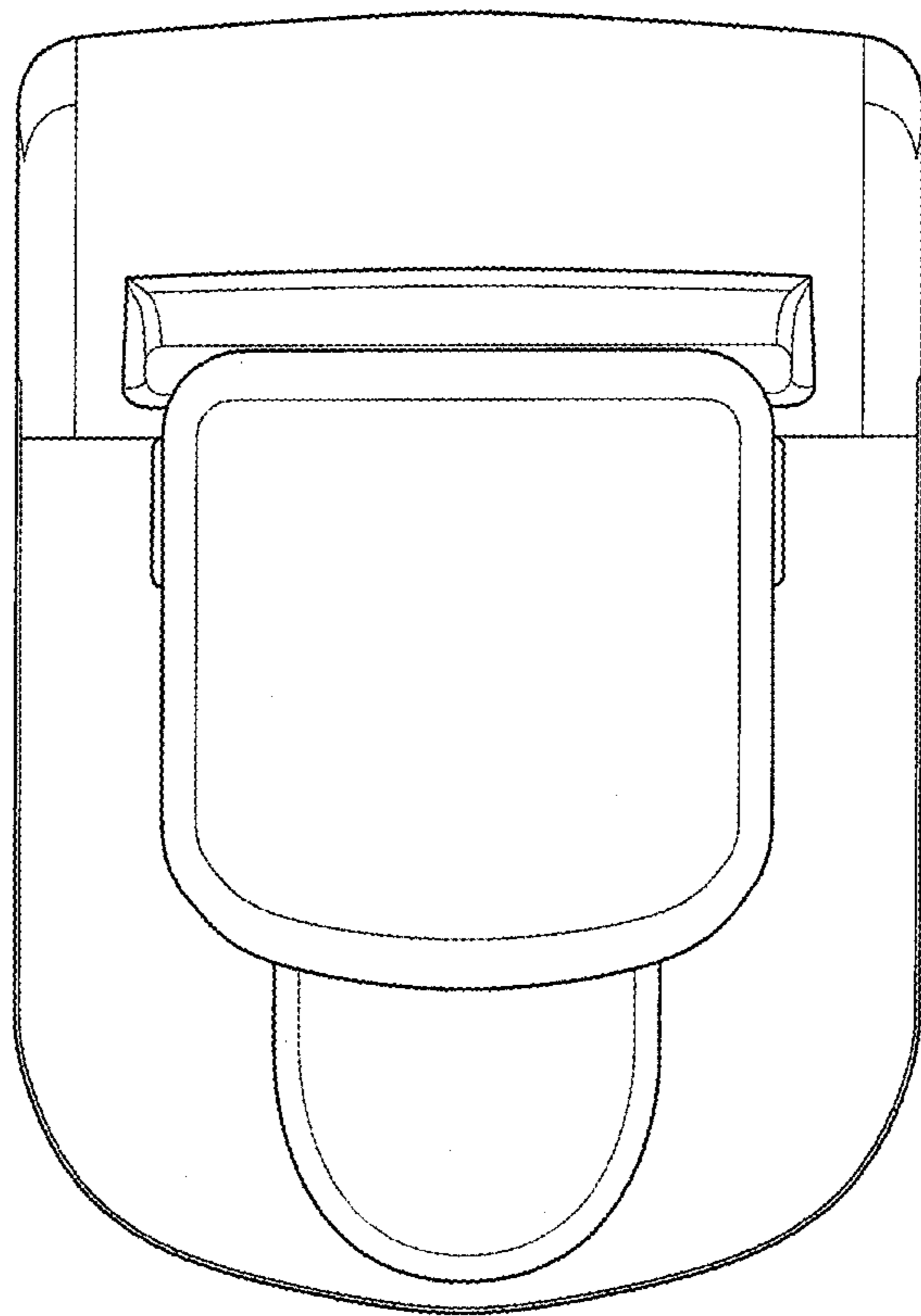
FIG. 1 is a front view of a finger-clipped oximeter, showing our new design;  
FIG. 2 is a rear view thereof;  
FIG. 3 is a left side view thereof;  
FIG. 4 is a right side view thereof;  
FIG. 5 is a top view thereof;  
FIG. 6 is a bottom view thereof; and,  
FIG. 7 is a perspective view thereof.

**1 Claim, 7 Drawing Sheets**

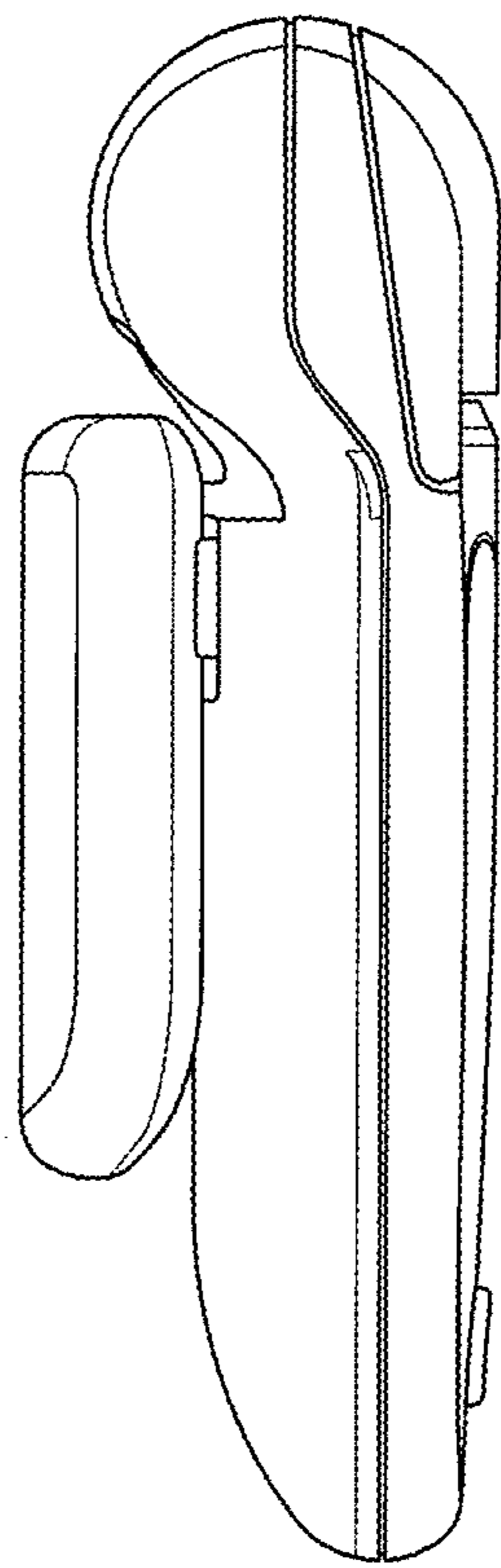




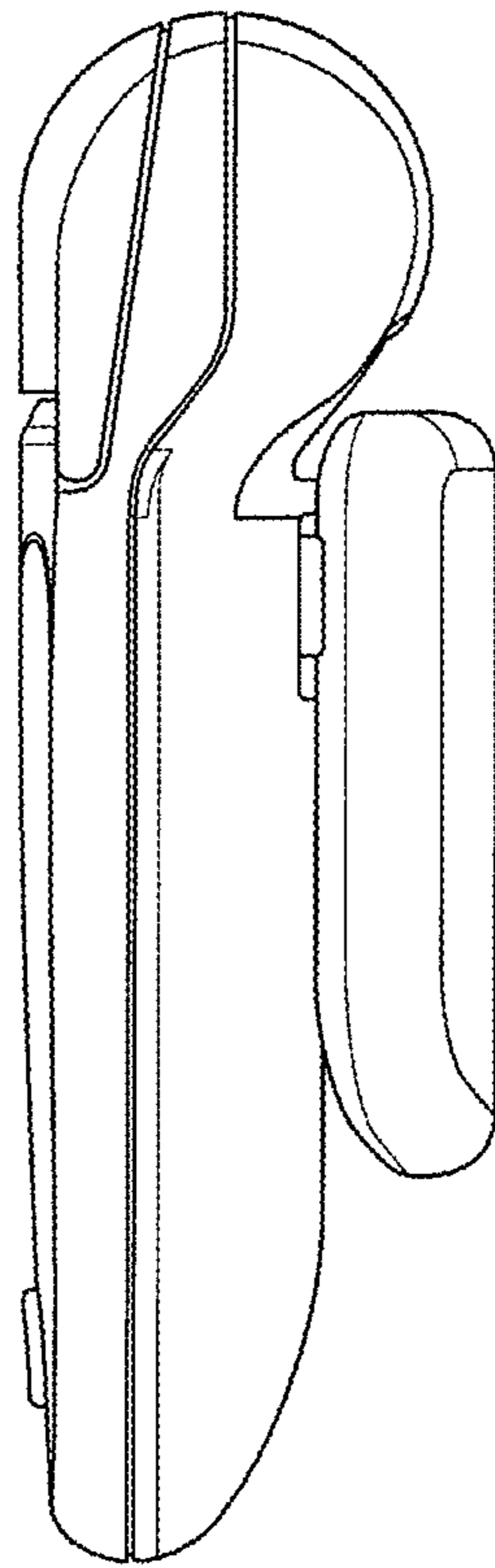
**FIG. 1**



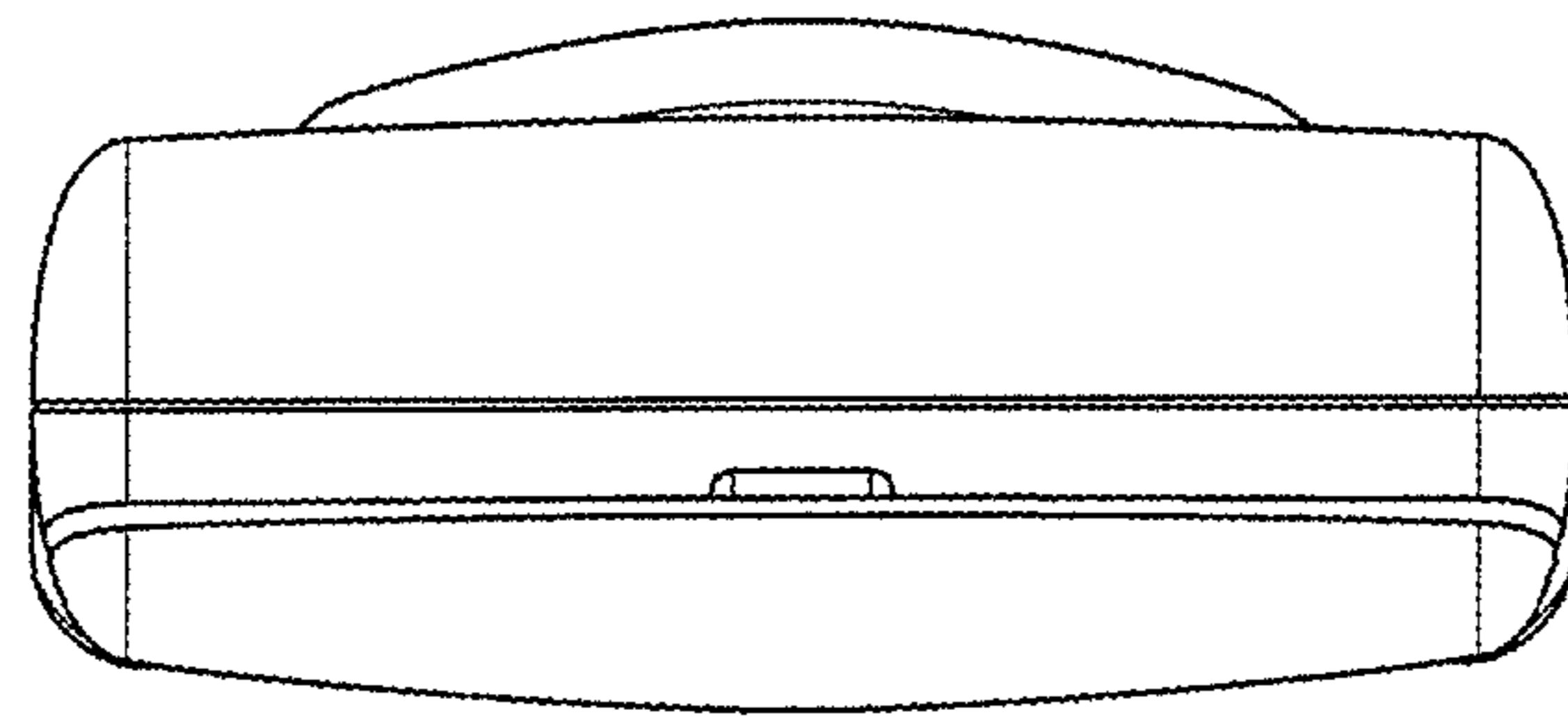
**FIG. 2**



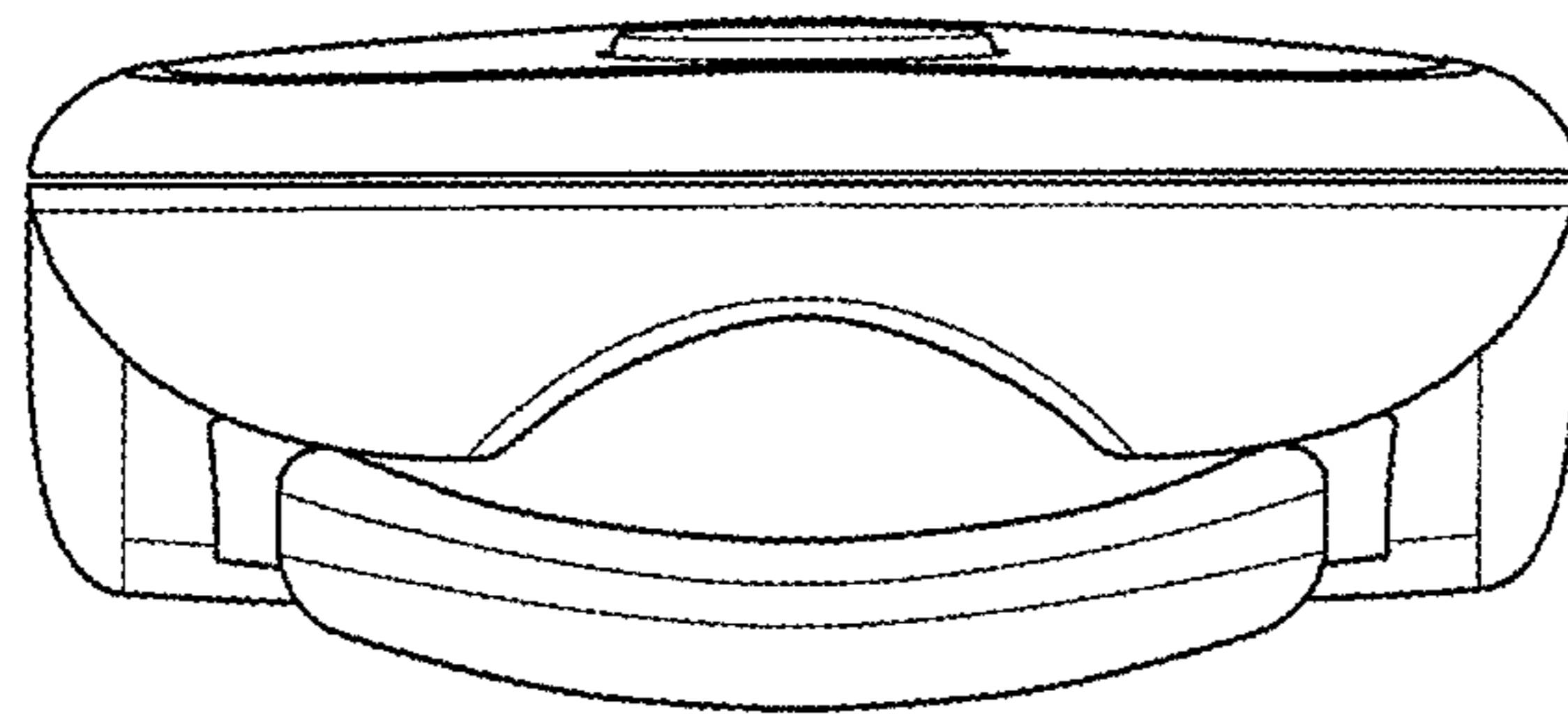
**FIG. 3**



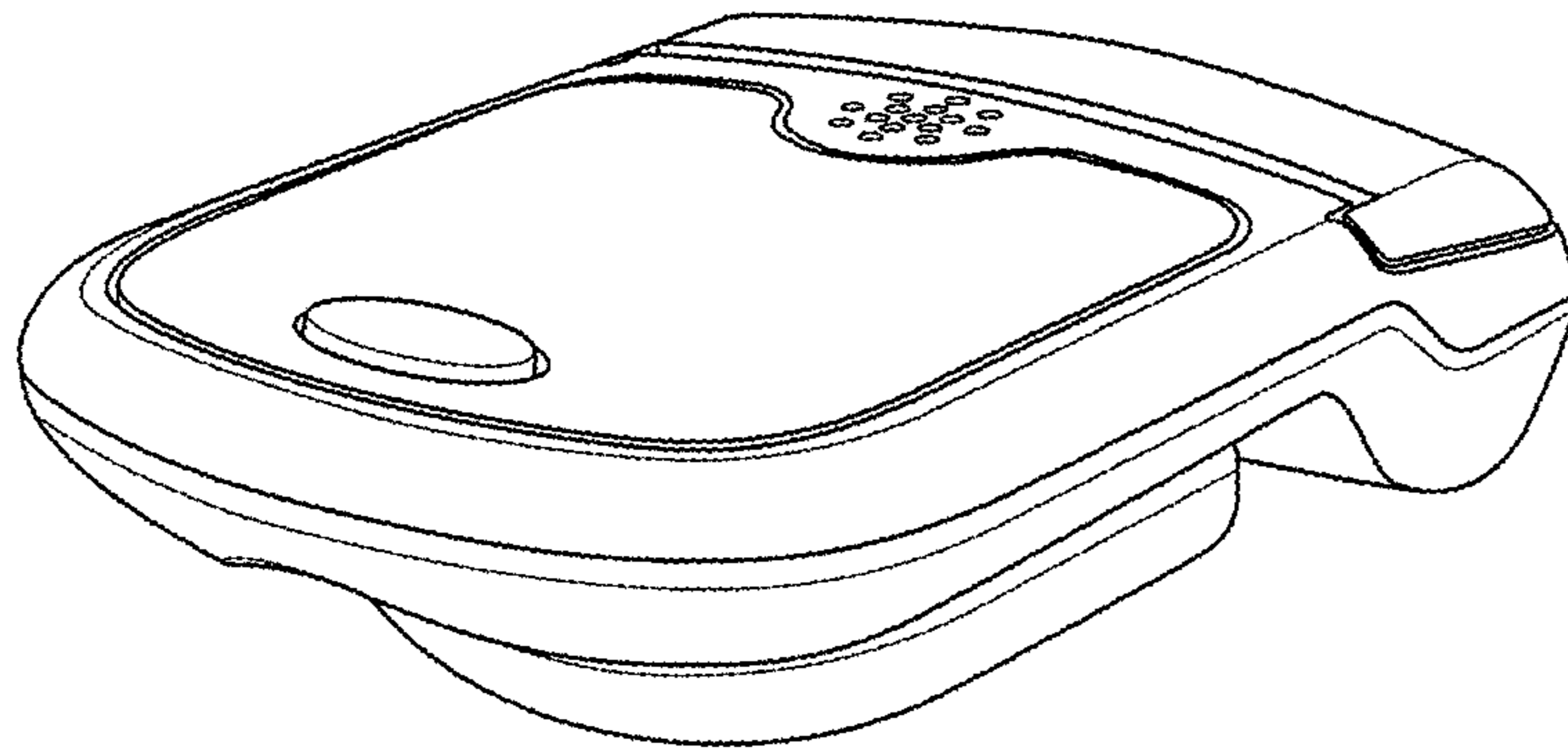
**FIG. 4**



**FIG. 5**



**FIG. 6**



**FIG. 7**