



US00D767142S

(12) **United States Design Patent** (10) **Patent No.:** **US D767,142 S**
Mizumura et al. (45) **Date of Patent:** **** Sep. 20, 2016**

(54) **X-RAY TUBE FOR MEDICAL USE**

(71) Applicants: **Kabushiki Kaisha Toshiba**, Minato-ku, Tokyo (JP); **Toshiba Electron Tubes & Devices Co., Ltd.**, Otawara, Tochigi (JP)

(72) Inventors: **Yuki Mizumura**, Otawara (JP); **Masaji Kanagami**, Utsunomiya (JP)

(73) Assignee: **Toshiba Electron Tubes & Devices Co., Ltd.**, Otawara, Tochigi (JP)

(**) Term: **15 Years**

(21) Appl. No.: **29/537,932**

(22) Filed: **Aug. 31, 2015**

(30) **Foreign Application Priority Data**

May 25, 2015 (JP) 2015-011398
May 25, 2015 (JP) 2015-011425

(51) **LOC (10) Cl.** **24-01**

(52) **U.S. Cl.**
USPC **D24/158**

(58) **Field of Classification Search**
USPC D24/158-161, 186, 107, 209, 210;
D13/180
CPC H05G 1/02; H05G 1/025; H05G 1/04;
H05G 1/06; H05G 1/10; H01J 2235/068
See application file for complete search history.

(56) **References Cited**

U.S. PATENT DOCUMENTS

D176,113 S * 11/1955 Graves D24/158
D177,540 S * 4/1956 Waggoner et al. D24/158
D223,220 S * 3/1972 Johnson et al. D24/158
D290,500 S * 6/1987 Makas D24/158
7,001,070 B2 * 2/2006 Kendall H05G 1/025
378/200

D554,755 S * 11/2007 Iwasaki D24/158
D671,216 S * 11/2012 Moon D24/158
D671,217 S * 11/2012 Moon D24/158
D702,351 S * 4/2014 Li D24/158
D726,920 S * 4/2015 Ishihara D24/158
D726,921 S * 4/2015 Ishihara D24/158
2007/0098144 A1 * 5/2007 Zhang H05G 1/025
378/200
2008/0187106 A1 * 8/2008 Grady H05G 1/04
378/144

* cited by examiner

Primary Examiner — Anhdao Doan

(74) *Attorney, Agent, or Firm* — Banner & Witcoff, Ltd.

(57) **CLAIM**

The ornamental design for a X-Ray tube for medical use, as shown and described.

DESCRIPTION

FIG. 1 is a perspective view of a X-ray tube for medical use showing our new design according to a first embodiment thereof,

FIG. 2 is a front elevational view thereof,

FIG. 3 is a rear elevational view thereof,

FIG. 4 is a top plan view thereof,

FIG. 5 is a bottom plan view thereof,

FIG. 6 is a left side elevational view thereof,

FIG. 7 is a right side elevational view thereof,

FIG. 8 is a perspective view of a X-ray tube for medical use showing our new design according to a second embodiment thereof,

FIG. 9 is a front elevational view thereof,

FIG. 10 is a rear elevational view thereof,

FIG. 11 is a top plan view thereof,

FIG. 12 is a bottom plan view thereof,

FIG. 13 is a left side elevational view thereof, and,

FIG. 14 is a right side elevational view thereof.

1 Claim, 8 Drawing Sheets

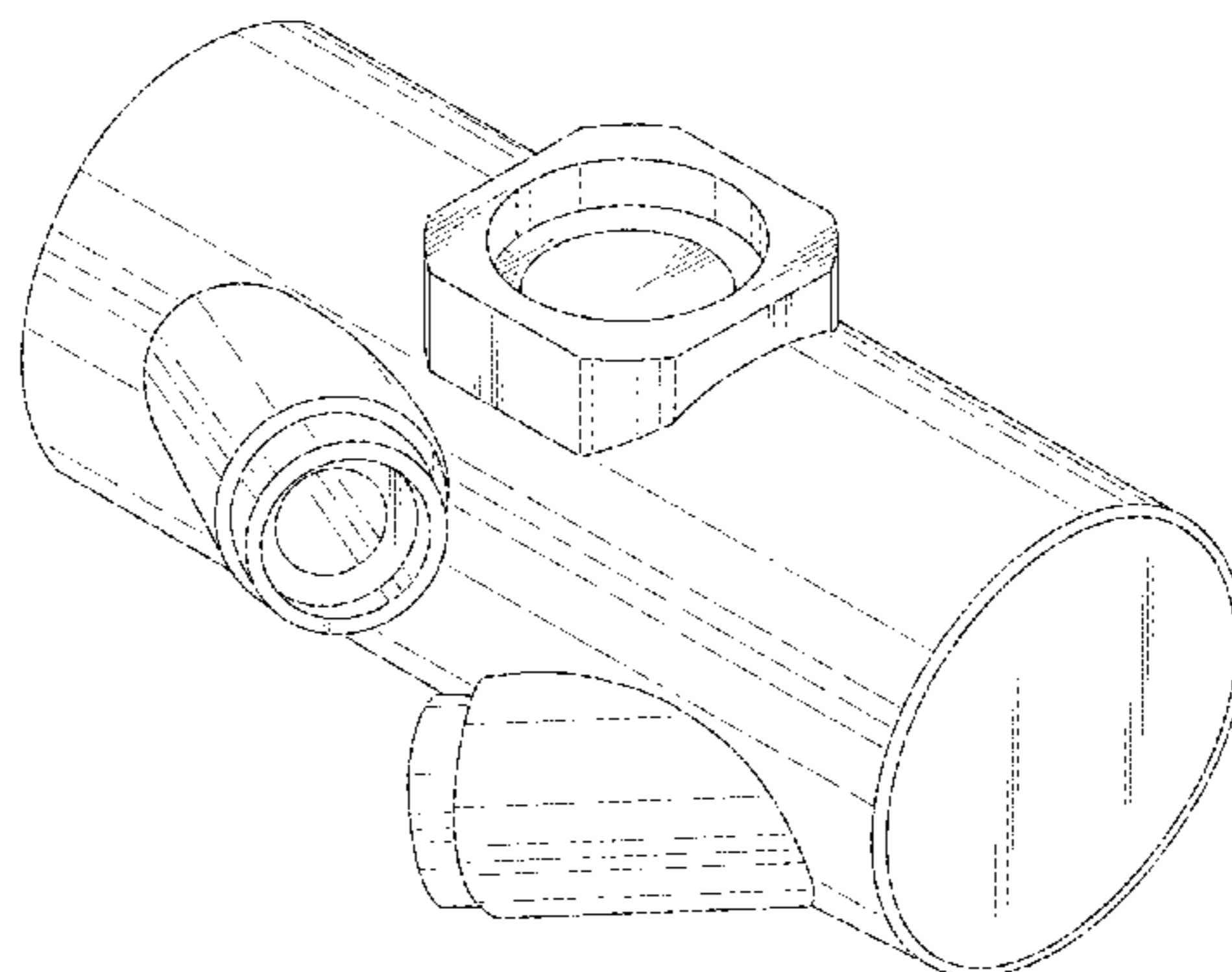


Fig. 1

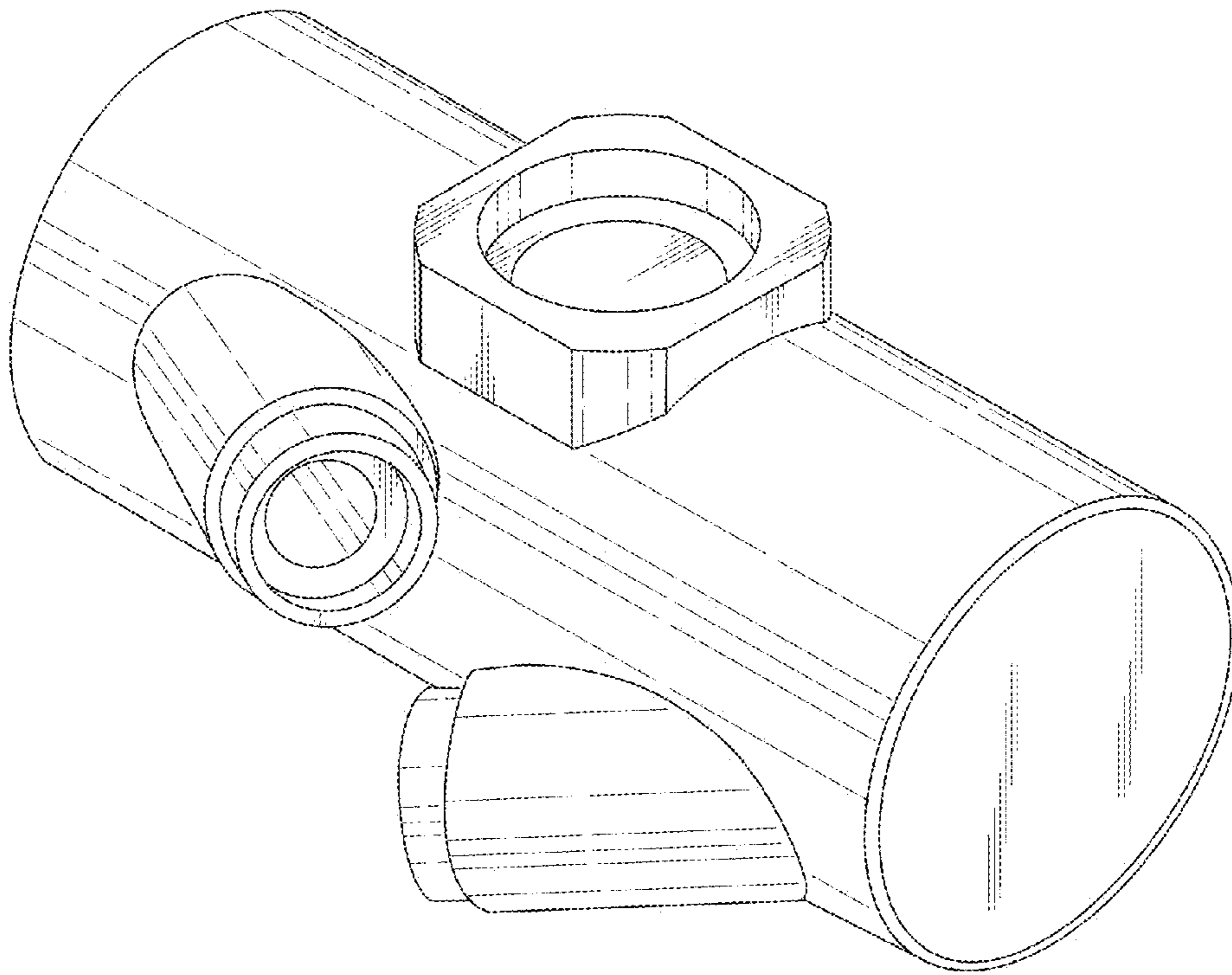


Fig. 2

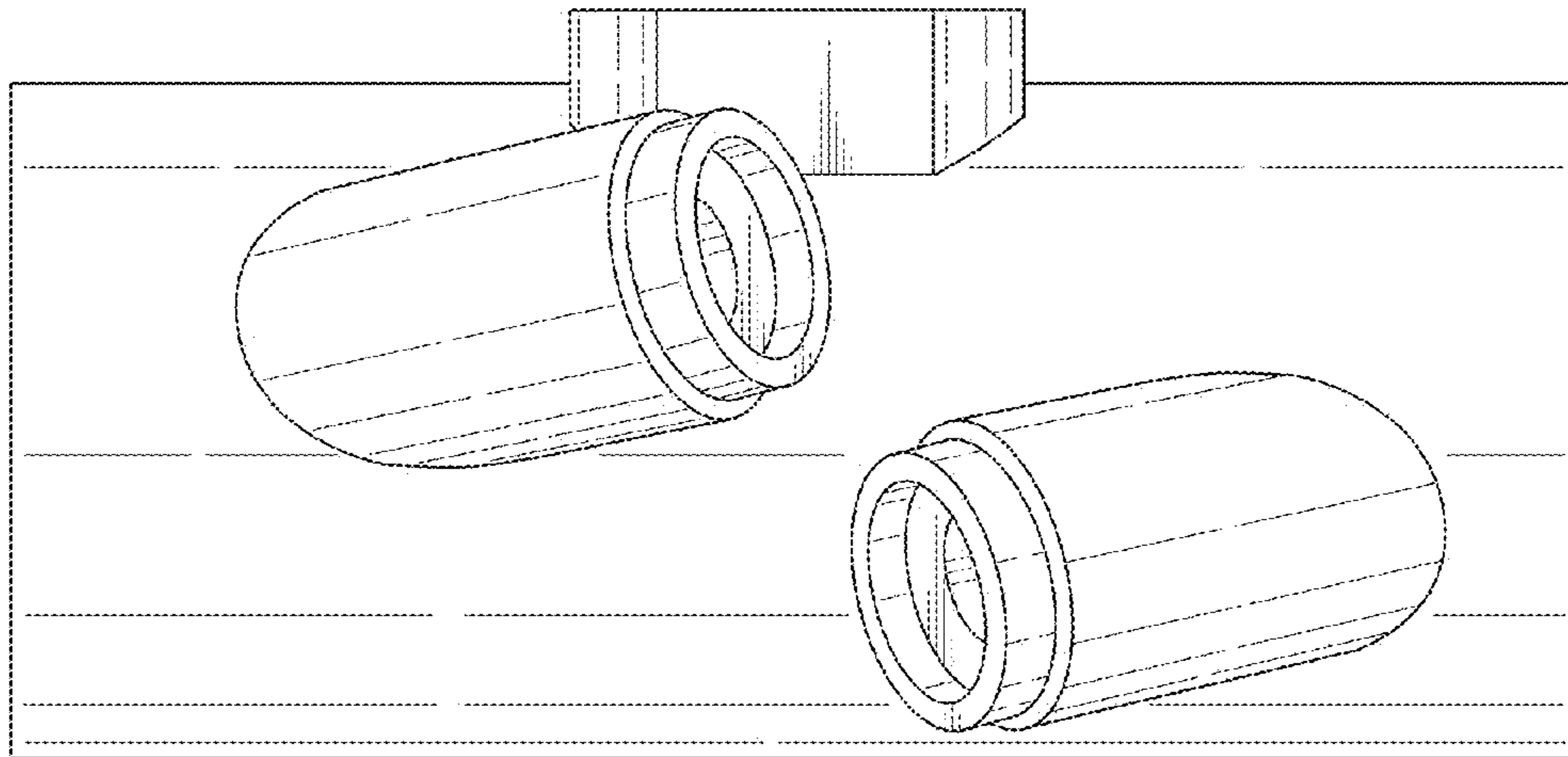


Fig. 3

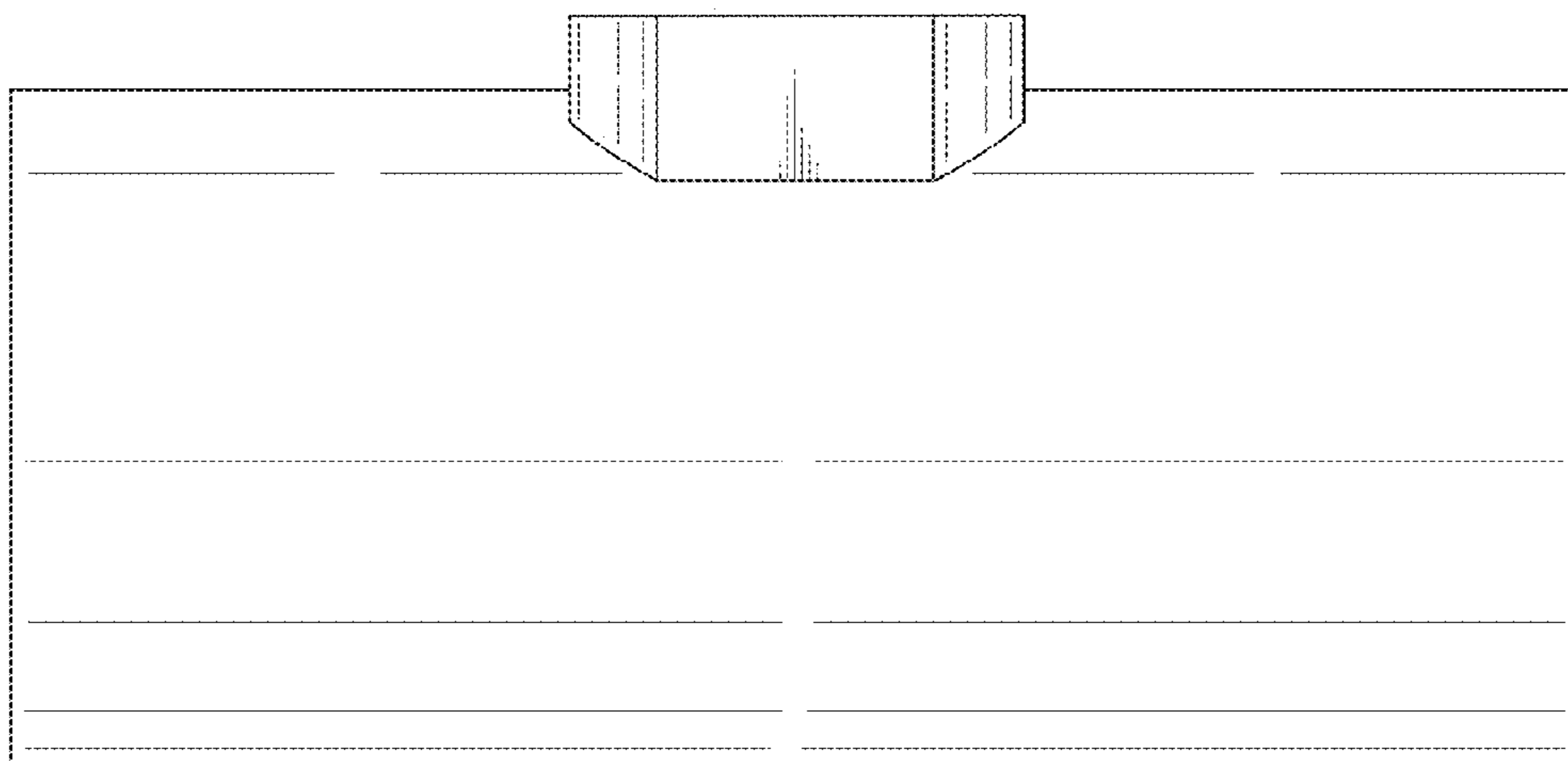


Fig. 4

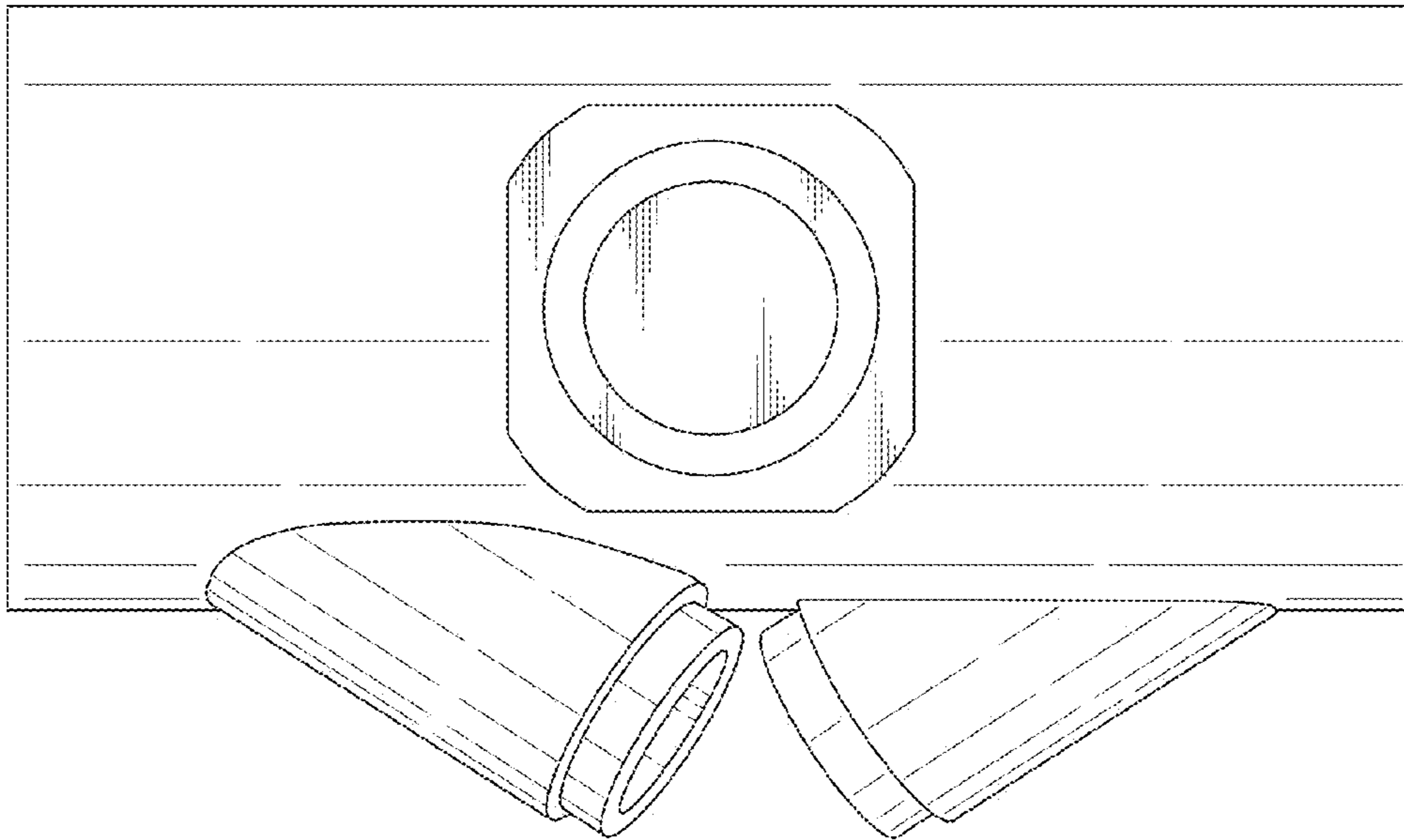


Fig. 5

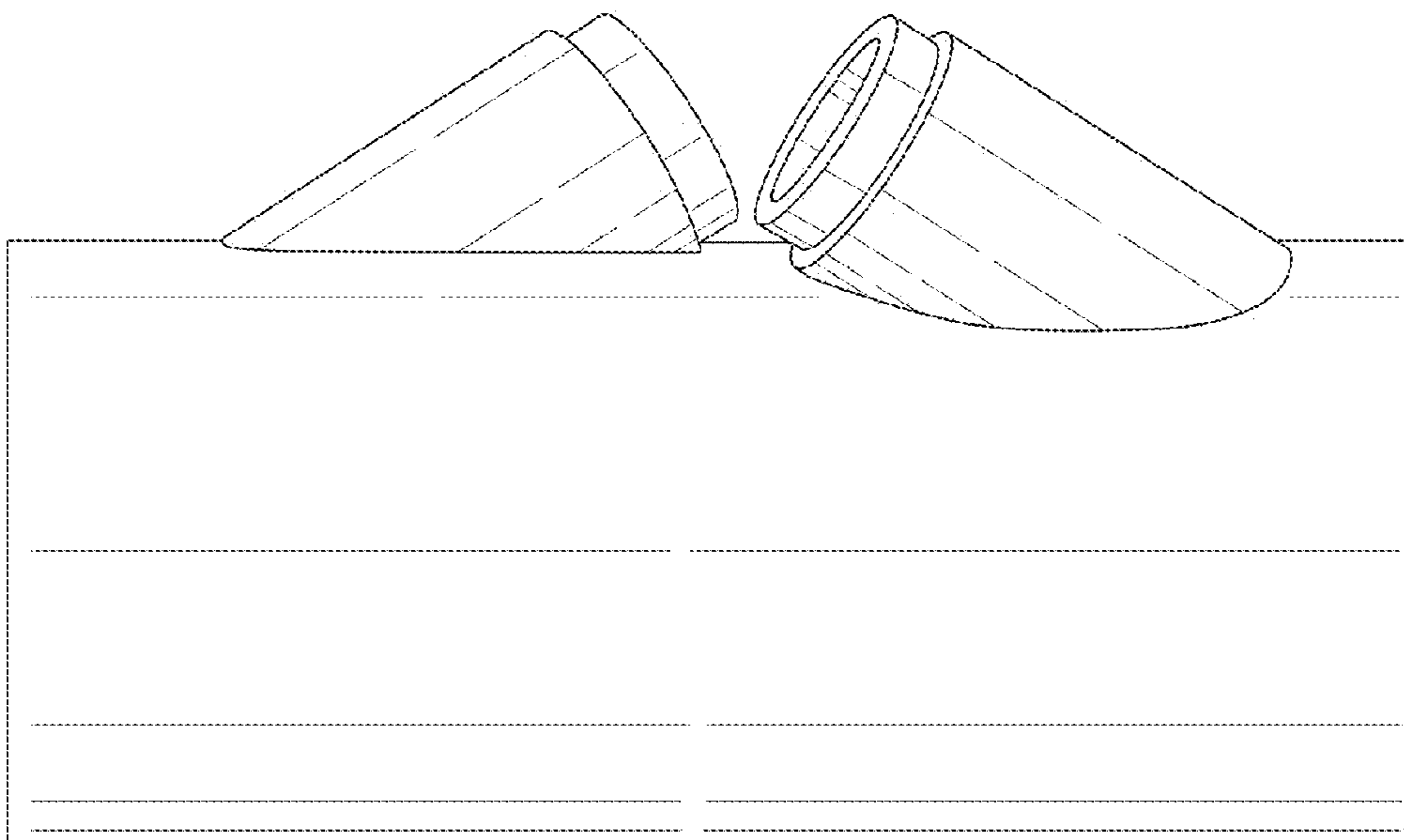


Fig. 6

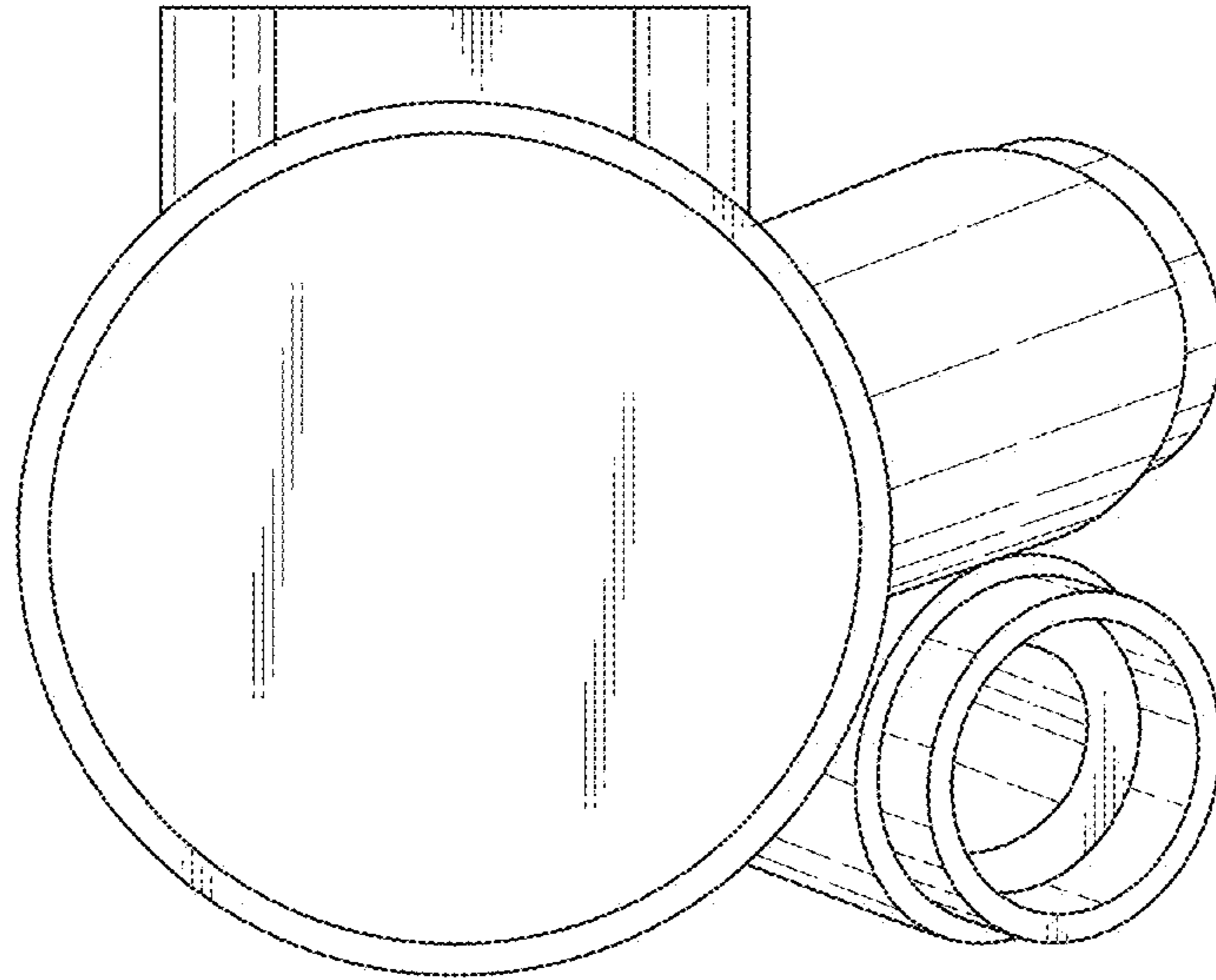


Fig. 7

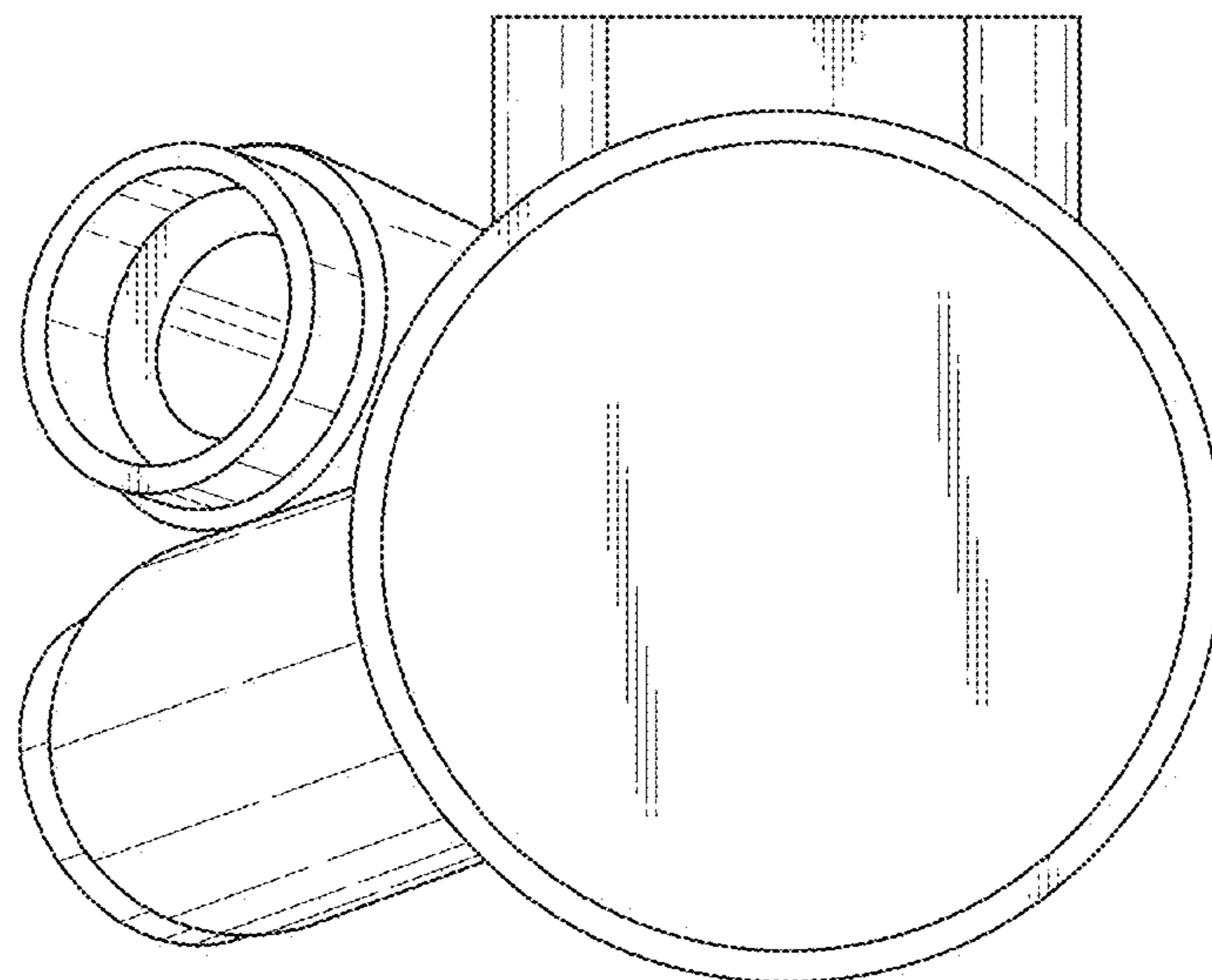


Fig. 8

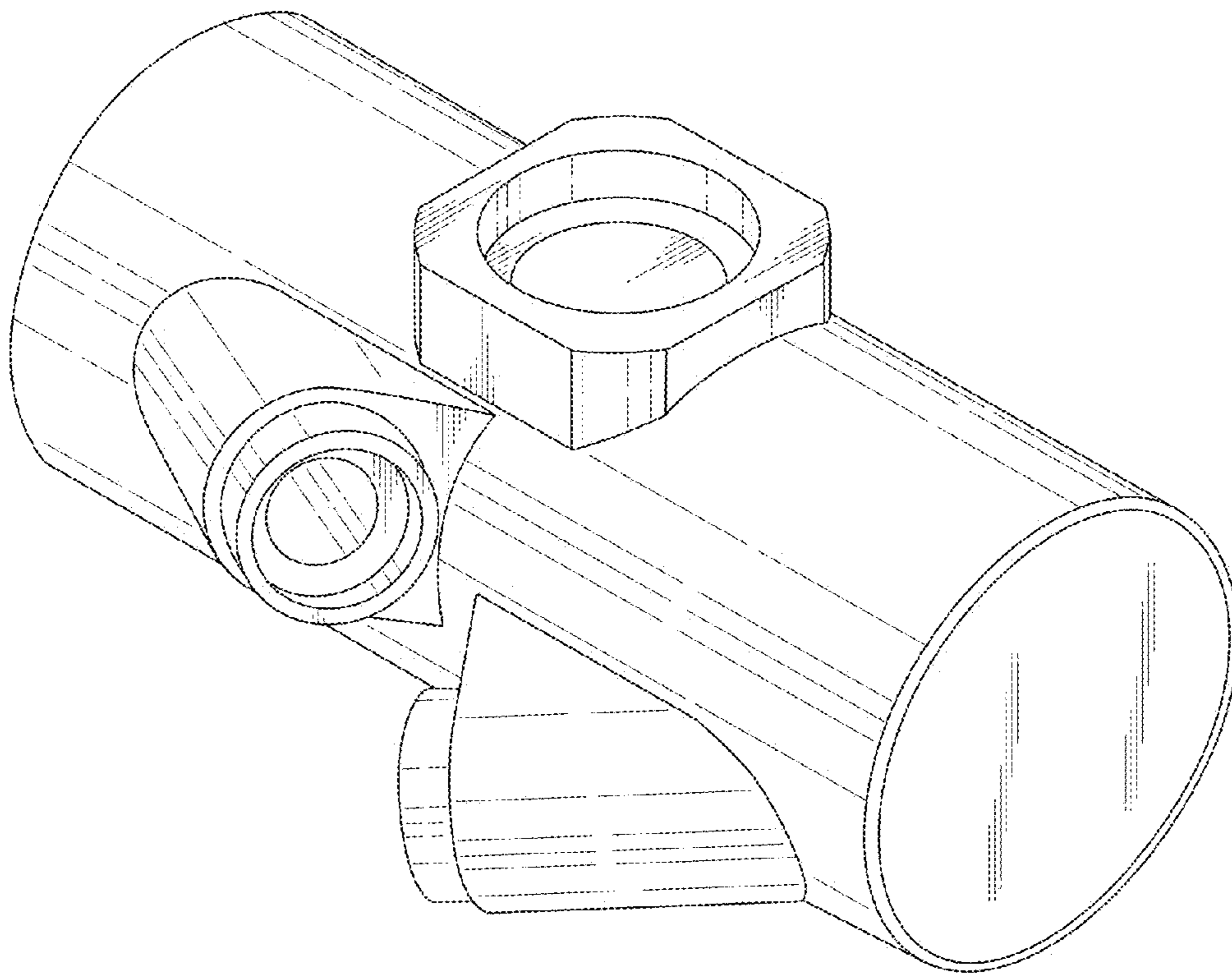


Fig. 9

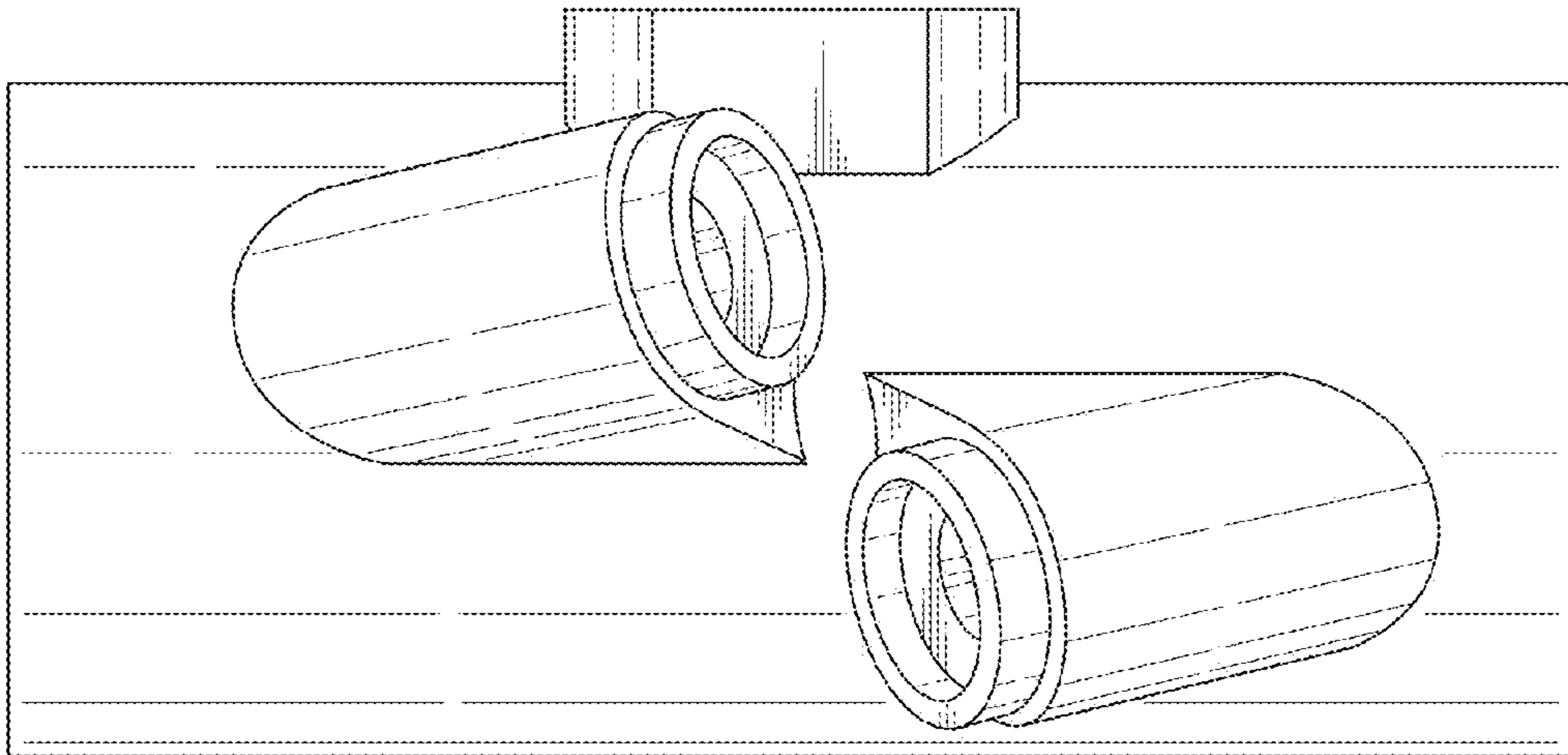


Fig. 10

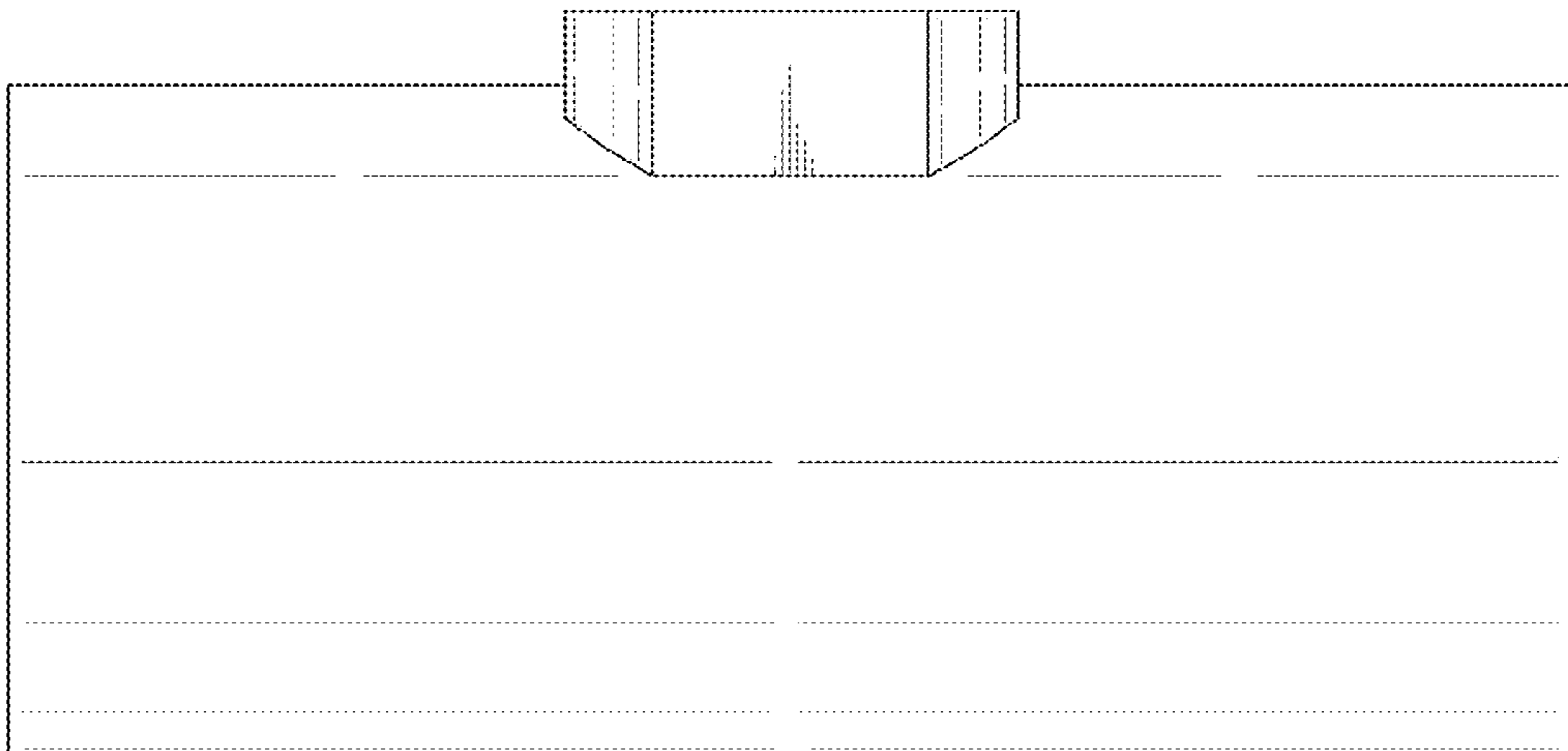


Fig. 11

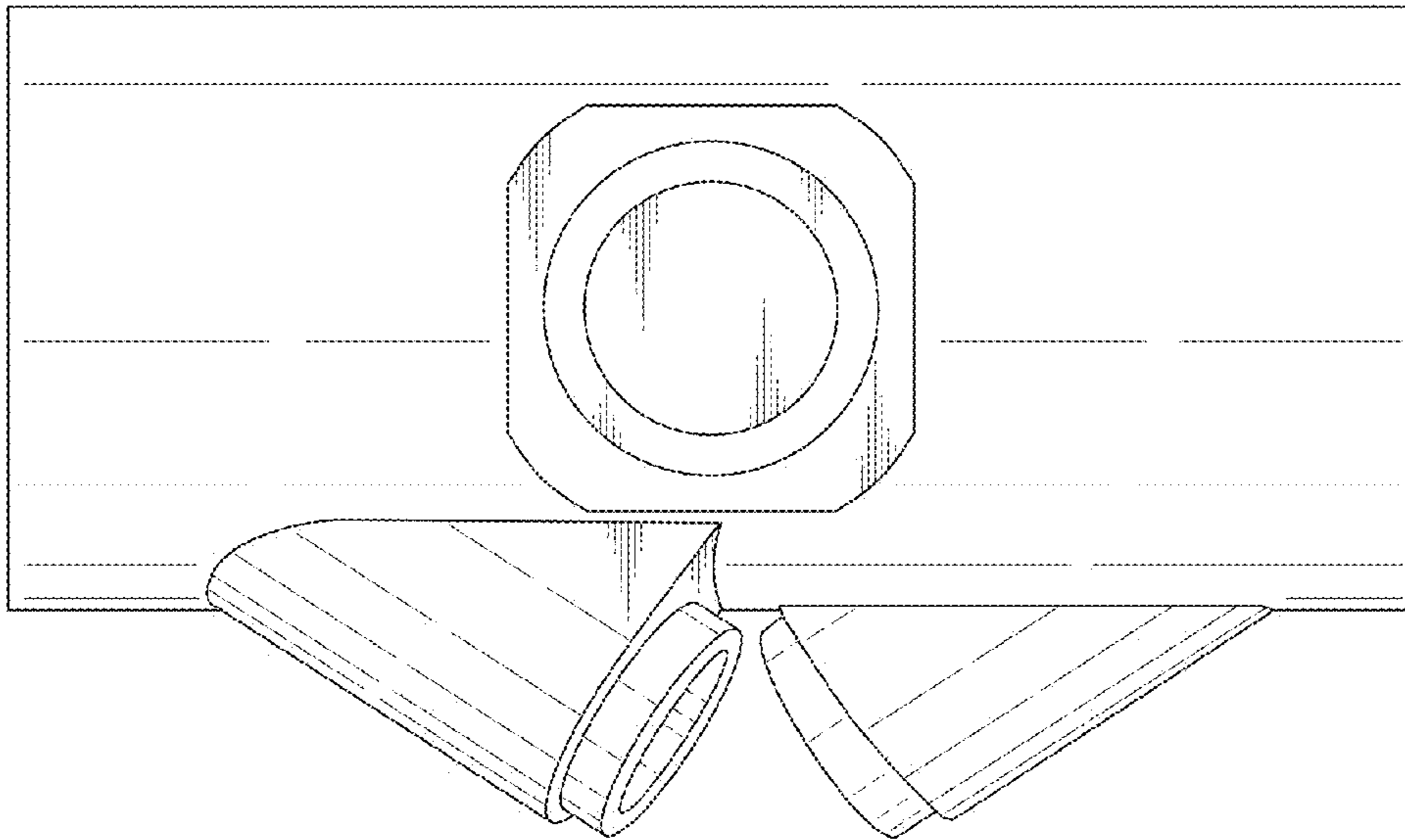


Fig. 12

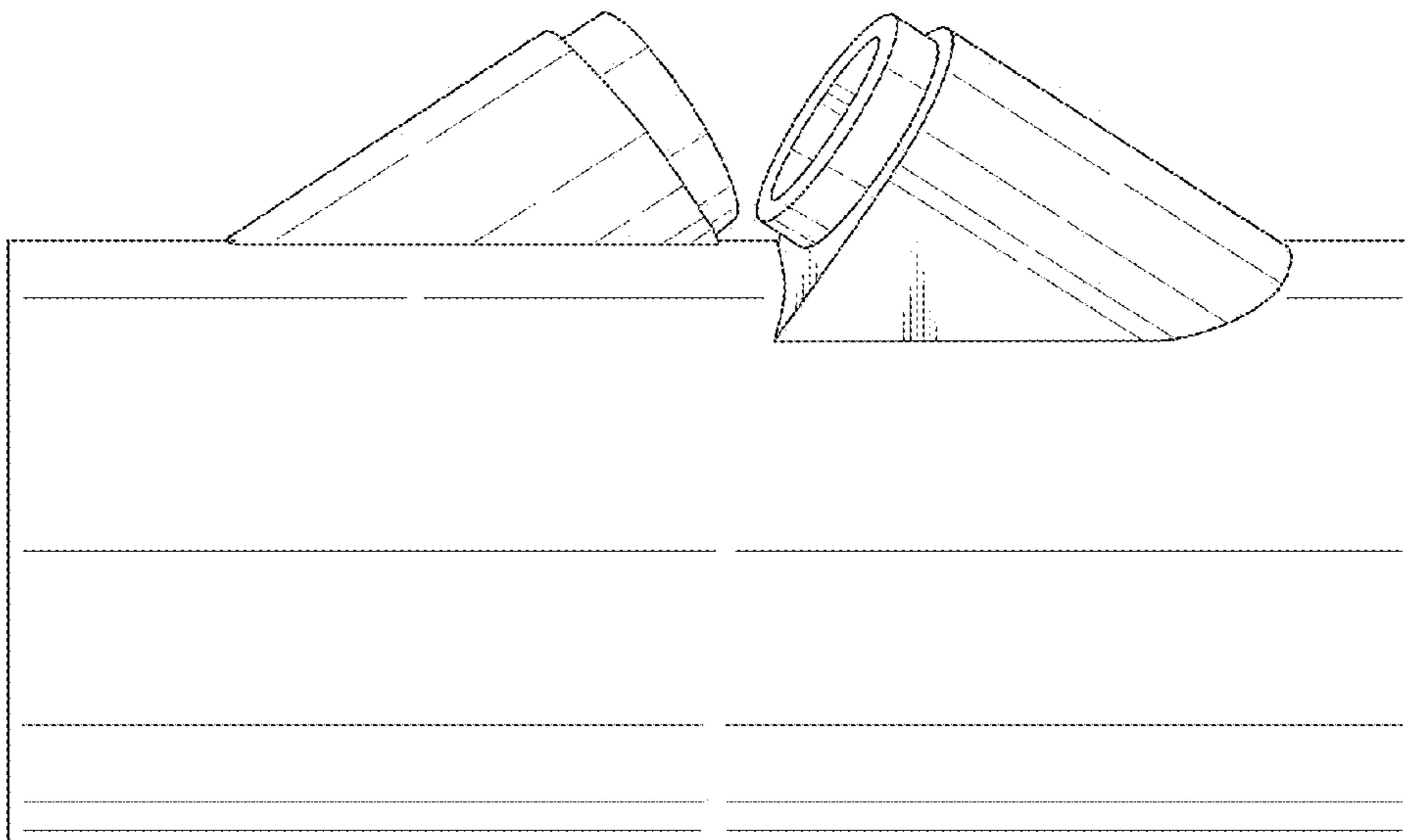


Fig. 13

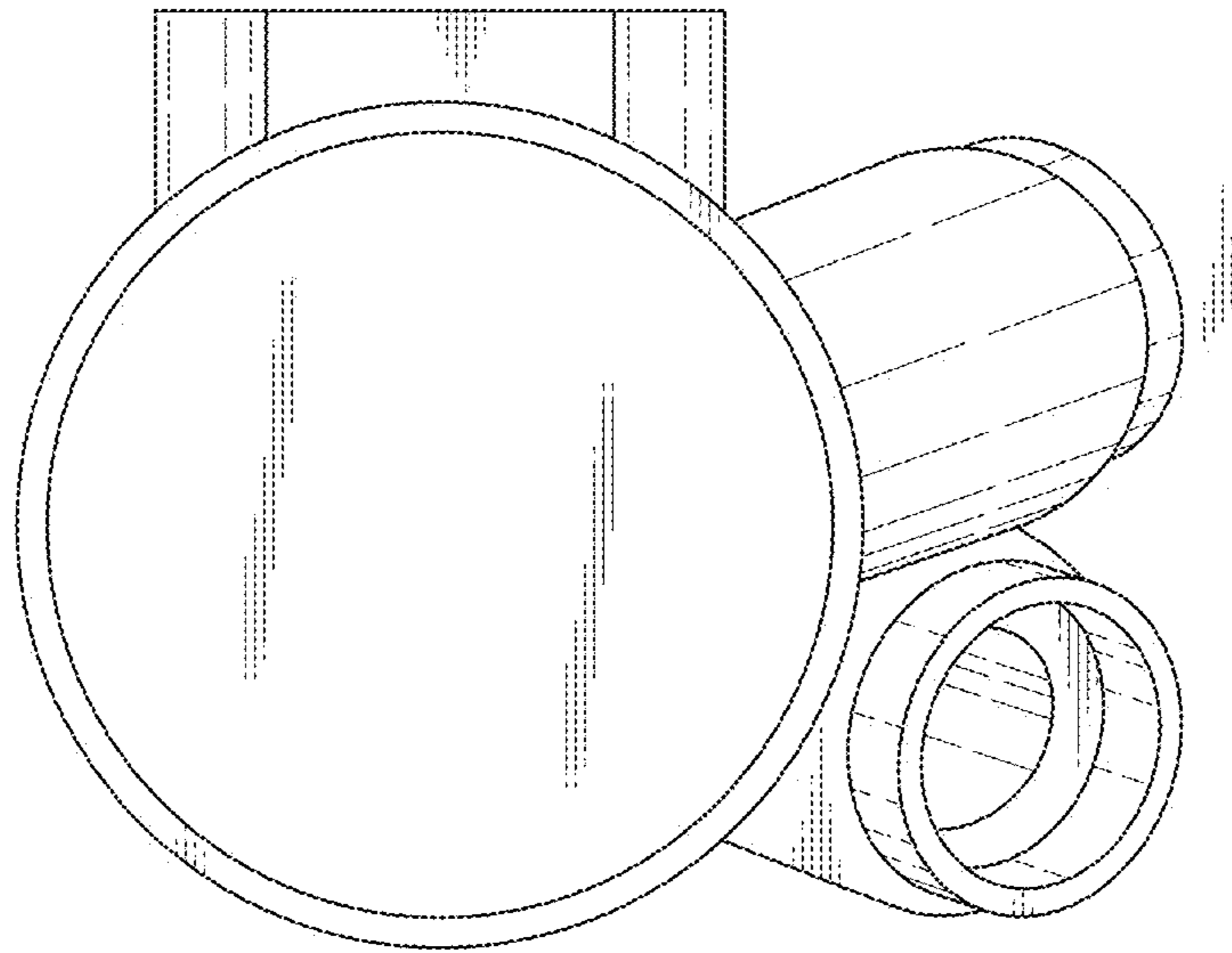


Fig. 14

