

US00D767140S

(12) **United States Design Patent**
Yao et al.

(10) **Patent No.:** **US D767,140 S**

(45) **Date of Patent:** **** Sep. 20, 2016**

(54) **DIGITAL BREAST X-RAY IMAGING SYSTEM**

(71) Applicant: **Shanghai United Imaging Healthcare Co., Ltd.**, Shanghai (CN)

(72) Inventors: **Chunjiang Yao**, Shanghai (CN); **Dandan Hu**, Shanghai (CN); **Jun Zhang**, Shanghai (CN); **Chao Zhi**, Shanghai (CN); **Minkai Liu**, Shanghai (CN)

(73) Assignee: **SHANGHAI UNITED IMAGING HEALTHCARE CO., LTD.**, Shanghai (CN)

(**) Term: **15 Years**

(21) Appl. No.: **29/530,412**

(22) Filed: **Jun. 16, 2015**

(30) **Foreign Application Priority Data**

Dec. 17, 2014 (CN) 2014 3 0533209

(51) **LOC (10) Cl.** **24-01**

(52) **U.S. Cl.**
USPC **D24/158**

(58) **Field of Classification Search**
USPC D24/158-161, 185, 186, 107
CPC .. A61B 6/035; A61B 6/4405; A61B 6/4411;
A61B 6/4429; A61B 6/4435; A61B 6/4441;
A61B 6/4447; A61B 6/484; A61B 6/502
See application file for complete search history.

(56) **References Cited**

U.S. PATENT DOCUMENTS

| | | | |
|-------------------|---------|-----------------|-----------------------|
| D331,110 S * | 11/1992 | Virta | D24/158 |
| D563,553 S * | 3/2008 | Saito | D24/158 |
| D659,833 S * | 5/2012 | Ogura | D24/158 |
| D728,106 S * | 4/2015 | Laukkanen | D24/158 |
| D728,794 S * | 5/2015 | Kim | D24/158 |
| 2008/0095420 A1 * | 4/2008 | Ohyu | A61B 6/502 382/131 |

* cited by examiner

Primary Examiner — Anhdao Doan

(74) *Attorney, Agent, or Firm* — Muncy, Geissler, Olds & Lowe, P.C.

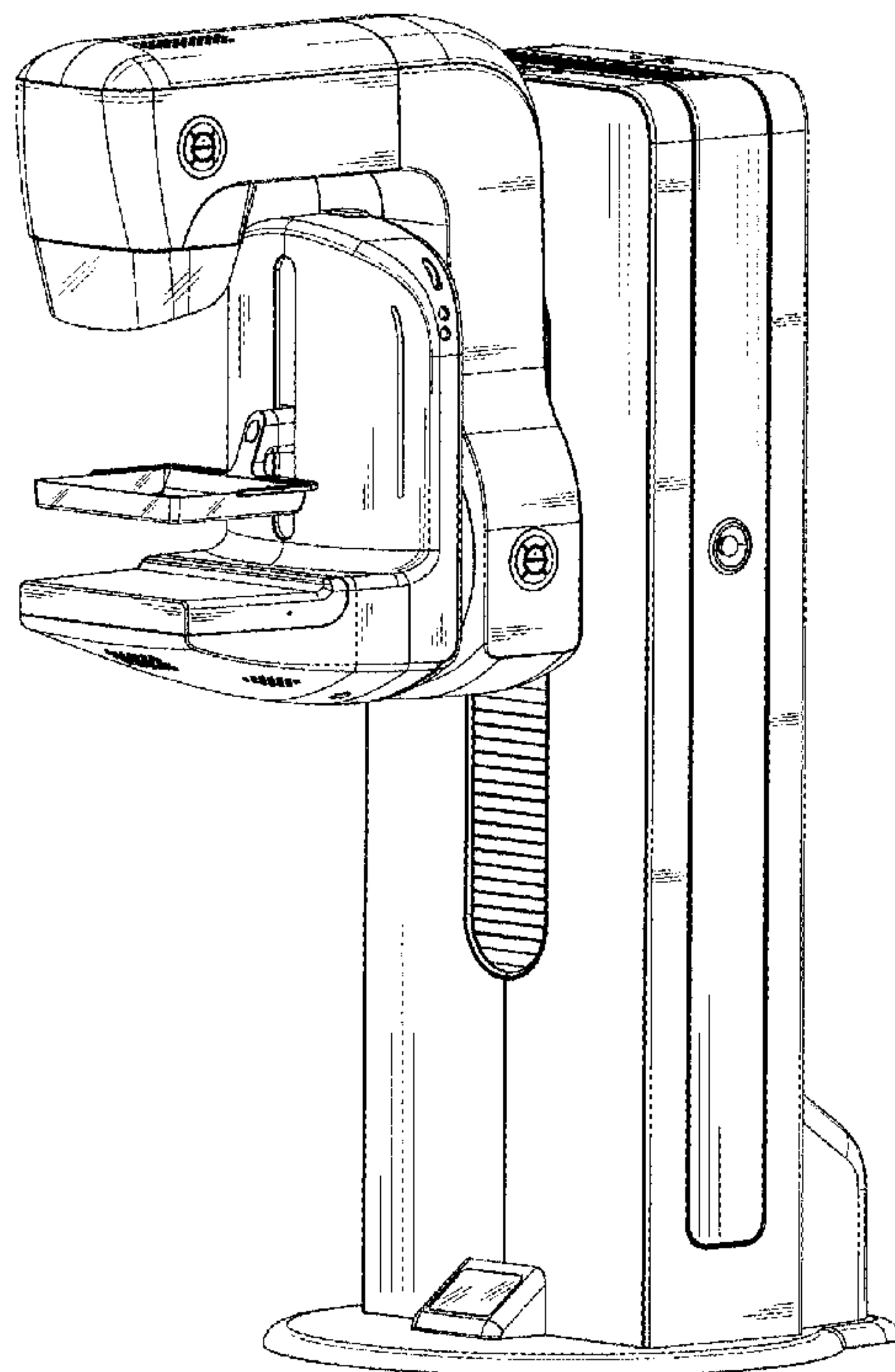
(57) **CLAIM**

The ornamental design for a digital breast X-ray imaging system, as shown and described.

DESCRIPTION

FIG. 1 is a front perspective view of a digital breast X-ray imaging system showing our new design; FIG. 2 is a front elevational view thereof; FIG. 3 is a rear elevational view thereof; FIG. 4 is a left side view thereof; FIG. 5 is a right side view thereof; and, FIG. 6 is a top plan view thereof. The bottom plan view is omitted.

1 Claim, 6 Drawing Sheets



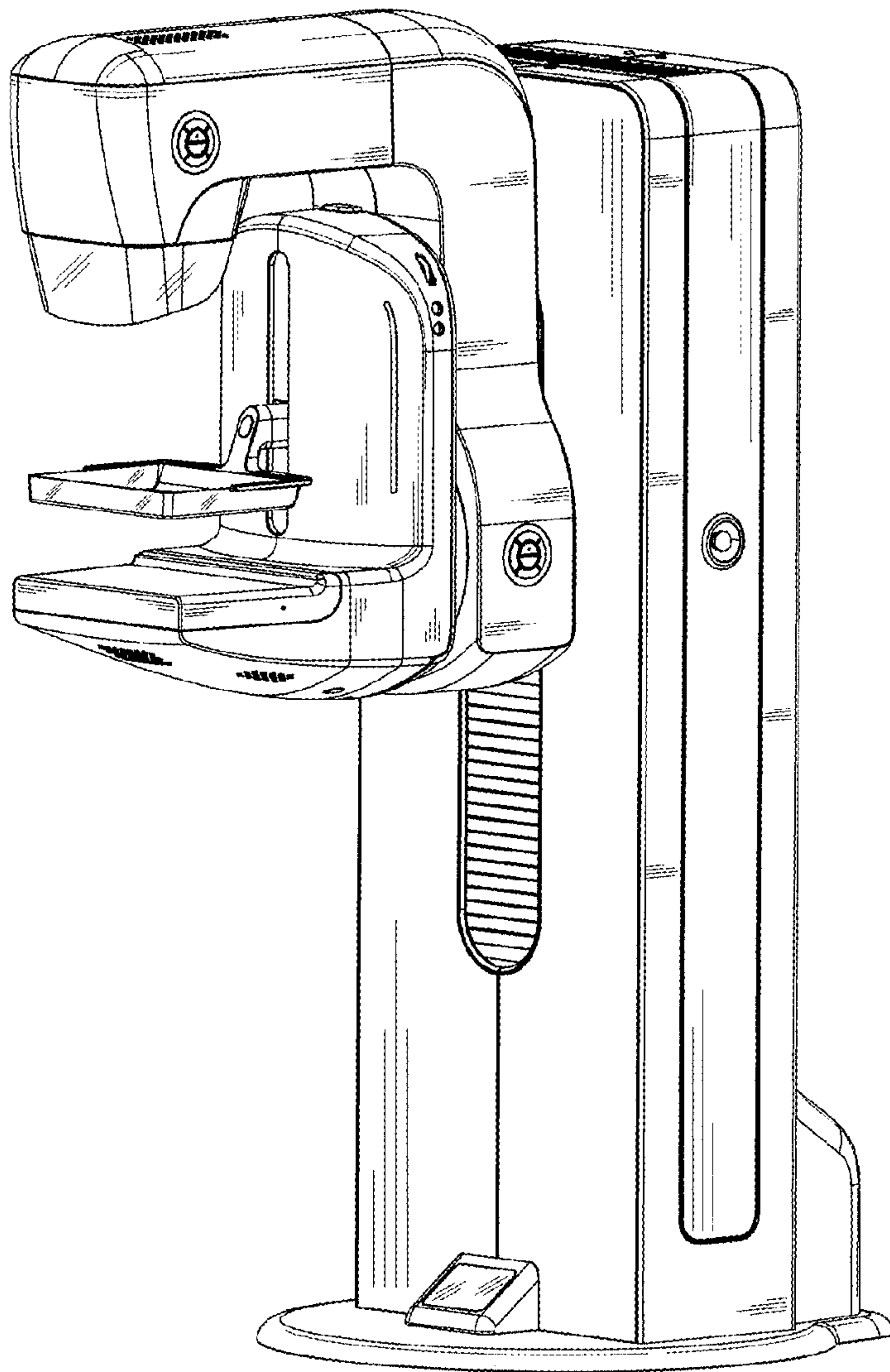


FIG. 1

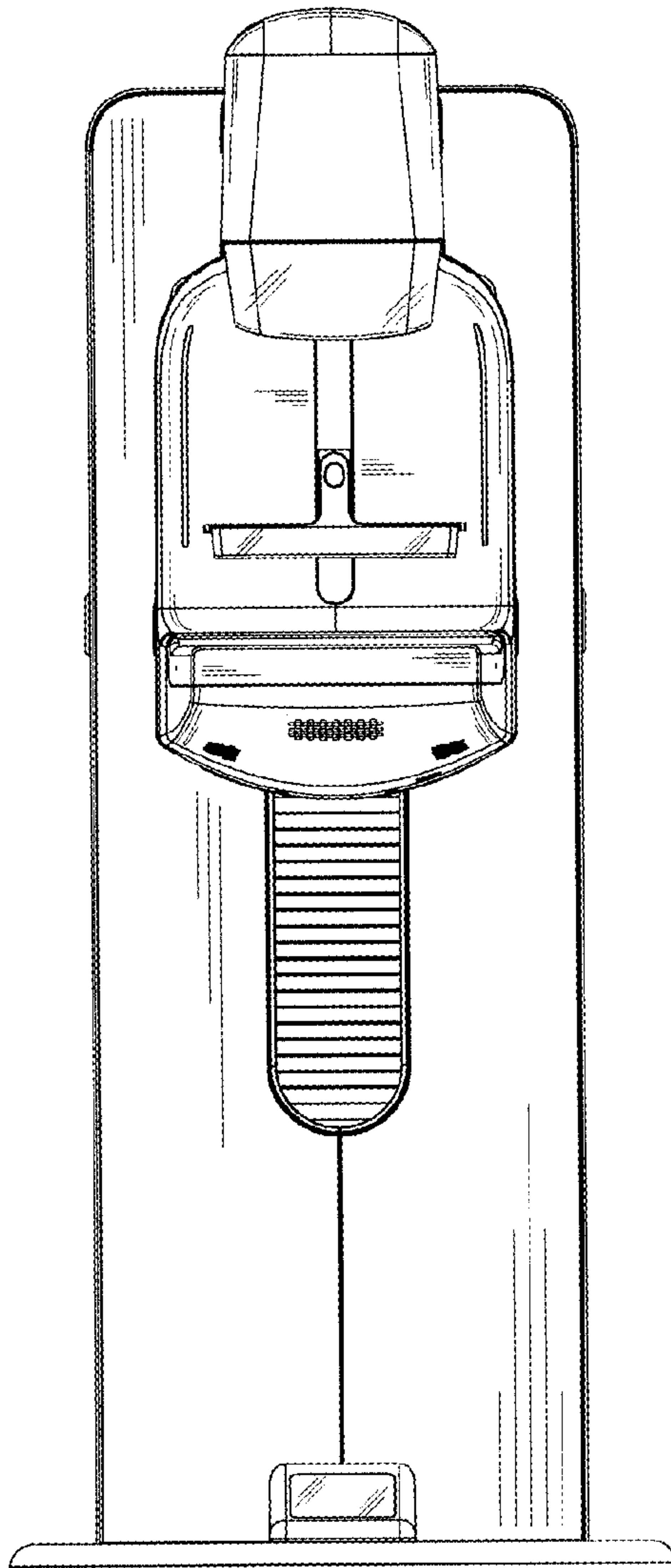


FIG. 2

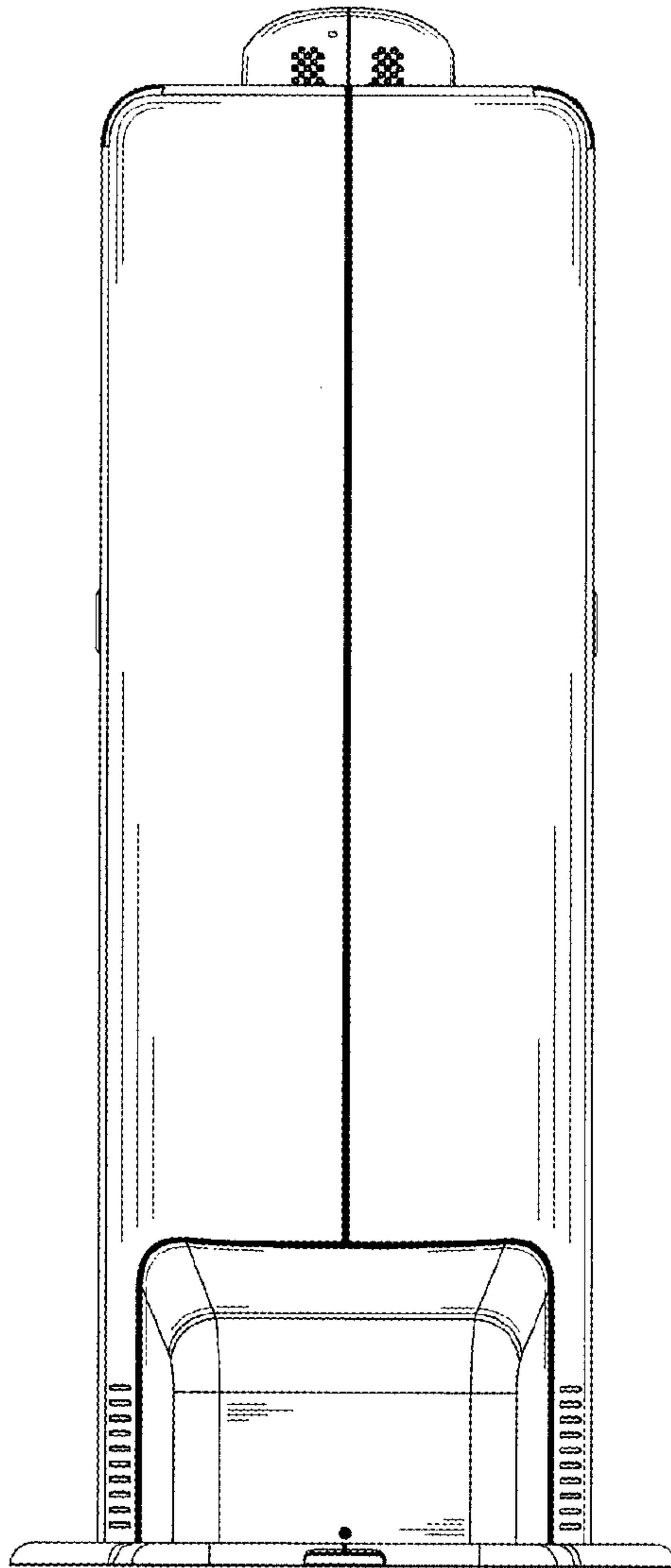


FIG. 3

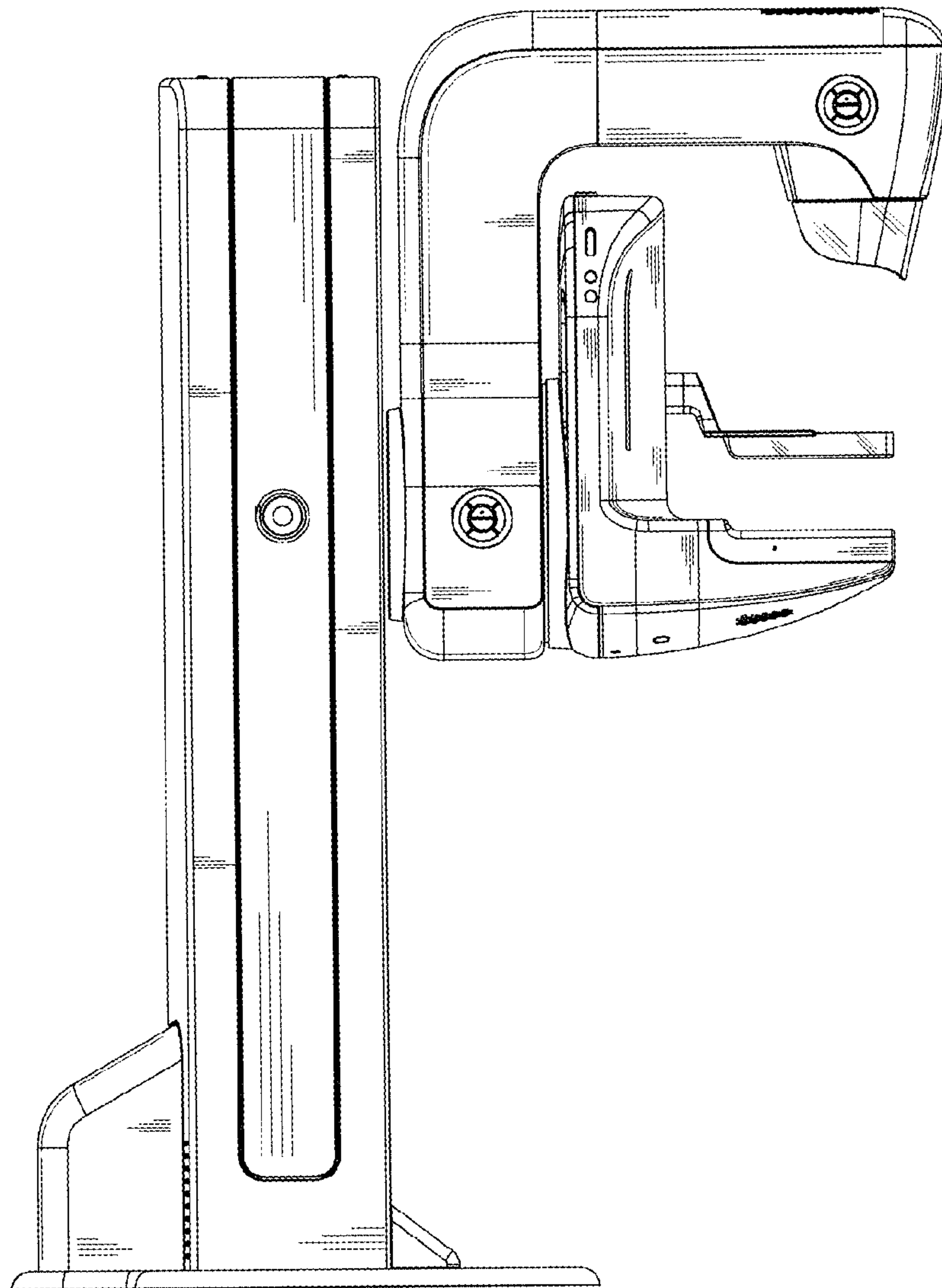


FIG. 4

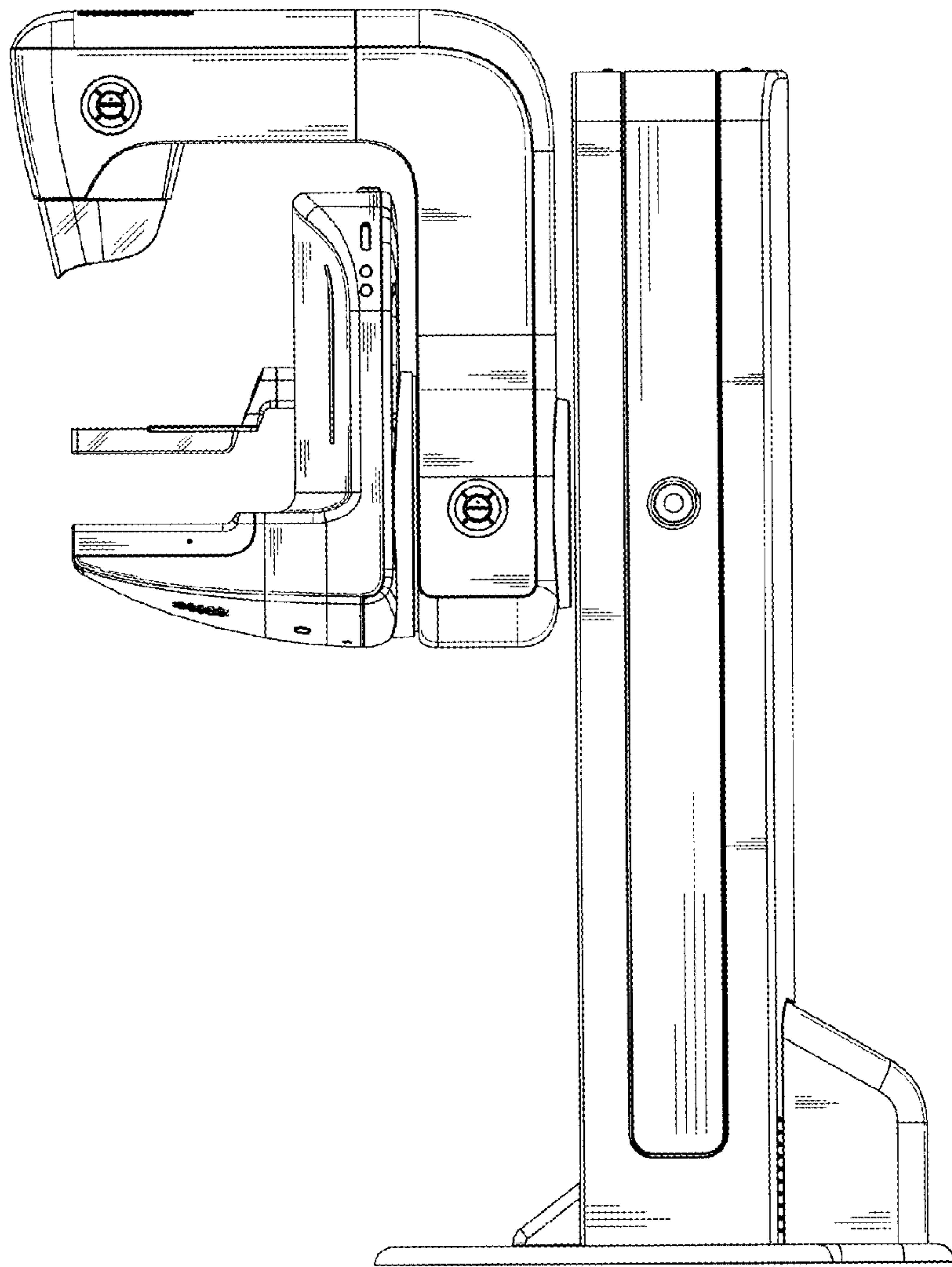


FIG. 5

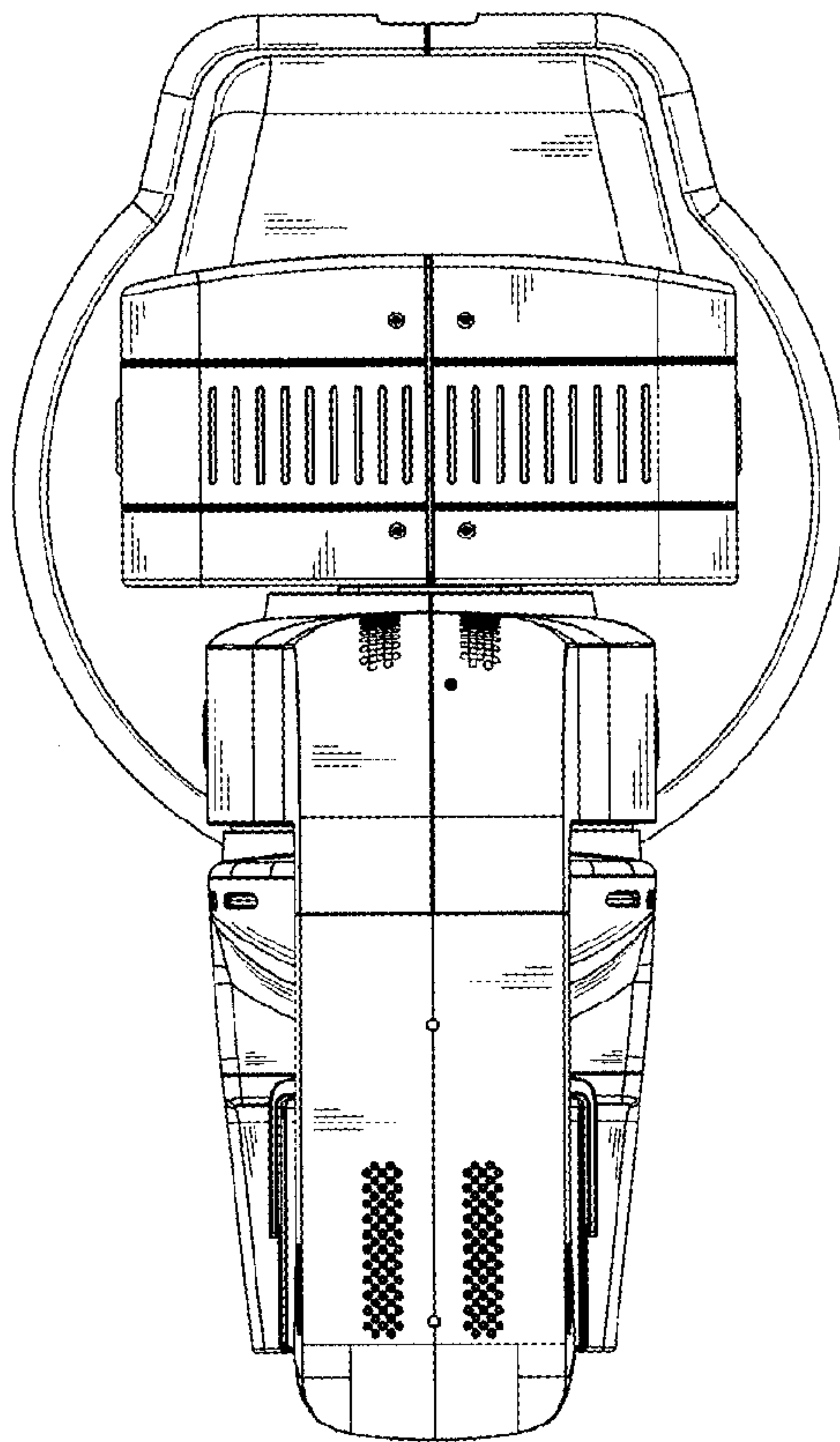


FIG. 6