



US00D767139S

(12) **United States Design Patent**  
**Liu et al.**

(10) **Patent No.:** **US D767,139 S**  
(45) **Date of Patent:** **\*\* Sep. 20, 2016**

(54) **X-RAY DEVICE**

(71) Applicant: **Shanghai United Imaging Healthcare Co., Ltd.**, Shanghai (CN)

(72) Inventors: **Minkai Liu**, Shanghai (CN); **Chao Zhi**, Shanghai (CN)

(73) Assignee: **SHANGHAI UNITED IMAGING HEALTHCARE CO., LTD.**, Shanghai (CN)

(\*\*) Term: **15 Years**

(21) Appl. No.: **29/530,096**

(22) Filed: **Jun. 12, 2015**

(51) **LOC (10) Cl.** ..... **24-01**

(52) **U.S. Cl.**  
USPC ..... **D24/158**

(58) **Field of Classification Search**  
USPC ..... D24/158-161, 185, 186, 107  
CPC .. A61B 6/035; A61B 6/4405; A61B 6/4411;  
A61B 6/4429; A61B 6/4435; A61B 6/4441;  
A61B 6/4447; A61B 6/484  
See application file for complete search history.

(56) **References Cited**

**U.S. PATENT DOCUMENTS**

D554,755 S \* 11/2007 Iwasaki ..... D24/158  
D624,186 S \* 9/2010 Youn ..... D24/158

7,949,094 B2 \* 5/2011 Ahn ..... A61B 6/447  
378/197  
D671,217 S \* 11/2012 Moon ..... D24/158  
D683,021 S \* 5/2013 Moon ..... D24/158  
D710,013 S \* 7/2014 Li ..... D24/158  
D715,441 S \* 10/2014 Li ..... D24/158  
D715,938 S \* 10/2014 Li ..... D24/158  
D715,940 S \* 10/2014 Li ..... D24/158  
D715,941 S \* 10/2014 Li ..... D24/158  
D725,778 S \* 3/2015 Sul ..... D24/158  
D752,225 S \* 3/2016 Sul ..... D24/158  
2016/0073985 A1 \* 3/2016 Moon ..... A61B 6/4429  
378/181

\* cited by examiner

*Primary Examiner* — Anhdao Doan

(74) *Attorney, Agent, or Firm* — Muncy, Geissler, Olds & Lowe, P.C.

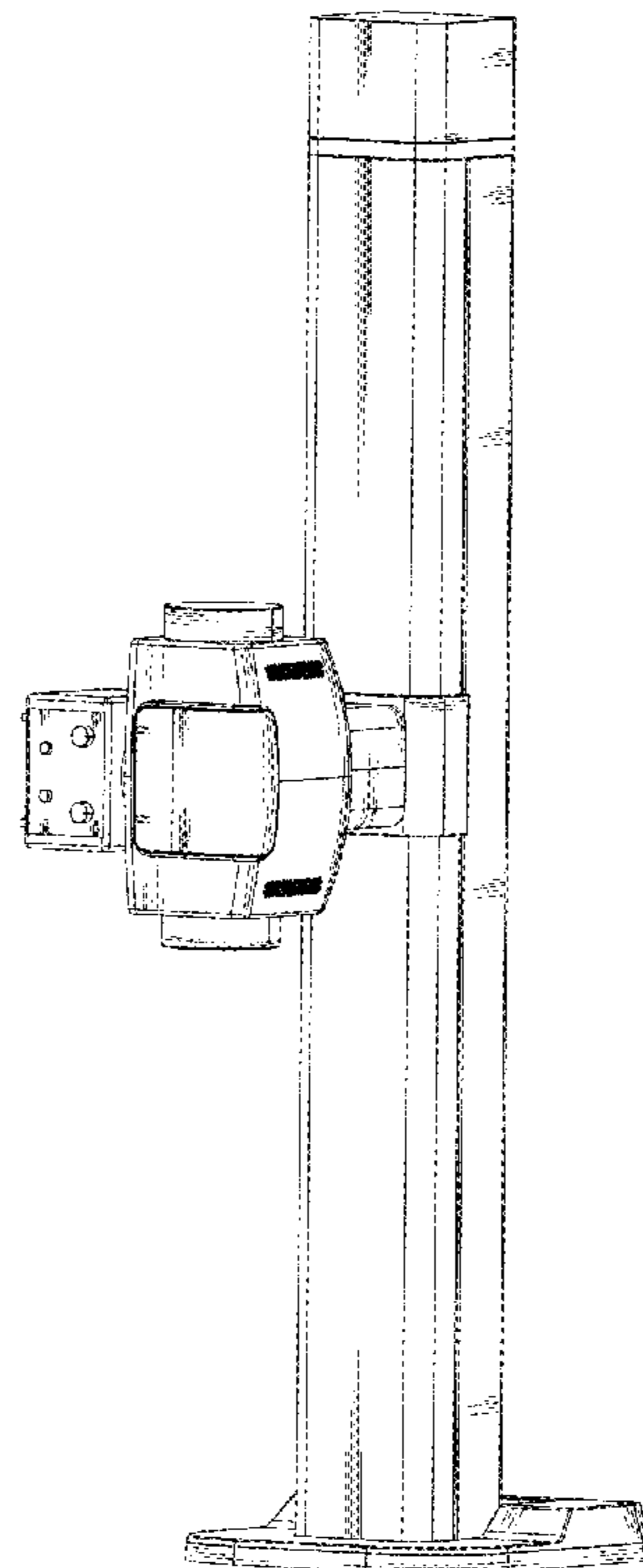
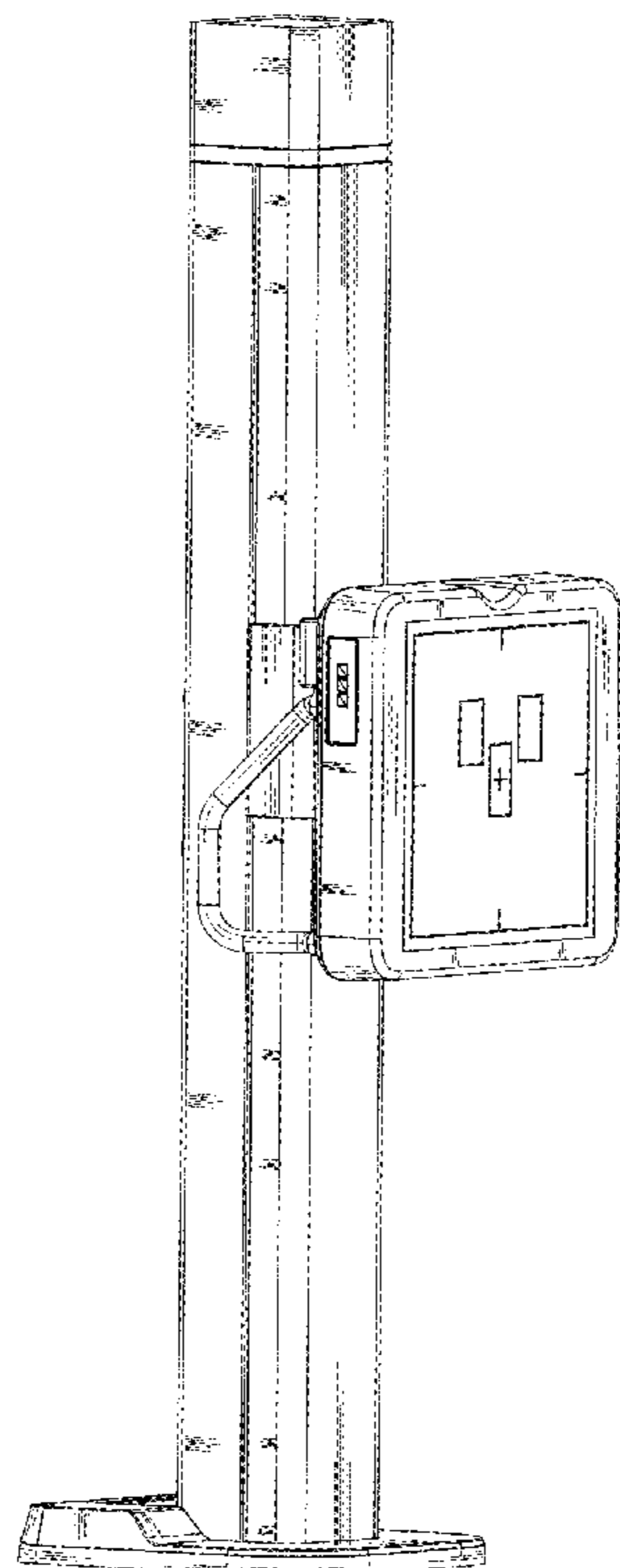
(57) **CLAIM**

The ornamental design for an X-ray device, as shown and described.

**DESCRIPTION**

FIG. 1 is a front perspective view of an X-ray device showing our new design;  
FIG. 2 is a front elevational view thereof;  
FIG. 3 is a rear elevational view thereof;  
FIG. 4 is a left side view thereof;  
FIG. 5 is a right side view thereof;  
FIG. 6 is a top plan view thereof; and,  
FIG. 7 is bottom plan view thereof.

**1 Claim, 7 Drawing Sheets**



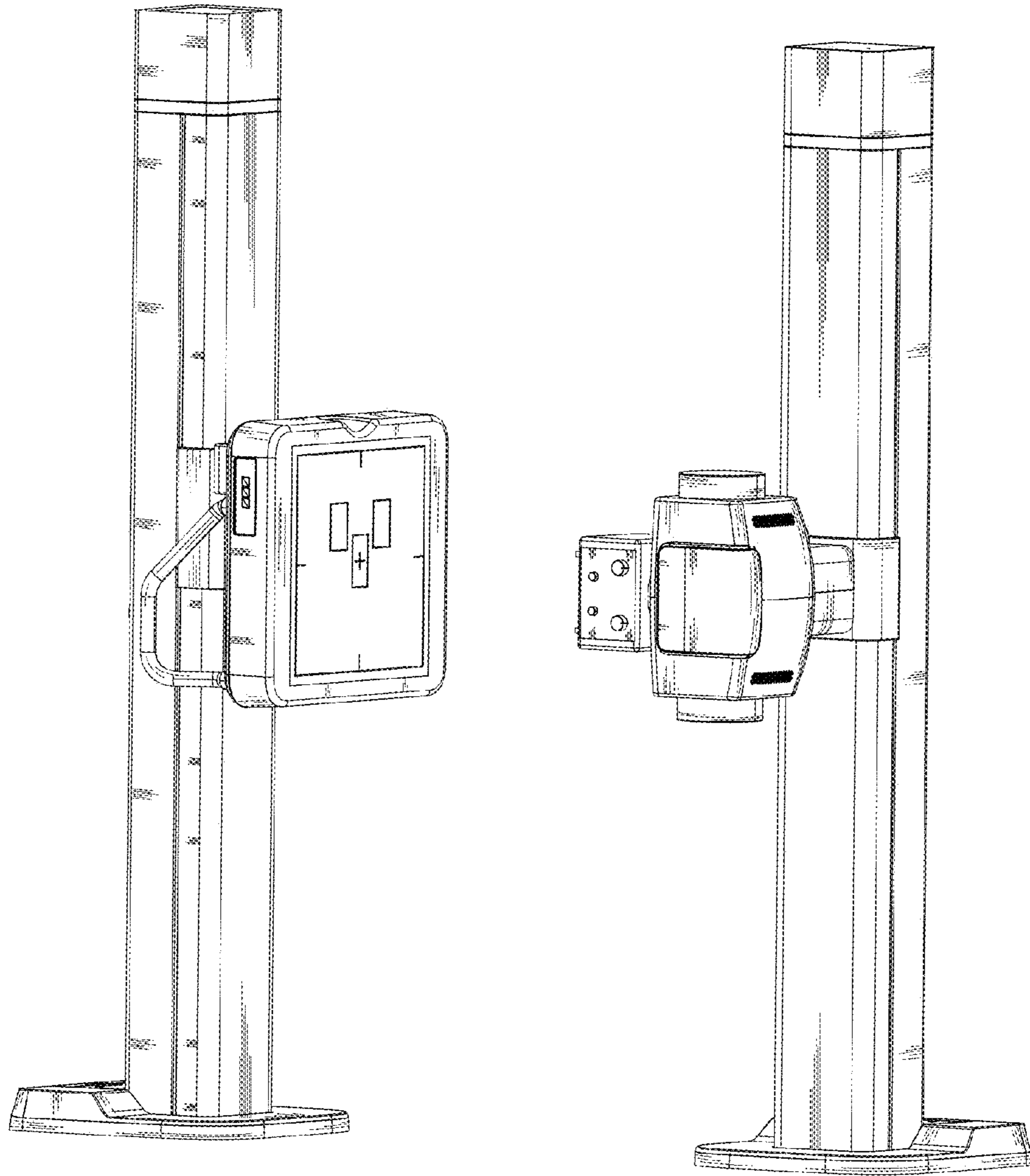


FIG. 1

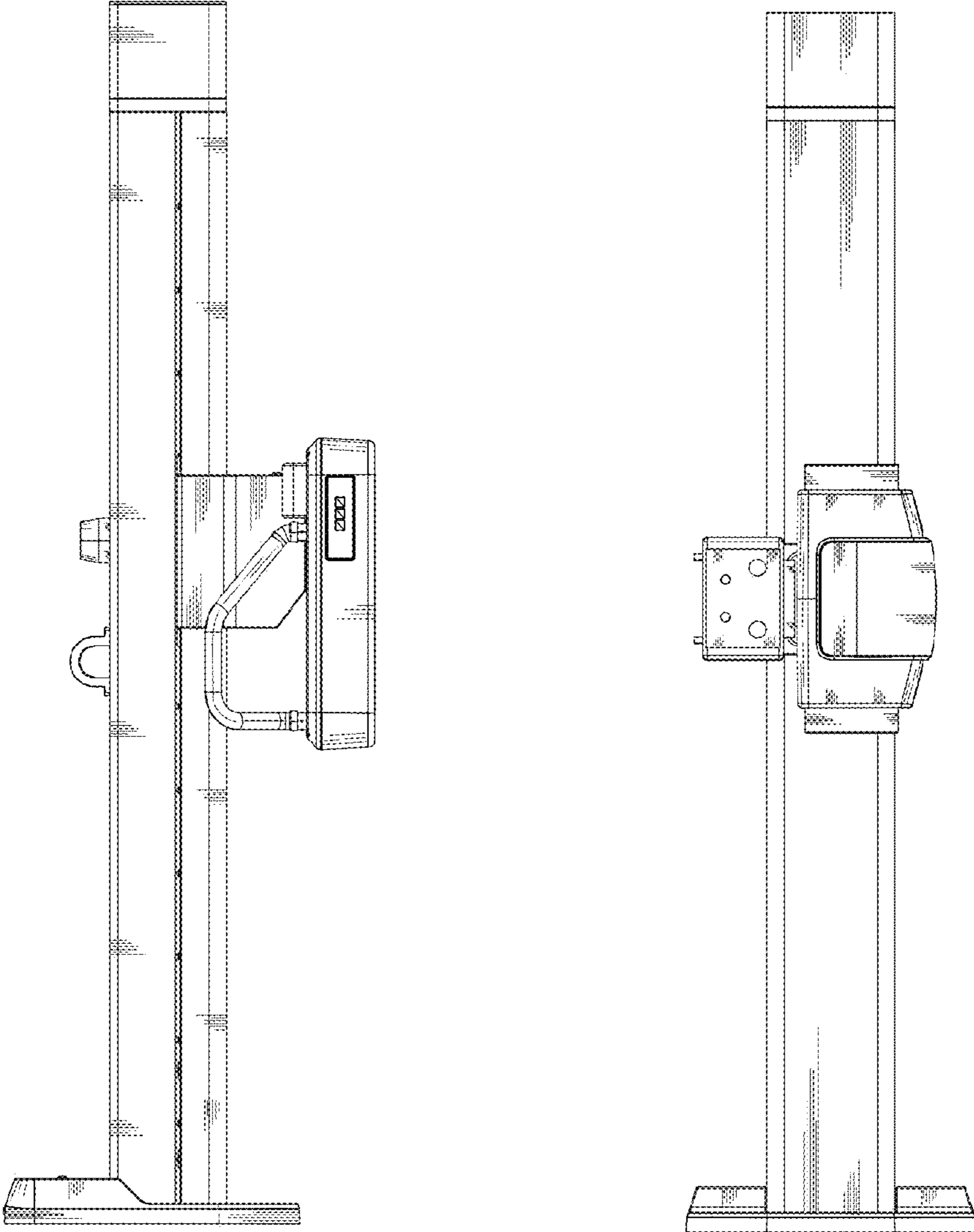


FIG. 2

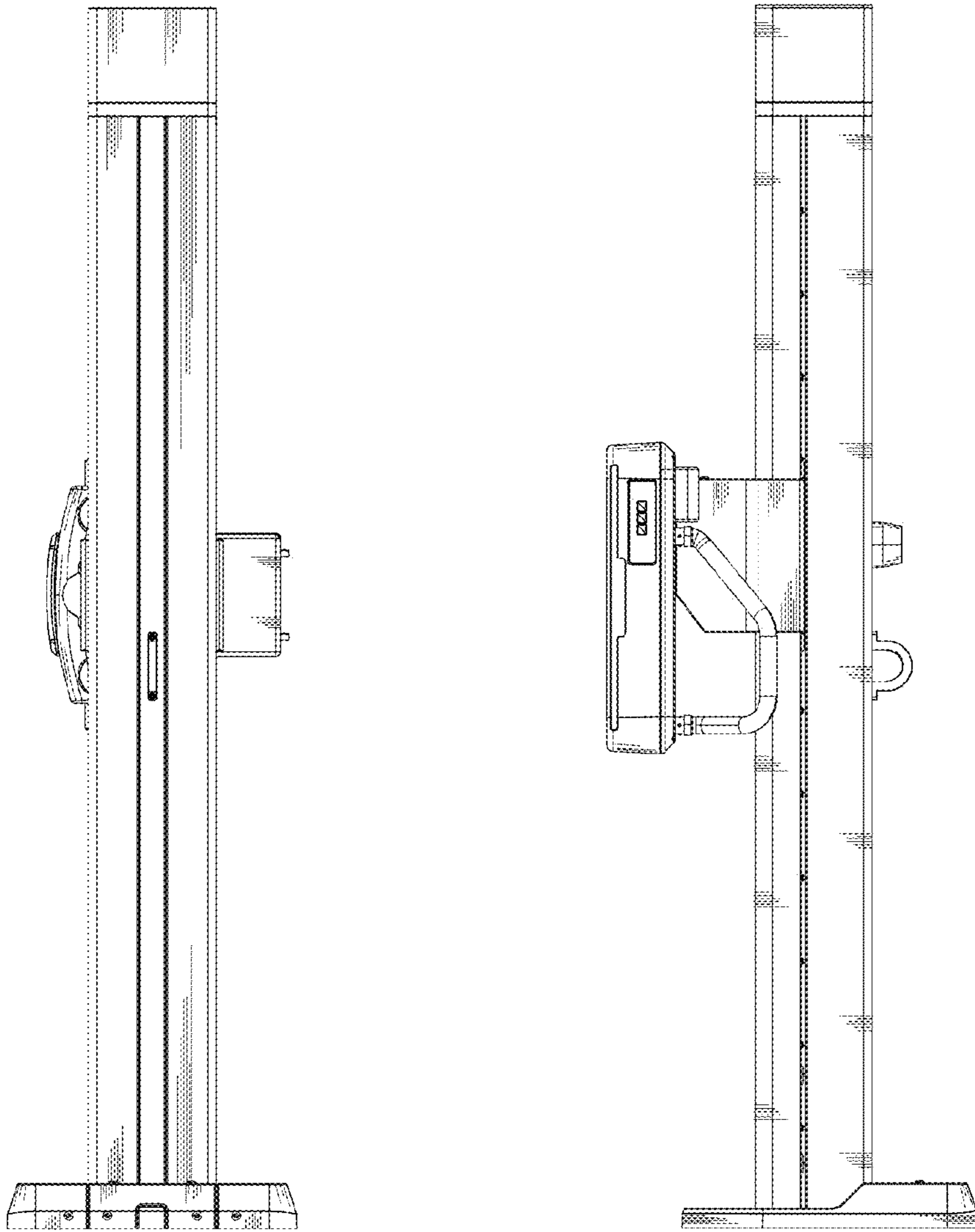


FIG. 3

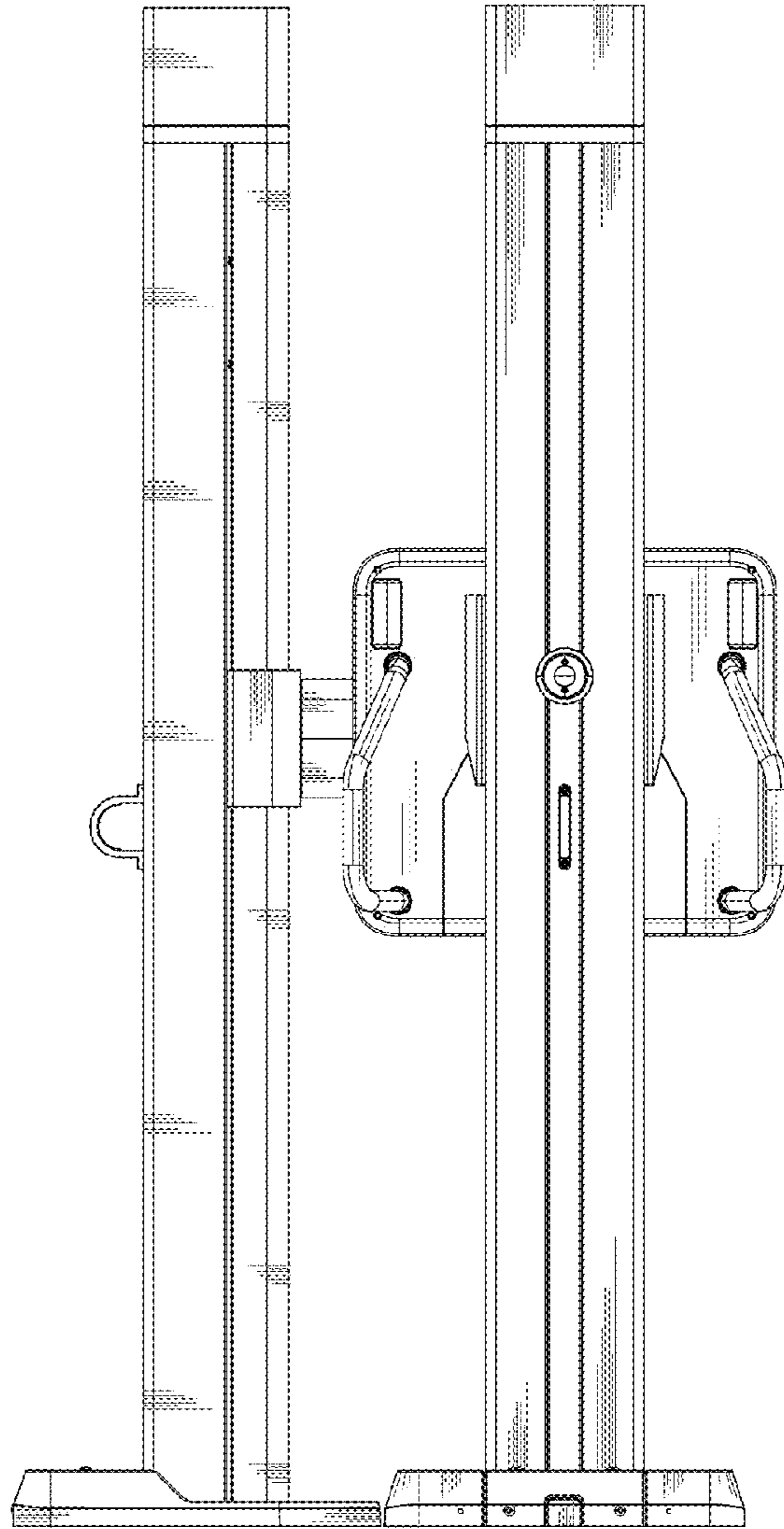


FIG. 4

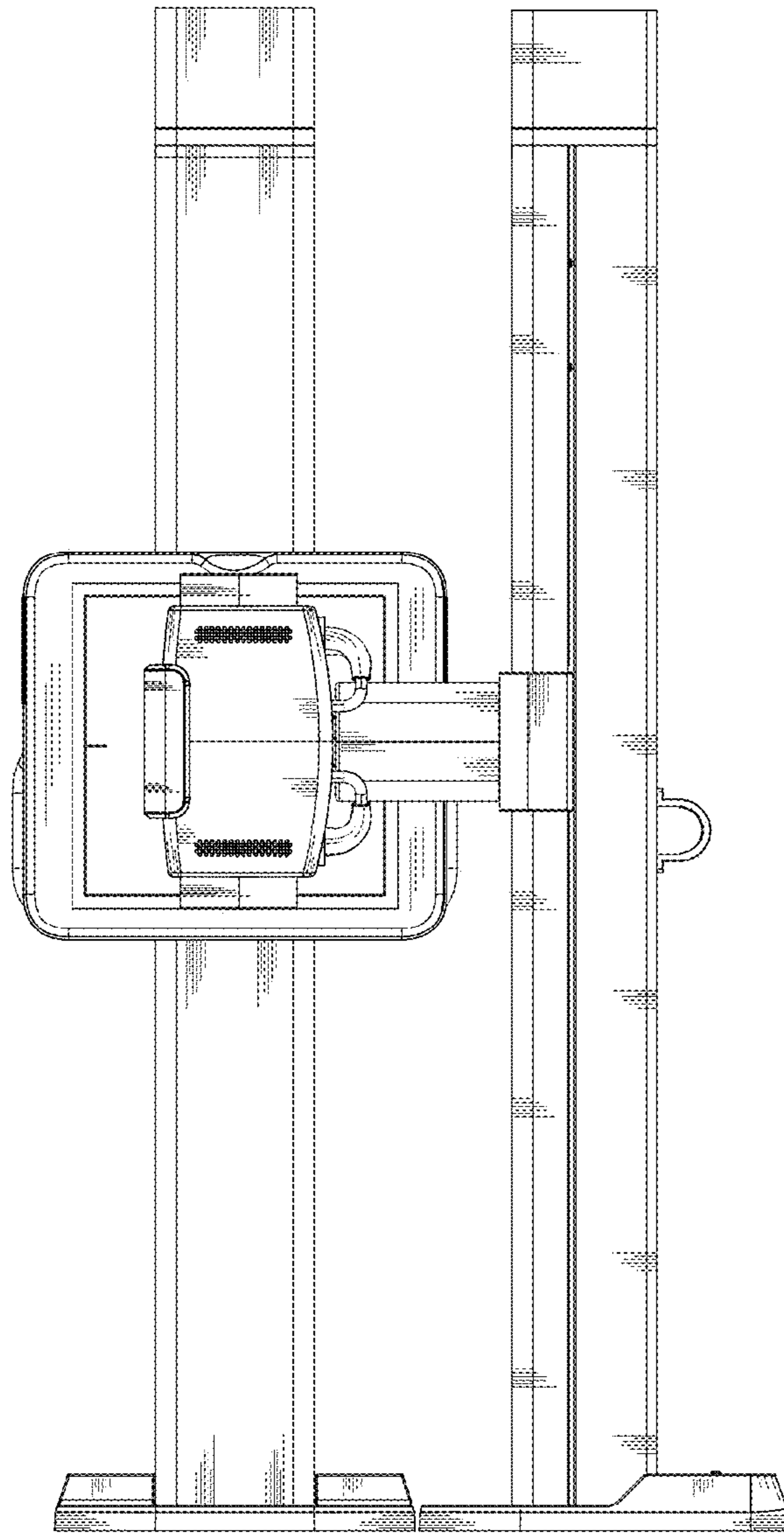


FIG. 5

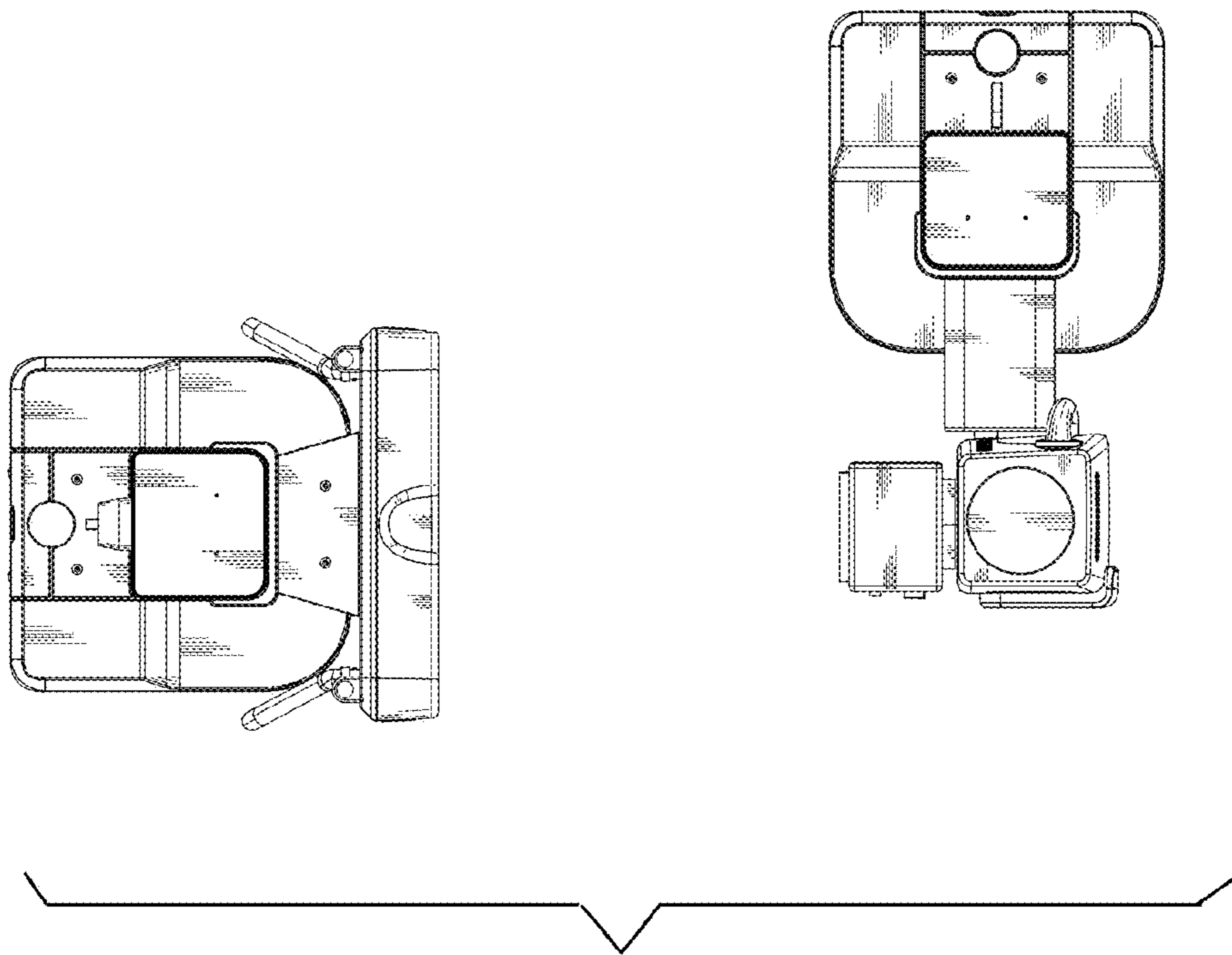


FIG. 6

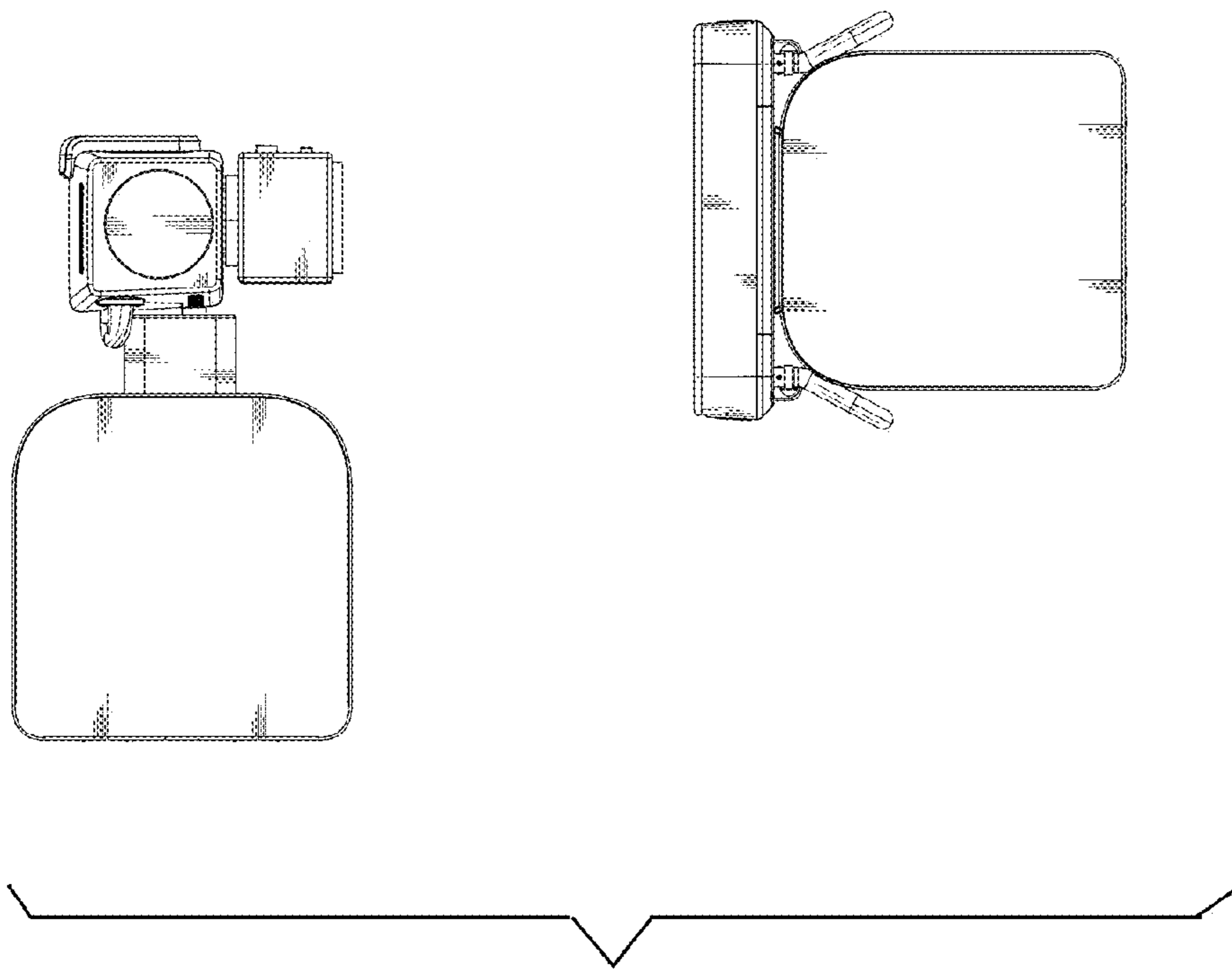


FIG. 7