



US00D767133S

(12) **United States Design Patent**  
**Gotfried**

(10) **Patent No.:** **US D767,133 S**

(45) **Date of Patent:** **\*\* Sep. 20, 2016**

(54) **BONE INSERT**

(71) Applicant: **Yechiel Gotfried**, Kiryat Motzkin (IL)

(72) Inventor: **Yechiel Gotfried**, Kiryat Motzkin (IL)

(\*\*) Term: **14 Years**

(21) Appl. No.: **29/521,247**

(22) Filed: **Mar. 20, 2015**

(51) **LOC (10) Cl.** ..... **24-02**

(52) **U.S. Cl.**  
USPC ..... **D24/155**

(58) **Field of Classification Search**  
USPC ..... D24/155, 133, 135  
CPC ..... A61F 2/4611; A61F 2/442; A61F 2/447;  
A61F 2220/0025; A61F 2310/00023; A61F  
2310/00017; A61F 2002/4475; A61F  
2002/30841; A61F 2002/2835; A61F  
2002/30904; A61F 2002/30785; A61F  
2002/443; A61F 2002/30578

See application file for complete search history.

(56) **References Cited**

**U.S. PATENT DOCUMENTS**

6,008,433	A *	12/1999	Stone	.....	A61B 17/68 623/20.14
D444,878	S *	7/2001	Walter	.....	D24/145
D445,188	S *	7/2001	Walter	.....	D24/145
6,823,871	B2 *	11/2004	Schmieding	.....	A61B 17/1714 128/898
D524,443	S *	7/2006	Blain	.....	D24/155
D541,940	S *	5/2007	Blain	.....	D24/155
D611,147	S *	3/2010	Hanson	.....	D24/155
D615,653	S *	5/2010	Horton	.....	D24/155
D623,748	S *	9/2010	Horton	.....	D24/155
D623,749	S *	9/2010	Horton	.....	D24/155
D627,468	S *	11/2010	Richter	.....	D24/155
D631,967	S *	2/2011	Horton	.....	D24/155

7,892,261	B2 *	2/2011	Bonutti	.....	A61B 17/562 606/279
D650,481	S *	12/2011	Gottlieb	.....	D24/155
D653,757	S *	2/2012	Binder	.....	D24/155
D674,900	S *	1/2013	Janice	.....	D24/155
D677,791	S *	3/2013	Danacioglu	.....	D24/155
D681,205	S *	4/2013	Farris	.....	D24/155

\* cited by examiner

*Primary Examiner* — Charles Hanson

(74) *Attorney, Agent, or Firm* — Holtz, Holtz & Volek PC

(57) **CLAIM**

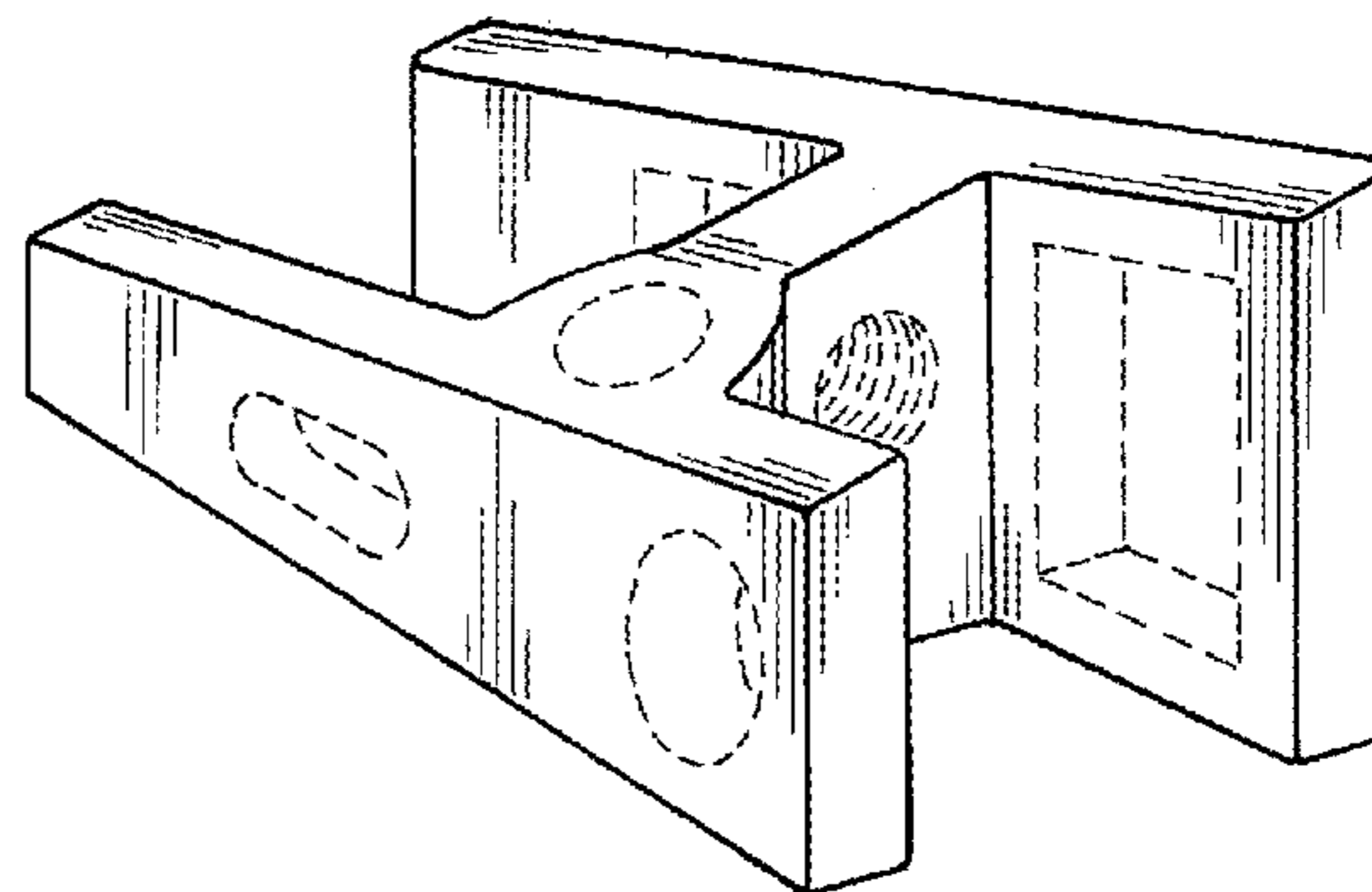
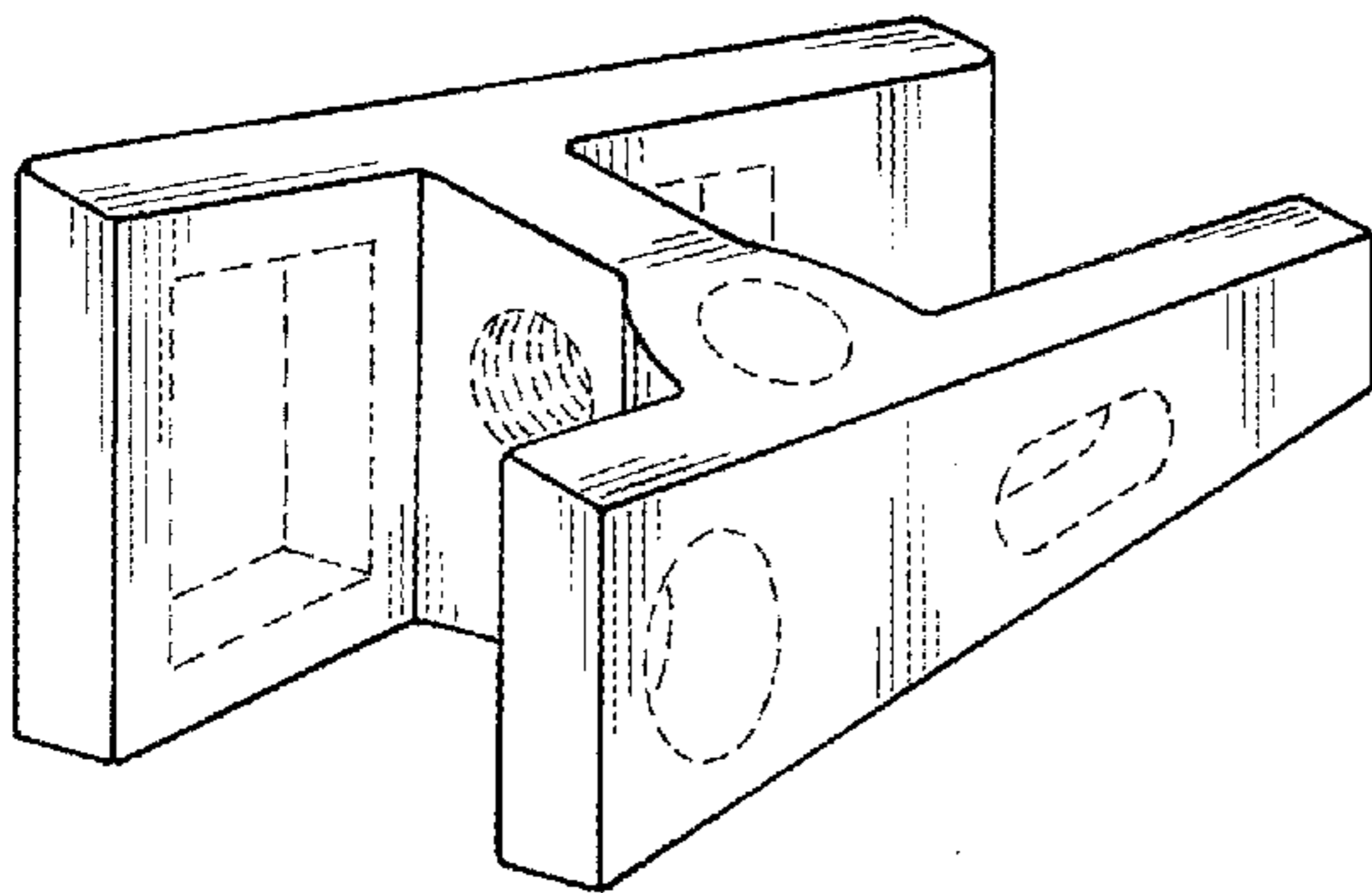
The ornamental design for a bone insert, as shown and described.

**DESCRIPTION**

FIG. 1 is a front and top perspective view of a bone insert for use on the left side of a body, showing my new design; FIG. 2 is right side view thereof; FIG. 3 is a left side view thereof; FIG. 4 is a top view thereof; FIG. 5 is a bottom view thereof; FIG. 6 is a rear view thereof; FIG. 7 is a front view thereof; FIG. 8 is a front and top perspective view of a bone insert for use on the right side of a body; FIG. 9 is a left side view thereof; FIG. 10 is a right side view thereof; FIG. 11 is a top view thereof; FIG. 12 is a bottom view thereof; FIG. 13 is a rear view thereof; and, FIG. 14 is a front view thereof.

The broken lines immediately adjacent to the shaded areas represent the bounds of the claimed design while all other broken lines represent environmental structure and are for illustrative purposes only; the broken lines form no part of the claimed design.

**1 Claim, 6 Drawing Sheets**



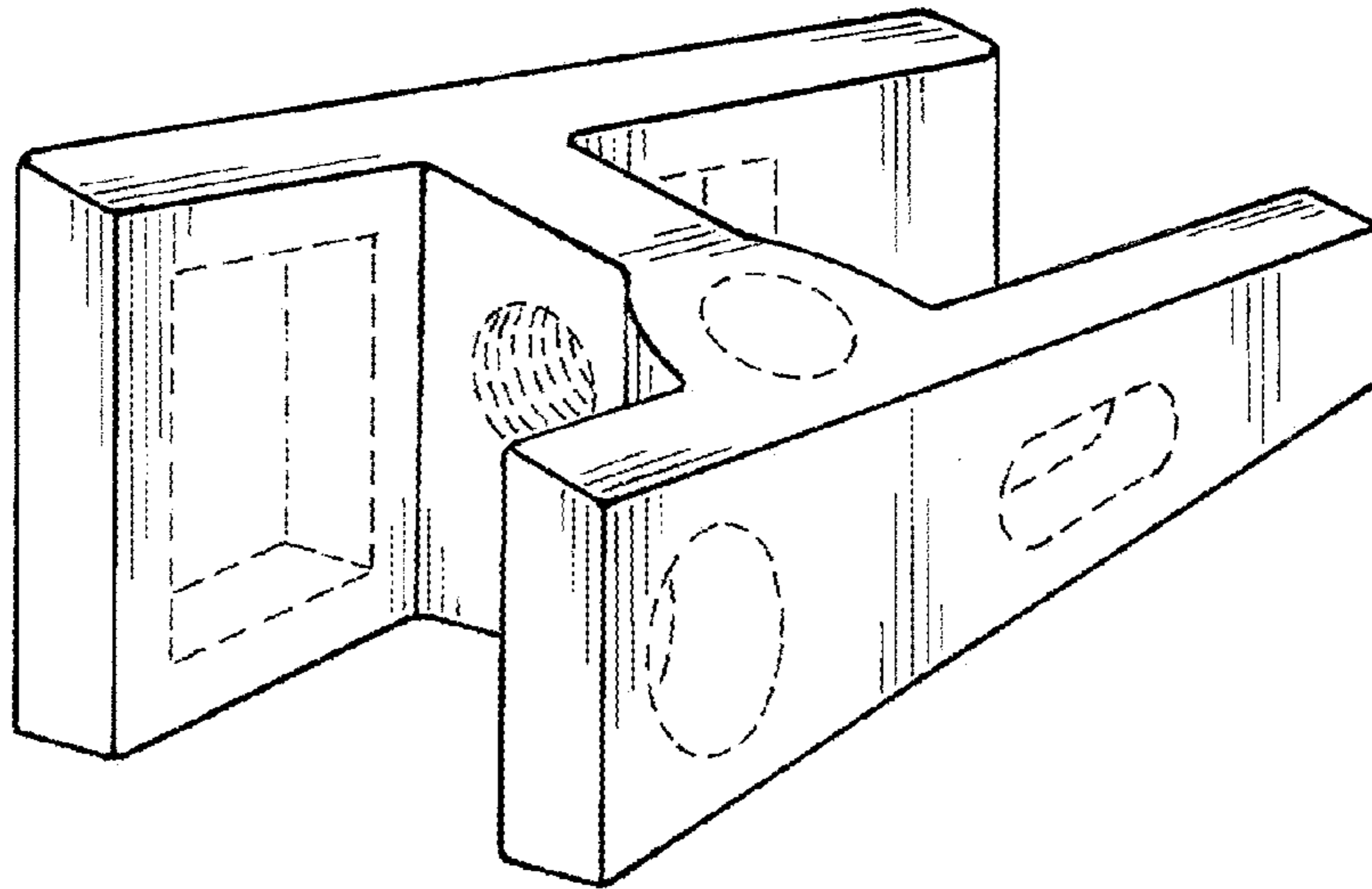


FIG. 1

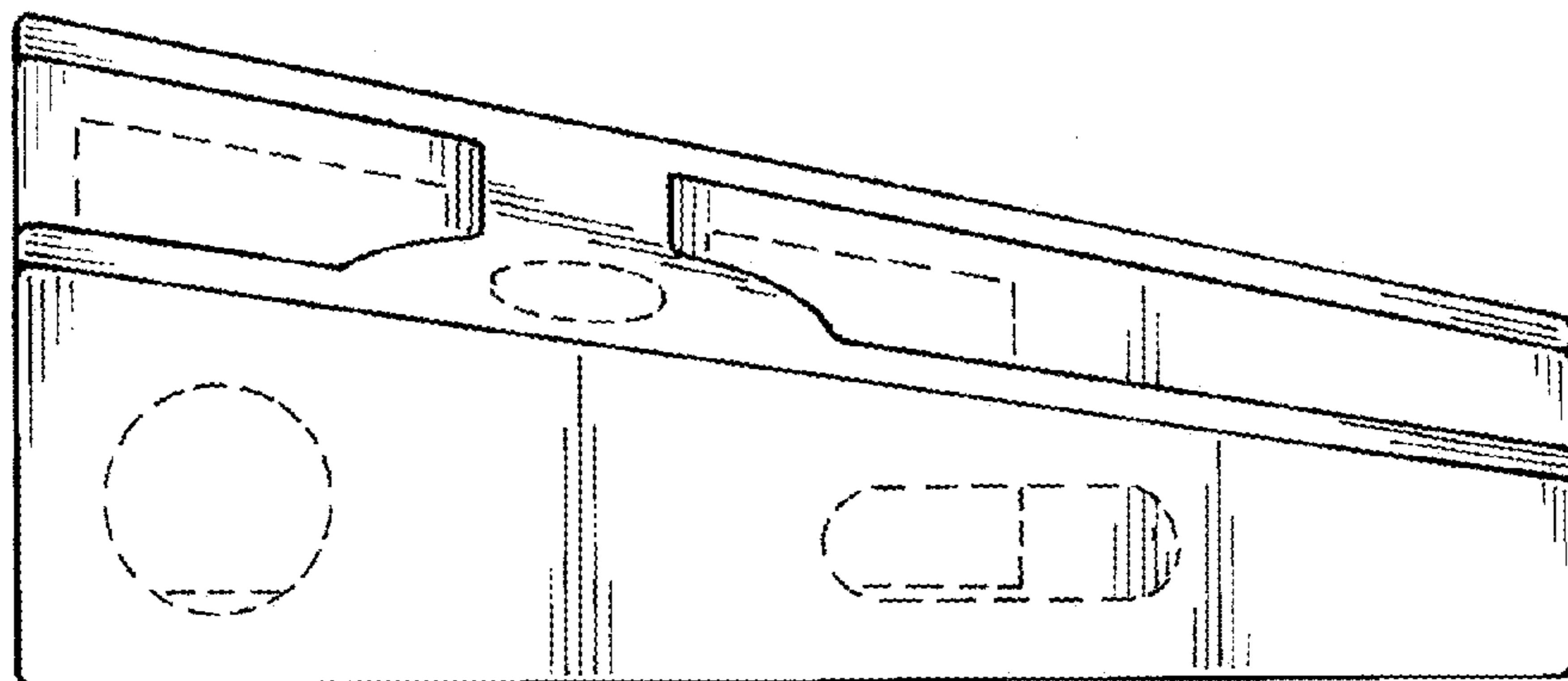


FIG. 2

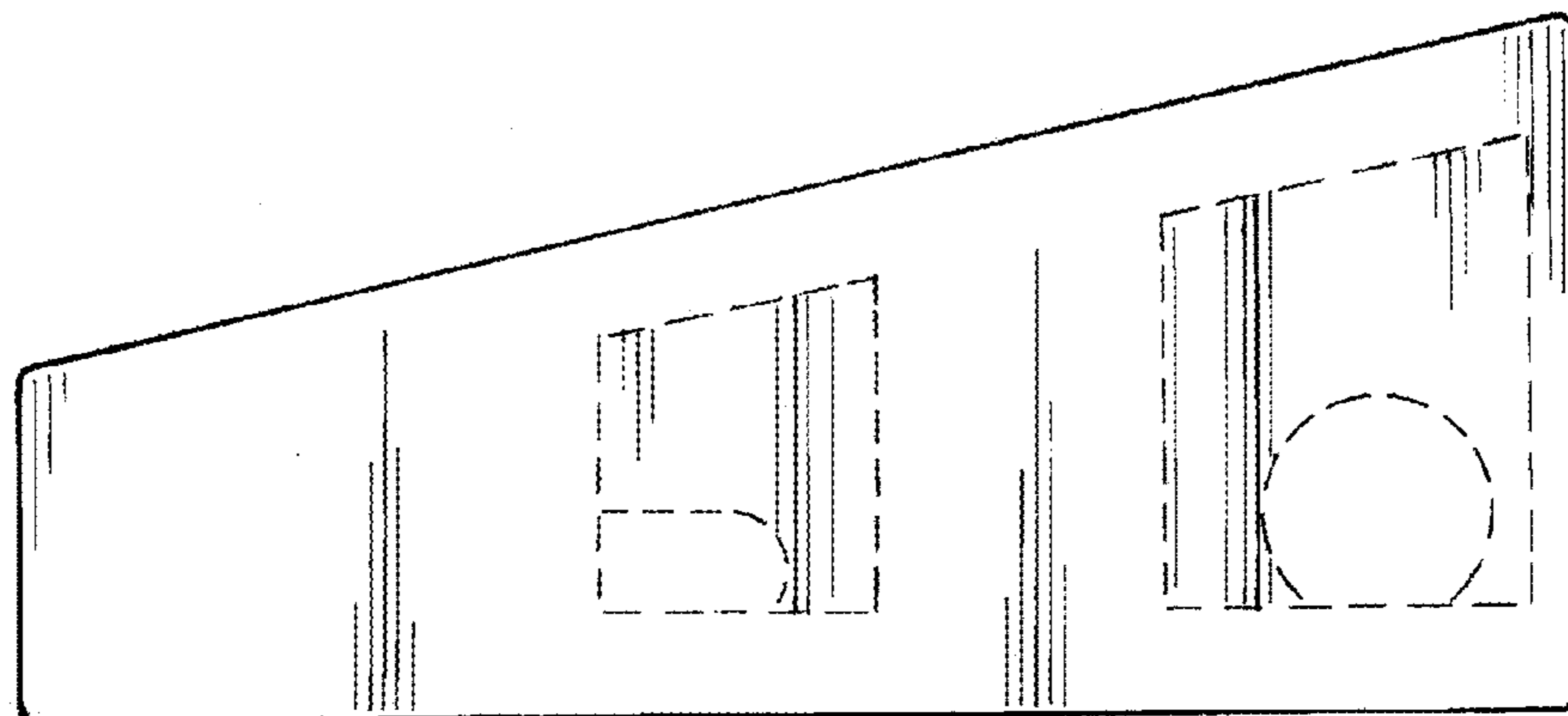


FIG. 3

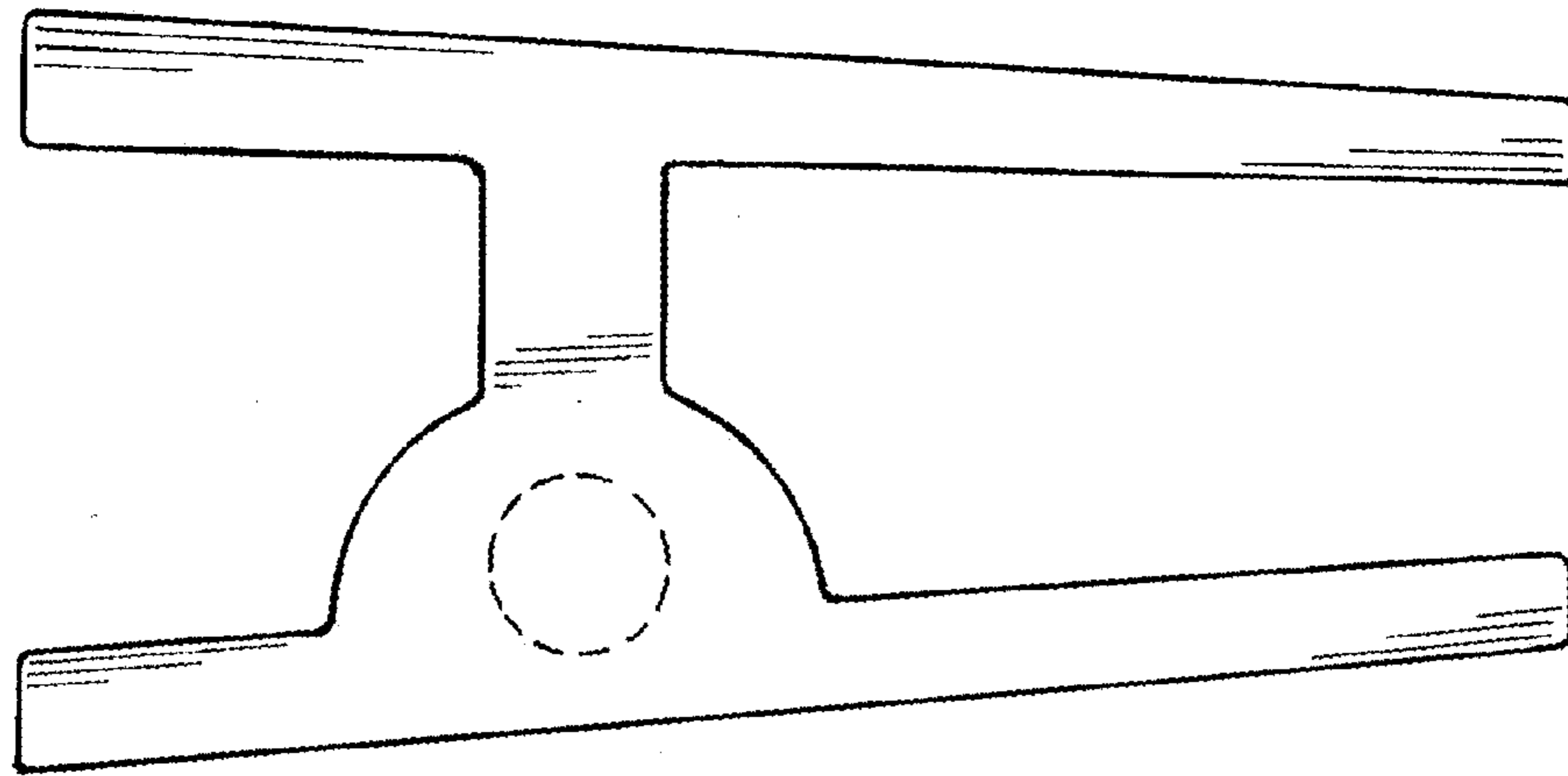


FIG. 4

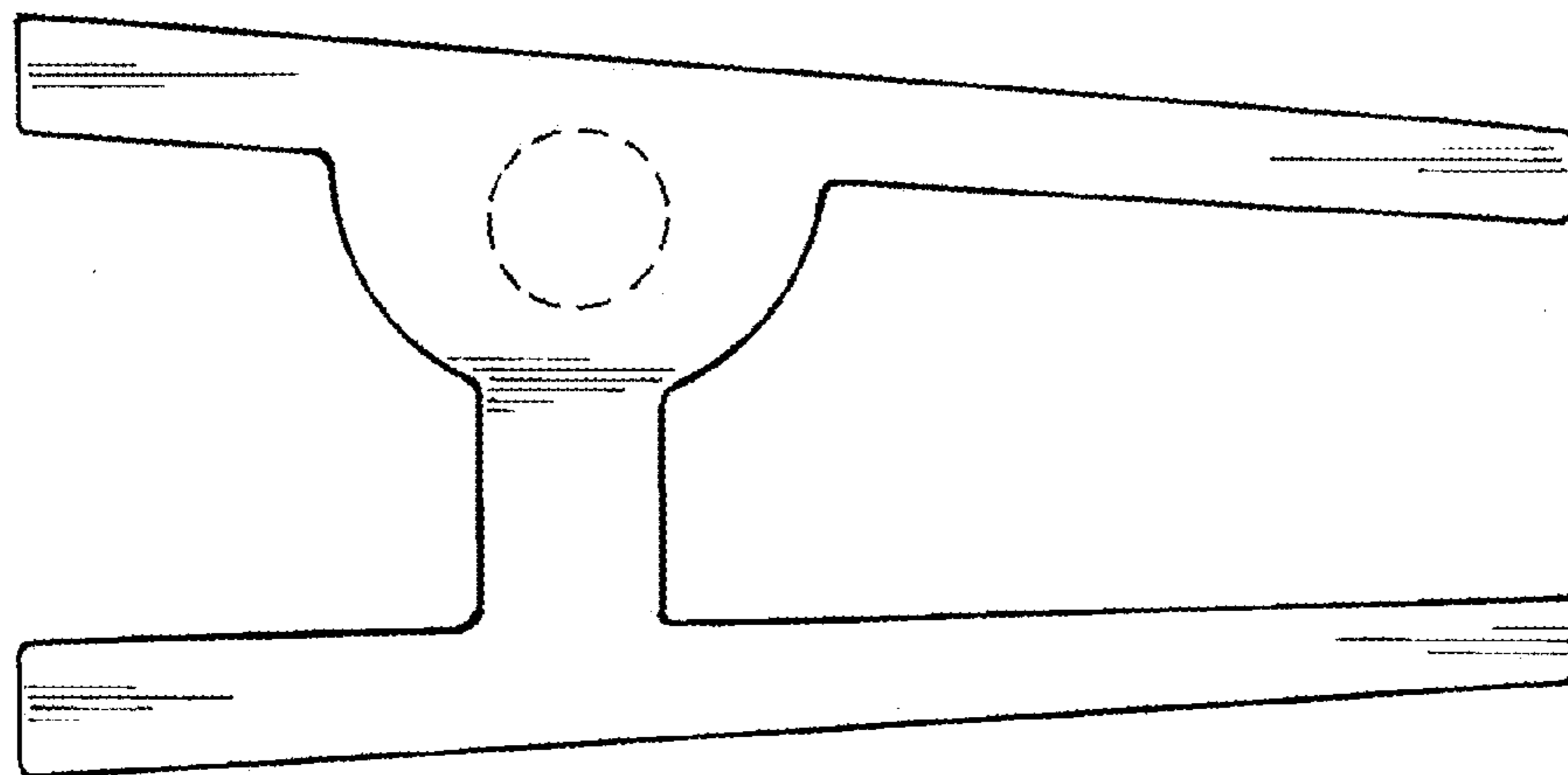


FIG. 5

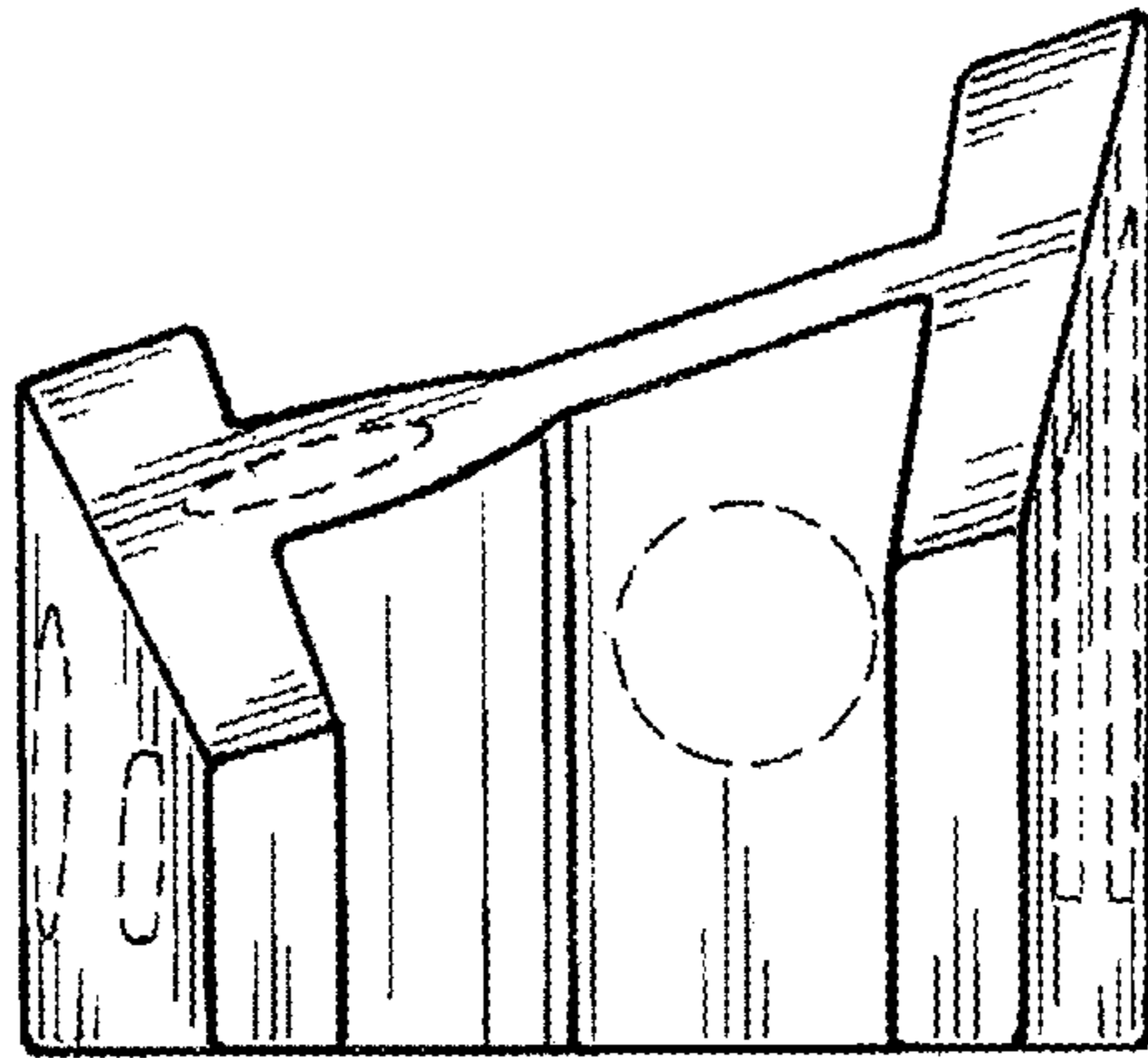


FIG. 6

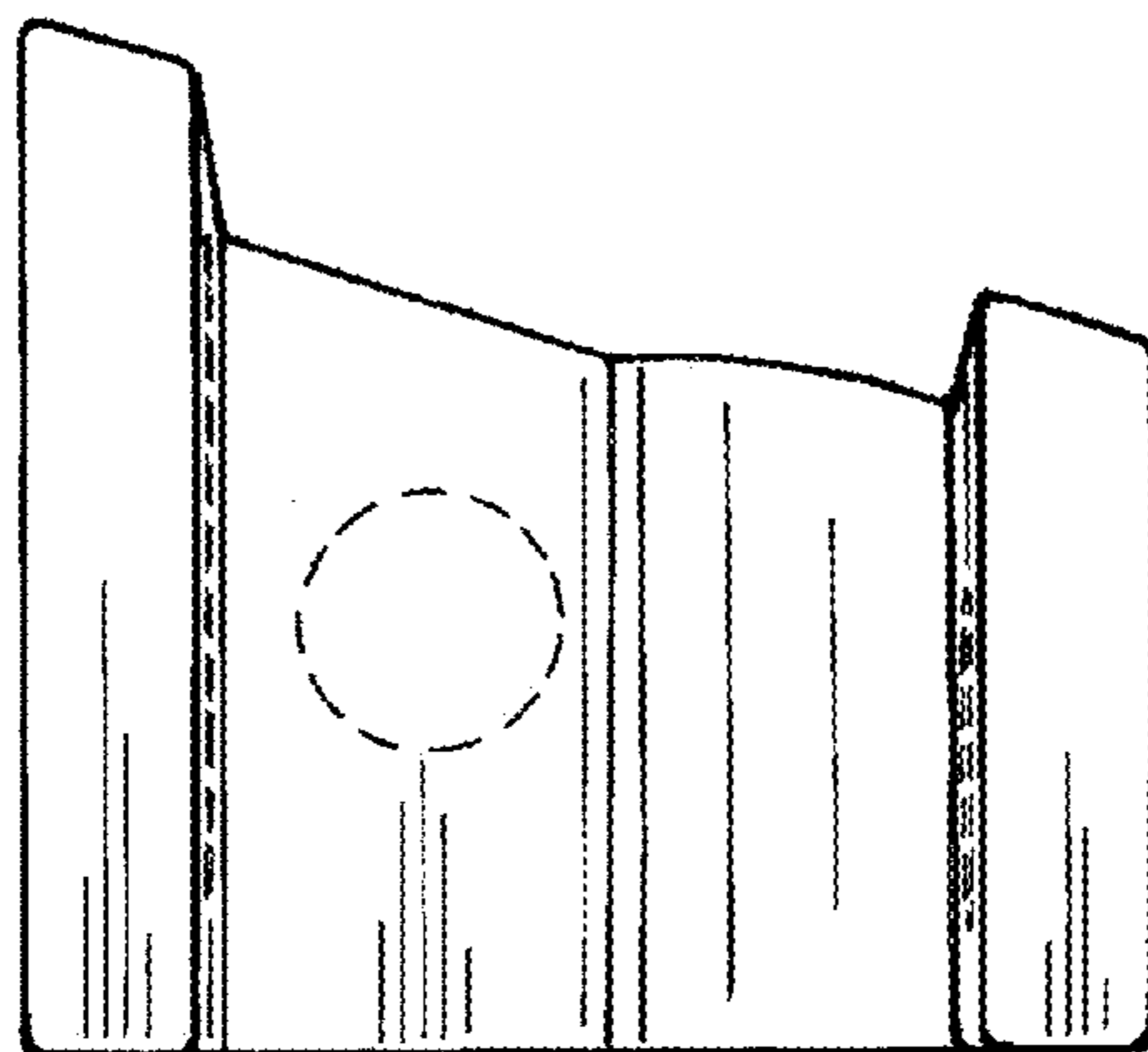


FIG. 7



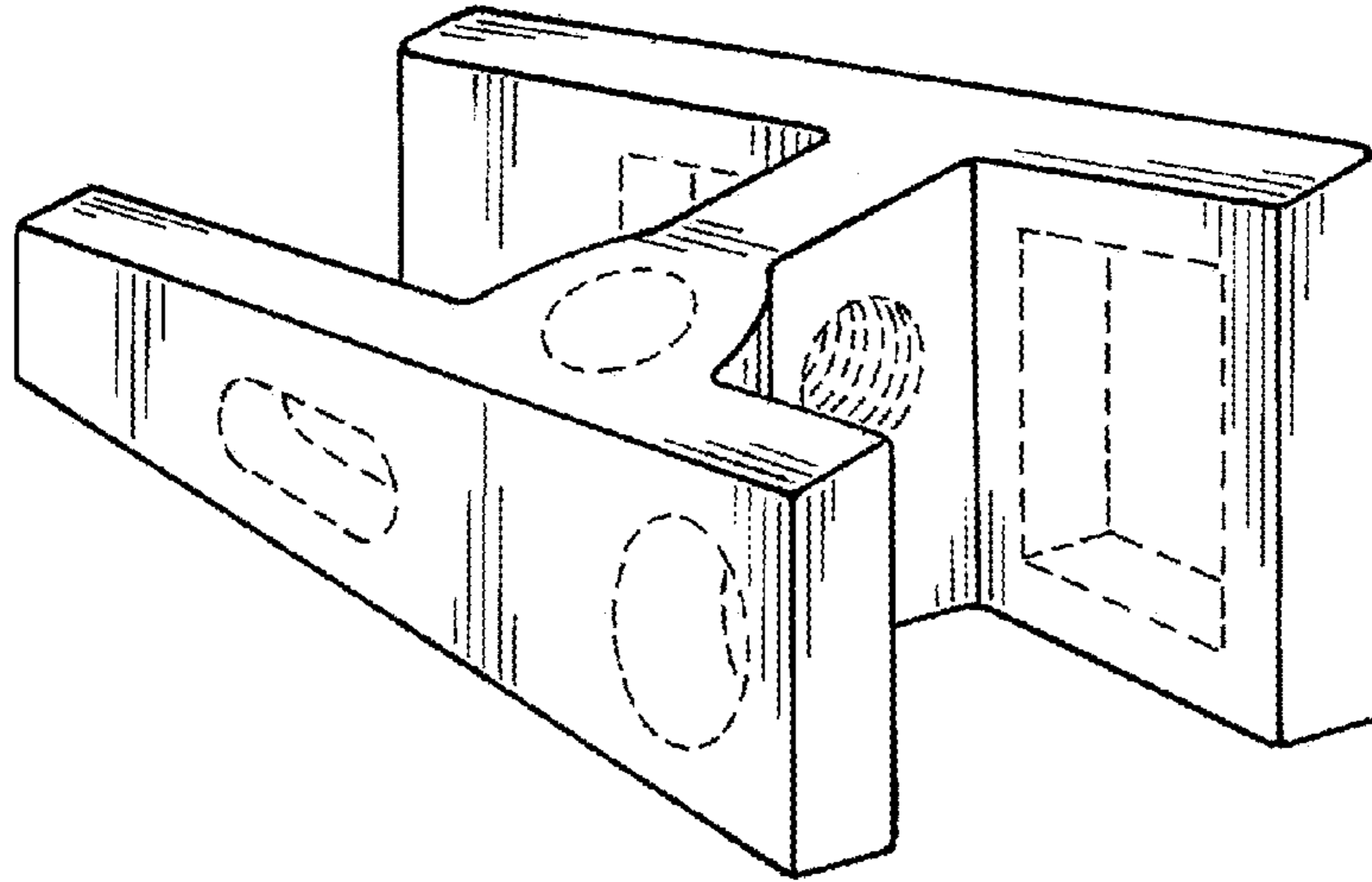


FIG. 8

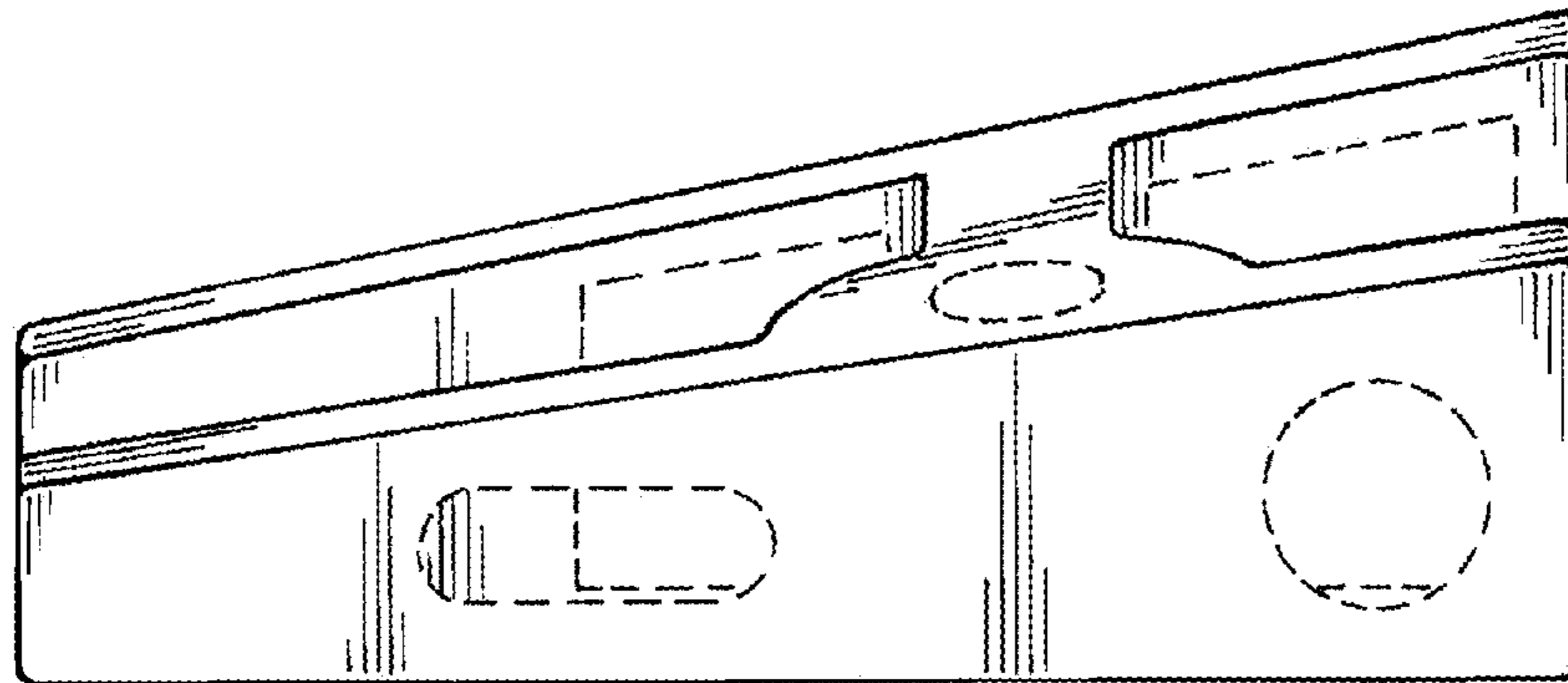


FIG. 9

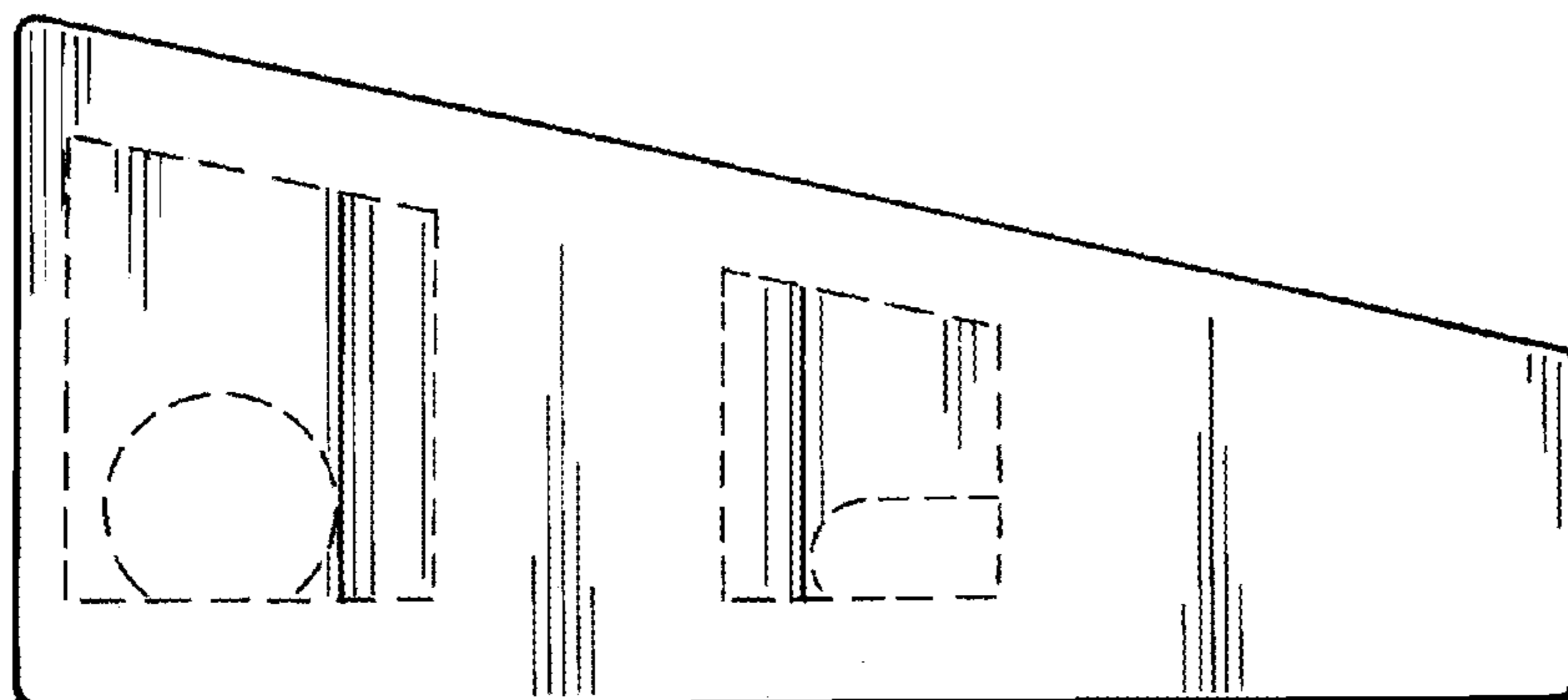


FIG. 10

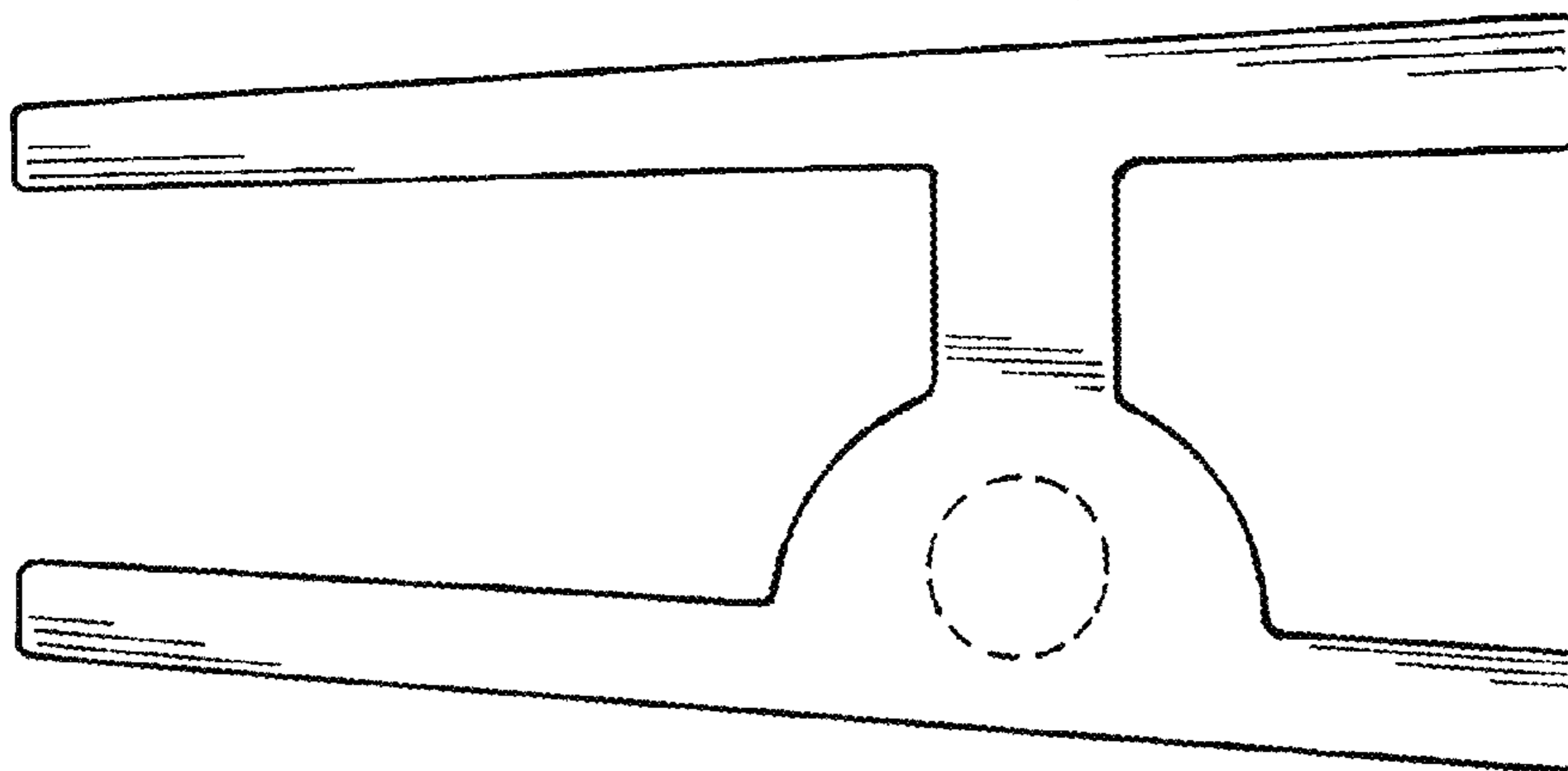


FIG. 11

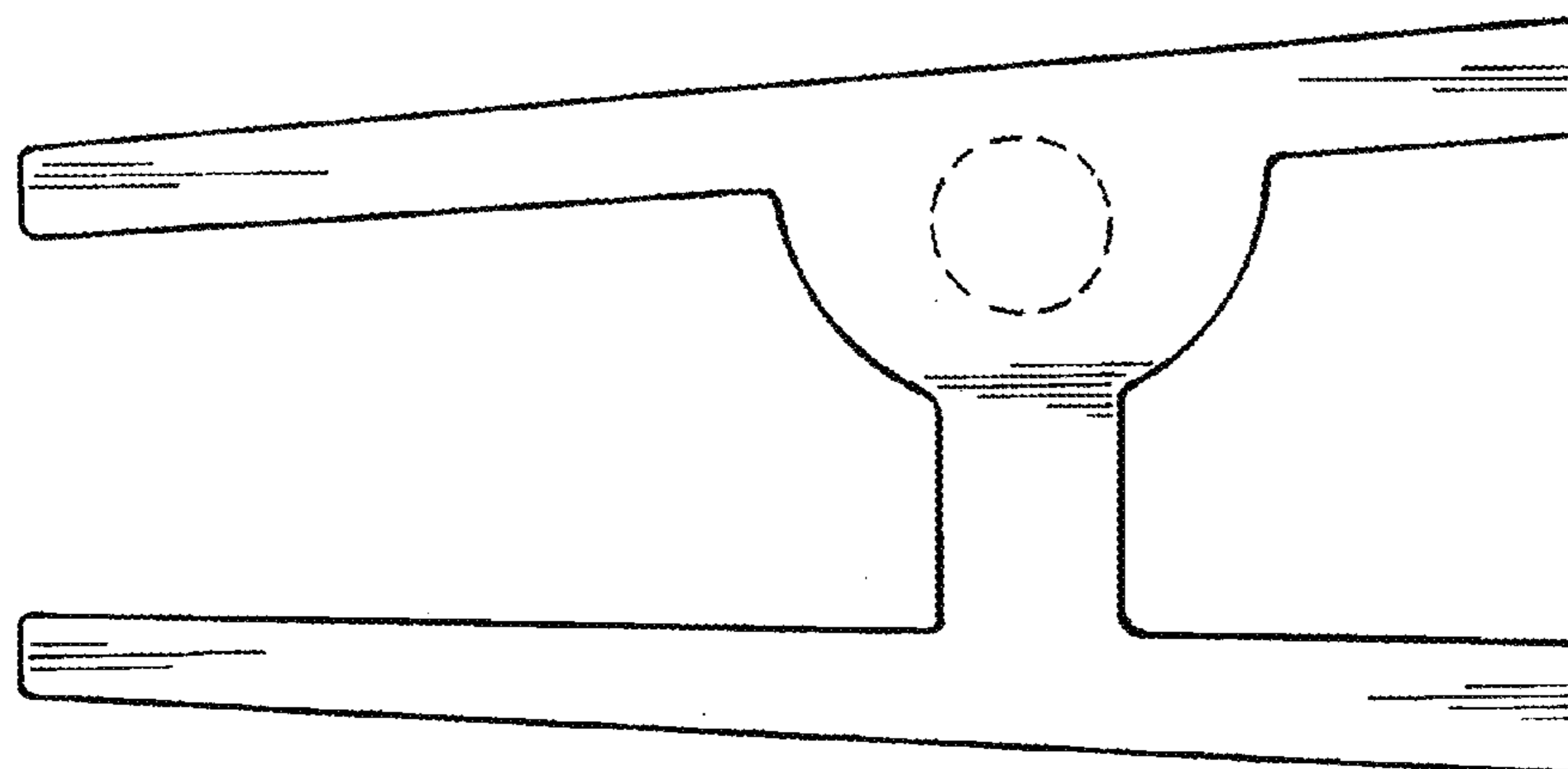


FIG. 12

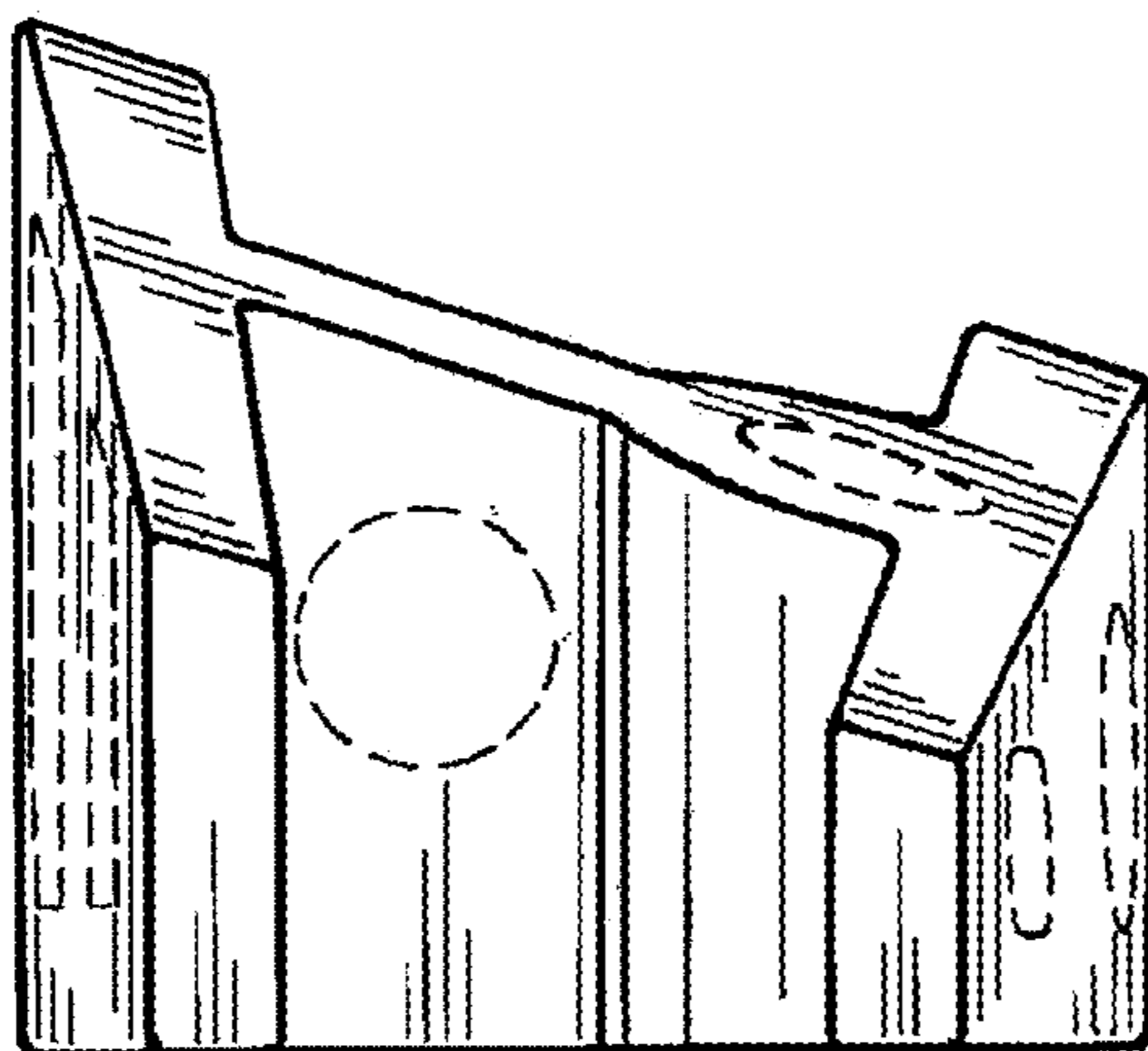


FIG. 13

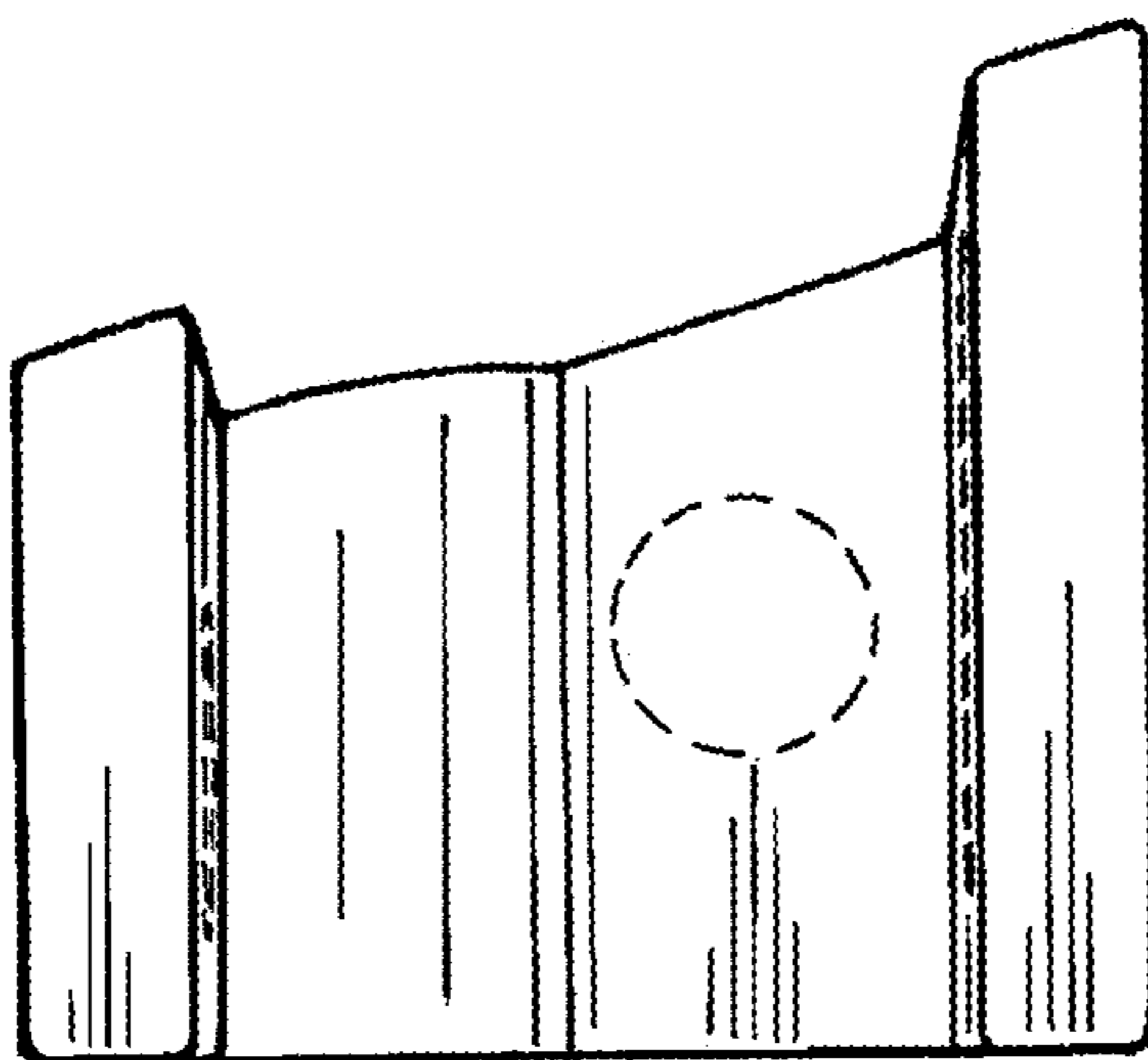


FIG. 14