



US00D767132S

(12) **United States Design Patent** (10) **Patent No.:** **US D767,132 S**
Shalon et al. (45) **Date of Patent:** **** *Sep. 20, 2016**

(54) **TRANSPARENT ANAL PLUG**

(56) **References Cited**

- (71) Applicant: **Renew Medical Inc.**, Palo Alto, CA (US)
- (72) Inventors: **Tidhar Shalon**, Palo Alto, CA (US); **Guy Kotlisky**, K-far Shemaryahu (IL)
- (73) Assignee: **Renew Medical Inc.**, Menlo Park, CA (US)
- (*) Notice: This patent is subject to a terminal disclaimer.
- (**) Term: **14 Years**
- (21) Appl. No.: **29/525,474**
- (22) Filed: **Apr. 30, 2015**

U.S. PATENT DOCUMENTS

5,722,931	A *	3/1998	Heaven	A61F 2/0009 600/29
6,110,099	A *	8/2000	Benderev	A61F 2/0009 128/DIG. 25
7,553,273	B2 *	6/2009	Ferguson	A61F 2/0009 600/29
8,439,819	B2 *	5/2013	Shalon	A61F 2/0009 128/887
D737,967	S *	9/2015	Shalon	D24/141
D737,968	S *	9/2015	Shalon	D24/141
D737,970	S *	9/2015	Shalon	D24/141
2011/0295058	A1 *	12/2011	Henriksson	A61F 2/005 600/37

* cited by examiner

Primary Examiner — Wan Laymon

(74) *Attorney, Agent, or Firm* — Ash Tankha; Lipton, Weinberger & Husick

Related U.S. Application Data

- (60) Continuation-in-part of application No. 29/469,903, filed on Oct. 16, 2013, now Pat. No. Des. 737,970, which is a division of application No. 29/423,621, filed on Jun. 3, 2012, now Pat. No. Des. 695,403, which is a continuation-in-part of application No. 12/376,294, filed as application No. PCT/IL2008/001450 on Nov. 5, 2008, now abandoned.
- (51) **LOC (10) Cl.** **24-02**
- (52) **U.S. Cl.**
USPC **D24/141**
- (58) **Field of Classification Search**
USPC D24/133, 140-141, 215, 107
CPC .. A61F 2/0009; A61F 2/0004; A61F 2/0022;
A61F 2/005; A61F 5/48; A61F 5/451
See application file for complete search history.

(57) **CLAIM**

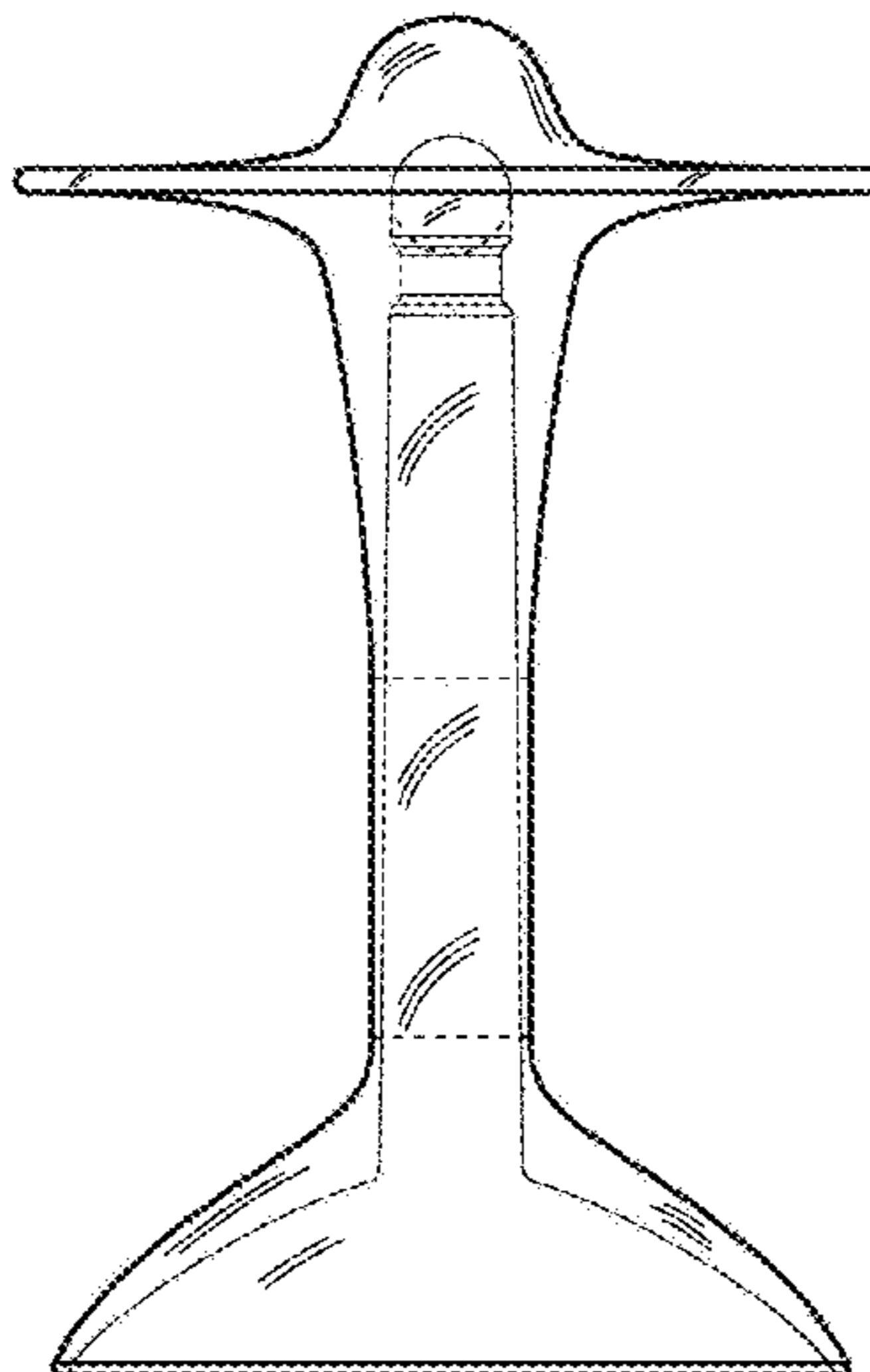
The ornamental design for a transparent anal plug, as shown and described.

DESCRIPTION

FIG. 1 is a front view of the transparent anal plug showing our design; the rear view is a mirror image of the front view; FIG. 2 is a left side view thereof; the right side view is a mirror image of the left side view; FIG. 3 is a top view thereof; FIG. 4 is a bottom view thereof; and, FIG. 5 is a cross-sectional view thereof, taken in the direction of line 5-5 of FIG. 3.

The broke line portion of the figure drawings is included to show unclaimed subject matter only and forms no part of the claimed design.

1 Claim, 4 Drawing Sheets



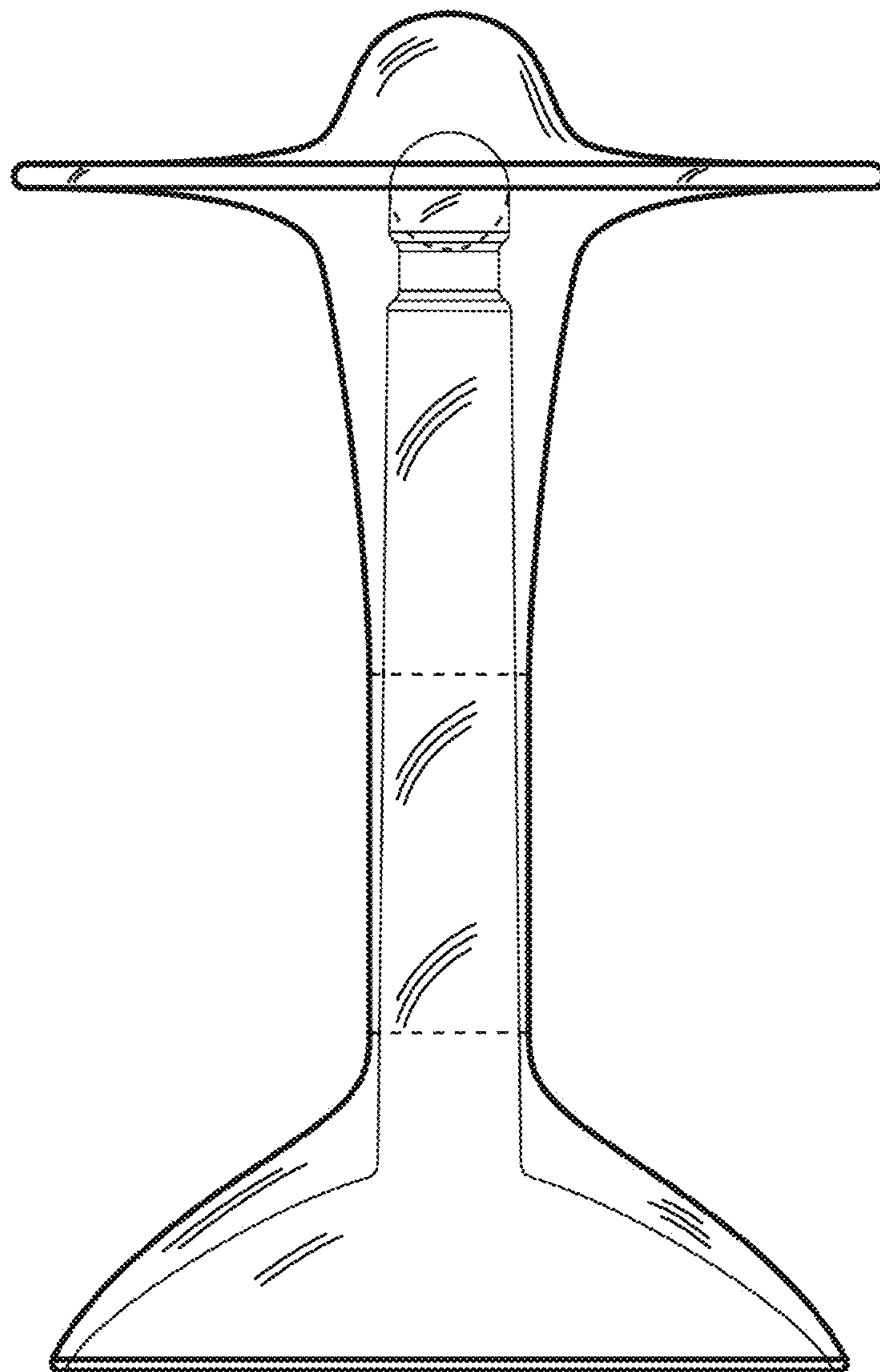


FIG. 1

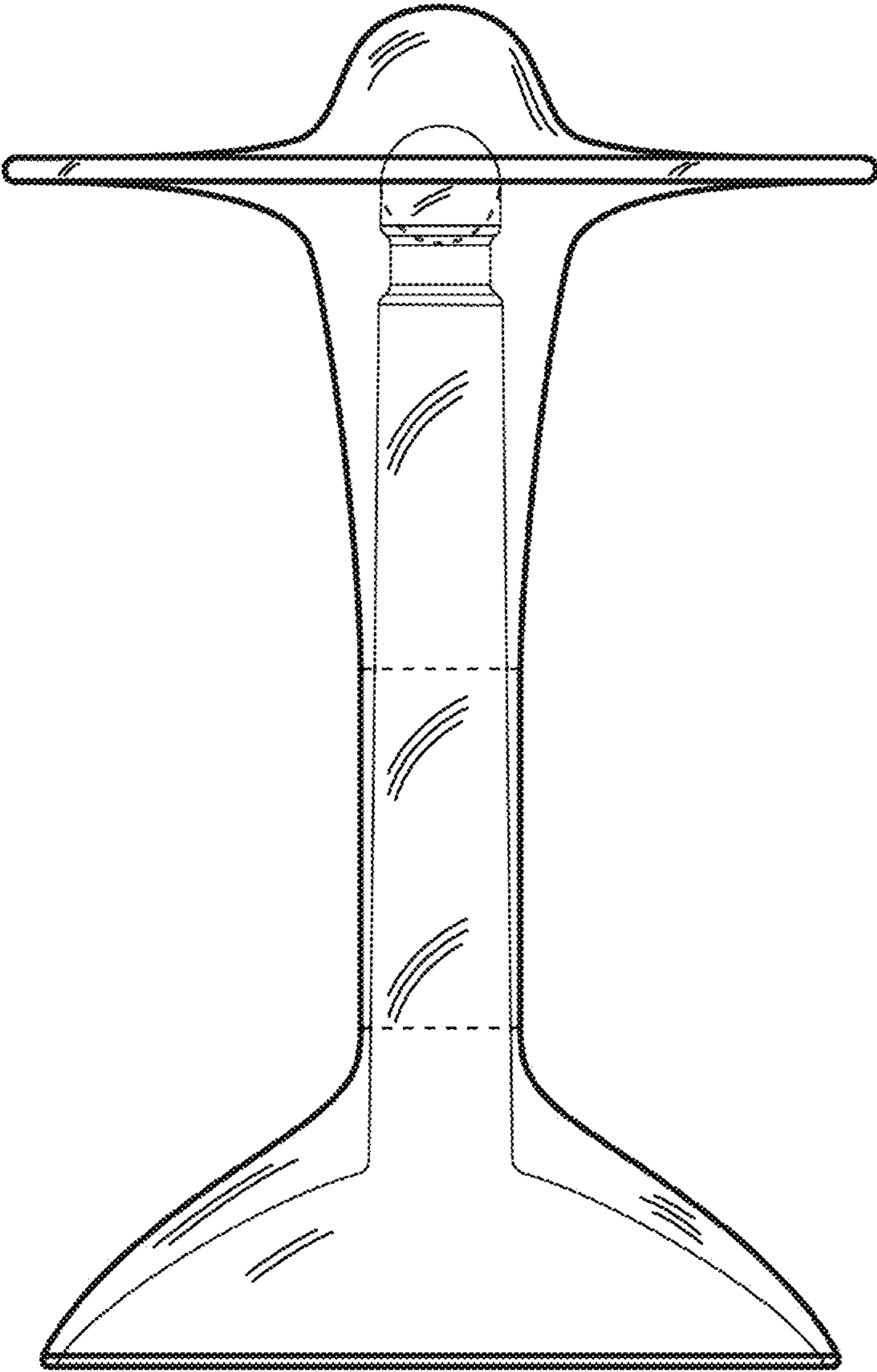


FIG. 2

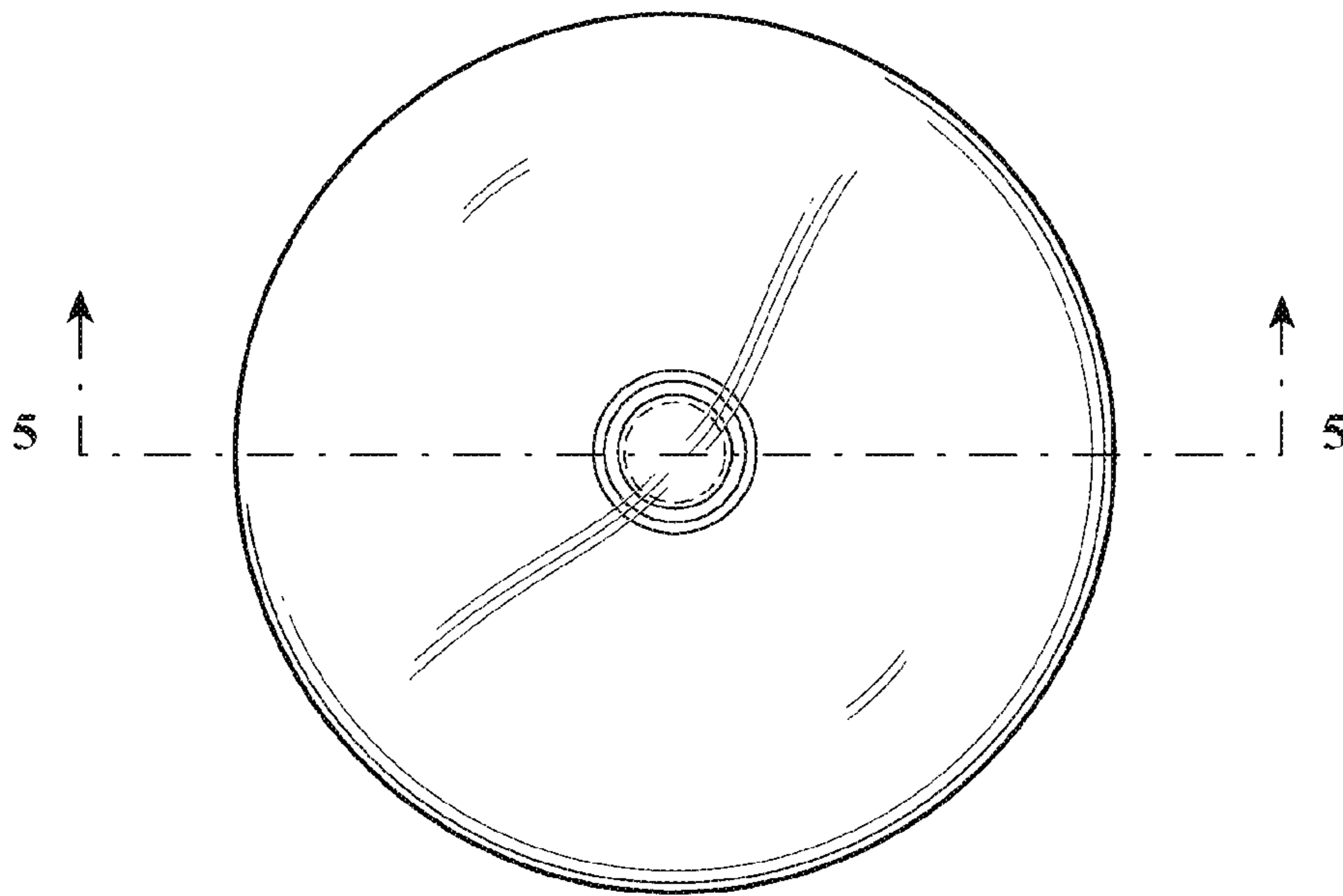


FIG. 3

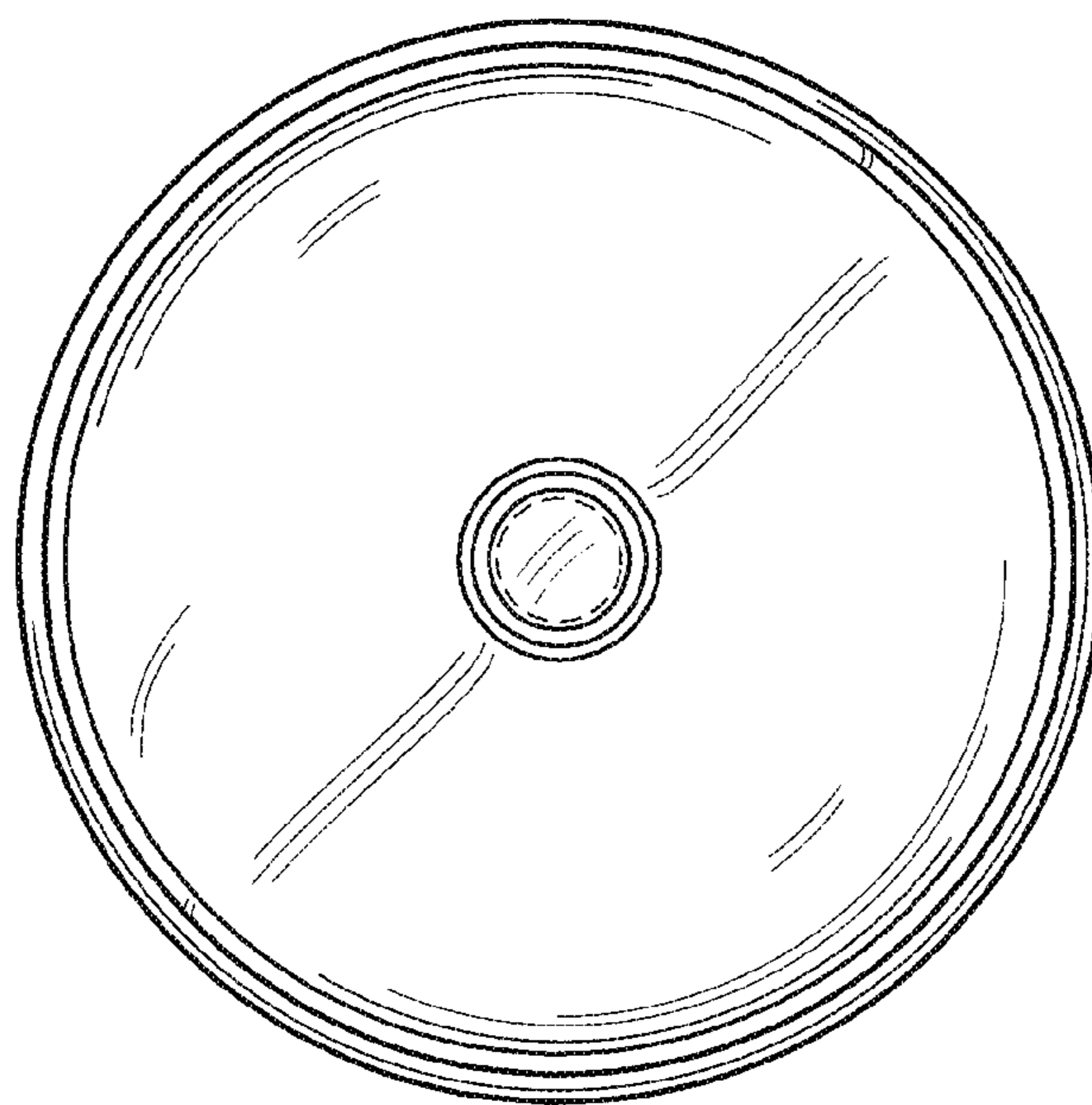


FIG. 4

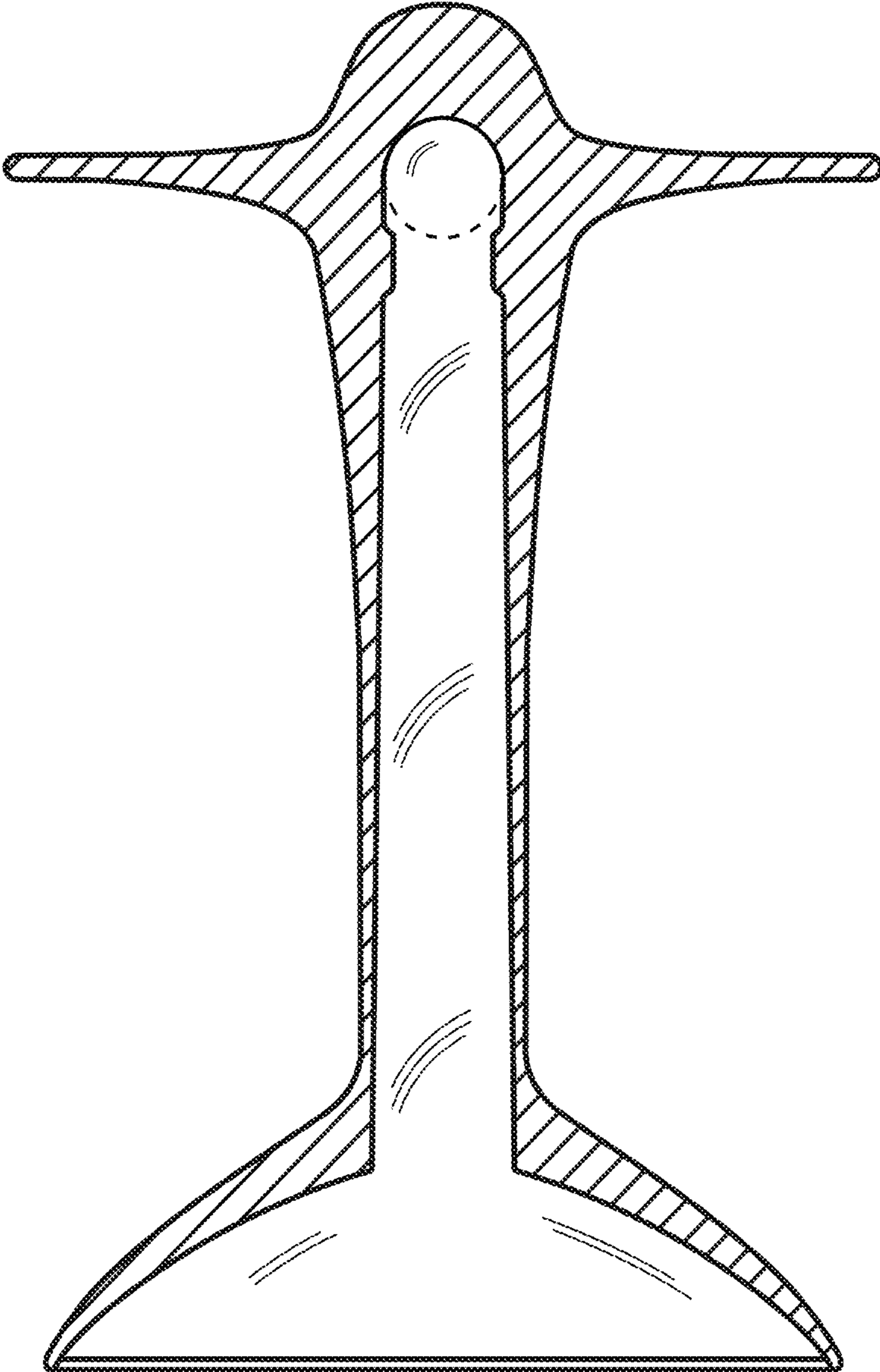


FIG. 5