



US00D767131S

(12) **United States Design Patent** (10) **Patent No.:** **US D767,131 S**  
**Gomez et al.** (45) **Date of Patent:** **\*\* Sep. 20, 2016**

(54) **LAPAROSCOPIC VISUALIZATION DEVICE**  
(71) Applicant: **Covidien LP**, Mansfield, MA (US)  
(72) Inventors: **Ricardo Alexander Gomez**, Lighthouse Point, ME (US); **Sandy Lawrence Heck**, Los Angeles, CA (US); **Eric William Conley**, South Berwick, ME (US)  
(73) Assignee: **Covidien LP**, Mansfield, MA (US)  
(\*\*) Term: **14 Years**  
(21) Appl. No.: **29/482,105**  
(22) Filed: **Feb. 13, 2014**  
(51) **LOC (10) Cl.** ..... **24-02**  
(52) **U.S. Cl.**  
USPC ..... **D24/138**  
(58) **Field of Classification Search**  
USPC ..... D24/107, 133, 135, 140, 144, 186;  
600/160, 169, 204; 604/171-177;  
348/223.1  
See application file for complete search history.

D717,432 S \* 11/2014 Leroy et al. .... D24/138  
2014/0357957 A1\* 12/2014 Bhadri et al. .... 600/204  
2015/0133738 A1\* 5/2015 Foley ..... 600/204

**FOREIGN PATENT DOCUMENTS**

WO 2007/089719 A2 8/2007

**OTHER PUBLICATIONS**

Front of product packaging entitled "Defogging Heated Endoscopic Lens Protector," REF 21-345, dated Oct. 2006, 1 page.

\* cited by examiner

*Primary Examiner* — Ian Simmons  
*Assistant Examiner* — Samantha Q Lawrence

(57) **CLAIM**

The ornamental design for a laparoscopic visualization device, as shown and described.

**DESCRIPTION**

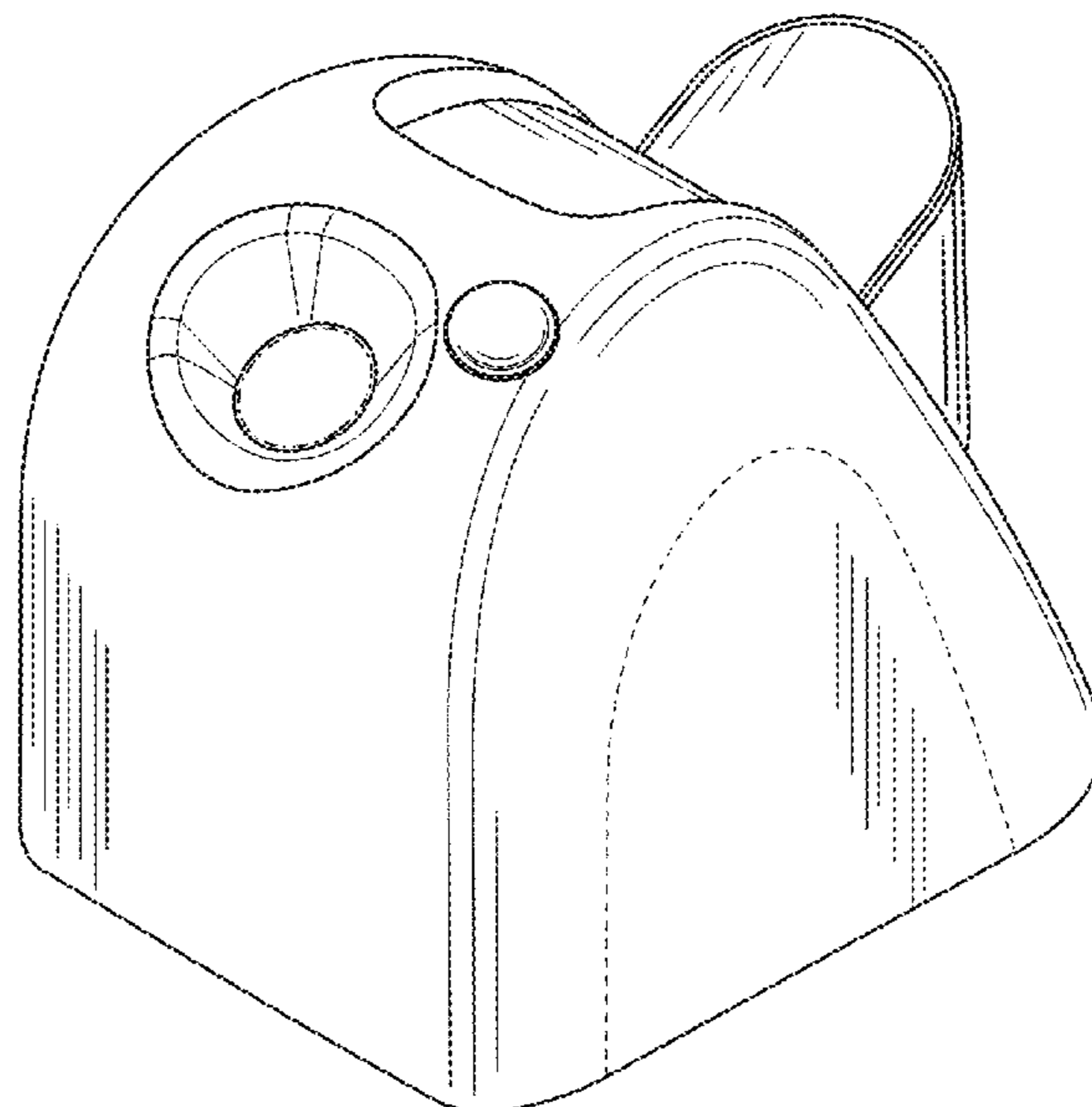
FIG. 1 is a perspective view of a laparoscopic visualization device;  
FIG. 2 is a bottom plan view thereof;  
FIG. 3 is a top plan view thereof;  
FIG. 4 is a front view thereof;  
FIG. 5 is a rear view thereof;  
FIG. 6 is a right side view thereof; and,  
FIG. 7 is a left side view thereof.  
The broken lines shown in FIGS. 1, 6, and 7 illustrate portions of the laparoscopic visualization device that form no part of the claimed design. The dash-dot lines shown in FIGS. 1, 3, and 4 illustrates a boundary line which forms no part of the claimed design.

**1 Claim, 4 Drawing Sheets**

(56) **References Cited**

**U.S. PATENT DOCUMENTS**

D566,265 S \* 4/2008 Hochman et al. .... D24/107  
D579,540 S \* 10/2008 Hochman et al. .... D24/107  
D590,506 S \* 4/2009 Krishnan ..... D24/186  
D590,507 S \* 4/2009 Krishnan ..... D24/186  
D624,593 S \* 9/2010 Prendiville et al. .... D19/62  
8,152,717 B2 4/2012 Gomez  
D685,470 S \* 7/2013 Schroeder et al. .... D24/144  
D687,150 S \* 7/2013 Segman ..... D24/186



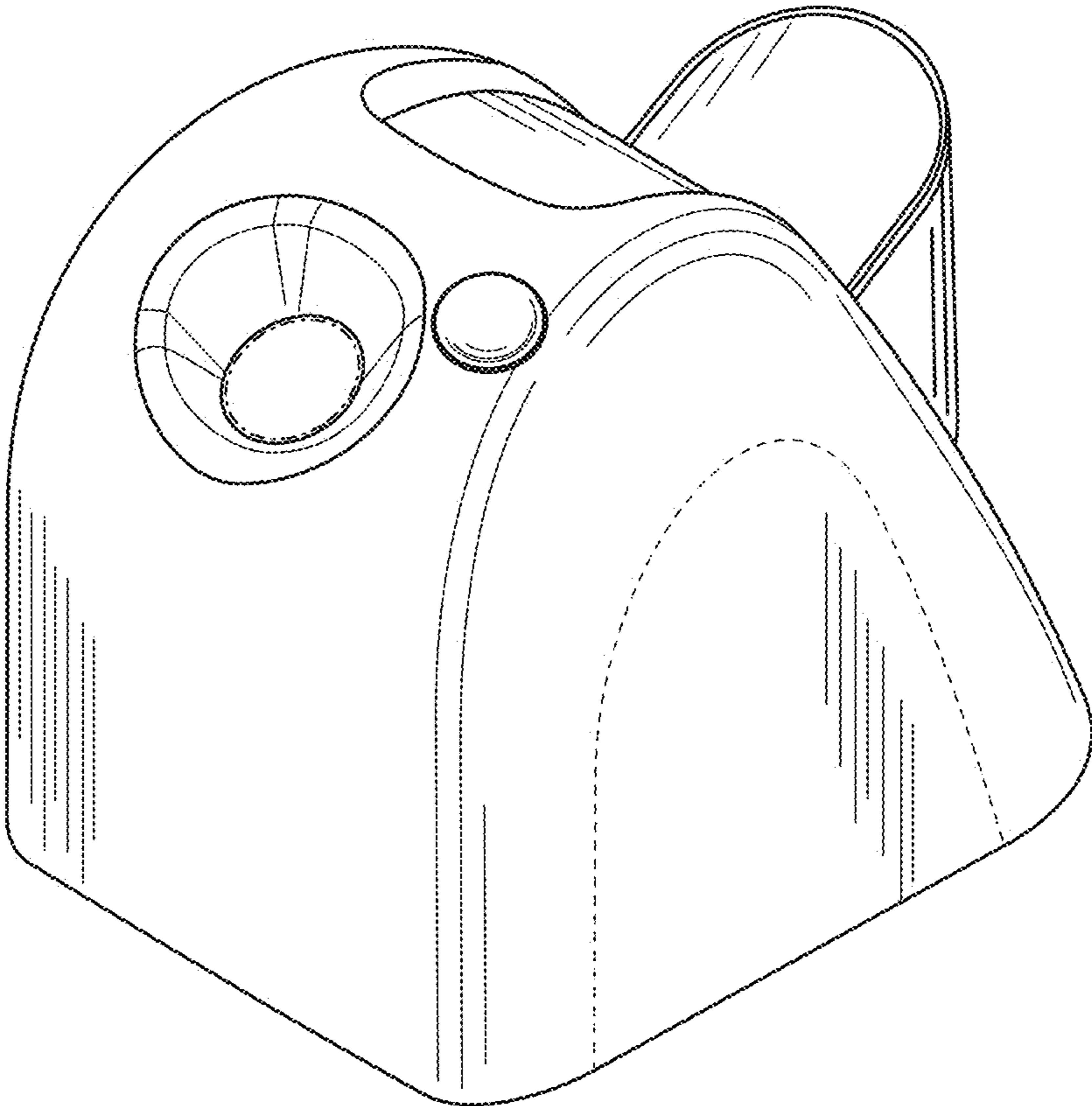


FIG. 1

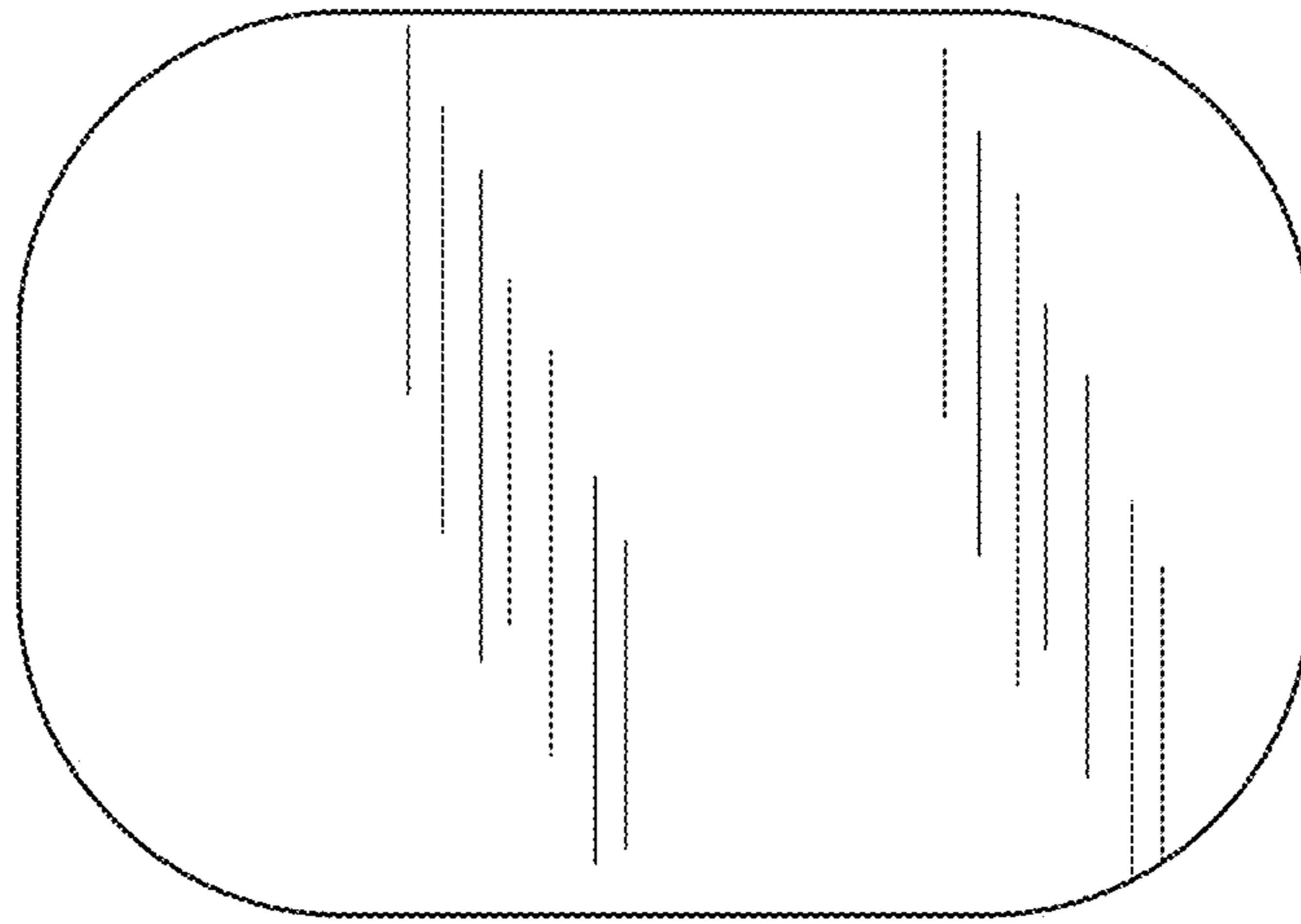


FIG. 2

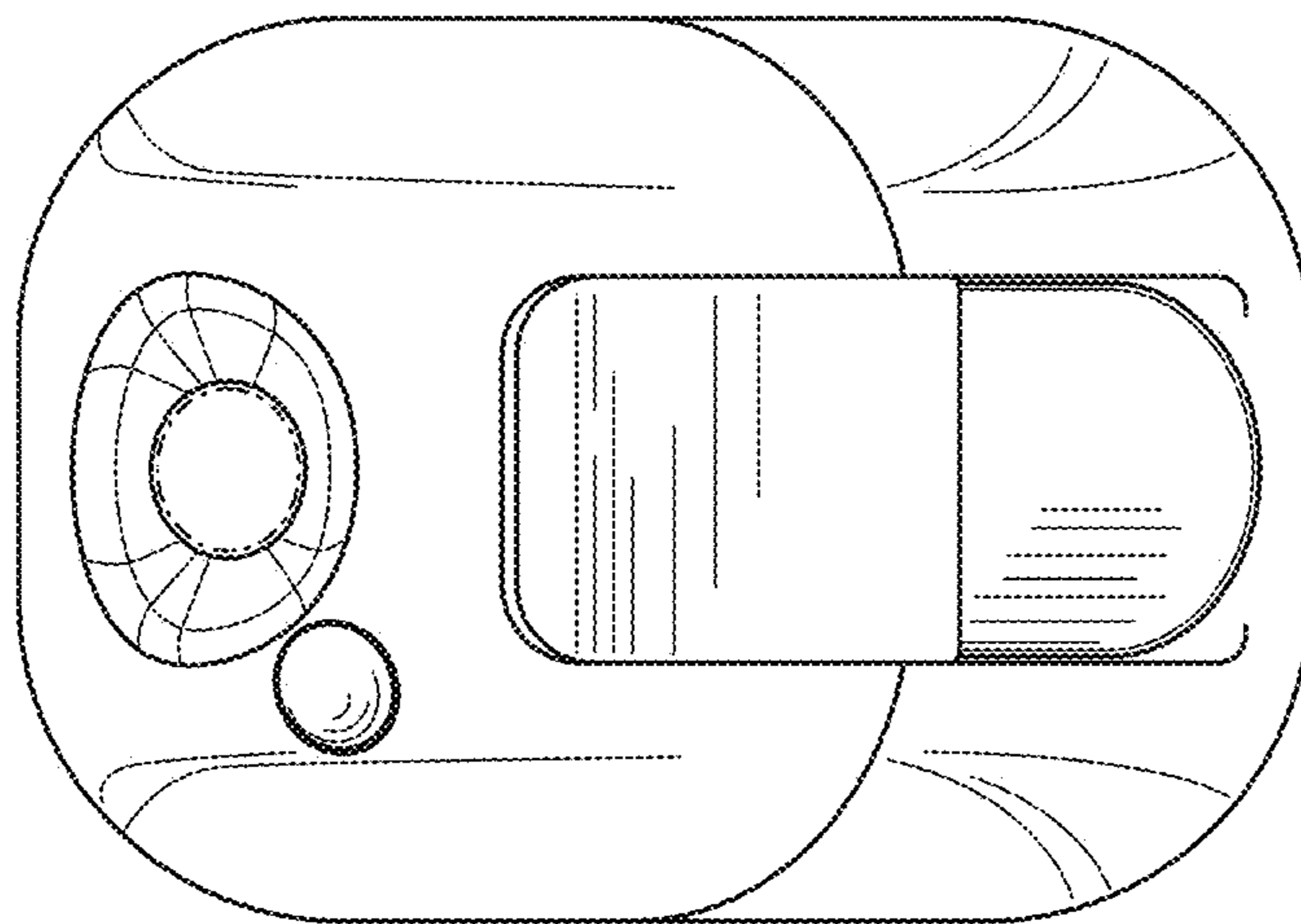


FIG. 3

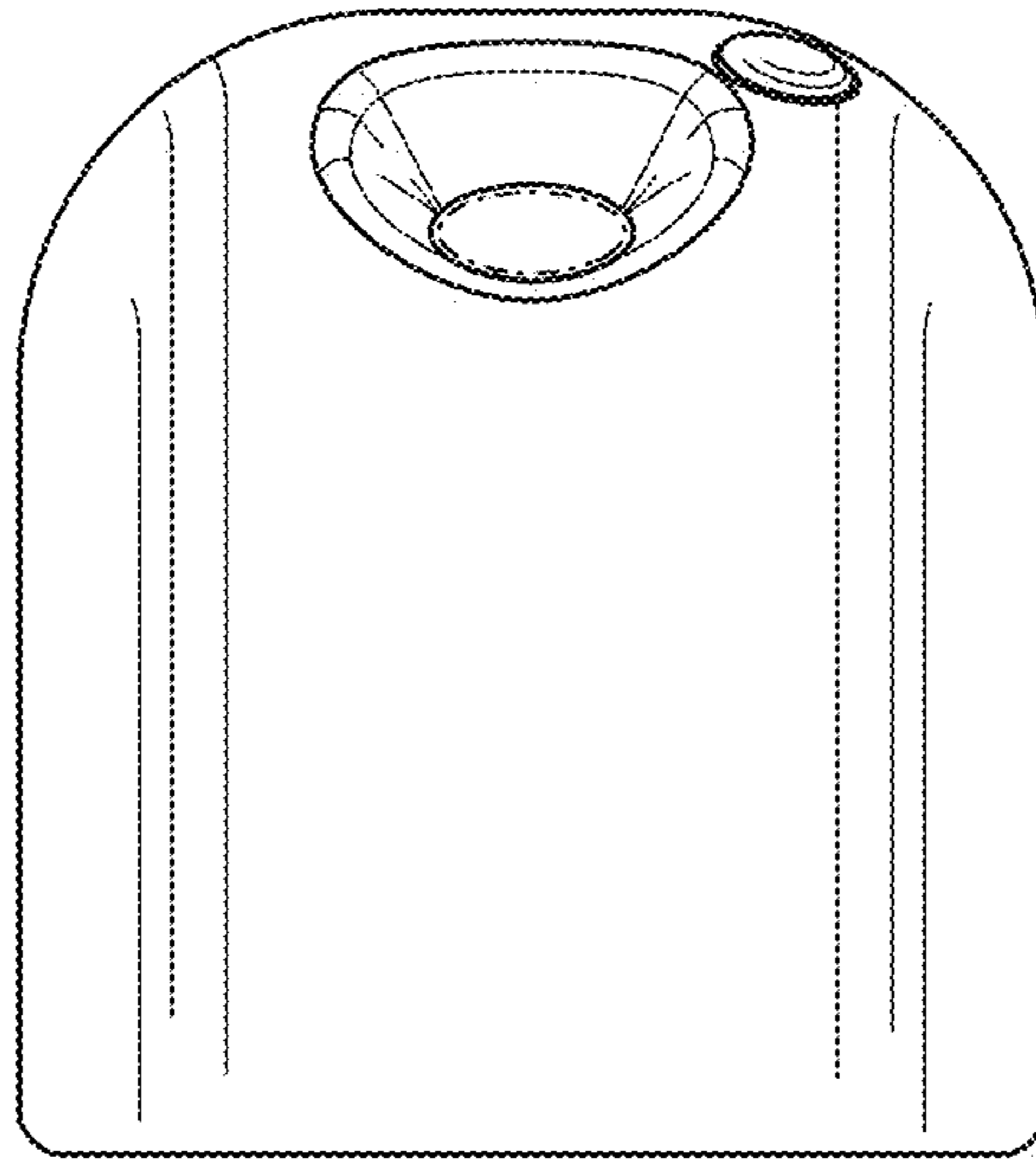


FIG. 4

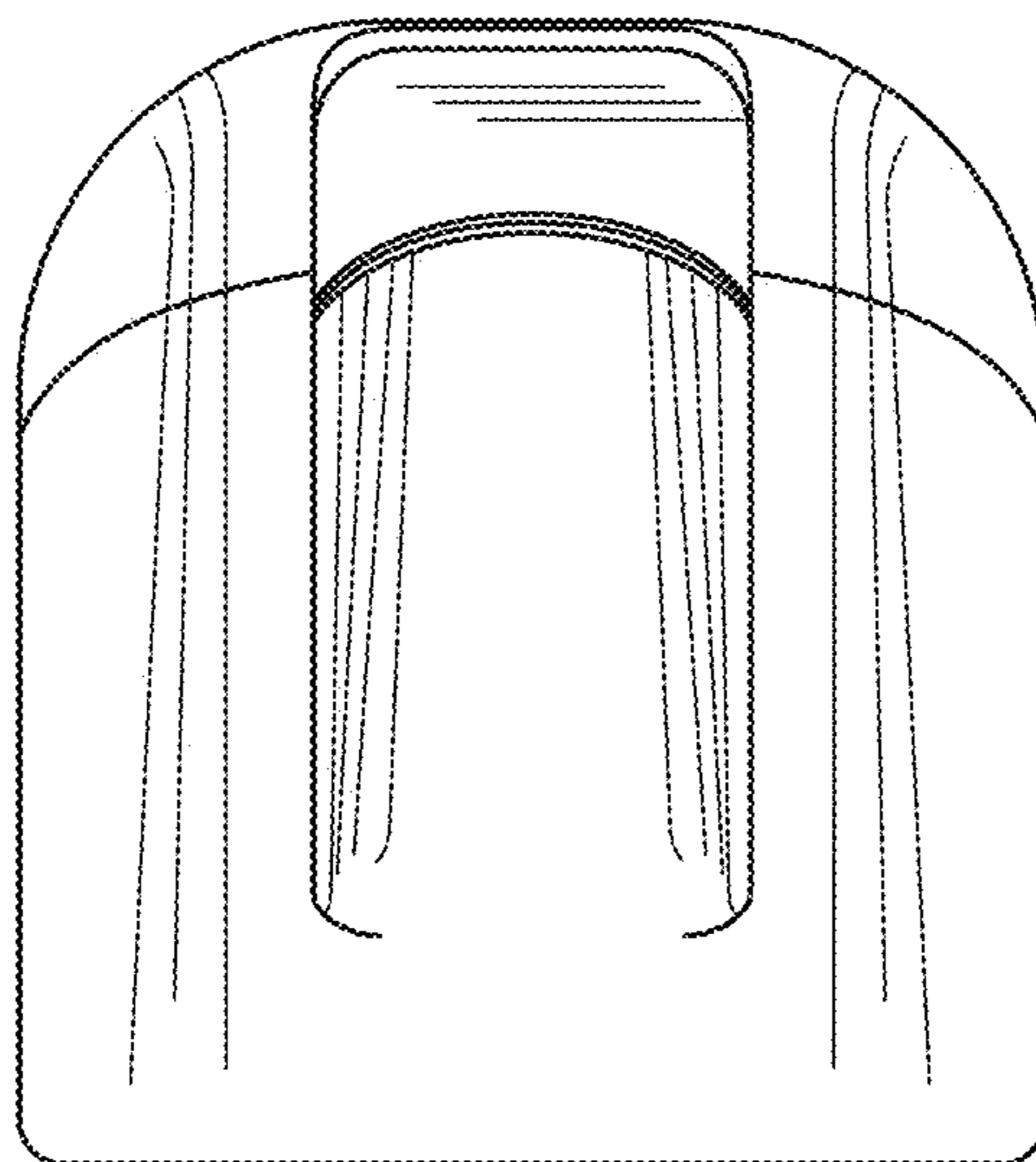


FIG. 5

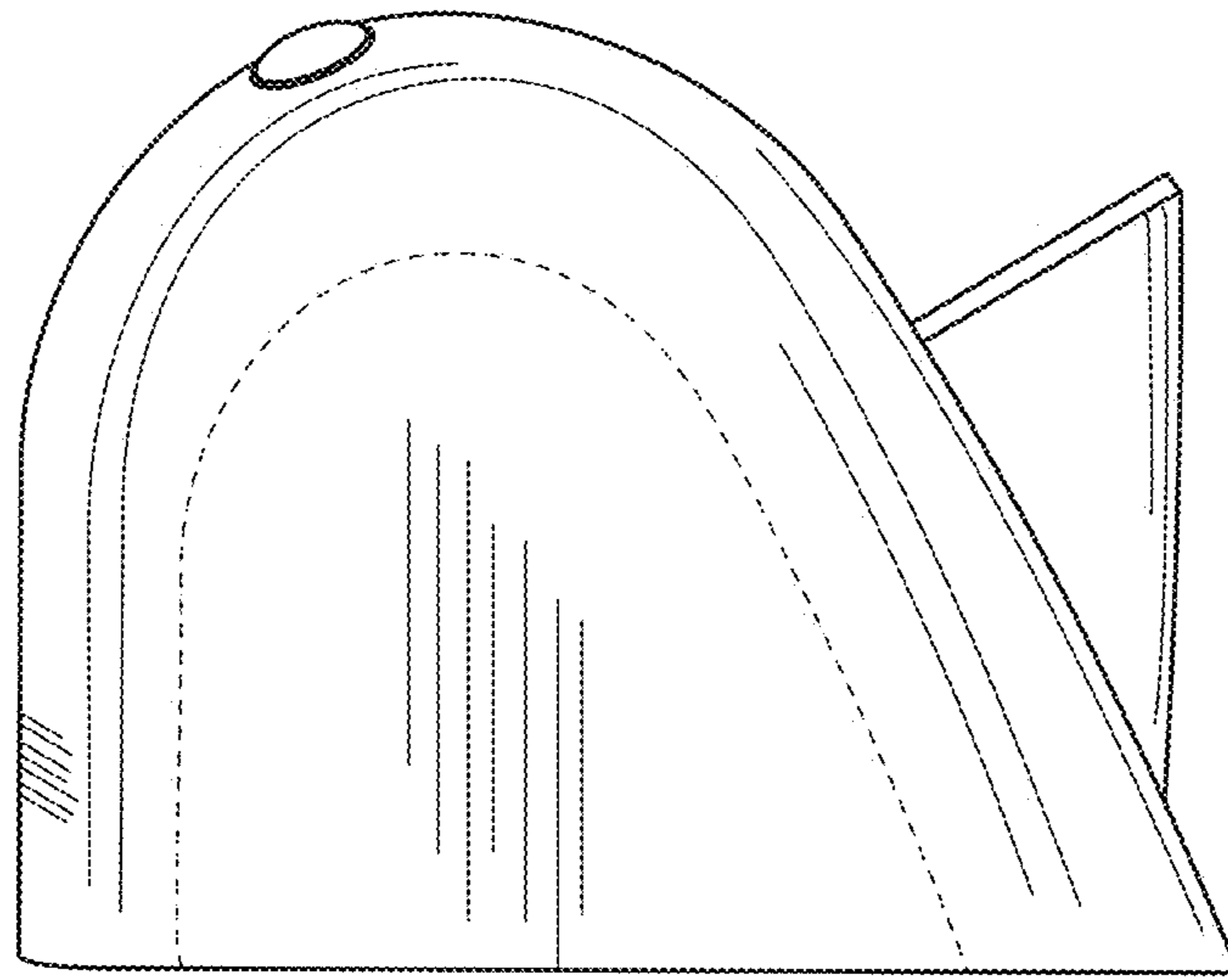


FIG. 6

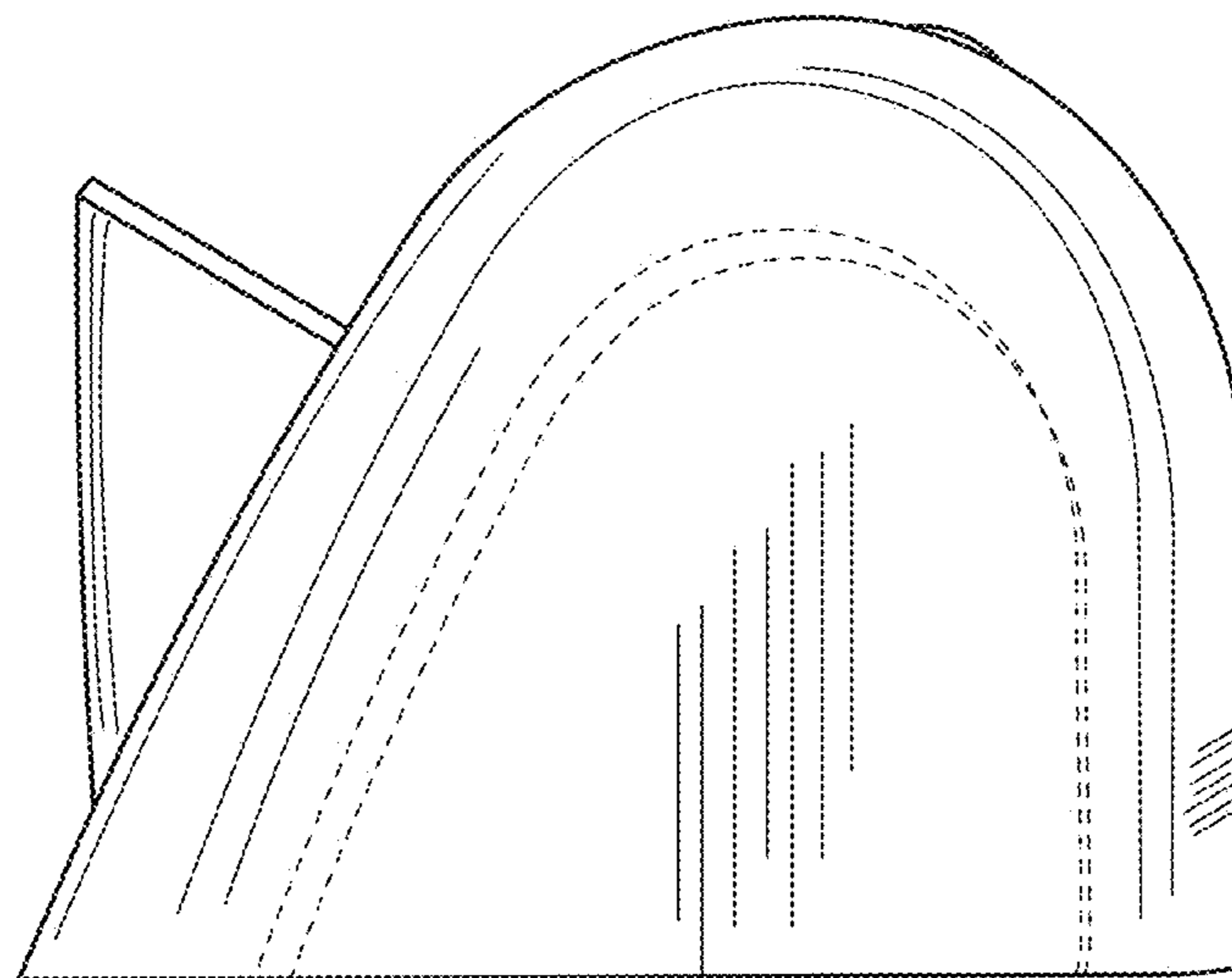


FIG. 7