



US00D767128S

(12) **United States Design Patent** (10) **Patent No.:** **US D767,128 S**
DeBartola et al. (45) **Date of Patent:** **** Sep. 20, 2016**

(54) **SHEATH OVER CATHETER**
(71) Applicant: **JET MEDICAL, INC.**
(72) Inventors: **Frank DeBartola**, Roswell, GA (US);
Chris Linden, El Centro, CA (US);
Daryl Clark, Exton, PA (US)
(73) Assignee: **Jet Medical, Inc.**, Schwenksville, PA
(US)
(**) Term: **14 Years**
(21) Appl. No.: **29/482,478**
(22) Filed: **Feb. 19, 2014**
(51) **LOC (10) Cl.** **24-01**
(52) **U.S. Cl.**
USPC **D24/130**
(58) **Field of Classification Search**
USPC D24/127-131, 112-114, 133, 186;
606/181, 185; 604/264, 272, 115, 232,
604/187, 158, 164.08, 192, 263, 163, 181,
604/184, 198, 227; 600/101, 139, 143;
128/200.24, 207.14, 207.15
CPC A61M 31/00; A61M 25/0102; A61M
25/0041; A61M 2025/0008; A61M
2025/0681; A61B 17/24
See application file for complete search history.

(56) **References Cited**
U.S. PATENT DOCUMENTS
5,125,902 A * 6/1992 Berry et al. 604/170.03
D369,408 S * 4/1996 Laun D24/137
D376,204 S * 12/1996 Huculak et al. D24/146
D393,318 S * 4/1998 Wolter D24/133
D432,230 S * 10/2000 Utas D24/112
D450,382 S * 11/2001 Nestenborg D24/112
D450,838 S * 11/2001 Cise et al. D24/129
6,432,986 B2 8/2002 Levin
6,491,940 B1 12/2002 Levin
D476,731 S * 7/2003 Cise et al. D24/110
D523,149 S * 6/2006 Bjarnason D24/190

D531,308 S * 10/2006 Bendek et al. D24/114
D531,310 S * 10/2006 Wolter et al. D24/133
D553,738 S * 10/2007 Simonson D24/133
D555,241 S * 11/2007 Nakanishi D24/133
D624,653 S * 9/2010 Boillat D24/146
D625,860 S * 10/2010 Bertken D26/37
D626,648 S * 11/2010 Ahlgren D24/130
D626,671 S * 11/2010 Bertken D26/37
D628,288 S * 11/2010 Row et al. D24/129
D668,804 S * 10/2012 Maglica D26/49
8,388,600 B1 3/2013 Eldredge
D709,232 S * 7/2014 Inskeep D26/49
D709,233 S * 7/2014 Inskeep D26/49
D710,495 S * 8/2014 Wu et al. D24/112
D719,694 S * 12/2014 Nawaz D26/38
2012/0116324 A1 * 5/2012 Schlitt 604/272
2015/0119855 A1 * 4/2015 Khalaj 604/513

FOREIGN PATENT DOCUMENTS

WO 2013119258 A1 8/2013
* cited by examiner

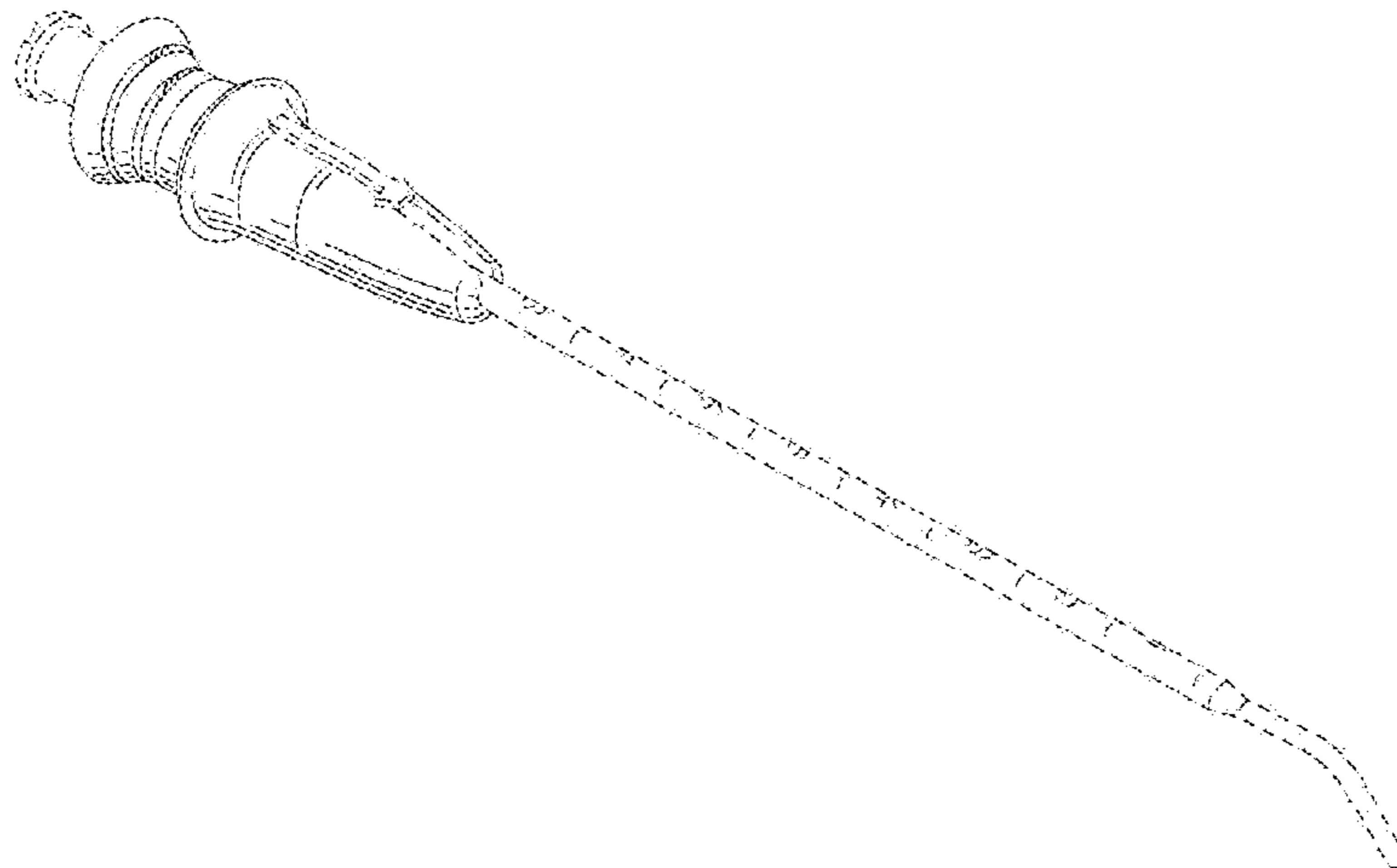
Primary Examiner — David Muller
Assistant Examiner — Nathan Johnston
(74) *Attorney, Agent, or Firm* — Buchanan Ingersoll &
Rooney PC

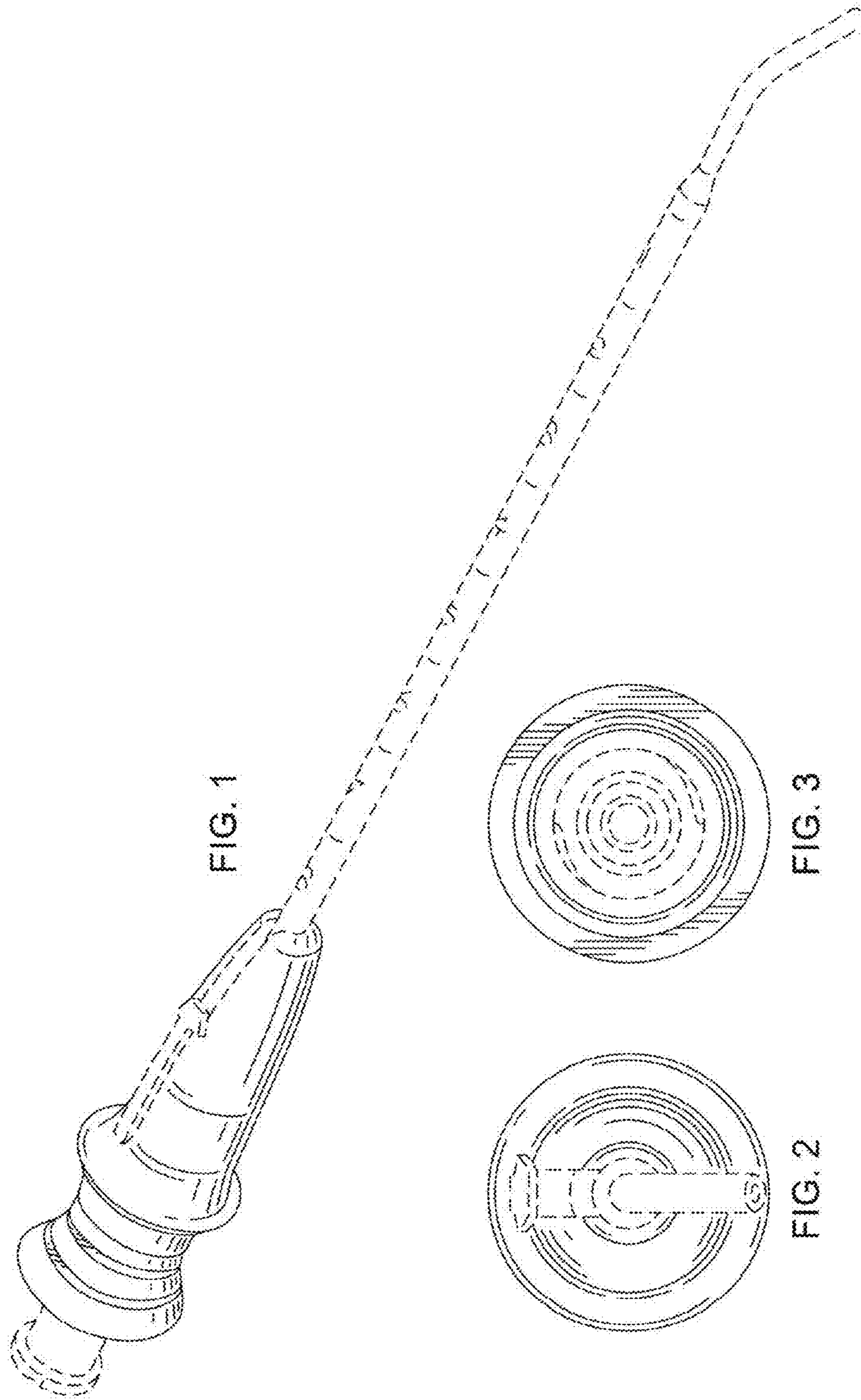
(57) **CLAIM**
We claim an ornamental design for a sheath over catheter, as
shown.

DESCRIPTION

FIG. 1 is a perspective view of a sheath over catheter of the
present design;
FIG. 2 is an enlarged end elevation view thereof;
FIG. 3 is an enlarged opposite end elevation view thereof;
FIG. 4 is a top plan view thereof;
FIG. 5 is a bottom plan view thereof; and,
FIG. 6 is a side elevation view thereof, the opposite side
view being a mirror image thereof.
The features shown in broken lines depict environmental
structure only and form no part of the claimed design.

1 Claim, 2 Drawing Sheets





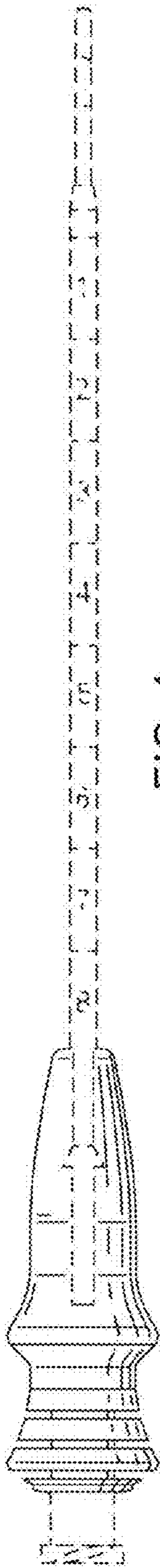


FIG. 4

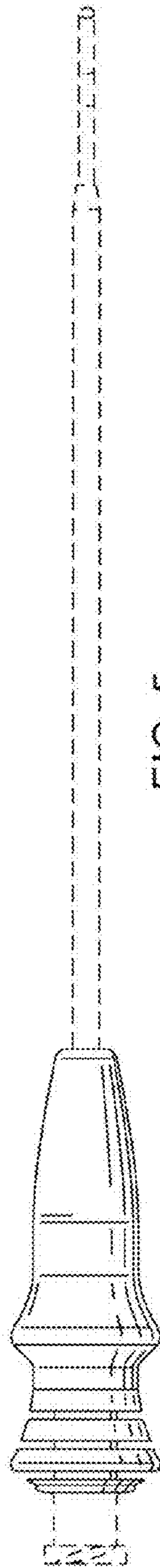


FIG. 5

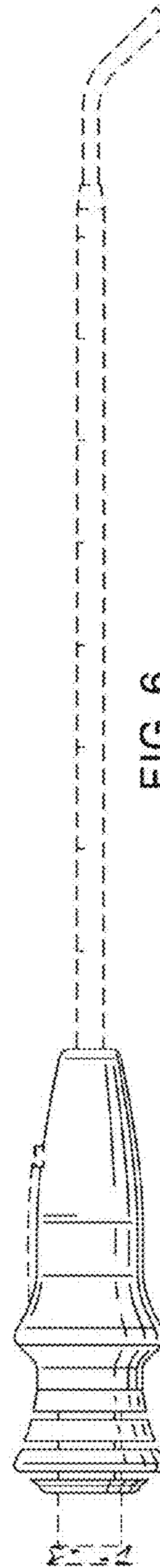


FIG. 6