



US00D767127S

(12) **United States Design Patent** (10) **Patent No.:** **US D767,127 S**
de Beer (45) **Date of Patent:** **** Sep. 20, 2016**

(54) **NEEDLE WITH DOME SHAPED TIP**
(71) Applicant: **TSK Laboratory Europe B.V.**,
Oirschot (NL)
(72) Inventor: **Isodoris de Beer**, Oirschot (NL)
(73) Assignee: **TSK Laboratory Europe B.V.**,
Oirschot (NL)
(**) Term: **14 Years**

(21) Appl. No.: **29/469,756**
(22) Filed: **Oct. 14, 2013**
(51) **LOC (10) Cl.** **24-01**
(52) **U.S. Cl.**
USPC **D24/130**
(58) **Field of Classification Search**
USPC D24/127-131, 112-114, 133, 186;
606/181, 185; 604/264, 272, 115, 232,
604/187, 158, 164.08, 192, 263, 163, 181,
604/184, 198, 227; 600/101, 139, 143;
128/200.24, 207.14, 207.15
CPC .. A61K 2300/00; A61K 45/06; C08L 89/06;
A61B 5/14532
See application file for complete search history.

(56) **References Cited**

U.S. PATENT DOCUMENTS

3,308,822 A * 3/1967 De Luca 604/274
3,612,050 A * 10/1971 Sheridan 604/166.01
D247,975 S * 5/1978 Luther D24/112
D254,444 S * 3/1980 Levine D24/112
D262,577 S * 1/1982 Anderson D24/112
D300,060 S * 2/1989 Molgaard-Nielsen D24/112
D302,589 S * 8/1989 McMenamy et al. D24/112
5,084,013 A * 1/1992 Takase 604/43
D357,733 S * 4/1995 Matkovich D24/112
5,462,533 A * 10/1995 Daugherty 604/164.01
5,569,288 A * 10/1996 Yoon 606/185
5,599,300 A * 2/1997 Weaver et al. 128/898

D408,529 S * 4/1999 Hechel D24/112
5,895,401 A * 4/1999 Daum et al. 606/167
6,500,157 B2 * 12/2002 Luther 604/264
D581,529 S * 11/2008 Moehle et al. D24/130
2005/0251190 A1 * 11/2005 McFarlane 606/185
2007/0060927 A1 * 3/2007 Longson et al. 606/108
2009/0318871 A1 * 12/2009 Zaratany et al. 604/174
2010/0160865 A1 * 6/2010 Zeltzer et al. 604/164.12
2011/0301551 A1 * 12/2011 Koehler et al. 604/263
2012/0095404 A1 * 4/2012 Massengale et al. 604/164.01
2012/0116324 A1 * 5/2012 Schlitt 604/272
2013/0274685 A1 * 10/2013 Jordan et al. 604/264

(Continued)

OTHER PUBLICATIONS

Youtube.com, SteriGlide Aesthetic Cannula by TSK, Nov. 30, 2012,
<https://www.youtube.com/watch?v=1LlatMJWzyk>.*

(Continued)

Primary Examiner — David Muller
Assistant Examiner — Nathan Johnston
(74) *Attorney, Agent, or Firm* — Swanson & Bratschun,
L.L.C.

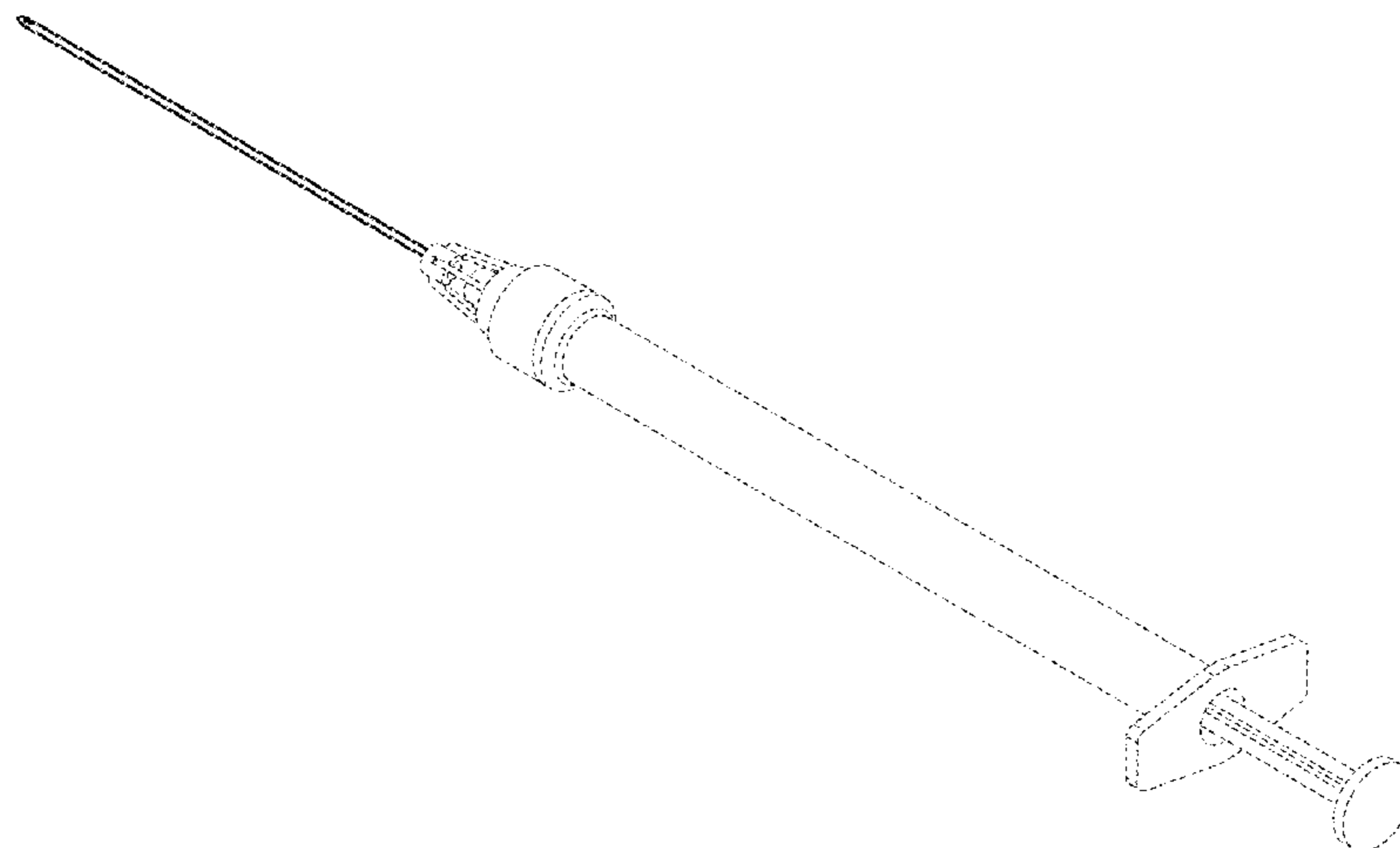
(57) **CLAIM**

The ornamental design for needle with dome shaped tip, as shown and described.

DESCRIPTION

FIG. 1 is a perspective top view of the needle with a dome shaped tip;
FIG. 2 is a perspective view thereof;
FIG. 3 is a top plan view thereof;
FIG. 4 is a bottom plan view thereof;
FIG. 5 is a front elevation view thereof;
FIG. 6 is a side elevation view thereof; and,
FIG. 7 is a perspective view of the needle with a dome shaped tip connected to a syringe.
The broken lines are shown for environmental purposes only and form no part of the claimed design.

1 Claim, 5 Drawing Sheets



(56)

References Cited

OTHER PUBLICATIONS

U.S. PATENT DOCUMENTS

2014/0276472 A1* 9/2014 VanderStek et al. 604/272
2015/0088100 A1* 3/2015 Oborn et al. 604/523

TSK lab, Dermal Filler Cannulas—SteriGlide, Jun. 1, 2014, <http://tsklab.nl/dermal-filler-cannulas/>.*

* cited by examiner

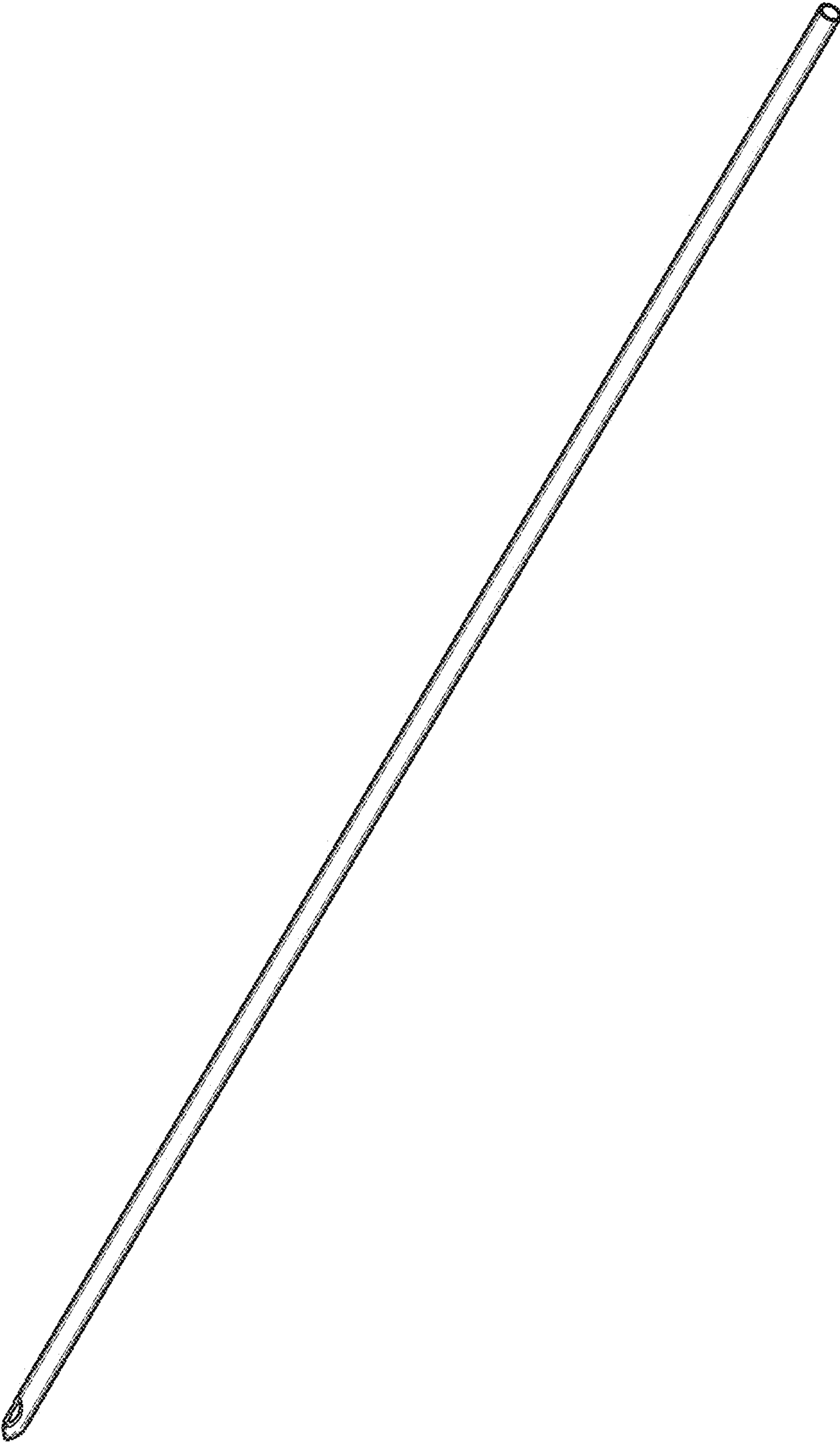


Fig. 1

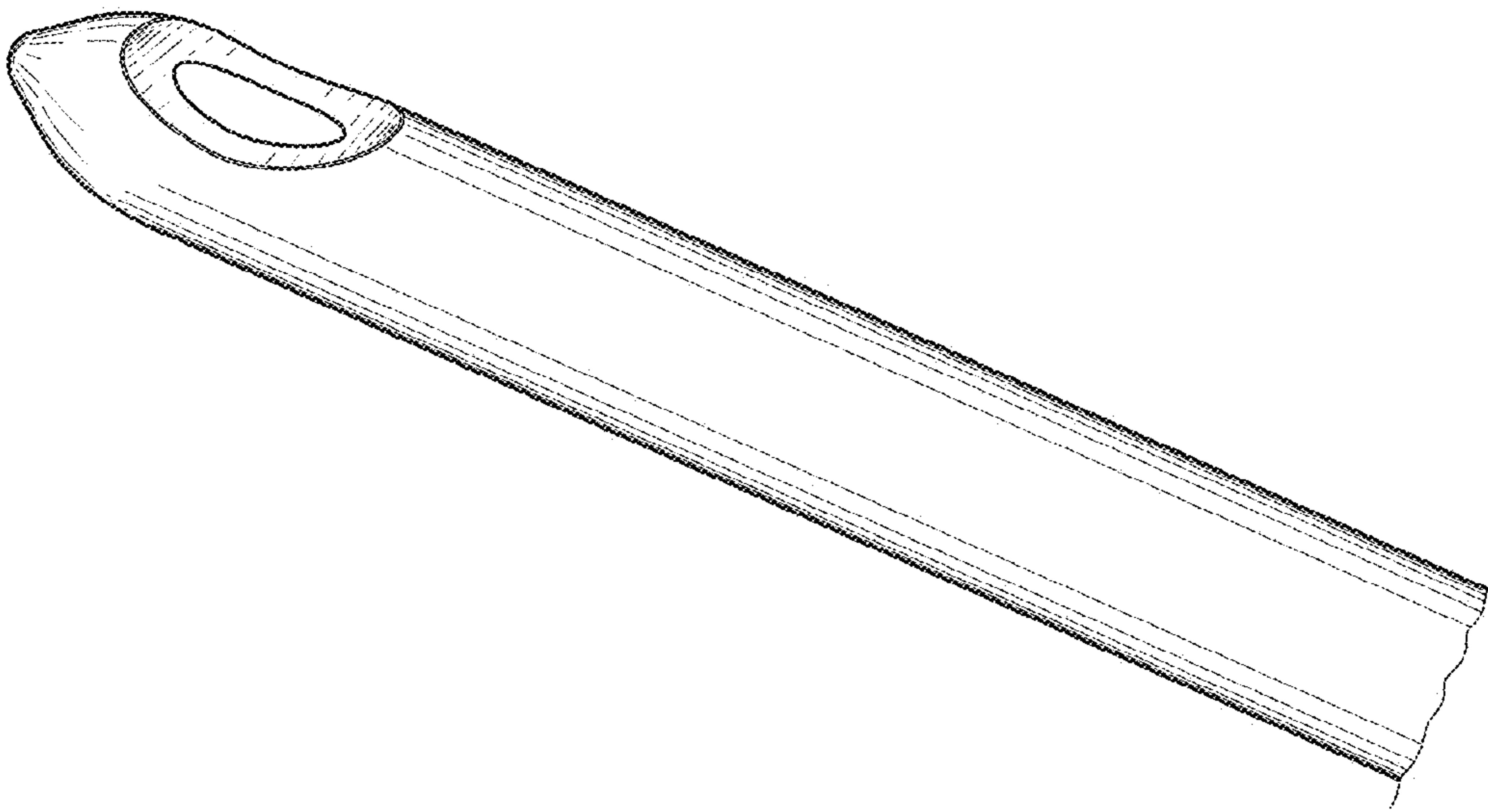


Fig. 2

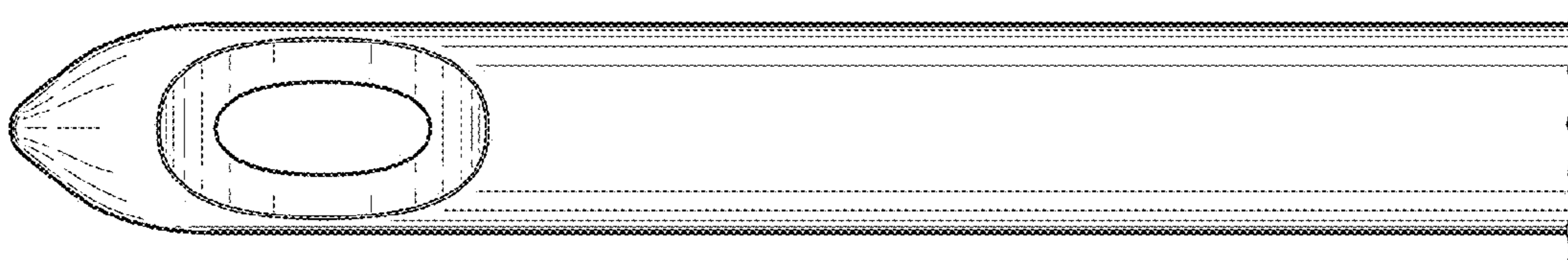


Fig. 3

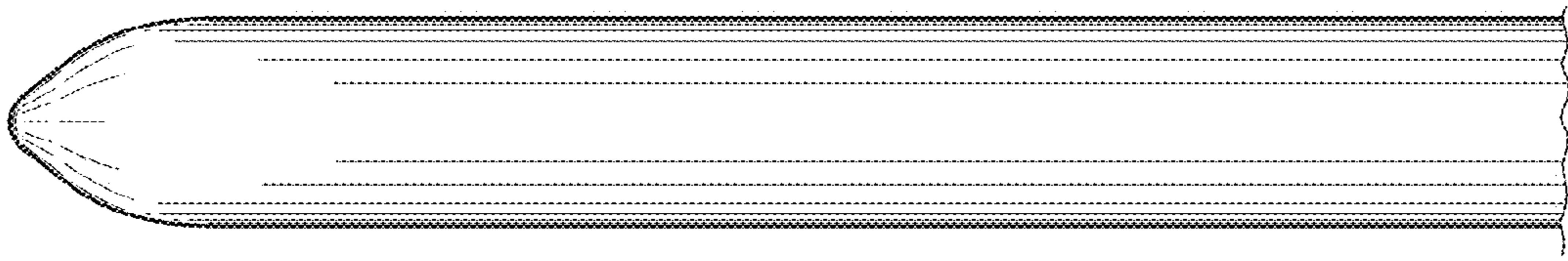


Fig. 4

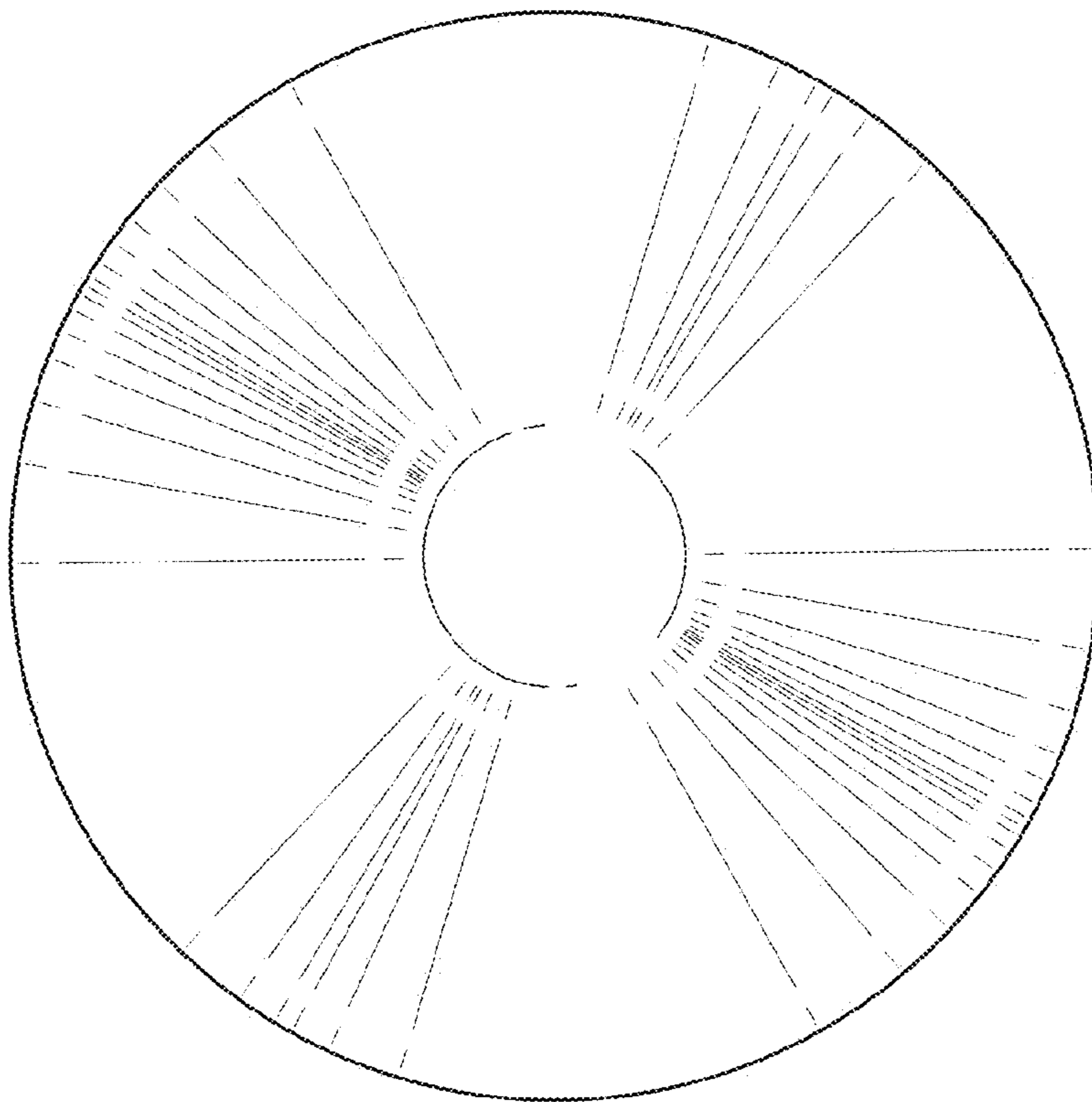


Fig. 5

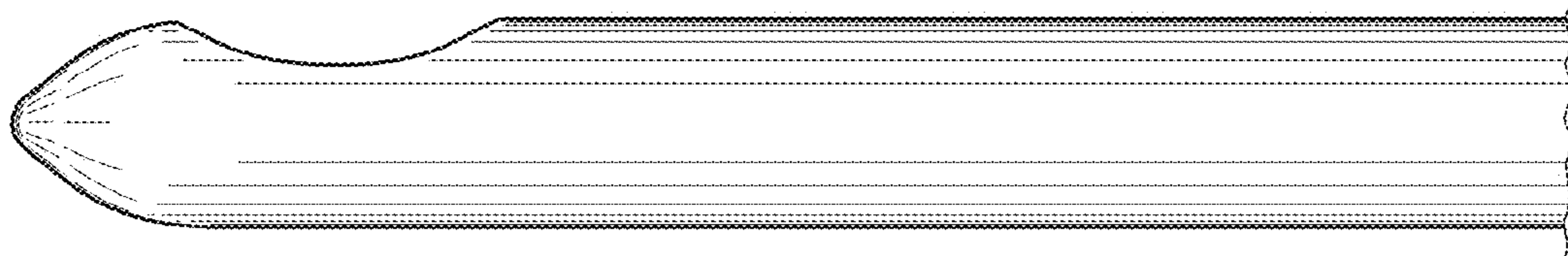


Fig. 6

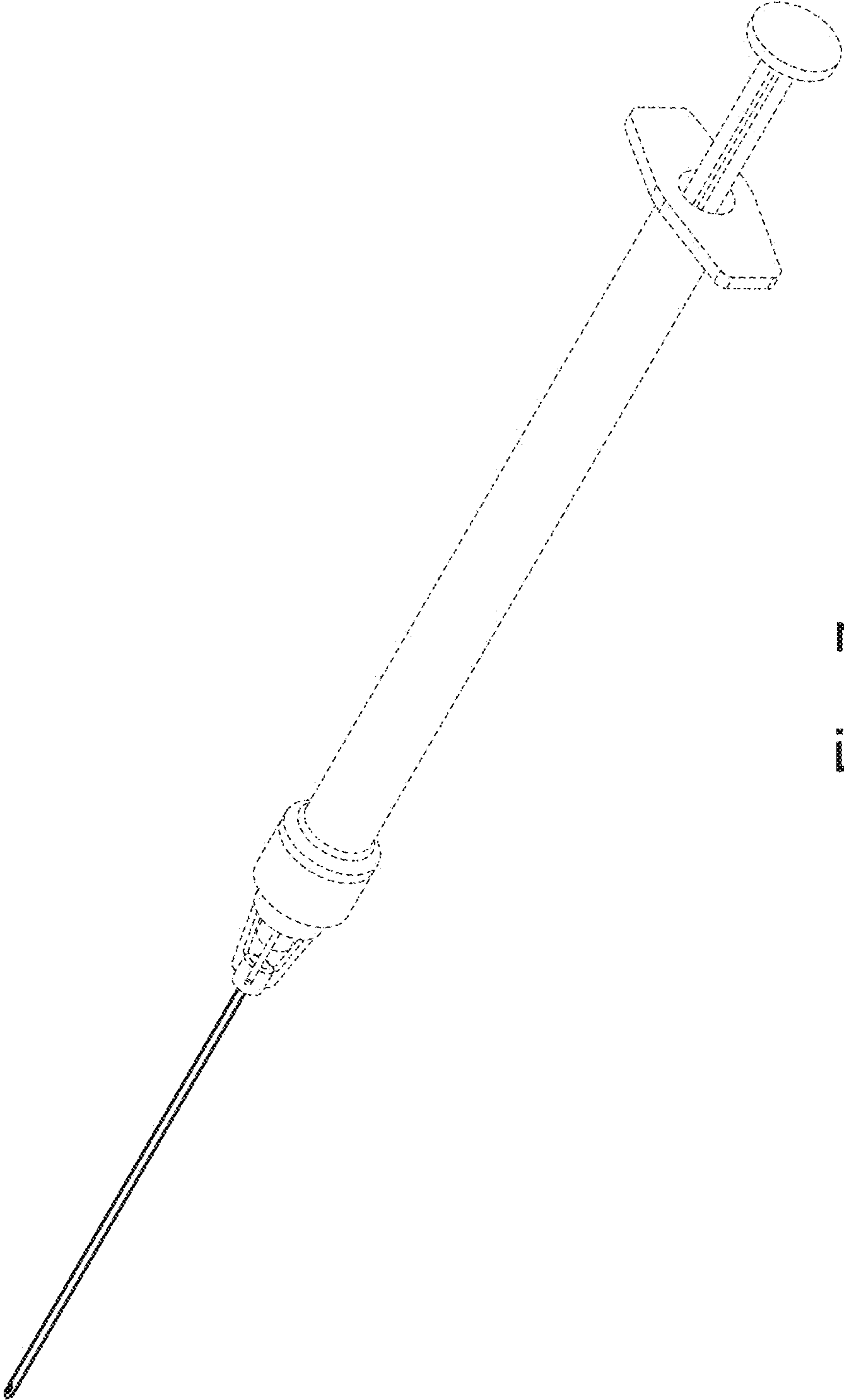


Fig. 7