



US00D767126S

(12) **United States Design Patent**
Weir et al.

(10) **Patent No.:** **US D767,126 S**
(45) **Date of Patent:** **** Sep. 20, 2016**

(54) **INFLATION DEVICE MODULE**

D330,763 S * 11/1992 Penny D24/113
D331,107 S * 11/1992 Kanner D24/113

(71) Applicant: **Merit Medical Systems, Inc.**, South Jordan, UT (US)

(Continued)

(72) Inventors: **Steven Weir**, Sandy, UT (US); **F. Mark Ferguson**, Salt Lake City, UT (US); **Chris Hile**, Alexandria, VA (US); **Jamie Ingram**, Alexandria, VA (US); **Robert Andrew Carlton**, Alexandria, VA (US); **Zachary Glickstein**, Alexandria, VA (US); **Leon Marucchi**, Annandale, VA (US); **Craig A. Mauch**, Hollis, NH (US); **Cameron Loper**, Alexandria, VA (US)

FOREIGN PATENT DOCUMENTS

WO 2015020895 A1 2/2015

OTHER PUBLICATIONS

U.S. Appl. No. 29/504,954, filed Oct. 10, 2014, Carlton et al.

(Continued)

Primary Examiner — David Muller

(74) *Attorney, Agent, or Firm* — Stoel Rives LLP

(73) Assignee: **Merit Medical Systems, Inc.**, South Jordan, UT (US)

(57) **CLAIM**

The ornamental design for an inflation device module, as shown and described.

(**) Term: **14 Years**

DESCRIPTION

(21) Appl. No.: **29/504,937**

(22) Filed: **Oct. 10, 2014**

(51) **LOC (10) Cl.** **24-02**

(52) **U.S. Cl.**
USPC **D24/129**

(58) **Field of Classification Search**
USPC D24/127–131, 112–114, 133, 186;
606/181, 185; 604/97.03, 98.01, 99.01,
604/264, 272, 115, 232, 187, 158, 164.08,
604/192, 263, 163, 181, 184, 198, 227;
600/101, 139, 143; 128/200.24,
128/207.14, 207.15
CPC A61M 25/10182; A61M 2025/0002;
H01R 13/44

See application file for complete search history.

FIG. 1 is a perspective view of an inflation device module coupled to a barrel of an inflation device;
FIG. 2 is an exploded perspective view of the inflation device module of FIG. 1 as it is coupled to an inflation device;
FIG. 3 is a perspective view of the inflation device module of FIG. 1 coupled to an inflation device adjacent a wireless display;
FIG. 4 is a top perspective view of the inflation device module of FIG. 1;
FIG. 5 is a bottom perspective view thereof;
FIG. 6 is a top plan view thereof;
FIG. 7 is a bottom plan view thereof;
FIG. 8 is a left side elevation view thereof;
FIG. 9 is a right side elevation view thereof;
FIG. 10 is a front elevation view thereof; and,
FIG. 11 is a rear elevation view thereof.

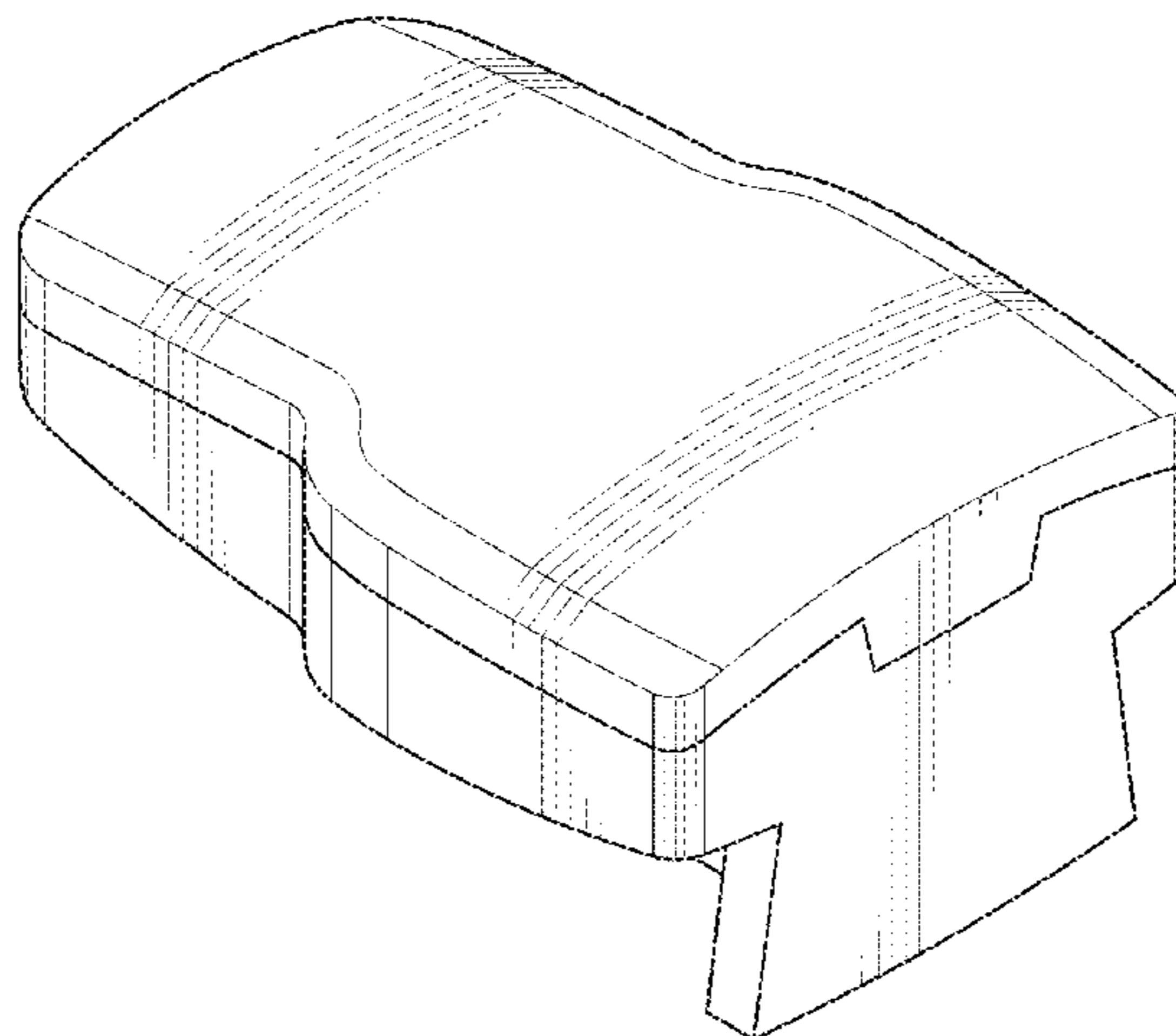
The broken lines in the drawings illustrate portions of an inflation device coupled to the inflation device module which form no part of the claimed design.

(56) **References Cited**

U.S. PATENT DOCUMENTS

D309,663 S * 7/1990 Robinson D24/111
D330,078 S * 10/1992 Porter D23/231

1 Claim, 8 Drawing Sheets



(56)

References Cited

U.S. PATENT DOCUMENTS

5,215,523 A 6/1993 Williams et al.
 5,259,838 A 11/1993 Taylor et al.
 5,318,533 A 6/1994 Adams et al.
 5,383,855 A 1/1995 Nicholson et al.
 5,647,847 A 7/1997 Lafontaine et al.
 6,139,523 A 10/2000 Taylor et al.
 7,351,223 B2 4/2008 Call
 7,892,202 B2 2/2011 Lampropoulos et al.
 D693,463 S * 11/2013 Burger D24/111
 D697,204 S * 1/2014 Maier D24/111
 D714,931 S * 10/2014 Sealfon D24/112
 D720,449 S * 12/2014 Galbraith D24/111
 8,915,891 B2 * 12/2014 Bornhoft A61M 39/10
 604/181
 D727,495 S * 4/2015 Bown D24/130
 D745,661 S * 12/2015 Collins D24/108

D749,206 S * 2/2016 Johnson D24/111
 2004/0260238 A1 12/2004 Call
 2007/0112299 A1 5/2007 Smit et al.
 2010/0217188 A1 8/2010 Lampropoulos et al.
 2010/0274180 A1 10/2010 Donovan et al.
 2011/0238082 A1 9/2011 Wenderow et al.
 2013/0324989 A1 * 12/2013 Leung A61B 18/02
 606/24
 2015/0038901 A1 2/2015 Lampropoulos et al.

OTHER PUBLICATIONS

U.S. Appl. No. 29/504,961, filed Oct. 10, 2014, Carlton et al.
 U.S. Appl. No. 14/608,904, filed Jan. 29, 2015, Lampropoulos et al.
 International Search Report and Written Opinion dated Nov. 11, 2014 for PCT/US2014/049364.
 International Search Report and Written Opinion dated May 12, 2016 for PCT/US2016014822.

* cited by examiner

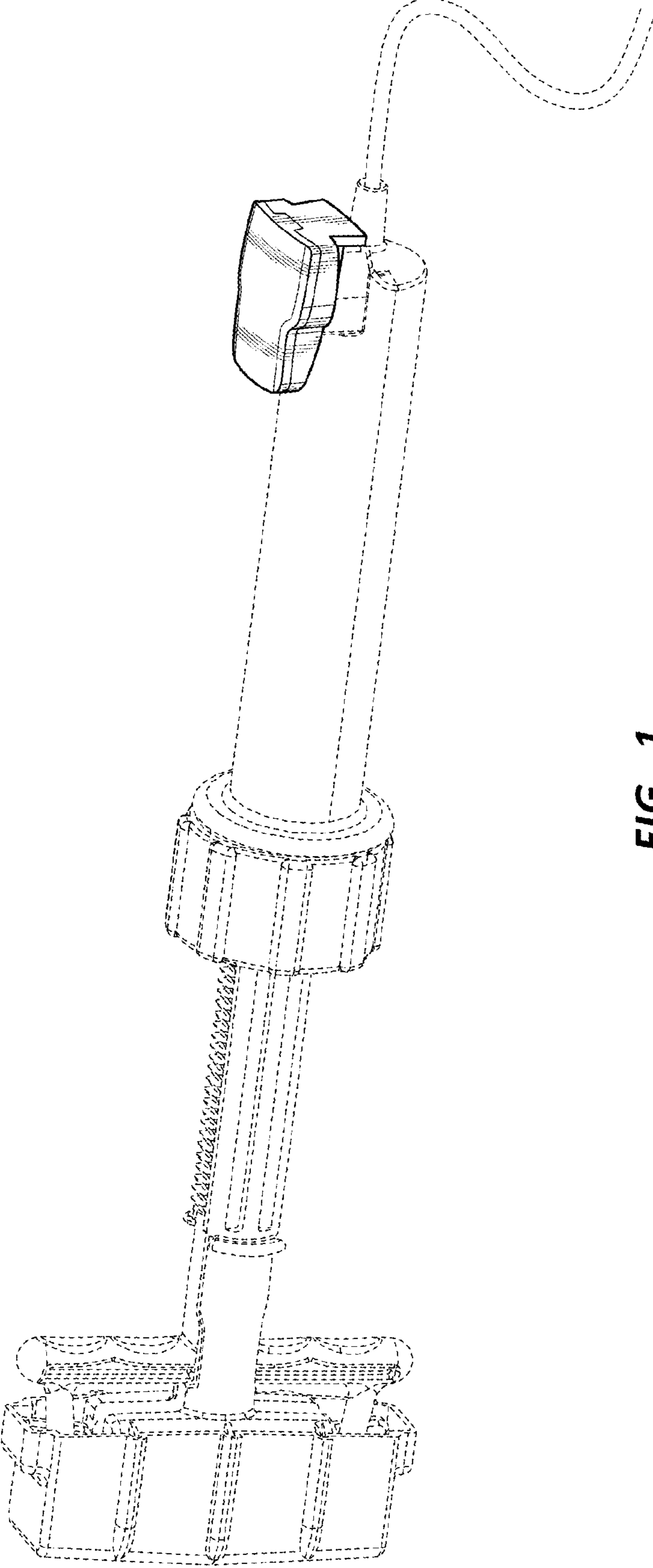


FIG. 1

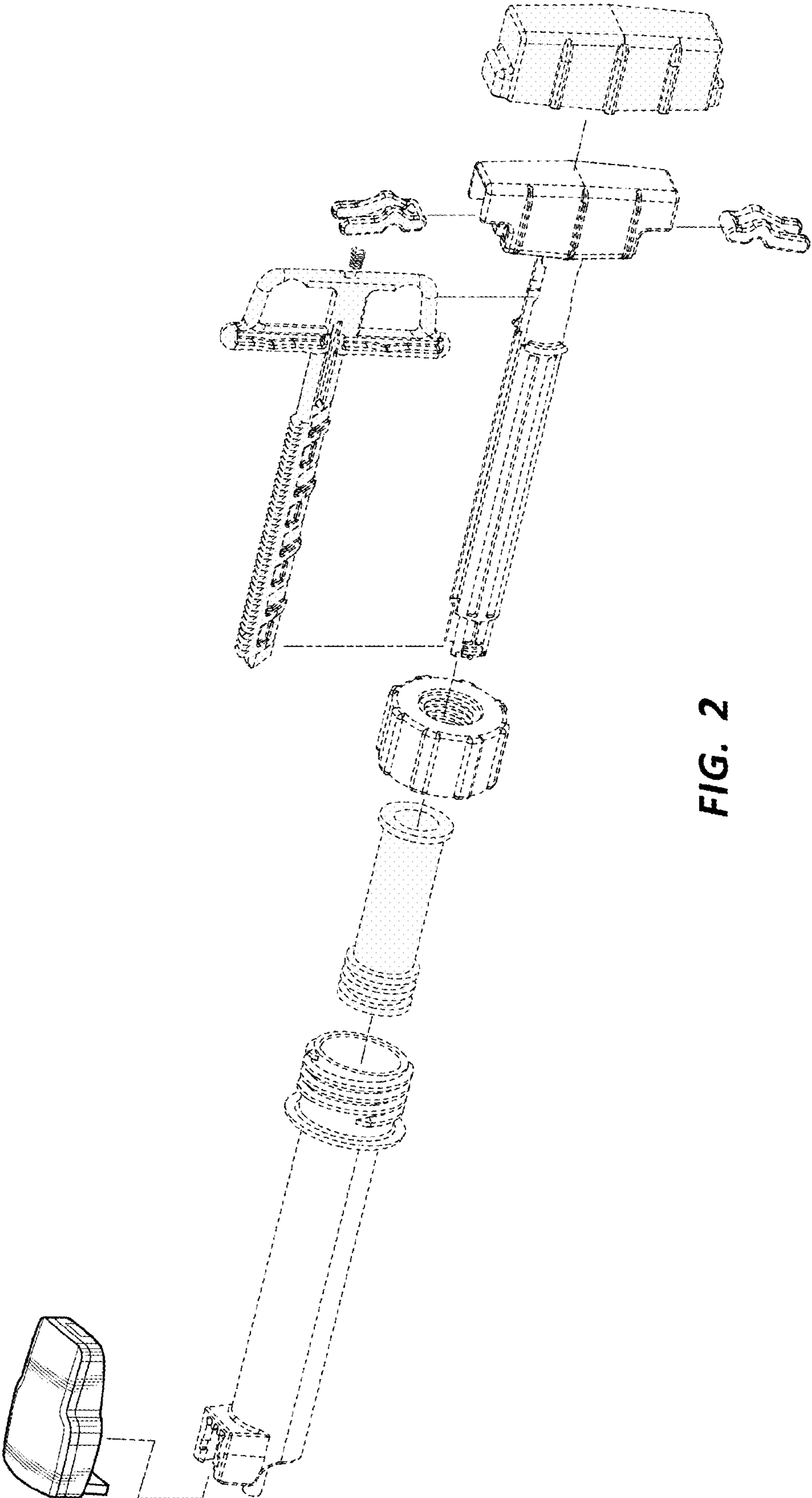


FIG. 2

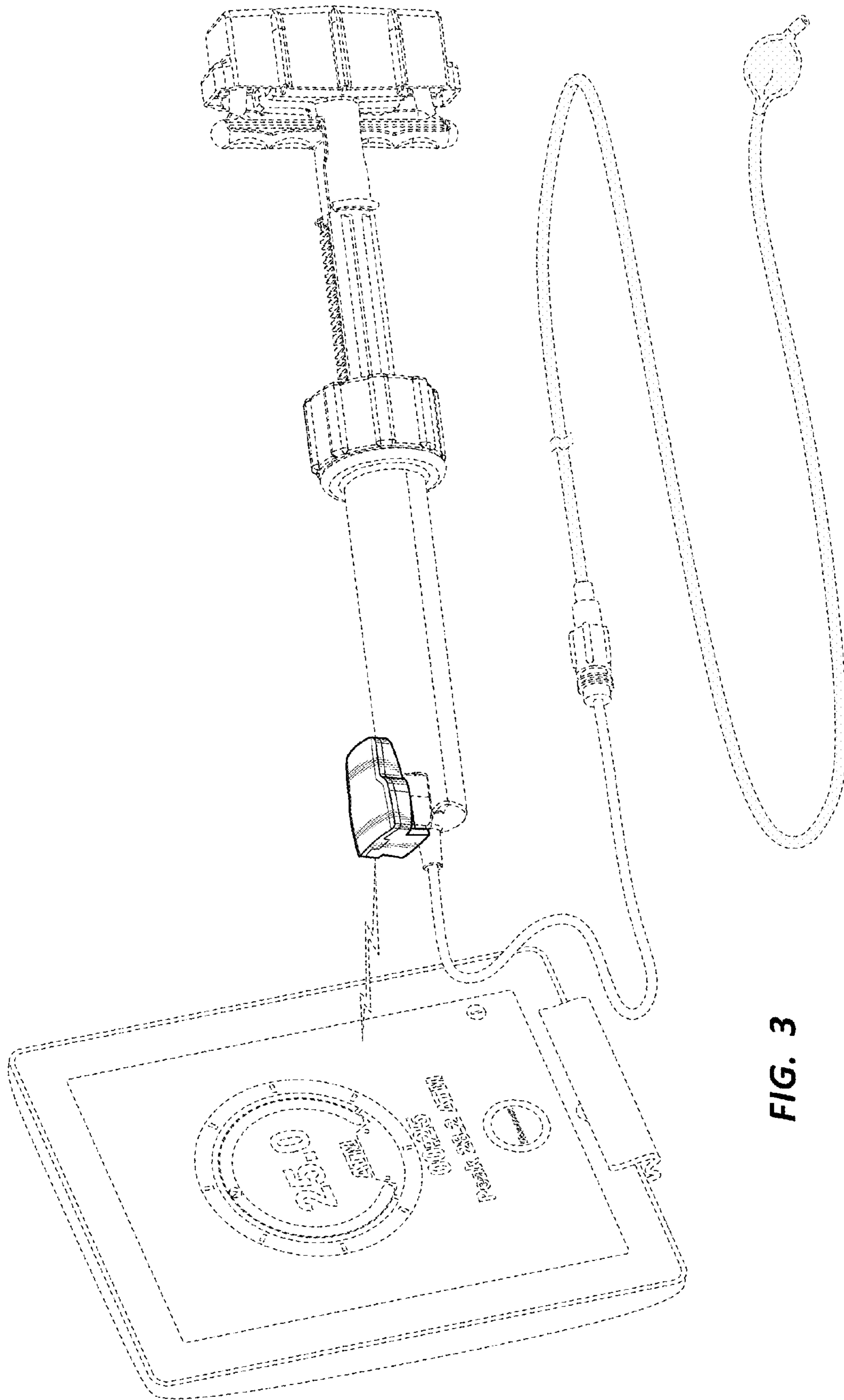


FIG. 3

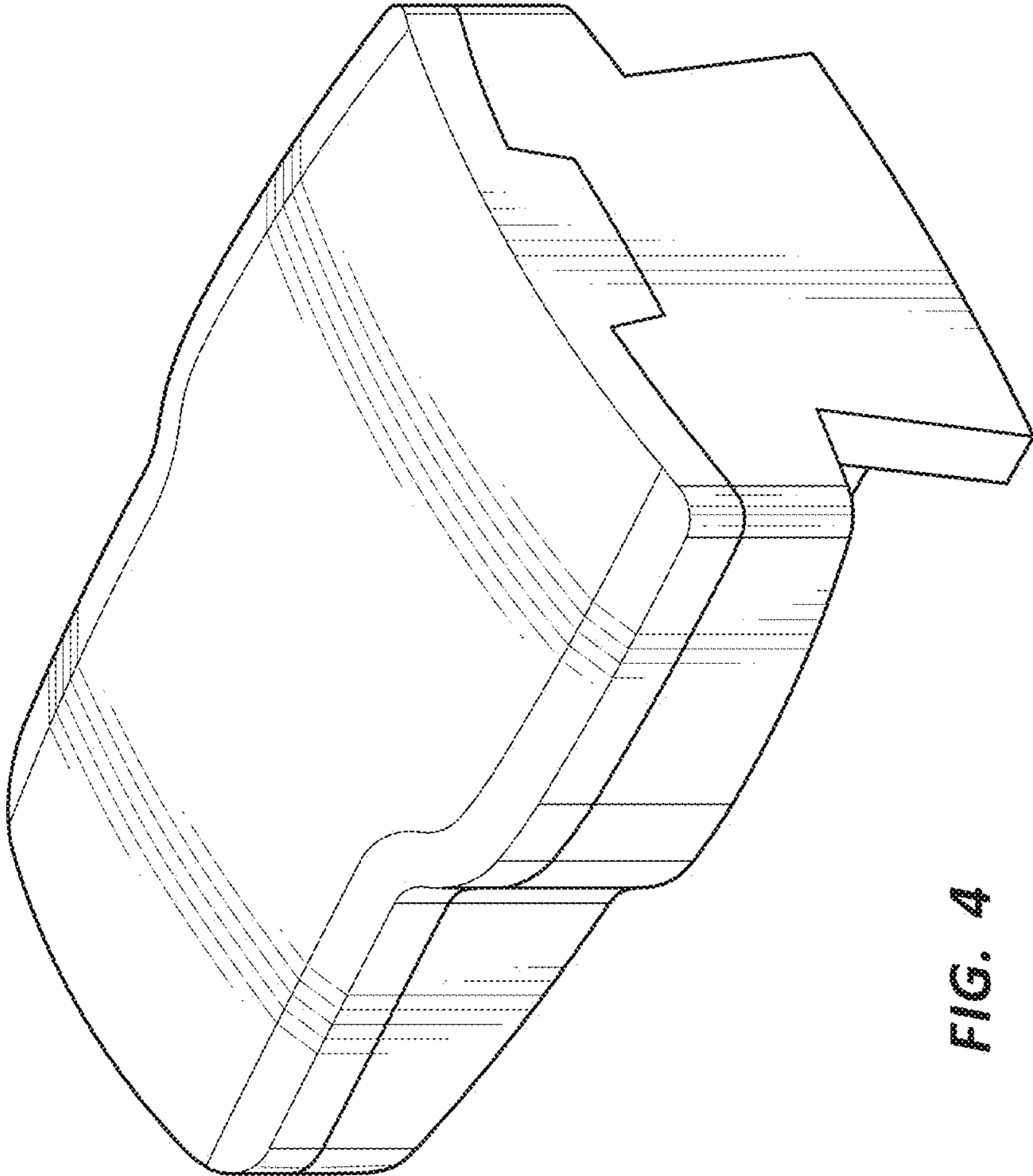


FIG. 4

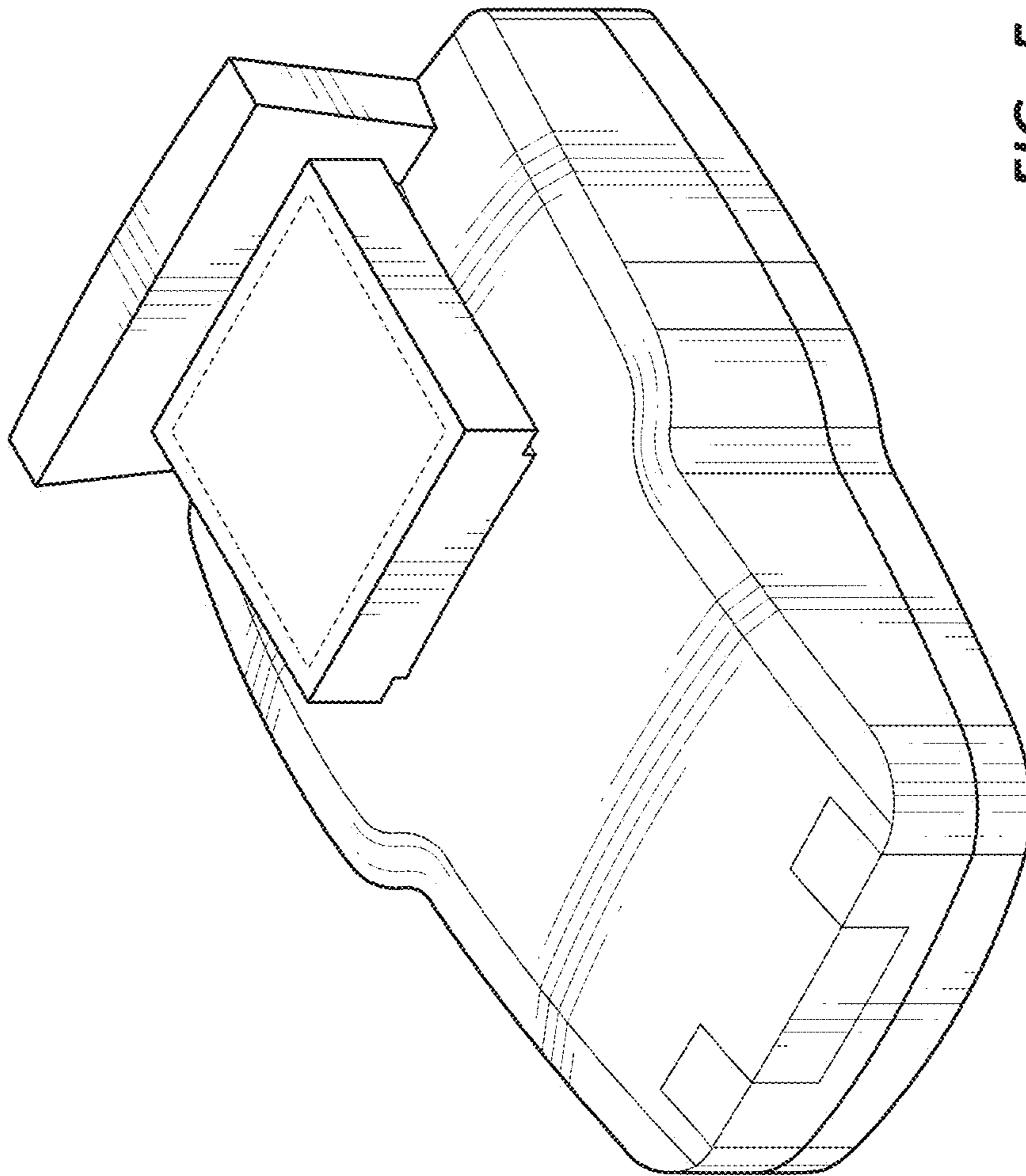


FIG. 5

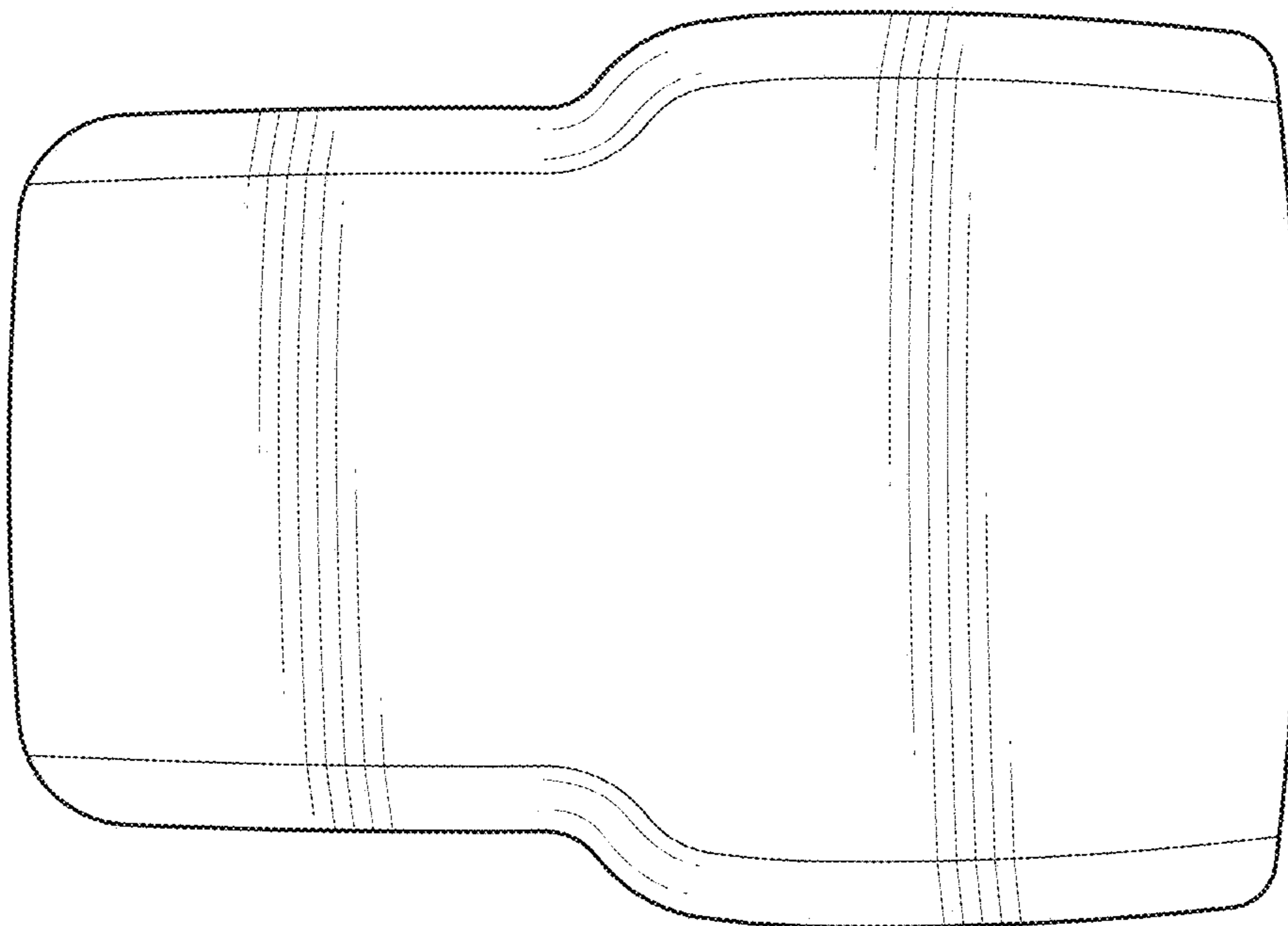


FIG. 6

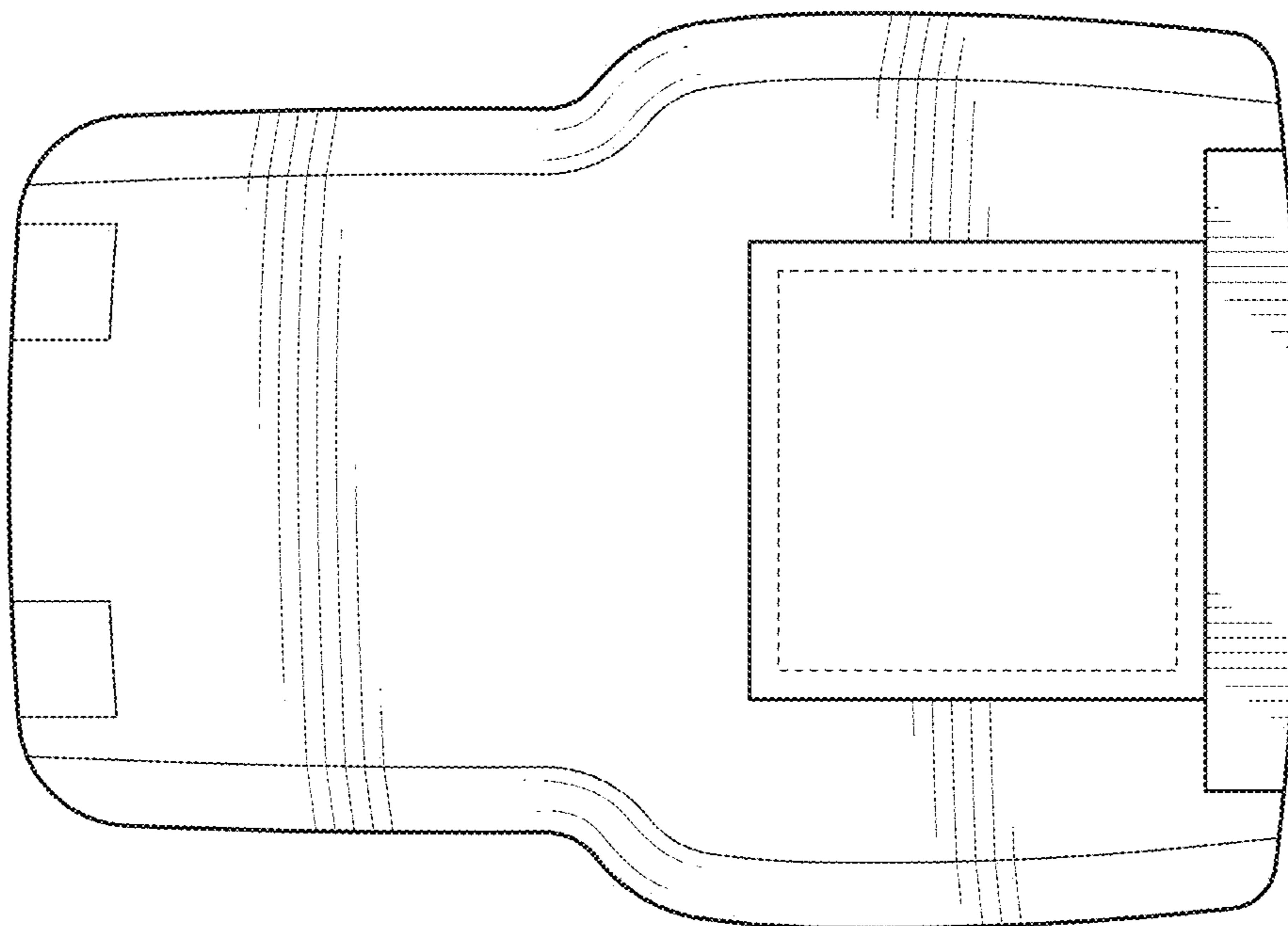


FIG. 7

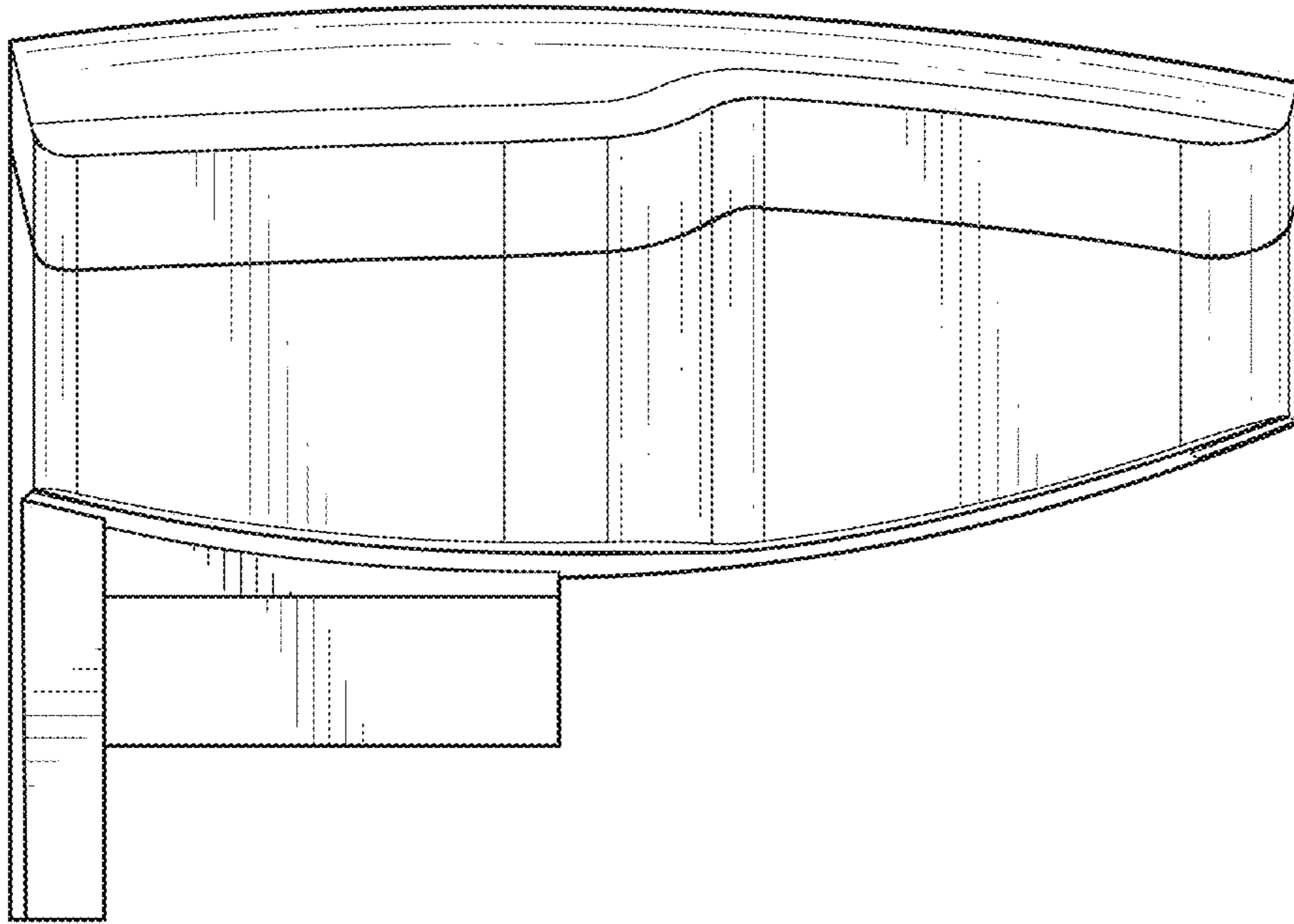


FIG. 8

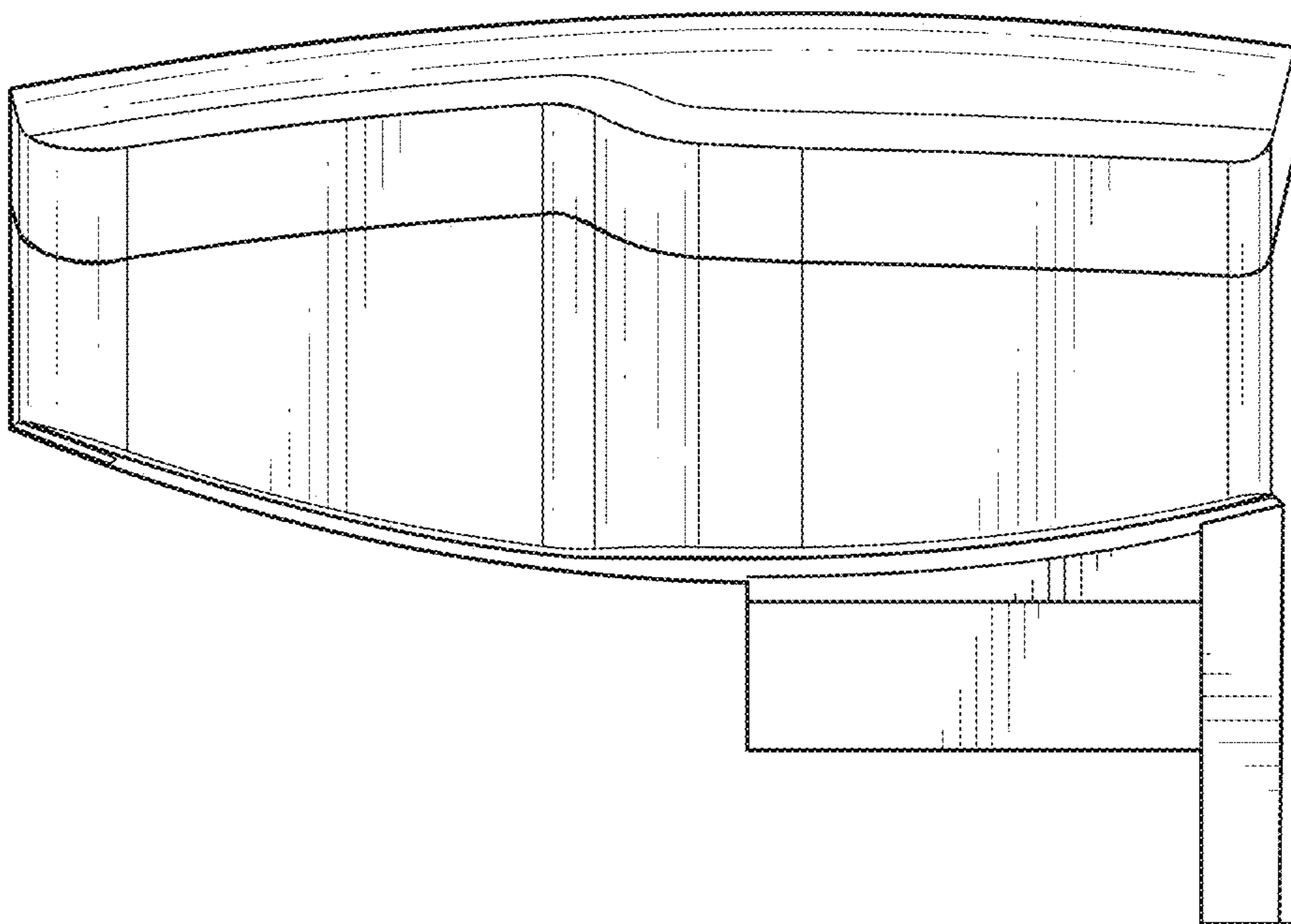


FIG. 9

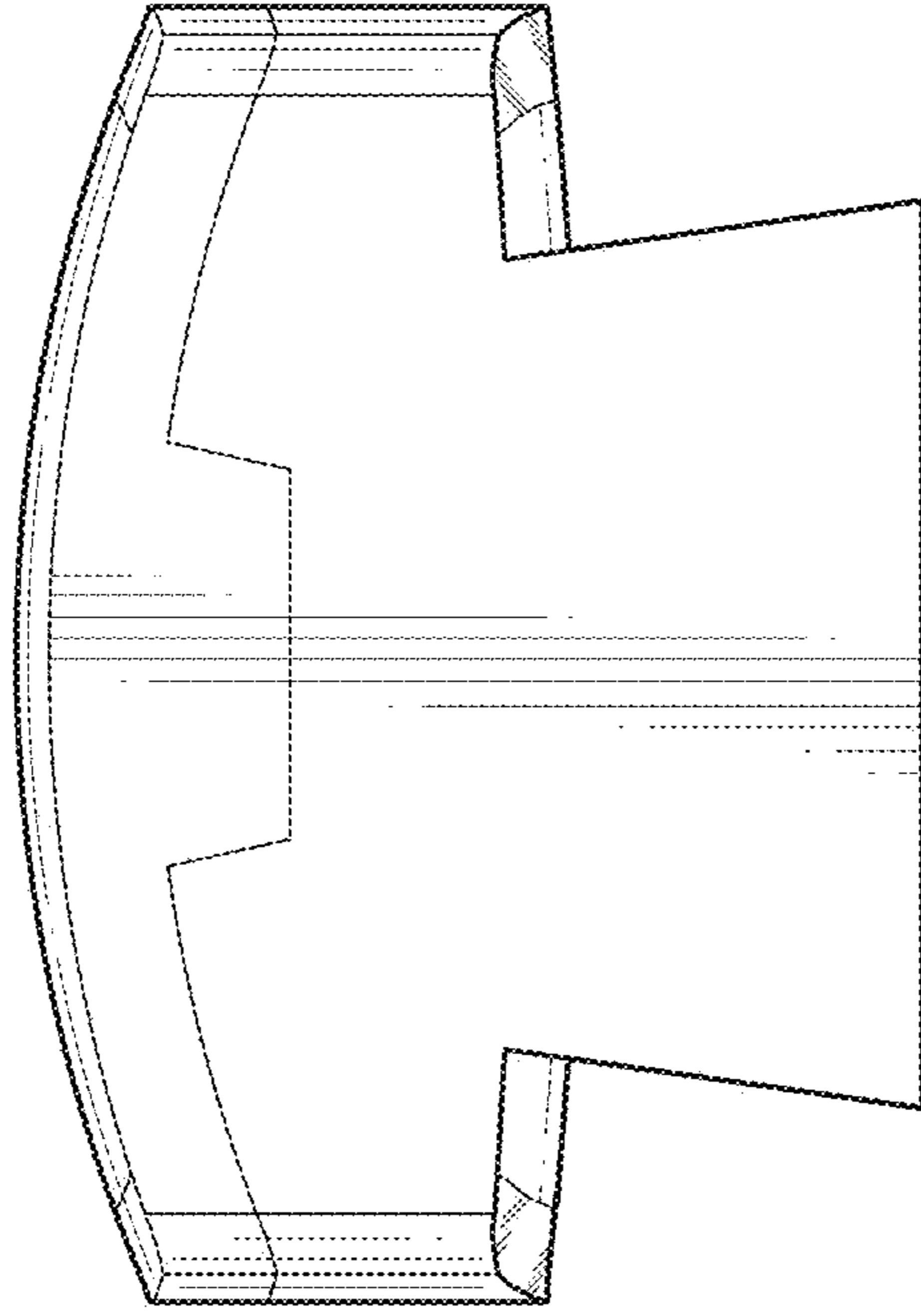


FIG. 10

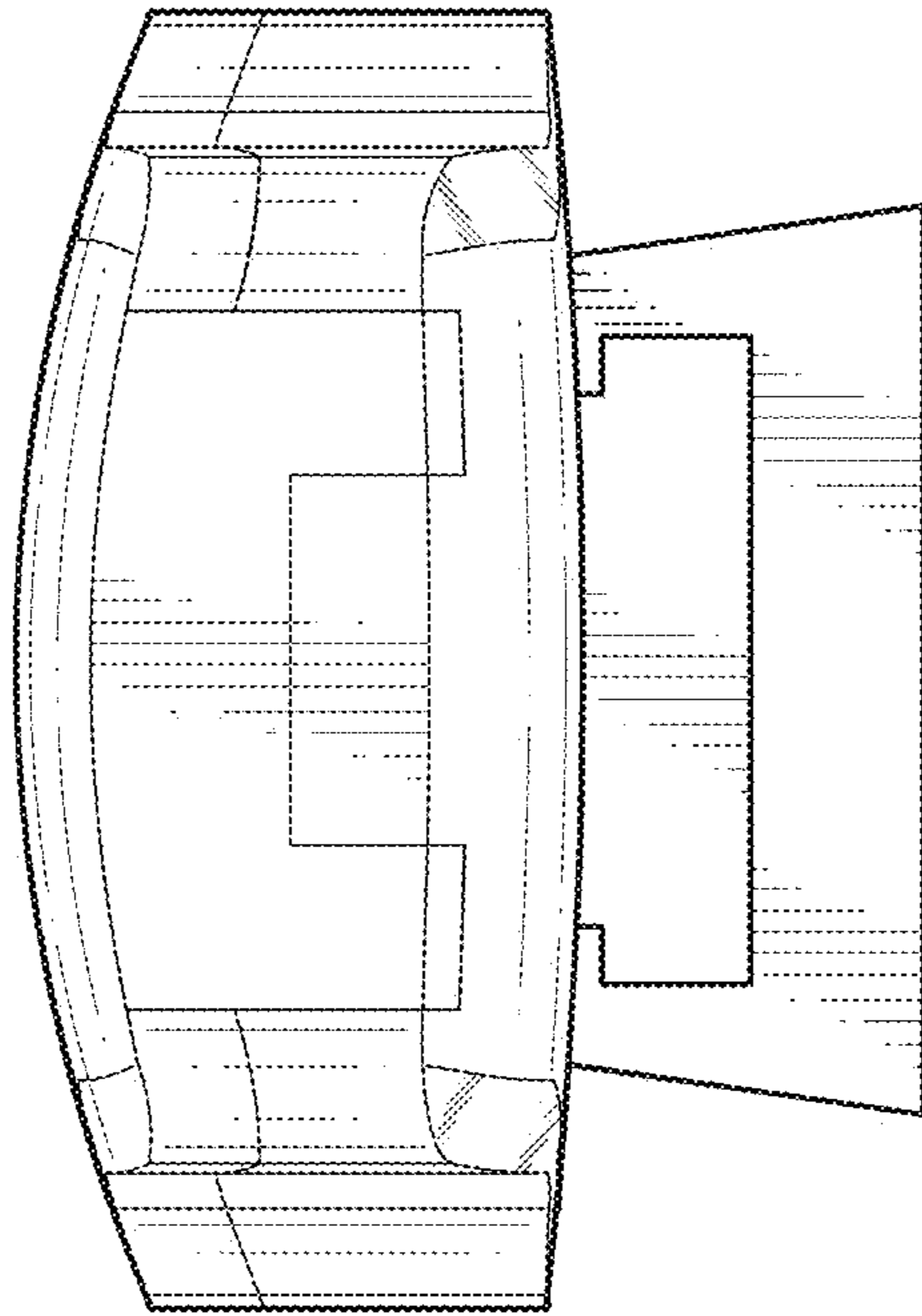


FIG. 11