



US00D767124S

(12) **United States Design Patent** (10) **Patent No.:** **US D767,124 S**
Lev et al. (45) **Date of Patent:** **** Sep. 20, 2016**

(54) **LIQUID TRANSFER DEVICE WITH INTEGRAL VIAL ADAPTER**

2,326,490 A 8/1943 Perelson
2,931,668 A 4/1960 Baley
2,968,497 A 1/1961 Treleman
3,059,643 A 10/1962 Barton

(71) Applicant: **MEDIMOP Medical Projects Ltd.,**
Ra'anana (IL)

(Continued)

(72) Inventors: **Nimrod Lev, Savion (IL); Niv Ben Shalom, Netanya (IL)**

FOREIGN PATENT DOCUMENTS

CN 1950049 A 4/2007
DE 1913926 A1 9/1970

(73) Assignee: **Medimop Medical Projects Ltd.,**
Ra'anana (IL)

(Continued)

(**) Term: **14 Years**

OTHER PUBLICATIONS

(21) Appl. No.: **29/478,723**

West, Vial2Bag DC system, Oct. 2, 2014, <https://web.archive.org/web/20141002065133/http://www.westpharma.com/en/products/Pages/ReconstitutionSystems.aspx>.*

(22) Filed: **Jan. 8, 2014**

(Continued)

(30) **Foreign Application Priority Data**

Aug. 7, 2013 (IL) 54442

(51) **LOC (10) Cl.** **24-01**

(52) **U.S. Cl.**
USPC **D24/129**

(58) **Field of Classification Search**
USPC D24/127-131, 112-114, 133, 186;
606/181, 185; 604/264, 272, 115, 232,
604/187, 158, 164.08, 192, 263, 163, 181,
604/184, 198, 227; 600/101, 139, 143;
128/200.24, 207.14, 207.15
CPC A61J 1/2089; A61J 1/2096; A61J 1/10;
A61J 2001/201; A61J 2001/2062; A61J
2001/2082; A61J 2001/2037; A61M 39/223;
A61M 5/162; A61M 5/3297

See application file for complete search history.

(56) **References Cited**

U.S. PATENT DOCUMENTS

62,333 A 2/1867 Holl
1,021,681 A 3/1912 Jennings
1,704,817 A 3/1929 Ayers
1,930,944 A 10/1933 Schmitz, Jr.

Primary Examiner — David Muller

Assistant Examiner — Nathan Johnston

(74) *Attorney, Agent, or Firm* — Panitch Schwarze
Belisario & Nadel LLP

(57) **CLAIM**

The ornamental design for a liquid transfer device with integral vial adapter.

DESCRIPTION

FIG. 1 is a front perspective view of a liquid transfer device with integral vial adapter in accordance with our new design;

FIG. 2 is a front elevational view thereof;

FIG. 3 is a rear elevational view thereof;

FIG. 4 is a right side elevational view thereof;

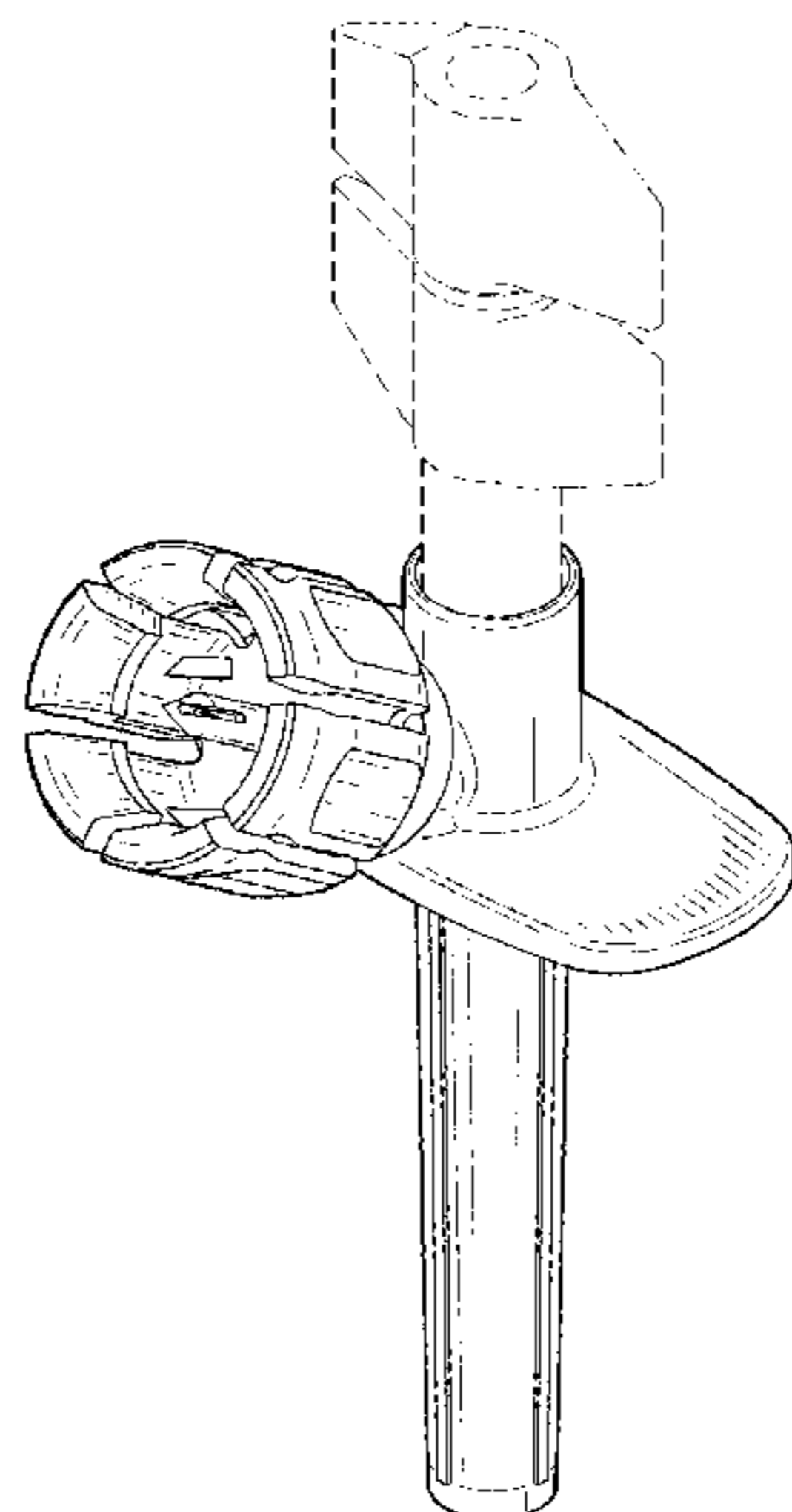
FIG. 5 is left side elevational view thereof;

FIG. 6 is a top plan view thereof; and,

FIG. 7 is a bottom plan view thereof.

The broken line showing of the outlet port is for the purpose of illustrating environmental structure and forms no part of the claimed design.

1 Claim, 7 Drawing Sheets



(56)

References Cited

U.S. PATENT DOCUMENTS

6,474,375 B2 11/2002 Spero et al.
6,478,788 B1 11/2002 Aneas
D468,015 S 12/2002 Horppu
6,499,617 B1 12/2002 Niedospial, Jr. et al.
6,503,240 B1 1/2003 Niedospial, Jr. et al.
6,503,244 B2 1/2003 Hayman
6,520,932 B2 2/2003 Taylor
6,524,278 B1 2/2003 Campbell et al.
6,524,295 B2 2/2003 Daubert et al.
D472,316 S 3/2003 Douglas et al.
6,530,903 B2 3/2003 Wang et al.
6,537,263 B1 3/2003 Aneas
D472,630 S 4/2003 Douglas et al.
6,544,246 B1 4/2003 Niedospial, Jr.
6,551,299 B2 4/2003 Miyoshi et al.
6,558,365 B2 5/2003 Zinger et al.
6,571,837 B2 6/2003 Jansen et al.
6,572,591 B2 6/2003 Mayer
6,575,955 B2 6/2003 Azzolini
6,581,593 B1 6/2003 Rubin et al.
6,582,415 B1 6/2003 Fowles et al.
D476,731 S 7/2003 Cise et al.
6,591,876 B2 7/2003 Safabash
6,599,273 B1 7/2003 Lopez
6,601,721 B2 8/2003 Jansen et al.
6,626,309 B1 9/2003 Jansen et al.
6,638,244 B1 10/2003 Reynolds
D482,121 S 11/2003 Harding et al.
D482,447 S 11/2003 Harding et al.
6,651,956 B2 11/2003 Miller
6,652,509 B1 11/2003 Helgren et al.
D483,487 S 12/2003 Harding et al.
D483,869 S 12/2003 Tran et al.
6,656,433 B2 12/2003 Sasso
6,666,852 B2 12/2003 Niedospial, Jr.
6,681,810 B2 1/2004 Weston
6,681,946 B1 1/2004 Jansen et al.
6,682,509 B2 1/2004 Lopez
6,692,478 B1 2/2004 Paradis
6,692,829 B2 2/2004 Stubler et al.
6,695,829 B2 2/2004 Hellstrom et al.
6,699,229 B2 3/2004 Zinger et al.
6,706,022 B1 3/2004 Leinsing et al.
6,706,031 B2 3/2004 Manera
6,715,520 B2 4/2004 Andreasson et al.
6,729,370 B2 5/2004 Norton et al.
6,736,798 B2 5/2004 Ohkubo et al.
6,745,998 B2 6/2004 Doyle
6,746,438 B1 6/2004 Arnissolle
6,752,180 B2 6/2004 Delay
D495,416 S 8/2004 Dimeo et al.
D496,457 S 9/2004 Prais et al.
6,802,490 B2 10/2004 Leinsing et al.
6,832,994 B2 12/2004 Niedospial, Jr. et al.
6,852,103 B2 2/2005 Fowles et al.
6,875,203 B1 4/2005 Fowles et al.
6,875,205 B2 4/2005 Leinsing
6,878,131 B2 4/2005 Novacek et al.
6,890,328 B2 5/2005 Fowles et al.
D506,256 S 6/2005 Miyoshi et al.
6,901,975 B2 6/2005 Aramata et al.
6,945,417 B2 9/2005 Jansen et al.
6,948,522 B2 9/2005 Newbrough et al.
6,949,086 B2 9/2005 Ferguson et al.
6,951,613 B2 10/2005 Reif et al.
6,957,745 B2 10/2005 Thibault et al.
RE38,996 E 2/2006 Crawford et al.
6,994,315 B2 2/2006 Ryan et al.
6,997,916 B2 2/2006 Simas, Jr. et al.
6,997,917 B2 2/2006 Niedospial, Jr. et al.
7,024,968 B2 4/2006 Raudabough et al.
7,070,589 B2 7/2006 Lolachi et al.
7,074,216 B2 7/2006 Fowles et al.
7,083,600 B2 8/2006 Meloul
7,086,431 B2 8/2006 D'Antonio et al.
7,100,890 B2 9/2006 Cote, Sr. et al.
7,140,401 B2 11/2006 Wilcox et al.
7,150,735 B2 12/2006 Hickle
7,192,423 B2 3/2007 Wong
7,195,623 B2 3/2007 Burroughs et al.
7,241,285 B1 7/2007 Dikeman
7,294,122 B2 11/2007 Kubo et al.
7,306,199 B2 12/2007 Leinsing et al.
D561,348 S 2/2008 Zinger et al.
7,326,188 B1 2/2008 Russell et al.
7,326,194 B2 2/2008 Zinger et al.
7,350,764 B2 4/2008 Raybuck
7,354,422 B2 4/2008 Riesenberger et al.
7,354,427 B2 4/2008 Fangrow
7,425,209 B2 9/2008 Fowles et al.
7,435,246 B2 10/2008 Zihlmann
D580,558 S * 11/2008 Shigesada et al. D24/216
7,452,348 B2 11/2008 Hasegawa
7,470,257 B2 12/2008 Norton et al.
7,470,265 B2 12/2008 Brugger et al.
7,472,932 B2 1/2009 Weber et al.
7,488,297 B2 2/2009 Flaherty
7,491,197 B2 2/2009 Jansen et al.
7,497,848 B2 3/2009 Leinsing et al.
7,523,967 B2 4/2009 Steppe
7,530,546 B2 5/2009 Ryan et al.
D595,420 S 6/2009 Suzuki et al.
D595,421 S 6/2009 Suzuki et al.
7,540,863 B2 6/2009 Haindl
7,540,865 B2 6/2009 Griffin et al.
7,544,191 B2 6/2009 Peluso et al.
D595,862 S 7/2009 Suzuki et al.
D595,863 S 7/2009 Suzuki et al.
7,611,487 B2 11/2009 Woehr et al.
7,611,502 B2 11/2009 Daly
7,615,041 B2 11/2009 Sullivan et al.
7,628,779 B2 12/2009 Aneas
7,632,261 B2 12/2009 Zinger et al.
D608,900 S 1/2010 Giraud et al.
7,654,995 B2 2/2010 Warren et al.
7,670,326 B2 3/2010 Shemesh
7,695,445 B2 4/2010 Yuki
D616,090 S 5/2010 Kawamura
7,713,247 B2 5/2010 Lopez
7,717,886 B2 5/2010 Lopez
7,722,090 B2 5/2010 Burton et al.
D616,984 S 6/2010 Gilboa
7,731,678 B2 6/2010 Tennican et al.
7,743,799 B2 6/2010 Mosler et al.
7,744,581 B2 6/2010 Wallen et al.
7,757,901 B2 7/2010 Welp
7,758,082 B2 7/2010 Weigel et al.
7,762,524 B2 7/2010 Cawthon et al.
7,766,304 B2 8/2010 Phillips
7,771,383 B2 8/2010 Truitt et al.
D624,641 S 9/2010 Boclet
7,799,009 B2 9/2010 Niedospial, Jr. et al.
7,803,140 B2 9/2010 Fangrow, Jr.
D627,216 S 11/2010 Fulginiti
D630,732 S 1/2011 Lev et al.
7,862,537 B2 1/2011 Zinger et al.
7,867,215 B2 1/2011 Akerlund et al.
7,879,018 B2 2/2011 Zinger et al.
D634,007 S 3/2011 Zinger et al.
7,900,659 B2 3/2011 Whitley et al.
D637,713 S 5/2011 Nord et al.
D641,080 S * 7/2011 Zinger et al. D24/129
7,985,216 B2 7/2011 Daily et al.
D644,104 S 8/2011 Maeda et al.
7,993,328 B2 8/2011 Whitley
8,007,461 B2 8/2011 Huo et al.
8,012,132 B2 9/2011 Lum et al.
8,016,809 B2 9/2011 Zinger et al.
8,021,325 B2 9/2011 Zinger et al.
8,025,653 B2 9/2011 Capitaine et al.
8,029,472 B2 10/2011 Leinsing et al.
8,038,123 B2 10/2011 Ruschke et al.
8,066,688 B2 11/2011 Zinger et al.
8,070,739 B2 12/2011 Zinger et al.

(56)

References Cited

OTHER PUBLICATIONS

- Office Action issued Mar. 1, 2012 in CN Application No. 2008801108283.4.
- Office Action issued Nov. 11, 2013 in IL Application No. 218730.
- U.S. Appl. No. 29/478,726 by Lev, filed Jan. 8, 2014.
- Office Action issued Jan. 2, 2014 in U.S. Appl. No. 13/505,881 by Lev.
- Office Action issued Mar. 6, 2012 in U.S. Appl. No. 12/678,928.
- Int'l Search Report issued Feb. 3, 2011 in Int'l Application No. PCT/IL2010/000777; Written Opinion.
- Int'l Search Report issued Mar. 17, 2011 in Int'l Application No. PCT/IL2010/000854; Written Opinion.
- Int'l Search Report issued Mar. 17, 2011 in Int'l Application No. PCT/IL2010/000915; Written Opinion.
- U.S. Appl. No. 13/505,790 by Lev, filed May 3, 2012.
- U.S. Appl. No. 13/505,881 by Lev, filed May 3, 2012.
- U.S. Appl. No. 13/522,410 by Lev, filed Jul. 16, 2012.
- U.S. Appl. No. 13/576,461 by Lev, filed Aug. 1, 2012.
- Office Action issued Jun. 14, 2012 in U.S. Appl. No. 29/376,980.
- Office Action issued Jun. 15, 2012 in U.S. Appl. No. 29/413,170.
- Office Action issued Jun. 21, 2012 in U.S. Appl. No. 12/596,167.
- Alaris Medical Systems Product Brochure, 4 pages, Issue 1, Oct. 11, 1999.
- Smart Site Needle-Free Systems, Alaris Medical Systems Webpage, 4 pages, Feb. 2006.
- Photographs of Alaris Medical Systems SmartSite.RTM. device, 5 pages, 2002.
- Non-Vented Vial Access Pin with Ultrasite.RTM. Valve, B. Braun Medical, Inc. website and product description, 3 pages, Feb. 2006.
- Int'l Search Report issued Aug. 16, 2012 in Int'l Application No. PCT/IL2012/000164.
- U.S. Appl. No. 29/438,134 by Lev, filed Nov. 27, 2012.
- U.S. Appl. No. 29/438,141 by Gilboa, filed Nov. 27, 2012.
- Int'l Search Report issued Jan. 22, 2013 in Int'l Application No. PCT/IL2012/000354.
- Int'l Search Report issued Mar. 18, 2013 in Int'l Application No. PCT/IL2012/050516.
- Office Action issued Apr. 2, 2013 in U.S. Appl. No. 13/505,790.
- Int'l Search Report and Written Opinion issued Mar. 6, 2012 in Int'l Application No. PCT/IL2011/000834.
- U.S. Appl. No. 13/883,289 by Lev, filed May 3, 2013.
- Int'l Search Report & Written Opinion issued on Mar. 7, 2012 in Int'l Application No. PCT/IL2011/000829.
- U.S. Appl. No. 13/884,981 by Denenburg, filed May 13, 2013.
- Office Action issued May 31, 2013 in U.S. Appl. No. 13/505,790.
- Int'l Search Report issued Jun. 5, 2013 in Int'l Application No. PCT/IL2012/050407.
- Int'l Search Report issued Jun. 19, 2013 in Int'l Application No. PCT/IL2013/050167.
- Int'l Search Report issued Jul. 1, 2013 in Int'l Application No. PCT/IL2013/050180.
- Int'l Search Report issued Jul. 31, 2013 in Int'l Application No. PCT/IL2013/050313.
- Int'l Search Report issued Jul. 26, 2013 in Int'l Application No. PCT/IL2013/050316.
- English translation of an Office Action issued Jun. 19, 2013 in JP Application No. 2012-531551.
- Office Action issued Aug. 20, 2013 in U.S. Appl. No. 13/576,461 by Lev.
- Int'l Preliminary Report on Patentability issued Aug. 28, 2012 in Int'l Application No. PCT/IL2011/000186.
- U.S. Appl. No. 14/005,751 by Denenburg, filed Sep. 17, 2013.
- English translation of an Office Action issued Jul. 26, 2013 in JP Application No. 2012-538464.
- International Search Report Issued Jan. 23, 2007 in Int'l Application No. PCT/IL/2006/001228.
- IV disposables sets catalogue, Cardinal Health, Alaris® products, SmartSite® access devices and accessories product No. 10013365, SmartSite add-on bag access device with spike adapter and needle-free valve bag access port, pp. 1-5, Fall edition (2007).
- Drug Administration Systems product information sheets; <http://www.westpharma.com/eu/en/products/Pages/Vial2Bag.aspx>; pp. 1-3.
- Office Action Issued Jun. 8, 2010 in U.S. Appl. No. 12/112,490 by Zinger.
- Office Action issued Sep. 28, 2010 in U.S. Appl. No. 12/112,490 by Zinger.
- Article with picture of West Pharmaceutical Services' Vial2Bag Needleless System, [on-line]; ISIPS Newsletter, Oct. 26, 2007; retrieved from Internet Feb. 16, 2010; URL:<http://www.isips.org/reports/ISIPS_Newsletter_October_26_2007.html> (7 pages. see pp. 5-6).
- Office Action issued Jun. 15, 2011 in JP Application No. 2008-538492.
- Translation of Office Action issued Jun. 18, 2012 in JP Application No. 2008-538492.
- Translation of Office Action issued Apr. 15, 2013 in JP Application No. 2008-538492.
- Office Action issued Jul. 13, 2012 in U.S. Appl. No. 12/112,490 by Zinger.
- Office Action issued Jan. 23, 2013 in U.S. Appl. No. 12/112,490 by Zinger.
- Int'l Preliminary Report on Patentability issued May 6, 2008 in Int'l Application No. PCT/IL2006/001228.
- Written Opinion issued Aug. 16, 2012 in Int'l Application No. PCT/IL2012/000164.
- English translation of an Office Action issued Sep. 10, 2013 in JP Application No. 2012-554468.
- Written Opinion issued Jun. 5, 2013 in Int'l Application No. PCT/IL2012/050407.
- Int'l Preliminary Report on Patentability issued Aug. 20, 2014 in Int'l Application No. PCT/IL2012/050407.
- Office Action issued Jan. 2, 2015 in U.S. Appl. No. 29/438,141 by Gilboa.
- Office Action issued Jan. 5, 2015 in U.S. Appl. No. 29/413,220 by Lev.
- Office Action issued Jan. 7, 2015 in U.S. Appl. No. 29/438,134 by Lev.
- U.S. Appl. No. 14/423,595 by Lev, filed Feb. 24, 2015.
- U.S. Appl. No. 14/423,612 by Lev, filed Feb. 24, 2015.
- U.S. Appl. No. 14/425,582 by Lev, filed Mar. 3, 2015.
- Int'l Preliminary Report on Patentability issued Sep. 24, 2013 in Int'l Application No. PCT/IL2012/000354.
- Office Action issued Feb. 13, 2014 in U.S. Appl. No. 13/884,981 by Denenburg.
- U.S. Appl. No. 14/345,094 by Lev, filed Mar. 14, 2014.
- Int'l Search Report and Written Opinion issued Jan. 7, 2014 in Int'l Application No. PCT/IL2012/050721.
- English translation of an Office Action issued Jan. 9, 2014 in JP Application No. 2010-526421.
- English translation of an Office Action issued Dec. 4, 2013 in CN Application No. 201080051210.3.
- English translation of an Office Action issued Dec. 25, 2013 in CN Application No. 201180006530.1.
- Office Action issued Nov. 28, 2013 in IN Application No. 4348/DELNP/2008.
- Office Action issued Oct. 8, 2013 in CN Application No. 201080043825.1.
- English translation of an Office Action issued Feb. 4, 2014 in JP Application No. 2012-554468.
- Office Action issued Jan. 17, 2014 in CN Application No. 201180006534.X.
- Int'l Search Report and Written Opinion issued May 8, 2014 in Int'l Application No. PCT/IL2013/050706.
- English translation of an Office Action issued Apr. 28, 2014 in JP Application No. 2013-537257.
- Int'l Preliminary Report on Patentability issued Jan. 14, 2014 in Int'l Application No. PCT/IL2012/050516.
- Office Action issued May 6, 2014 in U.S. Appl. No. 13/505,881 by Lev.
- U.S. Appl. No. 14/366,306 by Lev, filed Jun. 18, 2014.
- Office Action issued Apr. 17, 2014 in CN Application No. 201080051201.4.

(56)

References Cited

OTHER PUBLICATIONS

Int'l Search Report and Written Opinion issued Jul. 16, 2014 in Int'l Application No. PCT/IL2014/050327.
English translation of an Office Action issued Jun. 30, 2014 in CN Application No. 201180052962.6.
Extended European Search Report issued Jun. 3, 2014 in EP Application No. 08781828.2.
Written Opinion issued Jul. 31, 2013 in Int'l Application No. PCT/IL2013/050313.
Int'l Preliminary Report on Patentability issued May 12, 2014 in Int'l Application No. PCT/IL2013/050316.
Office Action issued Jul. 31, 2014 in U.S. Appl. No. 29/438,141 by Gilboa.
U.S. Appl. No. 14/385,212 by Lev, filed Sep. 15, 2014.
U.S. Appl. No. 29/502,037 by Lev, filed Sep. 11, 2014.
U.S. Appl. No. 29/502,053 by Lev, filed Sep. 11, 2014.
U.S. Appl. No. 14/391,792 by Lev, filed Oct. 10, 2014.
U.S. Appl. No. 14/504,979 by Lev, filed Oct. 2, 2014.
Int'l Search Report and Written Opinion issued Sep. 2, 2014 in Int'l Application No. PCT/IL2014/050405.
Int'l Search Report and Written Opinion issued Oct. 17, 2014 in Int'l Application No. PCT/IL2014/050680.
English translation of an Office Action issued Aug. 28, 2014 in JP Application No. 2013-168885.
Office Action issued Dec. 9, 2015 in U.S. Appl. No. 29/478,726 by Lev.
Notice of Allowance issued Jan. 12, 2016 in U.S. Appl. No. 14/385,212 by Lev.

Office Action issued Mar. 17, 2015 in U.S. Appl. No. 14/504,979 by Lev.
Office Action issued Apr. 9, 2015 in U.S. Appl. No. 13/883,289 by Lev.
Office Action issued May 28, 2015 in U.S. Appl. No. 14/391,792 by Lev.
Office Action issued Aug. 24, 2015 in U.S. Appl. No. 14/366,306 by Lev.
Office Action issued Mar. 10, 2015 in EP Application No. 12 812 395.7.
Office Action issued Aug. 7, 2015 in JP Application No. 2015-529206.
Written Opinion issued Apr. 10, 2015 in Int'l Application No. PCT/IL2014/050405.
Response to Written Opinion dated Mar. 9, 2015 in Int'l Application No. PCT/IL2014/050405.
Int'l Preliminary Report on Patentability issued Aug. 24, 2015 in Int'l Application No. PCT/IL2014/050405.
U.S. Appl. No. 14/888,590 by Marks, filed Nov. 2, 2015.
U.S. Appl. No. 14/784,300 by Lev, filed Oct. 14, 2015.
Office Action issued Oct. 5, 2015 in U.S. Appl. No. 14/385,212 by Lev.
U.S. Appl. No. 29/544,969 by Ben Shalom, filed Nov. 9, 2015.
Notice of Allowance issued Mar. 17, 2016 in U.S. Appl. No. 29/502,037 by LEV.
Office Action issued Mar. 25, 2016 in U.S. Appl. No. 29/478,726 by LEV.
Office Action issued Mar. 28, 2016 in JP Application No. 2016-507113.

* cited by examiner

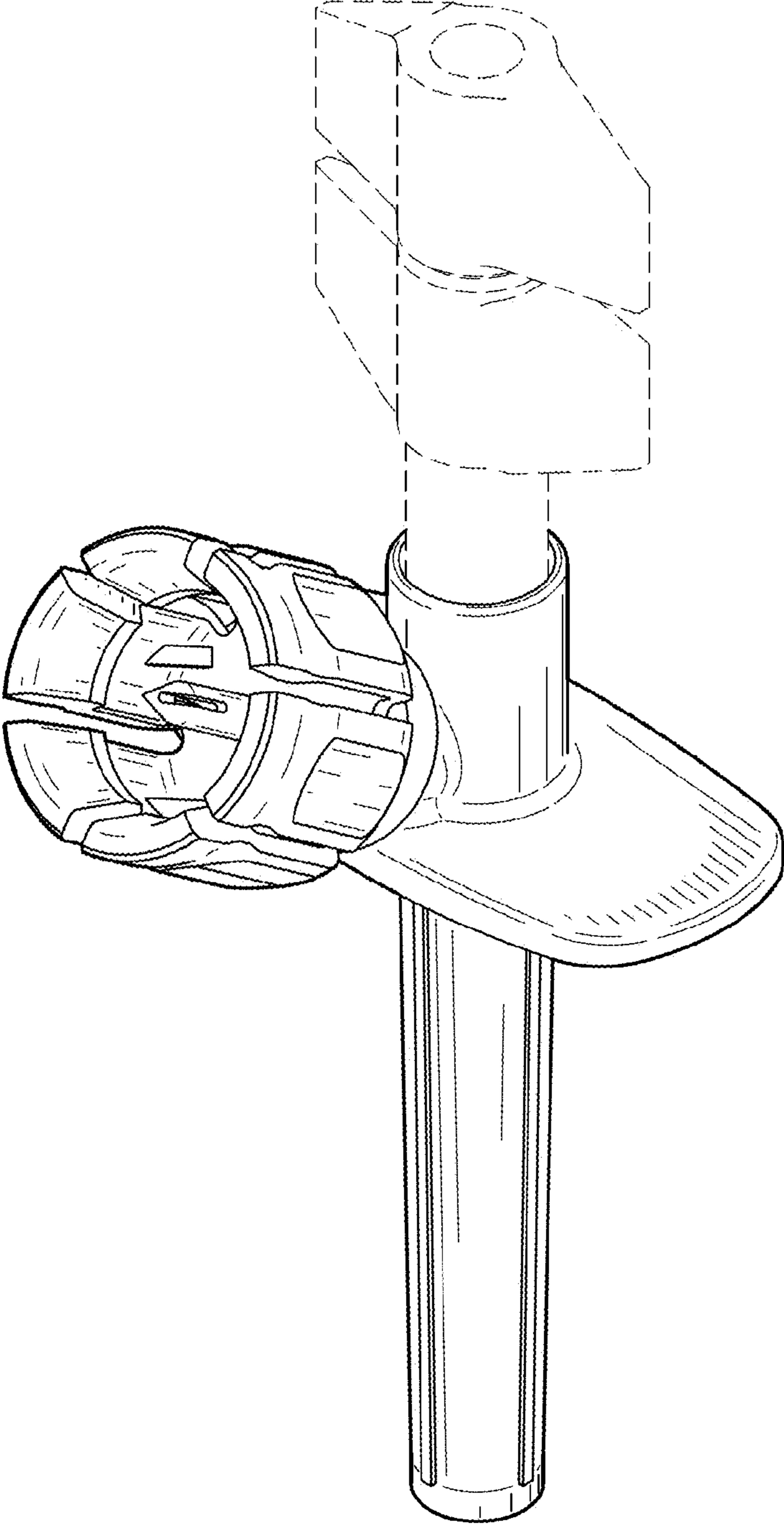


FIG. 1

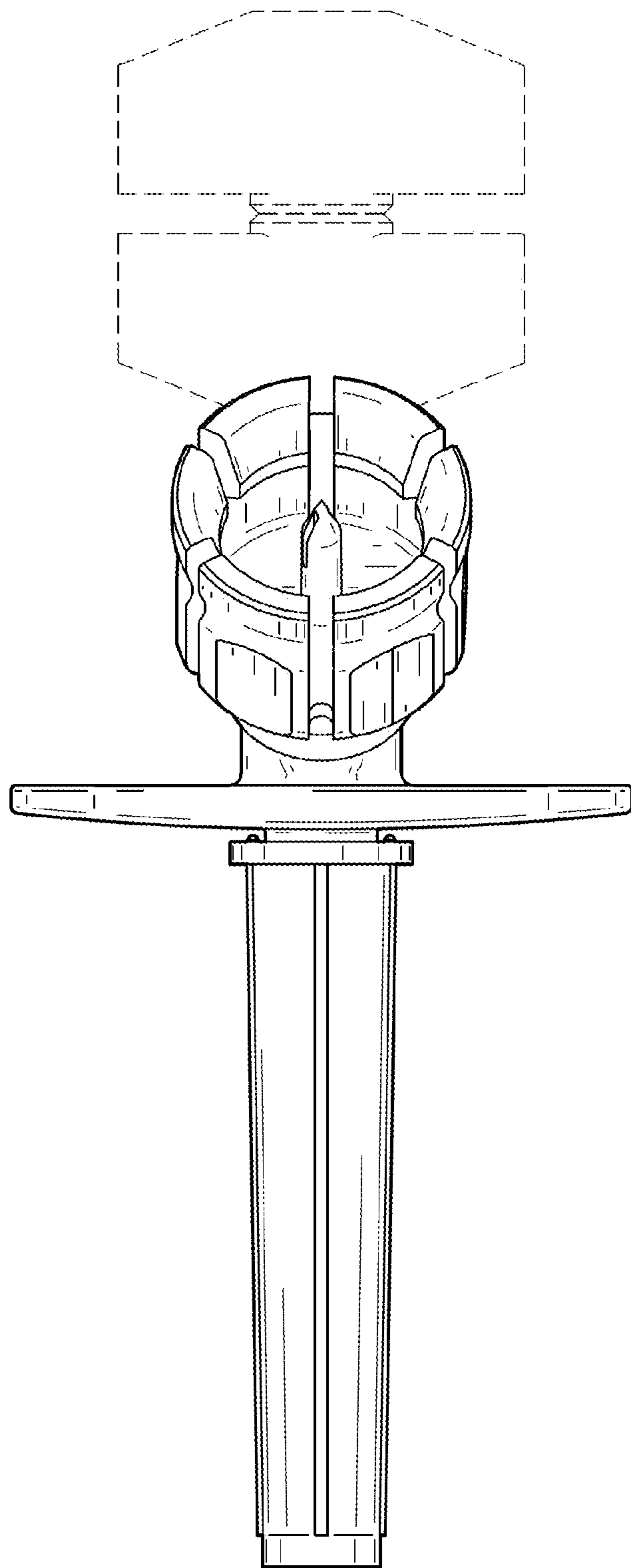


FIG.2

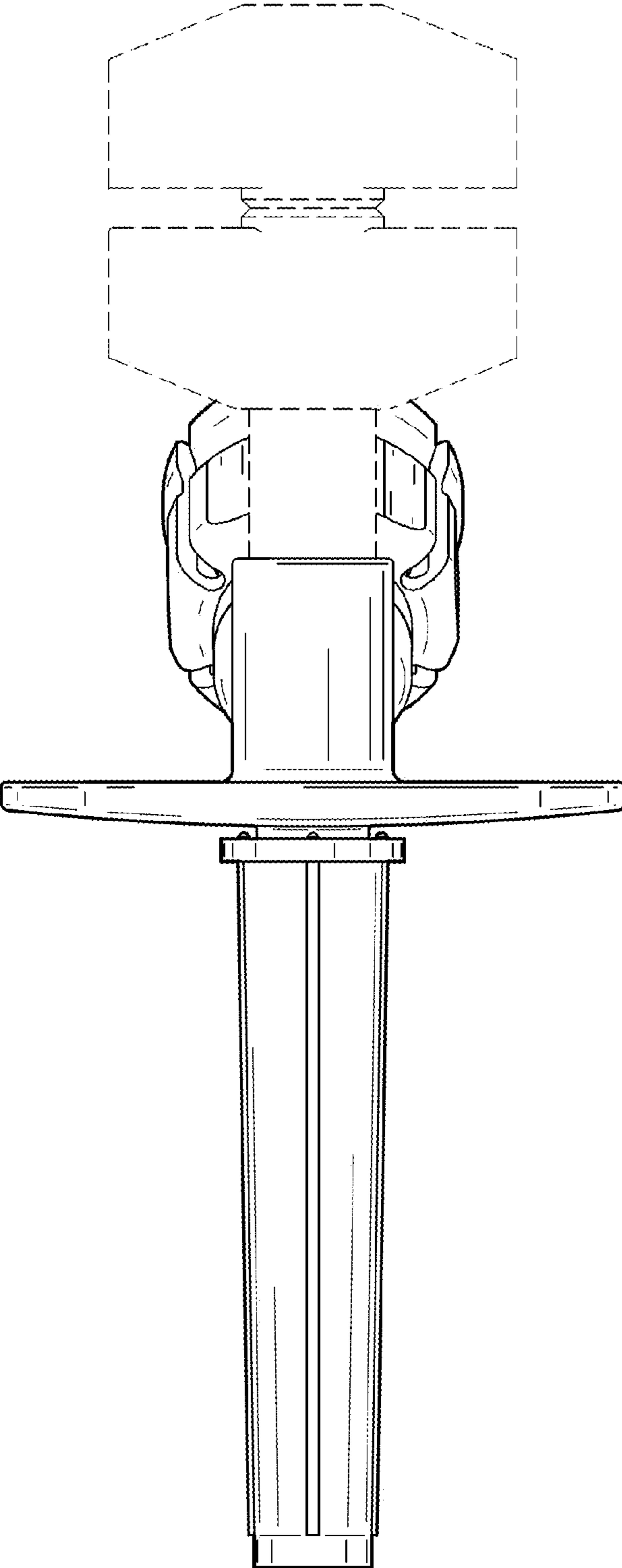


FIG.3

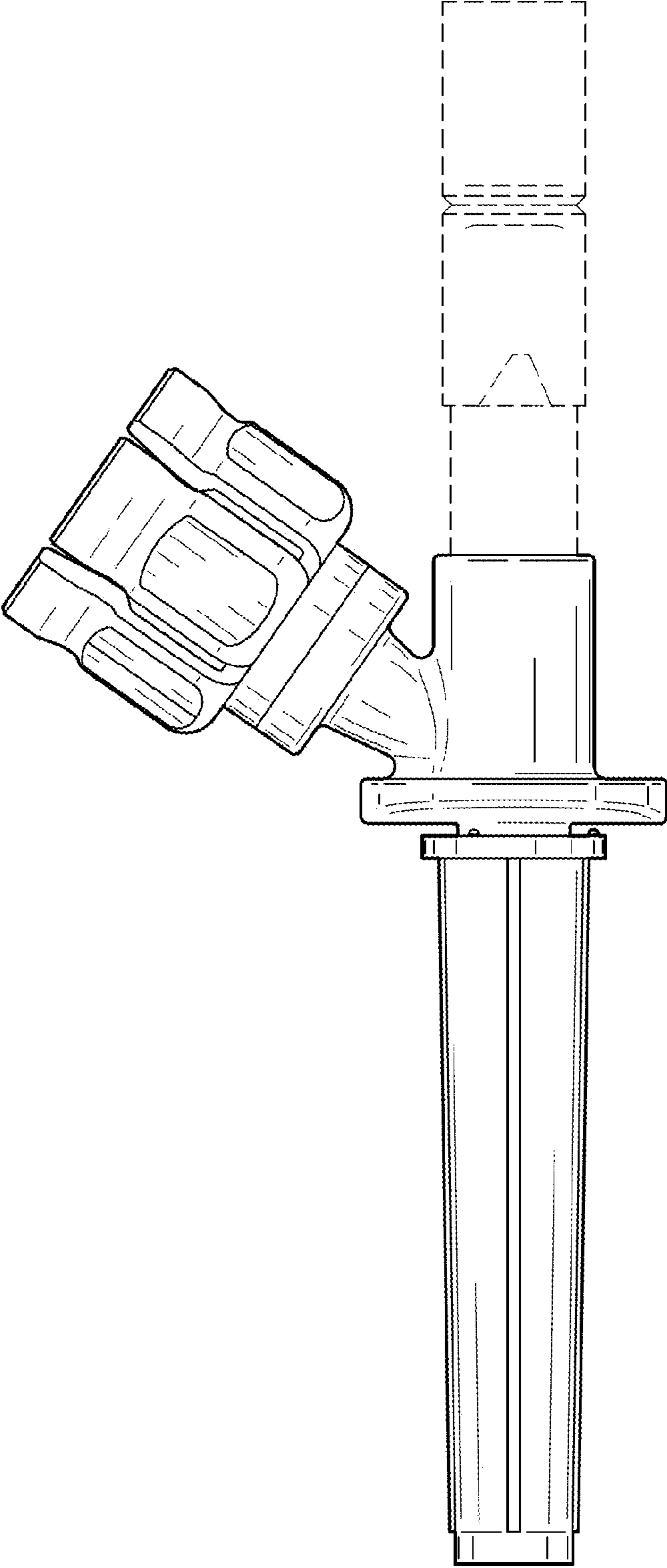


FIG.4

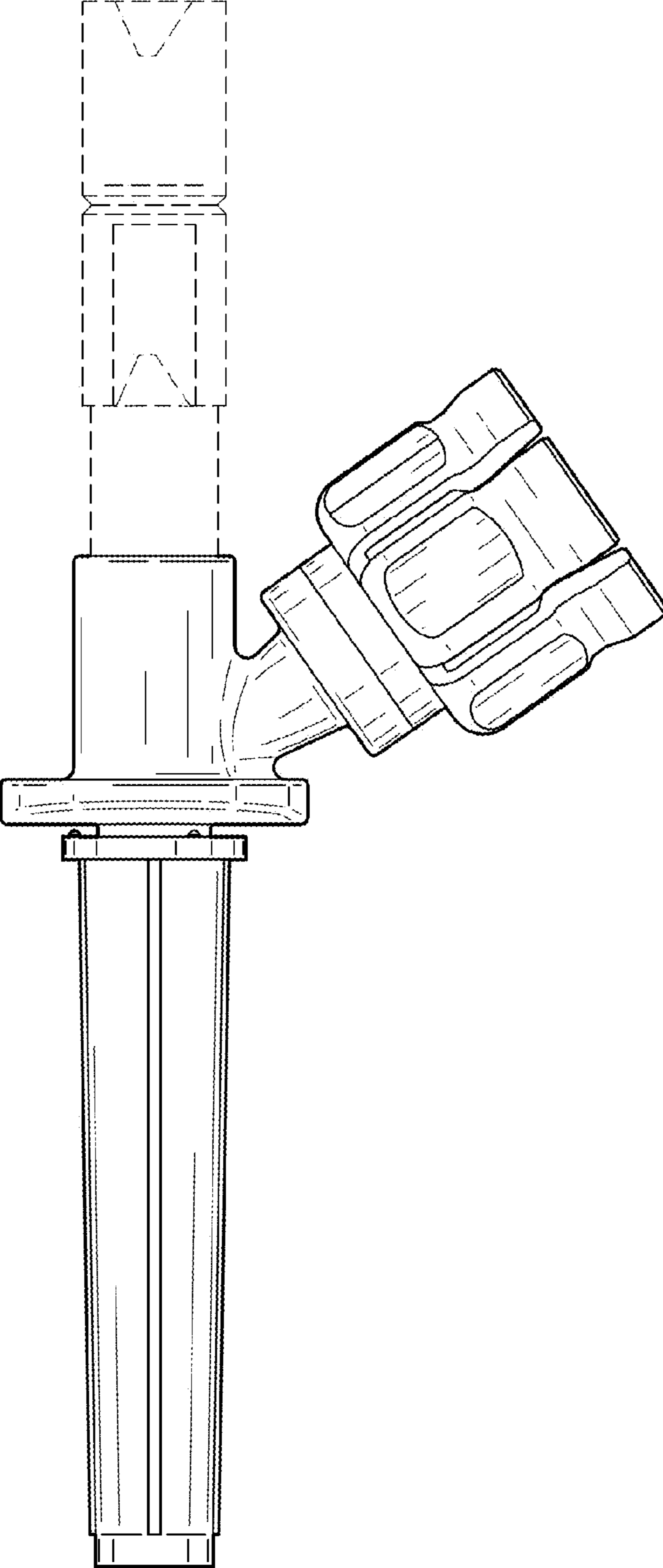


FIG.5

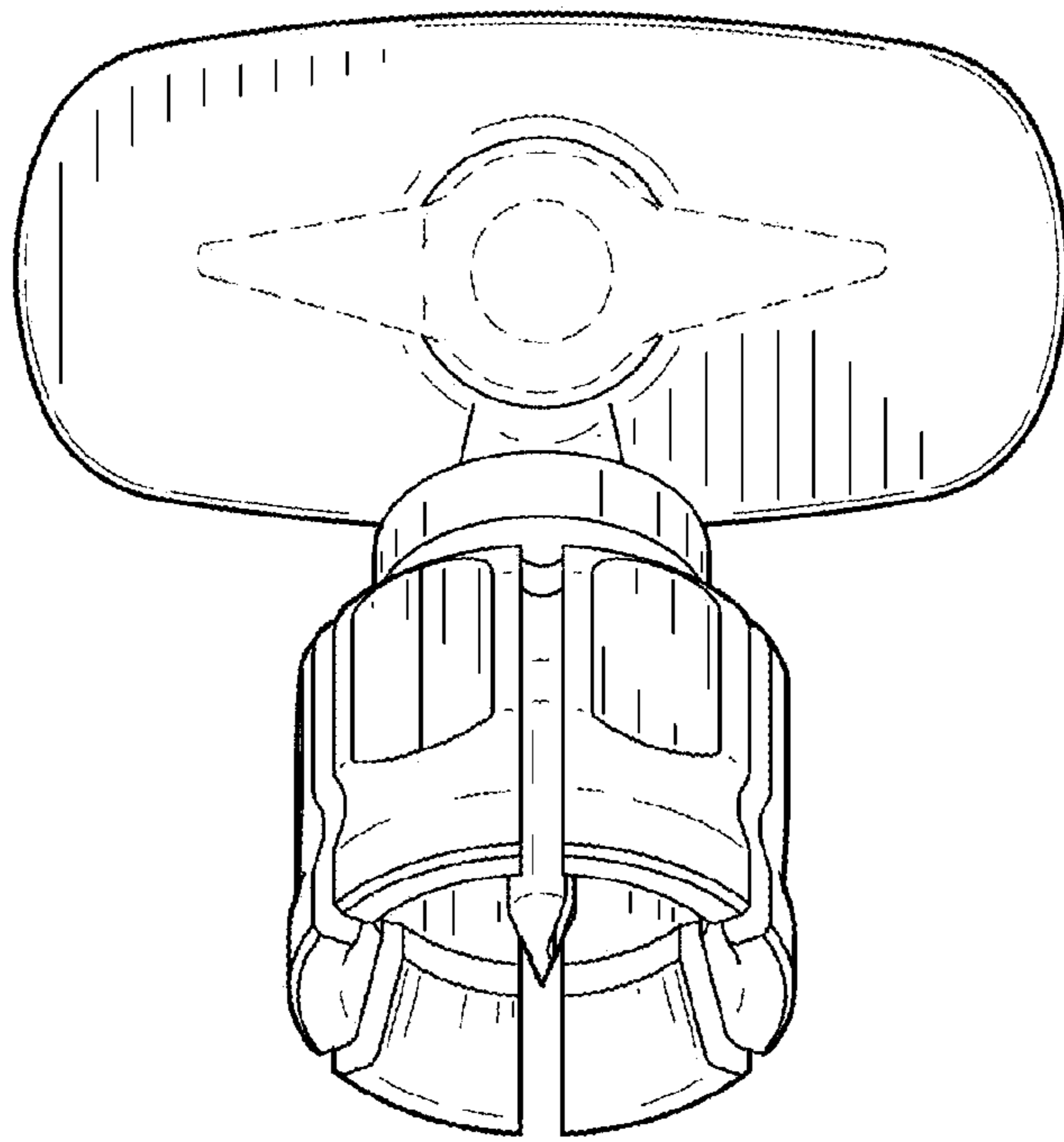


FIG.6

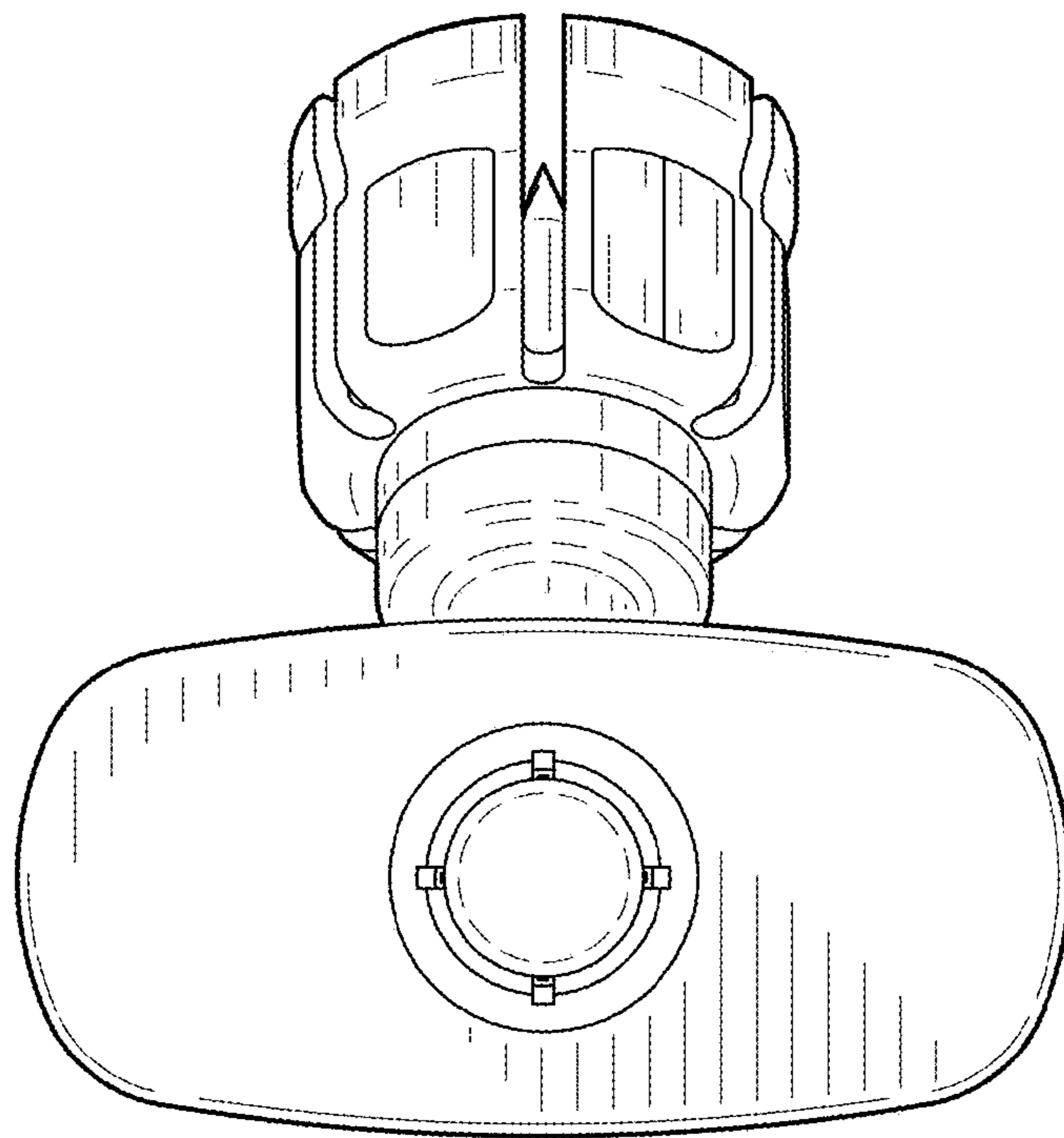


FIG. 7