



US00D767121S

(12) **United States Design Patent** (10) **Patent No.:** **US D767,121 S**
Dombrowski et al. (45) **Date of Patent:** **** Sep. 20, 2016**

(54) **LIQUID APPLICATOR**
(71) Applicant: **3M INNOVATIVE PROPERTIES COMPANY**, St. Paul, MN (US)
(72) Inventors: **Alan R. Dombrowski**, Woodbury, MN (US); **Jason L. Aveldson**, Prior Lake, MN (US); **Dylan T. Cosgrove**, Oakdale, MN (US)
(73) Assignee: **3M INNOVATIVE PROPERTIES COMPANY**, St. Paul, MN (US)

5,312,197 A 5/1994 Abramson
5,396,737 A 3/1995 Englund
5,435,660 A 7/1995 Wirt
5,445,462 A 8/1995 Johnson
5,538,353 A 7/1996 DeHavilland
5,658,084 A 8/1997 Wirt
D386,849 S 11/1997 DeHavilland
5,690,958 A 11/1997 McGrath
5,752,363 A 5/1998 Edwards
5,769,552 A 6/1998 Kelley
5,772,346 A 6/1998 Edwards
5,775,826 A 7/1998 Miller

(Continued)

(**) Term: **14 Years**

FOREIGN PATENT DOCUMENTS

(21) Appl. No.: **29/509,188**

WO WO 02-46089 6/2002
WO WO 2013-162882 10/2013

(22) Filed: **Nov. 14, 2014**

Primary Examiner — Garth Rademaker

(51) **LOC (10) Cl.** **24-02**

Assistant Examiner — Samantha Q Lawrence

(52) **U.S. Cl.**
USPC **D24/119**

(58) **Field of Classification Search**
USPC D24/114, 119, 127, 128, 130, 133, 147,
D24/184; 128/919; 604/2, 192, 195, 197,
604/263

(57) **CLAIM**

The ornamental design for a liquid applicator, as shown and described.

See application file for complete search history.

DESCRIPTION

(56) **References Cited**

U.S. PATENT DOCUMENTS

3,757,782 A 9/1973 Aiken
3,891,331 A 6/1975 Avery
4,183,684 A 1/1980 Avery, Jr.
4,528,268 A 7/1985 Andersen
4,545,012 A 10/1985 Clancy
4,584,192 A 4/1986 Dell
4,925,327 A 5/1990 Wirt
4,957,385 A 9/1990 Weinstein
4,962,562 A 10/1990 Englund
5,007,128 A 4/1991 Englund
5,098,297 A 3/1992 Chari
5,120,301 A 6/1992 Wu
5,288,159 A 2/1994 Wirt
5,308,180 A 5/1994 Pournoor

FIG. 1 is a front perspective view of a liquid applicator, showing the new design.

FIG. 2 is a left side elevational view thereof, the right side elevational view being a mirror image of the left side elevational view;

FIG. 3 is a top plan view thereof;

FIG. 4 is a bottom plan view thereof;

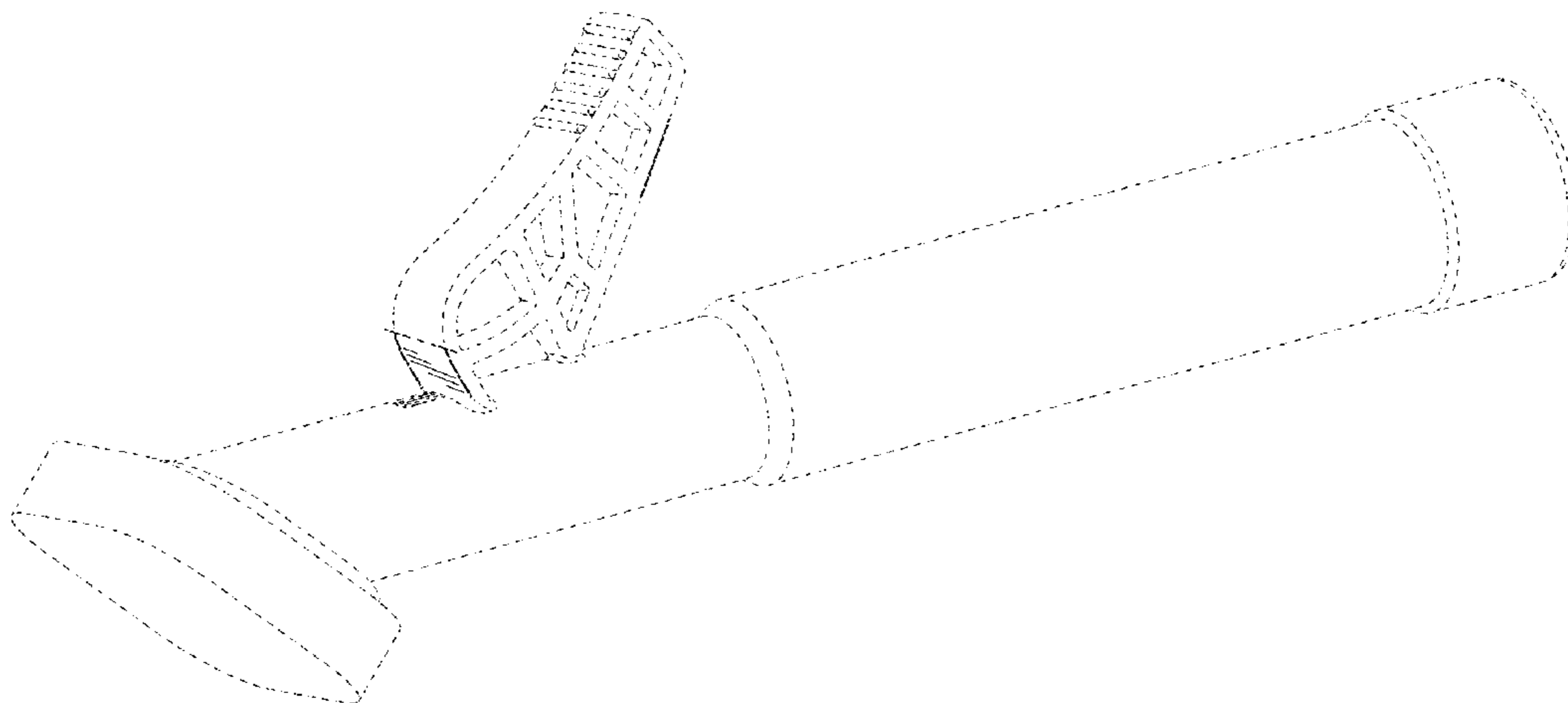
FIG. 5 is a front elevational view thereof; and,

FIG. 6 is a rear elevational view thereof.

The dash dot dash lines illustrate boundaries of the claimed design. The broken lines illustrate portions of the liquid applicator that form no part of the claimed design.

In addition, the surface shading illustrated in the drawings is provided merely to highlight contour of the design; it is not intended to be illustrative of texture or gloss.

1 Claim, 3 Drawing Sheets



(56)

References Cited

U.S. PATENT DOCUMENTS

D396,911 S	8/1998	DeHavilland		7,834,122 B2	11/2010	Ferenz	
D442,280 S *	5/2001	Crawford	D24/130	7,866,907 B2 *	1/2011	Cable, Jr.	A61M 35/003 401/132
6,299,377 B1	10/2001	Emerit		8,556,529 B2 *	10/2013	Law	A61M 35/006 401/132
6,340,097 B1	1/2002	D'Alessio		2002/0072715 A1 *	6/2002	Newby	A61B 5/150587 604/192
6,371,675 B1	4/2002	Hoang		2002/0151853 A1 *	10/2002	Crawford	A61B 5/150587 604/197
6,478,191 B1	11/2002	D'Alessio		2004/0054334 A1 *	3/2004	Prais	A61B 17/205 604/263
6,488,428 B1	12/2002	Fischer		2004/0254561 A1	12/2004	Stenton	
6,536,975 B1	3/2003	Tufts		2007/0248399 A1	10/2007	Tufts	
6,729,786 B1	5/2004	Tufts		2007/0253909 A1	11/2007	Magallon	
D496,457 S *	9/2004	Prais	D24/112	2007/0254854 A1	11/2007	Magallon	
6,910,822 B2	6/2005	Hidle		2008/0108674 A1	5/2008	Magallon	
6,991,393 B2	1/2006	Tufts		2008/0292383 A1	11/2008	Tufts	
6,991,394 B2	1/2006	Tufts		2008/0298879 A1	12/2008	Chesak	
7,182,536 B2	2/2007	Tufts		2013/0202482 A1 *	8/2013	Froimson	A61M 35/006 422/28
7,201,577 B2	4/2007	Levine		2015/0094640 A1 *	4/2015	Dombrowski	A61M 35/006 604/2
7,241,065 B2	7/2007	Tufts					
7,261,701 B2	8/2007	Davis					
7,540,681 B2	6/2009	Cybulski					
D601,695 S *	10/2009	Crawford	D24/113				

* cited by examiner

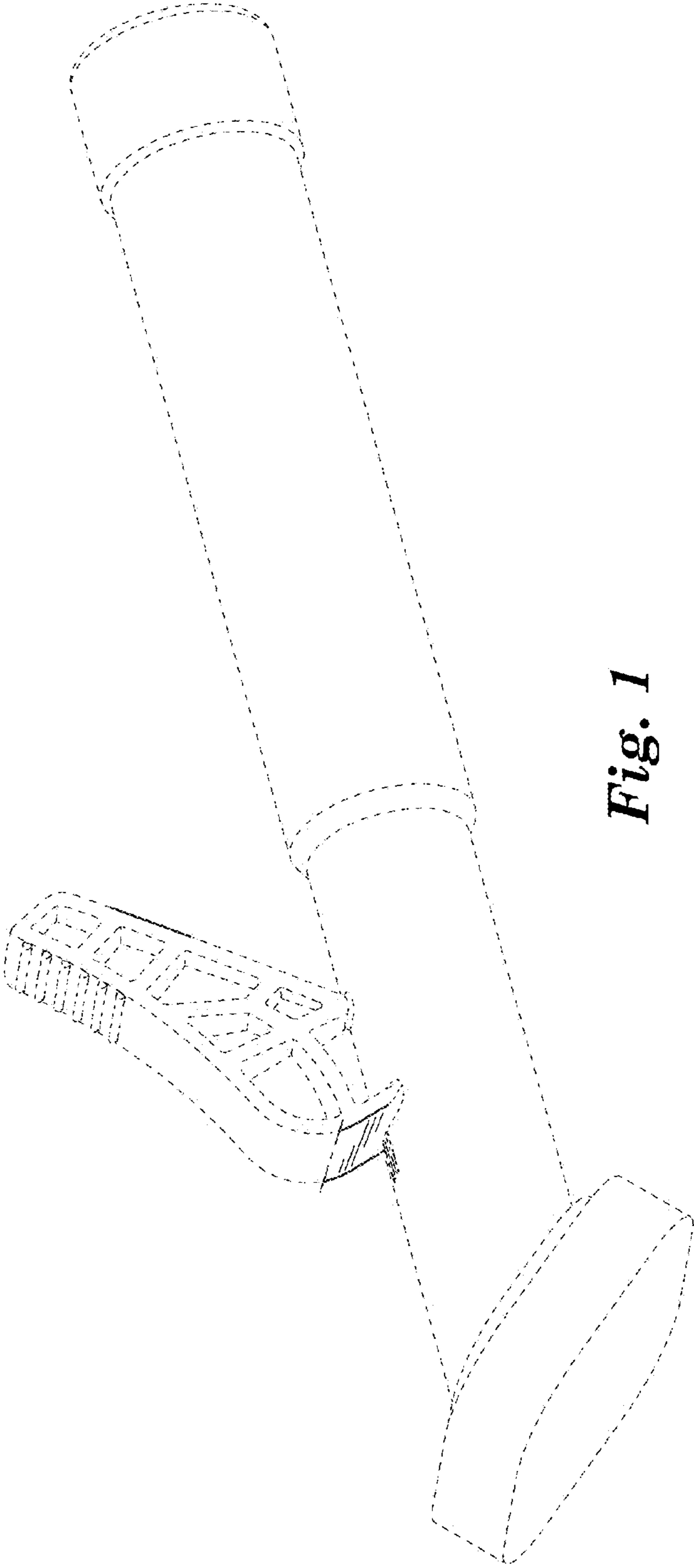


Fig. 1

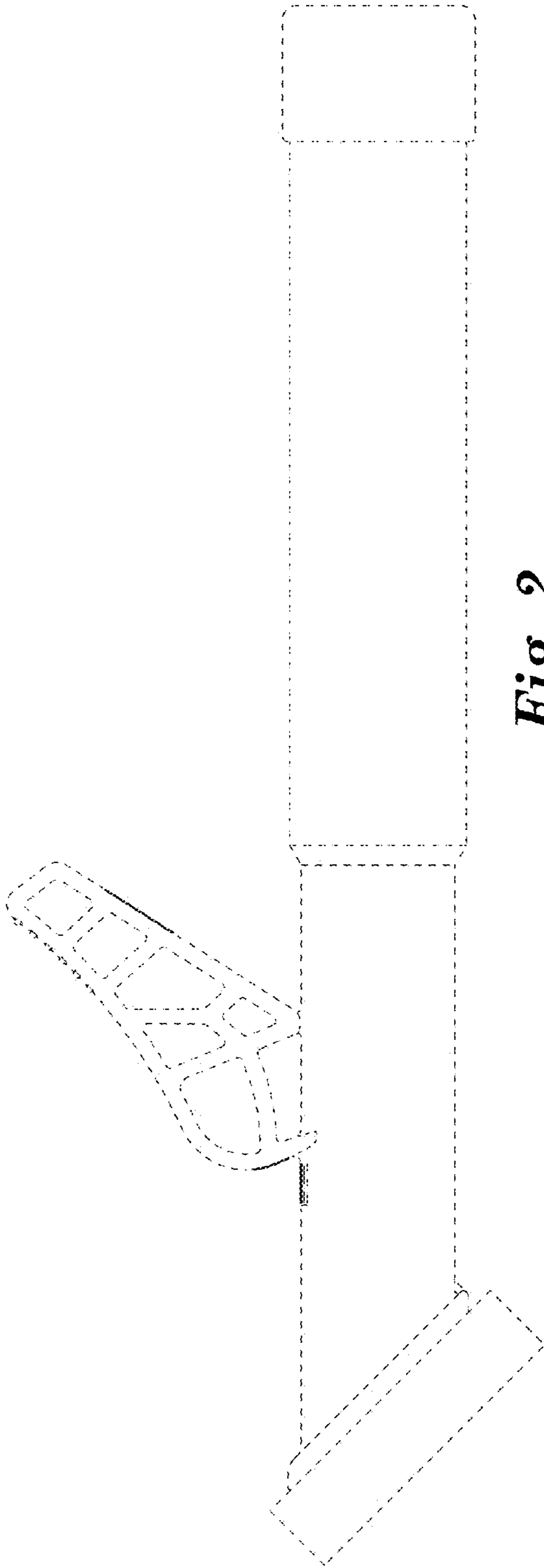


Fig. 2

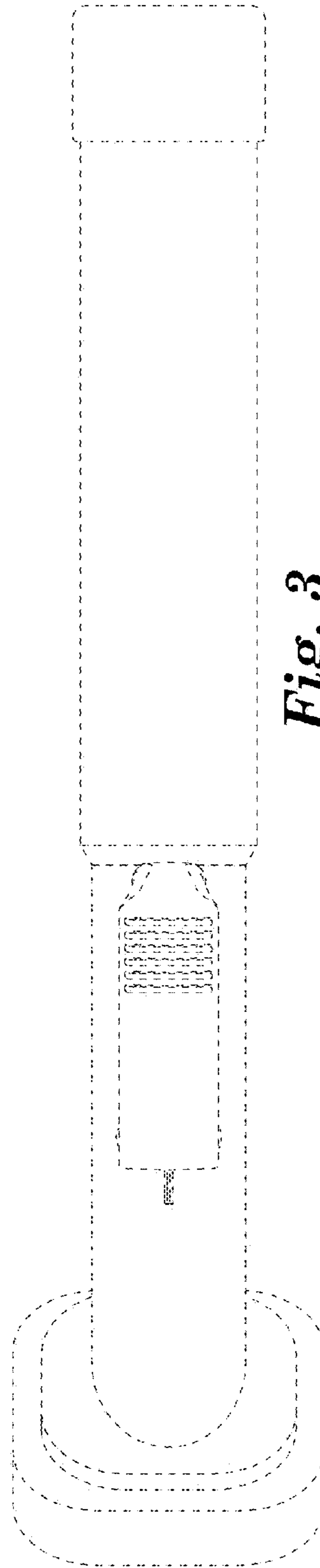


Fig. 3

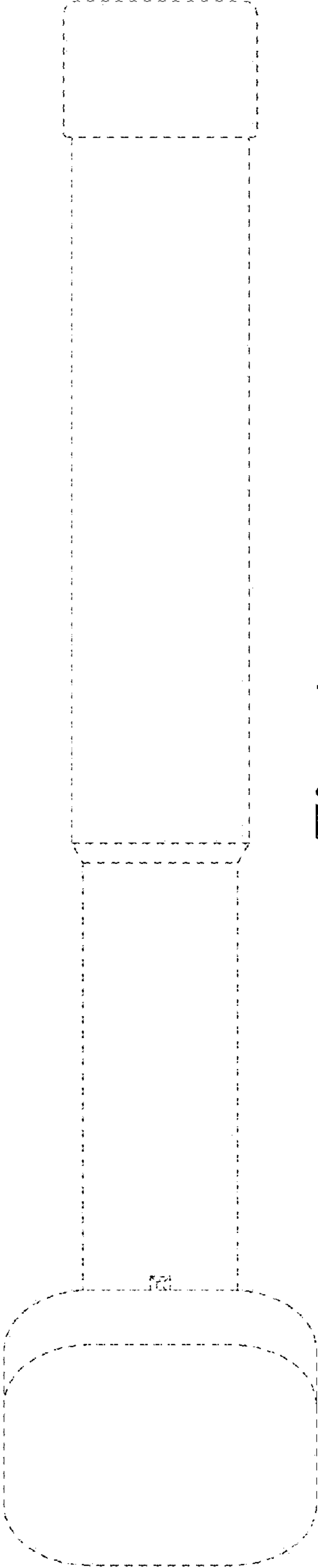


Fig. 4

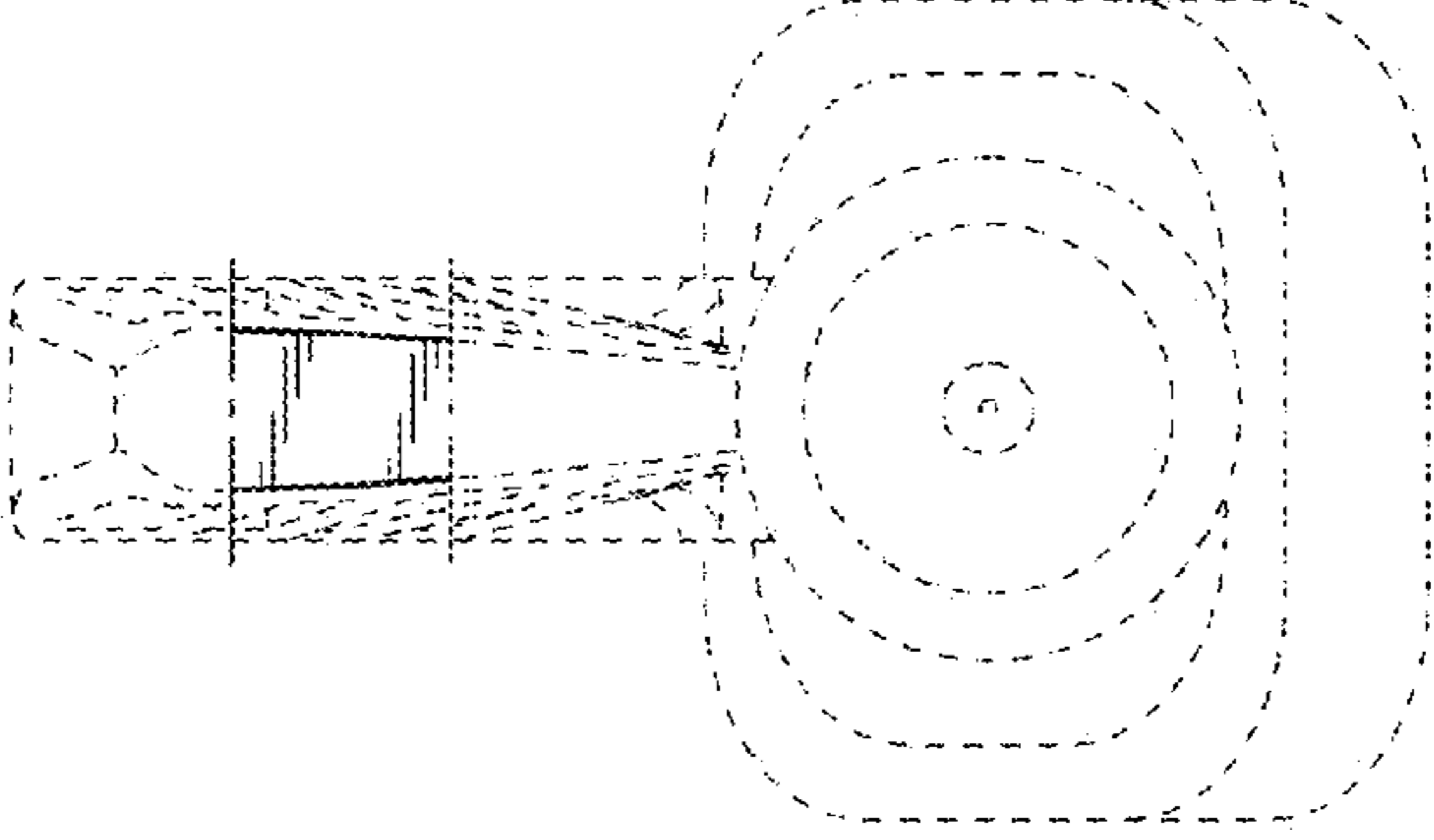


Fig. 6

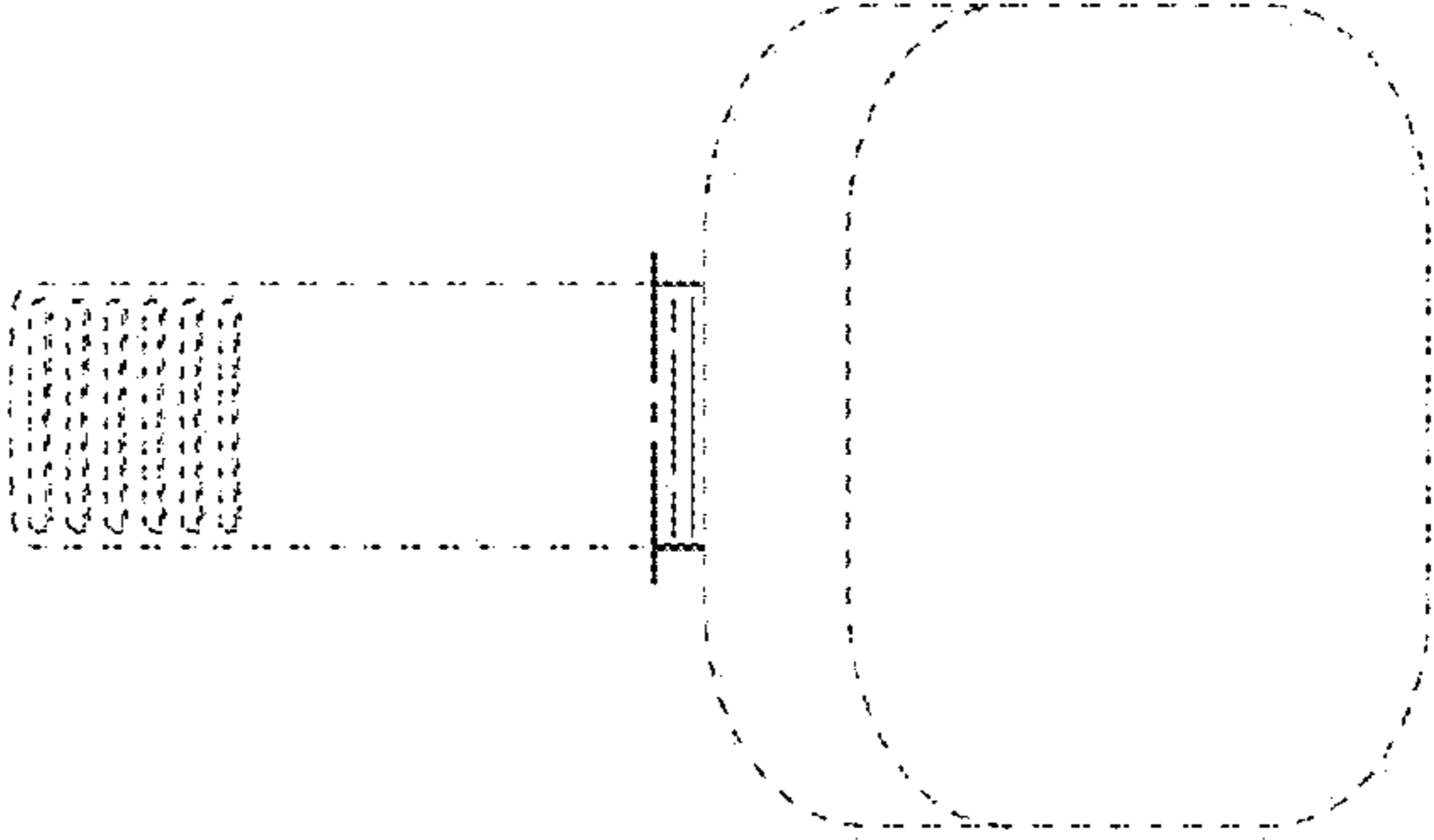


Fig. 5