

US00D767118S

(12) **United States Design Patent** (10) **Patent No.:** **US D767,118 S**
Hyde et al. (45) **Date of Patent:** **** Sep. 20, 2016**

(54) **ROLLER PUMP**

OTHER PUBLICATIONS

(71) Applicant: **MAQUET Cardiopulmonary GmbH**,
Rastatt (DE)

Sorin I S5 Brochure, Sorin Group USA, Inc., 2010.

(Continued)

(72) Inventors: **Aidan Hyde**, Collingswood, NJ (US);
William James Repka, Parsippany, NJ
(US); **Daniel A. Walters**, Rockaway
Township, NJ (US); **Roland Hopp**,
Hamburg (DE); **Thomas Märzke**,
Hamburg (DE); **Manfred Held**,
Hamburg (DE)

Primary Examiner — Ralf Seifert

(74) *Attorney, Agent, or Firm* — Wesley Scott Ashton; Kirk
Swenson

(57) **CLAIM**

The ornamental design for a roller pump, as shown and
described.

DESCRIPTION

(73) Assignee: **MAQUET CARDIOPULMONARY**
GmbH, Rastatt (DE)

FIG. 1 is an oblique perspective view of the roller pump of
this disclosure.

(**) Term: **15 Years**

FIG. 2 is a rear view of the roller pump of this disclosure.

(21) Appl. No.: **29/526,774**

FIG. 3 is a front view of the roller pump of this disclosure.

(22) Filed: **May 13, 2015**

FIG. 4 is a side view of the right-hand side of the roller pump
of this disclosure.

(51) **LOC (10) Cl.** **24-02**

FIG. 5 is a side view of the left-hand side of the roller pump
of this disclosure.

(52) **U.S. Cl.**
USPC **D24/111**

FIG. 6 is a plan view of the roller pump of this disclosure.

(58) **Field of Classification Search**
USPC D15/7-9; D23/231, 232, 225; 417/60,
417/235, 265, 321, 355, 358, 363, 359,
417/410.1, 415-416, 405, 900, 476, 63,
417/477.1, 477.3; 60/408, 412; 184/26-37;
415/140-147; 123/495, 509;
137/565.34; D24/108, 111, 164, 169;
604/135

FIG. 7 is a bottom view of the roller pump of this disclosure.

FIG. 8 is an oblique perspective view of another roller pump
embodiment of this disclosure.

CPC F02M 37/04; F02M 37/14; F04B 43/12
See application file for complete search history.

FIG. 9 is a rear view of the roller pump of the embodiment
of FIG. 8.

FIG. 10 is a front view of the roller pump of the embodiment
of FIG. 8.

FIG. 11 is a side view of the right-hand side of the roller
pump of the embodiment of FIG. 8.

FIG. 12 is a side view of the left-hand side of the roller pump
of the embodiment of FIG. 8.

FIG. 13 is a plan view of the roller pump of the embodiment
of FIG. 8; and,

FIG. 14 is a bottom view of the roller pump of the embodi-
ment of FIG. 8.

The broken line showing of edges and a fitting is included
for the purpose of illustrating environmental matter and
forms no part of the claimed design.

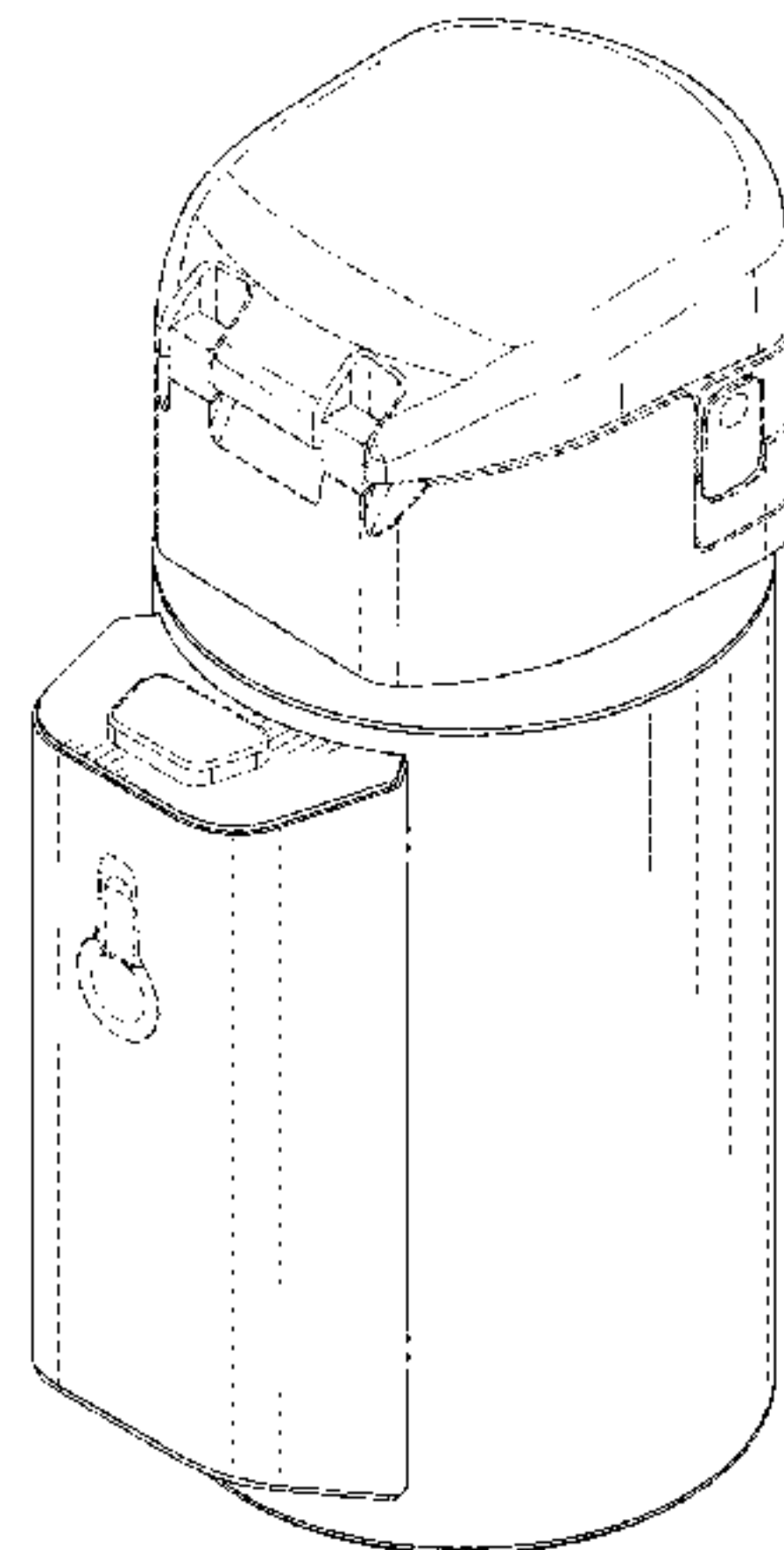
(56) **References Cited**

U.S. PATENT DOCUMENTS

2,899,905 A * 8/1959 Becher F04B 43/0072
251/6
D254,806 S * 4/1980 Kitai D10/85

(Continued)

1 Claim, 14 Drawing Sheets



(56)

References Cited

U.S. PATENT DOCUMENTS

D285,347	S *	8/1986	Nelson	D24/111
D328,952	S *	8/1992	Arioka	D10/46
5,538,405	A *	7/1996	Patno	A61M 1/3693 417/326
5,637,095	A *	6/1997	Nason	A61M 5/14244 604/135
7,001,153	B2 *	2/2006	McDowell	F04B 43/1253 417/477.1
7,252,485	B2 *	8/2007	Ito	F04B 43/1253 417/477.3
D619,241	S *	7/2010	Olsson	D24/107
D735,319	S *	7/2015	Sabin	D24/111
D735,865	S *	8/2015	Nishimura	D24/164
D739,026	S *	9/2015	Anger	D24/164
2014/0127063	A1	5/2014	Petersen et al.		

OTHER PUBLICATIONS

MetaVision Perfusion™, A point-of-care clinical information system for perfusionists, Maquet Getinge Group 2015 <<http://www.maquet.com/int/products/metavision-perfusion/>>.
Heart-Lung Machine HL20 Brochure, Maquet Cardiopulmonary AG 2012.

“Heart Lung Machine Fundraising.” Aug. 18, 2015. Web. Nov. 6, 2015. <<http://www.heartcentreforchildren.com.au/heart-lung-machine-fundraising.html>>.
Heart-lung machines. surgeryencyclopedia.com. Advameg, Inc. 2015. Web. Nov. 5, 2015. <<http://www.surgeryencyclopedia.com/Fi-La/Heart-Lung-Machines.html>>.
Machine coeur-poumon HL30. Feb. 21, 2013. Web. Nov. 18, 2015. <<file:///C:/Users/u2002449/Downloads/mes-130225-MachineCoeurPoumonHL30-Maquet.pdf>>.
Terumo Advanced Perfusion System 1. Terumo Cardiovascular Group. Nov. 2014. Web. Nov. 18, 2015. <http://www.terumo-cvs.com/doc/848594_Terumo-System1_Brochure%20_Nov2013_LowRes_Pgs.pdf>.
Product Catalog Jostra HL 20. Maquet Cardiopulmonary AG. Web. Nov. 18, 2015. <http://glavm.ru/upload/information_system_18/2/8/7/item_287/information_items_property_343.pdf>.
Sorin article, <http://www.sorin.com/products/cardiac-surgery/perfusion/hlm/s5>, printed on Jun. 13, 2015, 11 pages.
Hessel, Eugene A., “Circuitry and Cannulation Techniques”, Chapter 5, Cardiopulmonary Bypass: Principles and Practices, edited by Glenn P. Gravlee, 3rd edition, 2008, pp. 63-65.
Sorin | S5 System Operating Instructions, Sorin Group Deutschland GmbH, 2006, 2007.

* cited by examiner

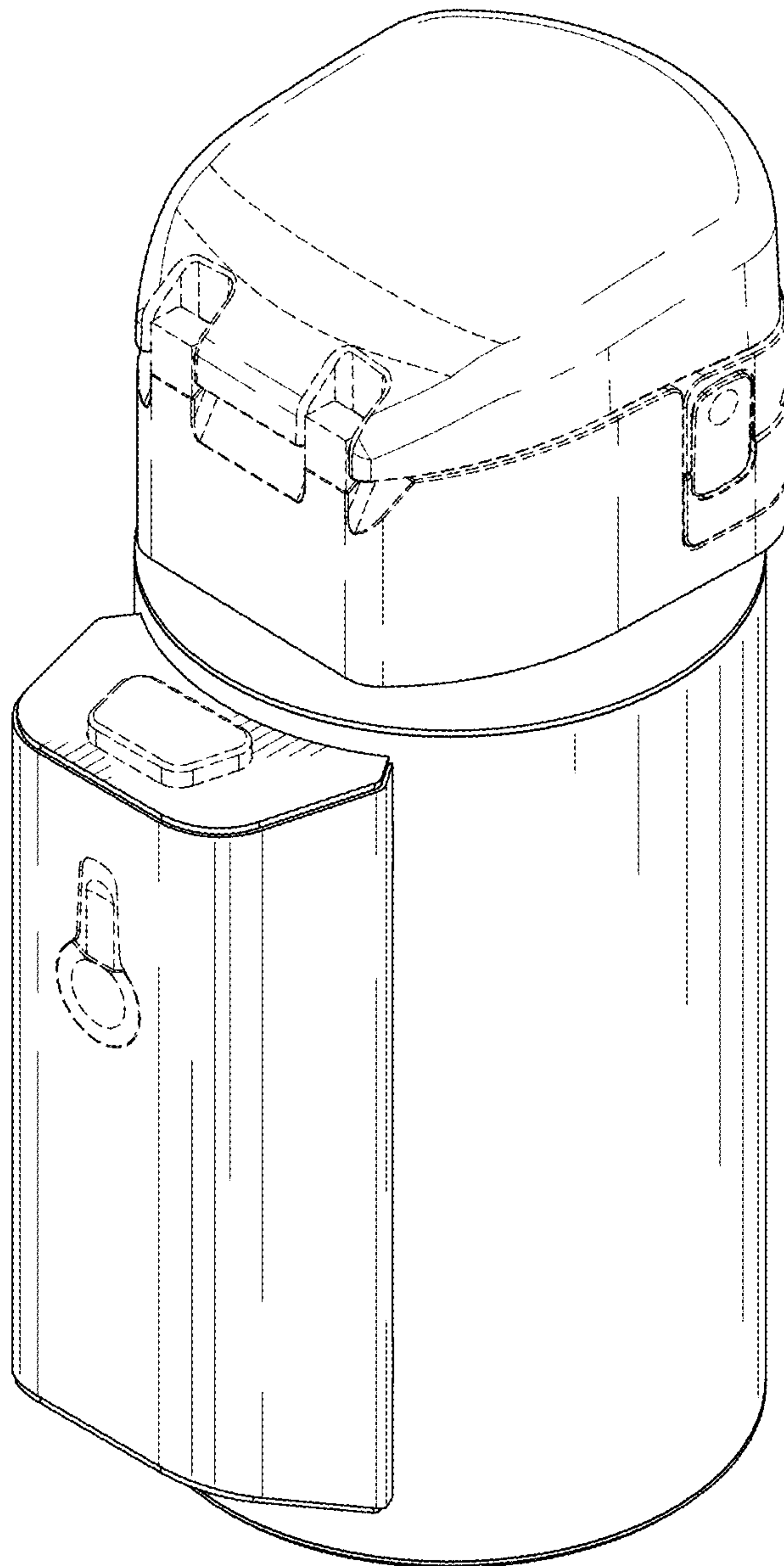


FIG. 1

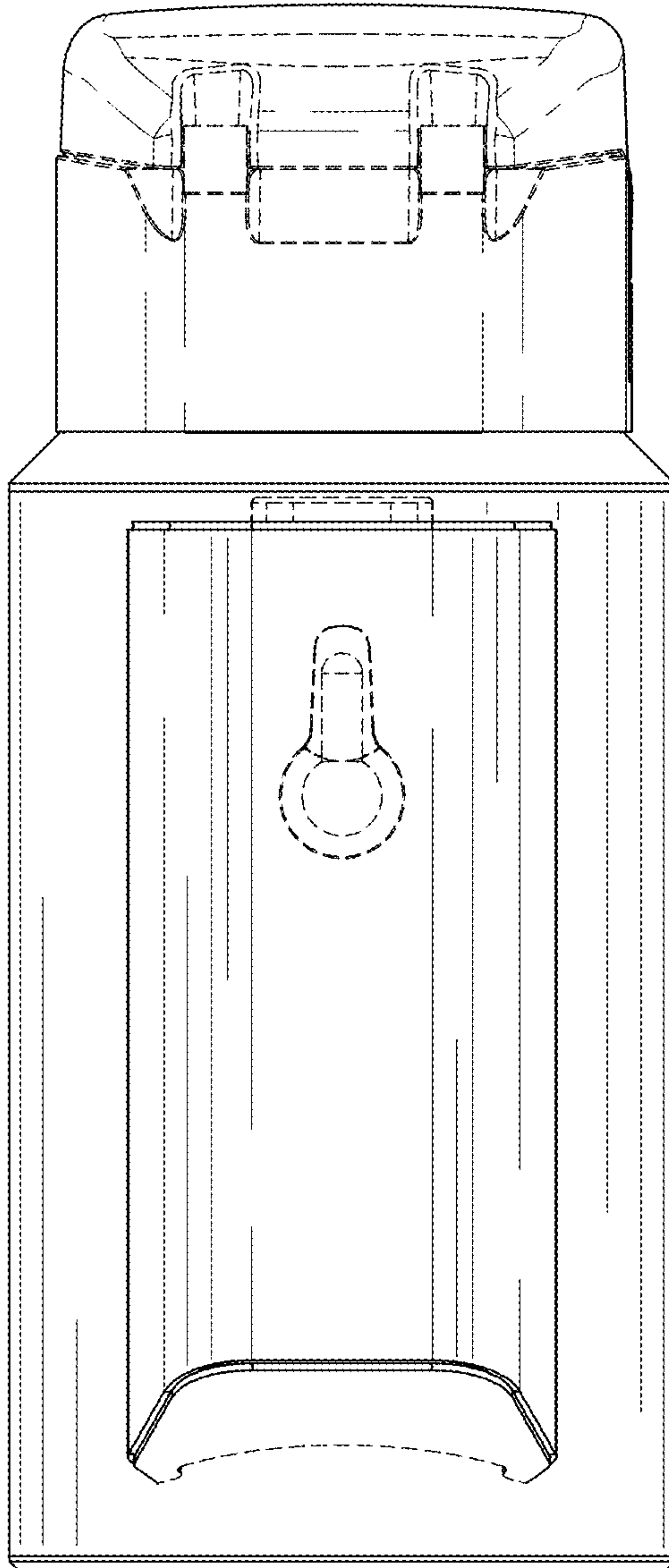


FIG.2

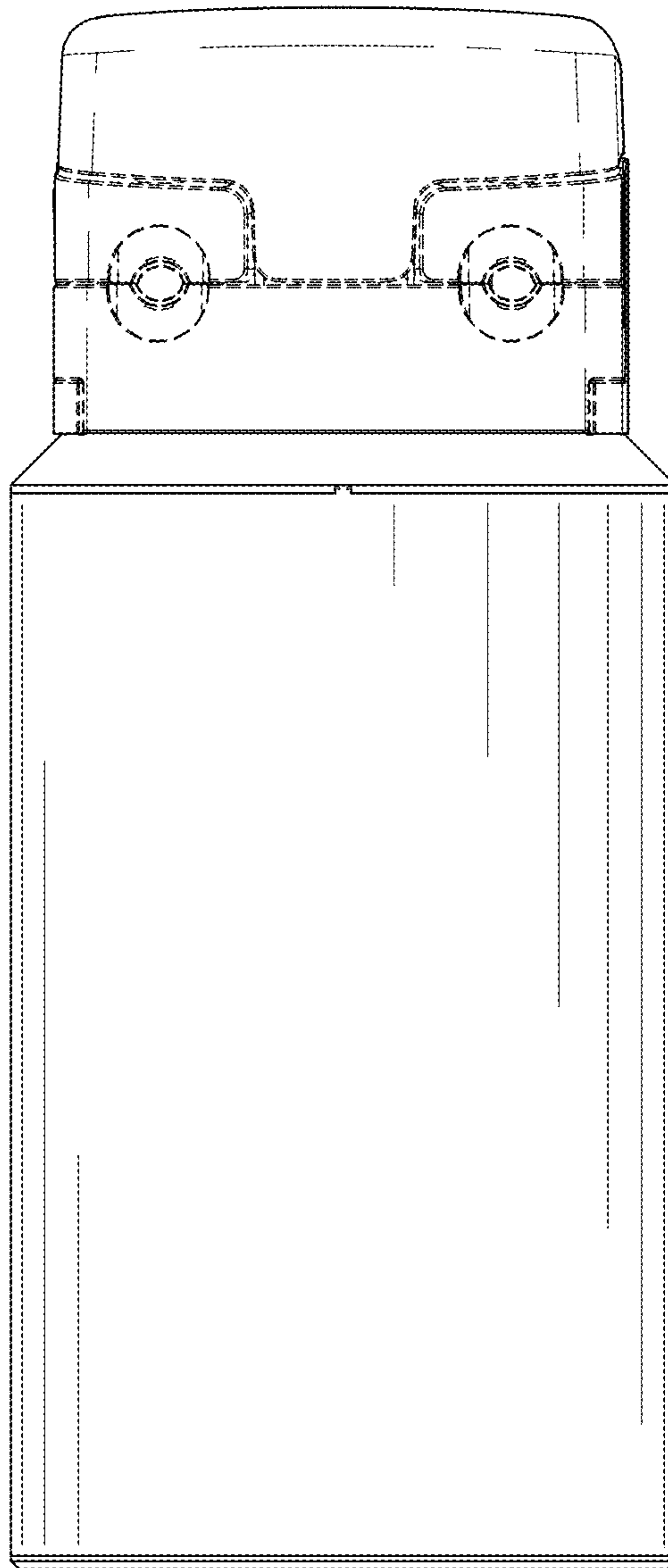


FIG.3

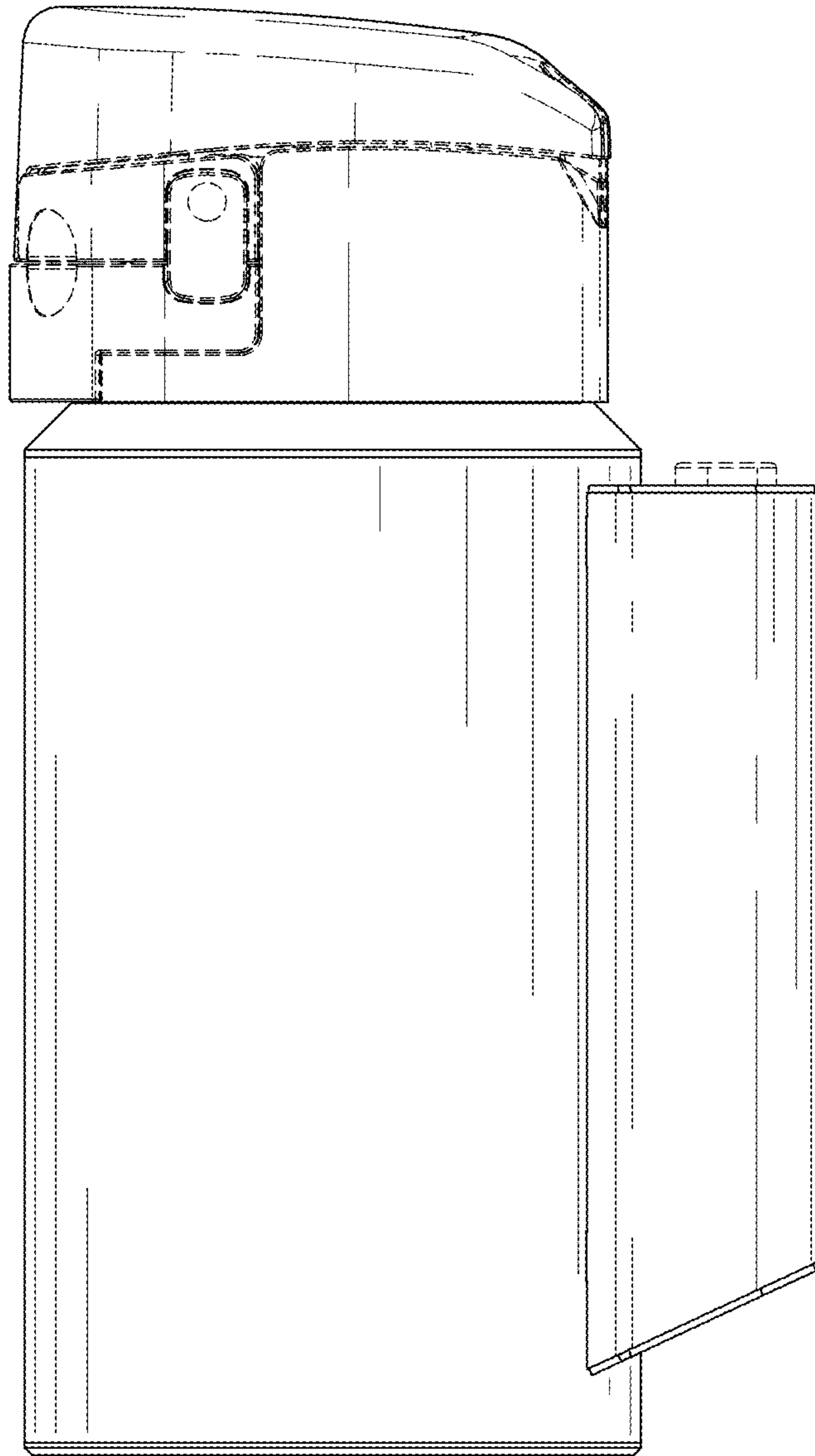


FIG.4

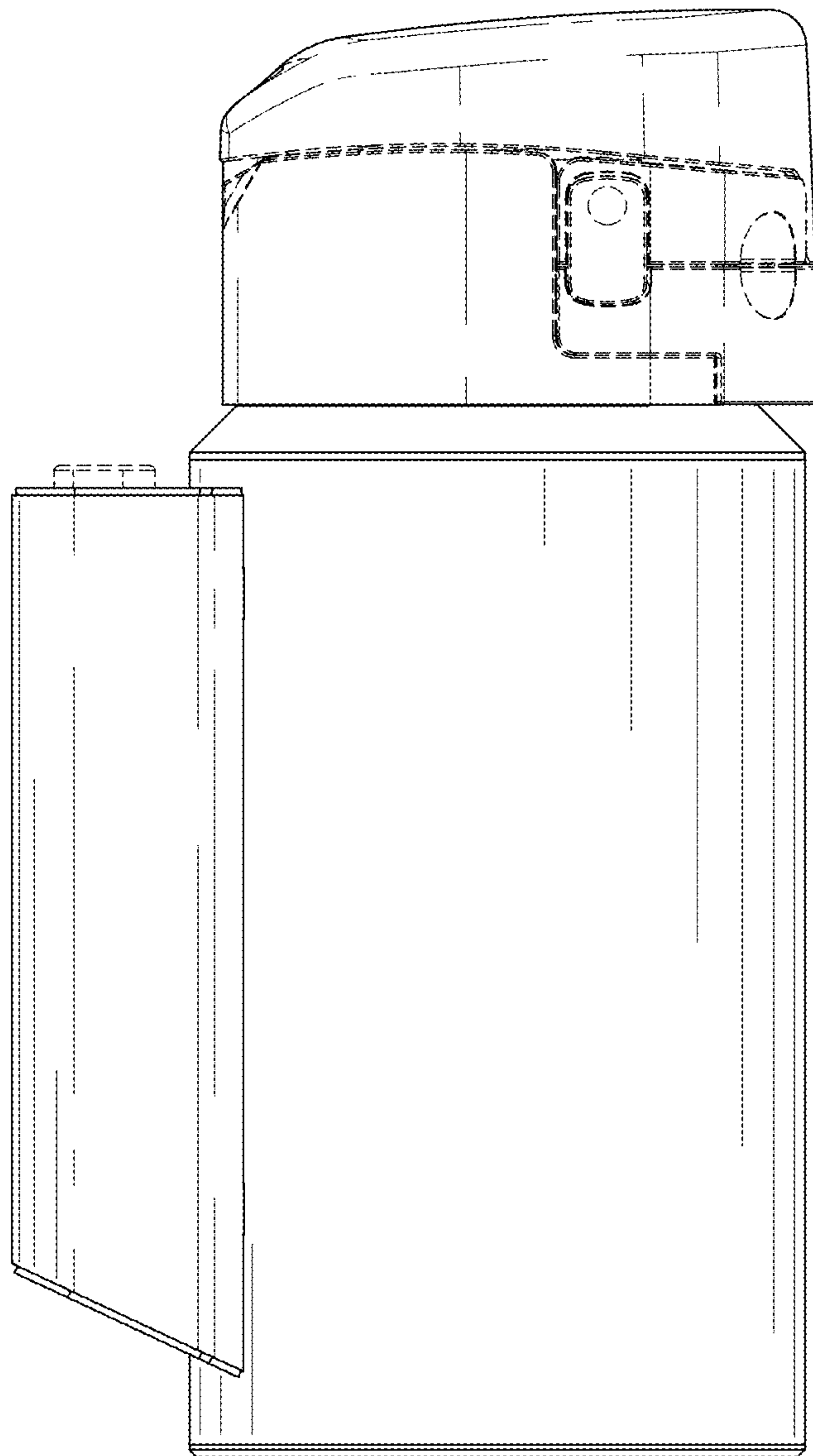


FIG.5

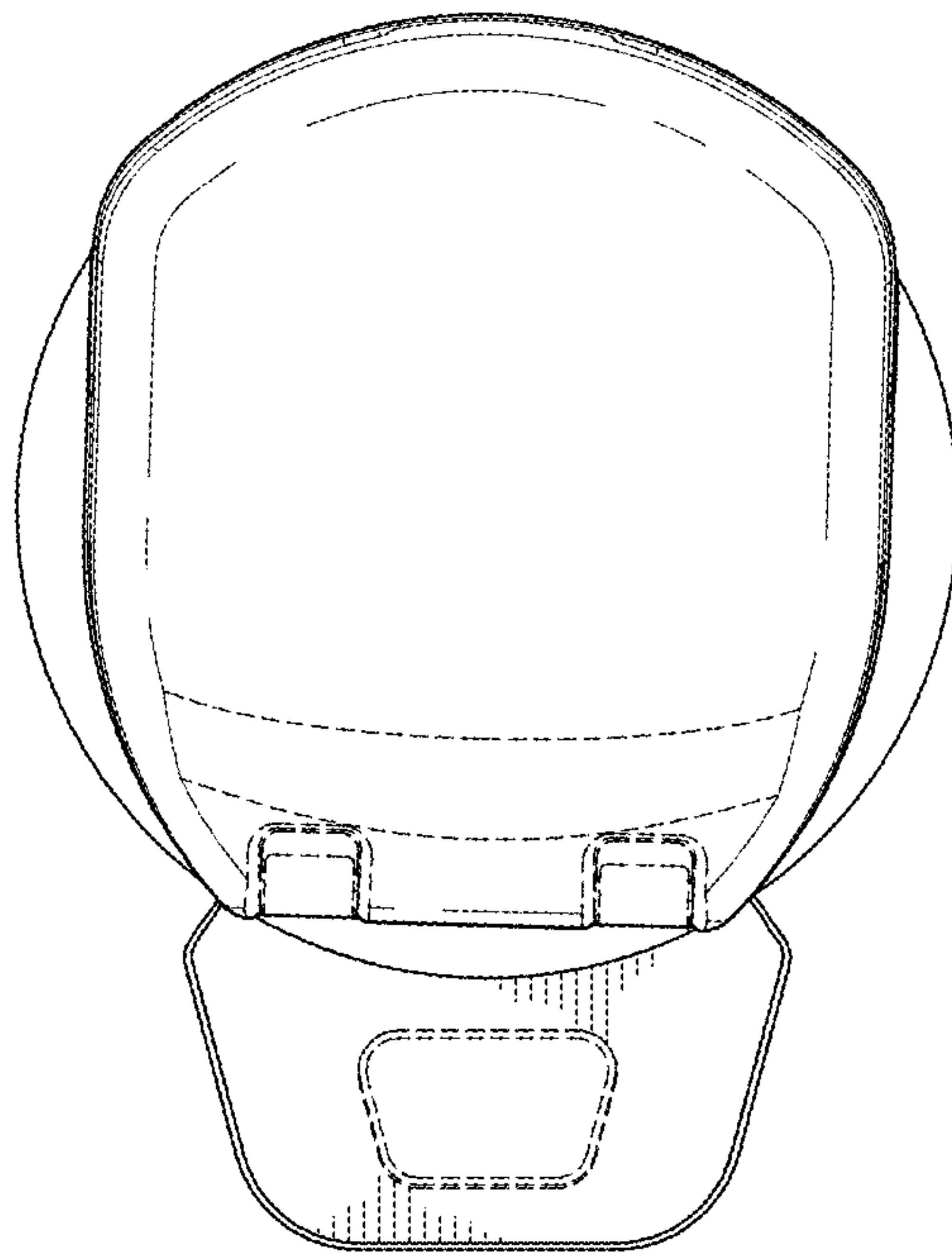


FIG. 6

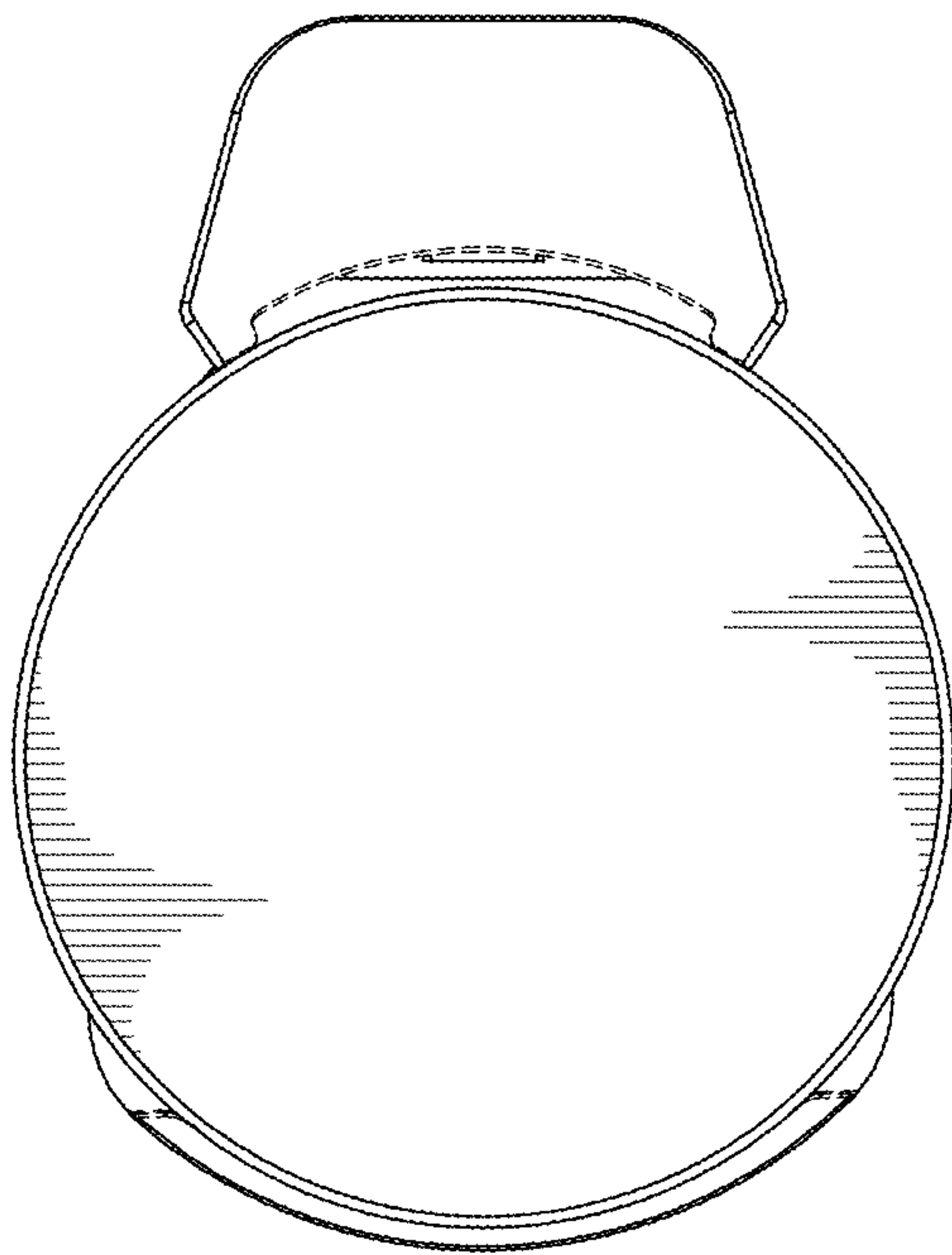


FIG. 7

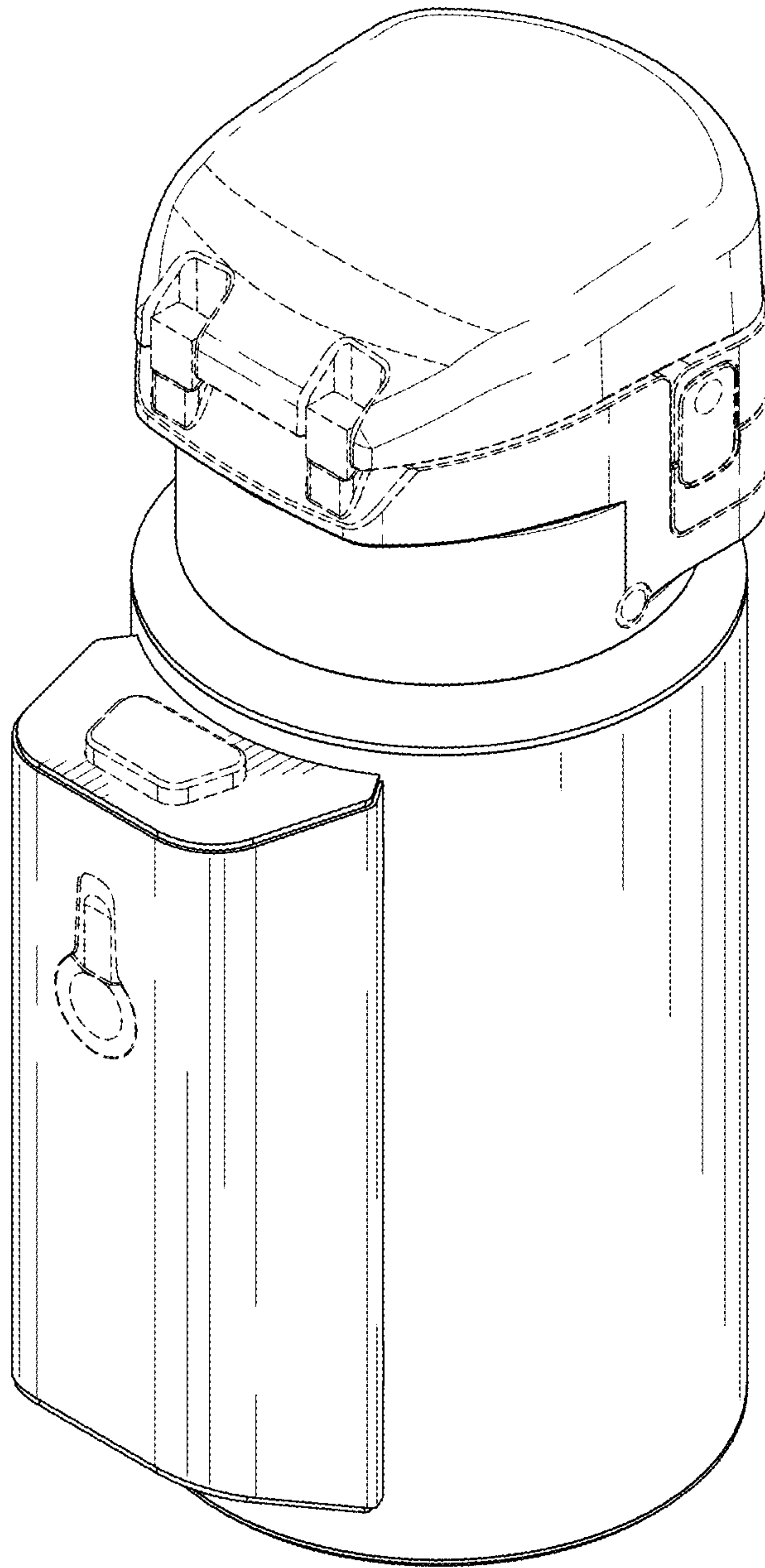


FIG.8

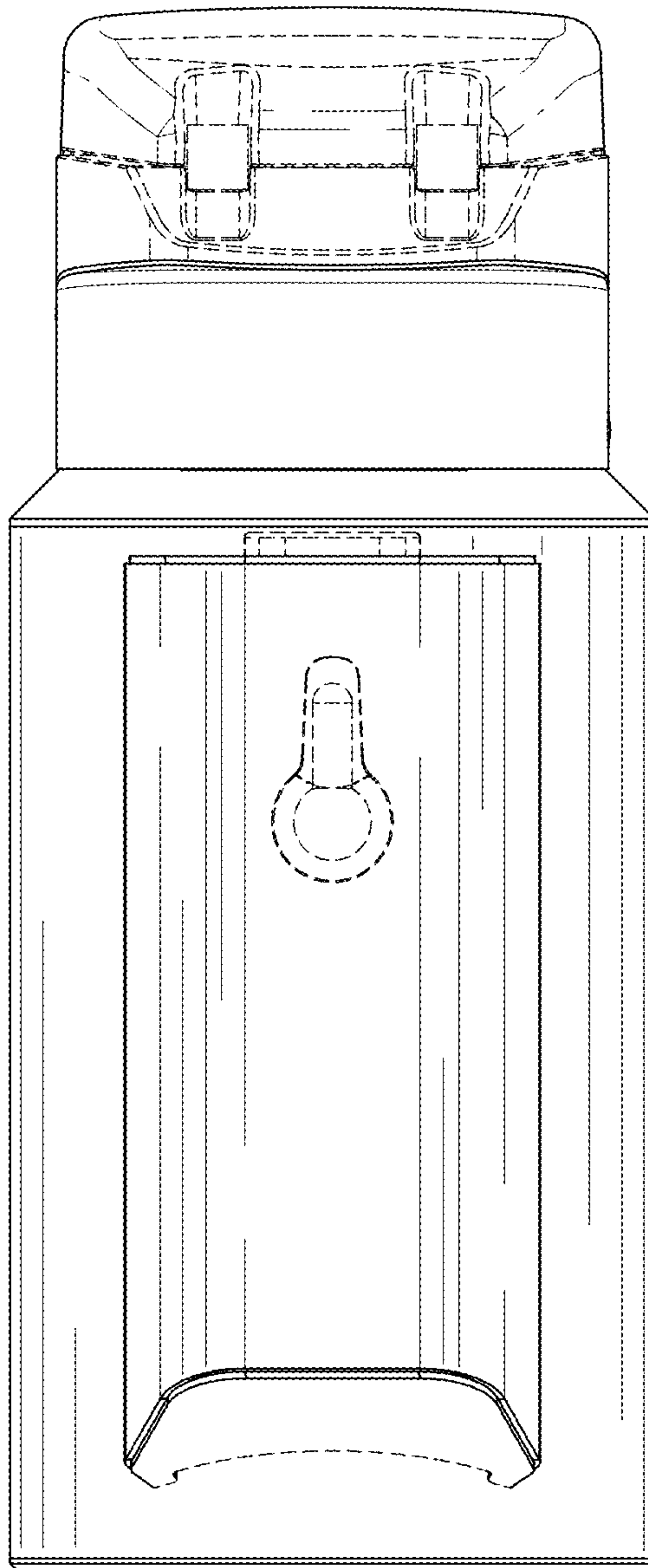


FIG.9

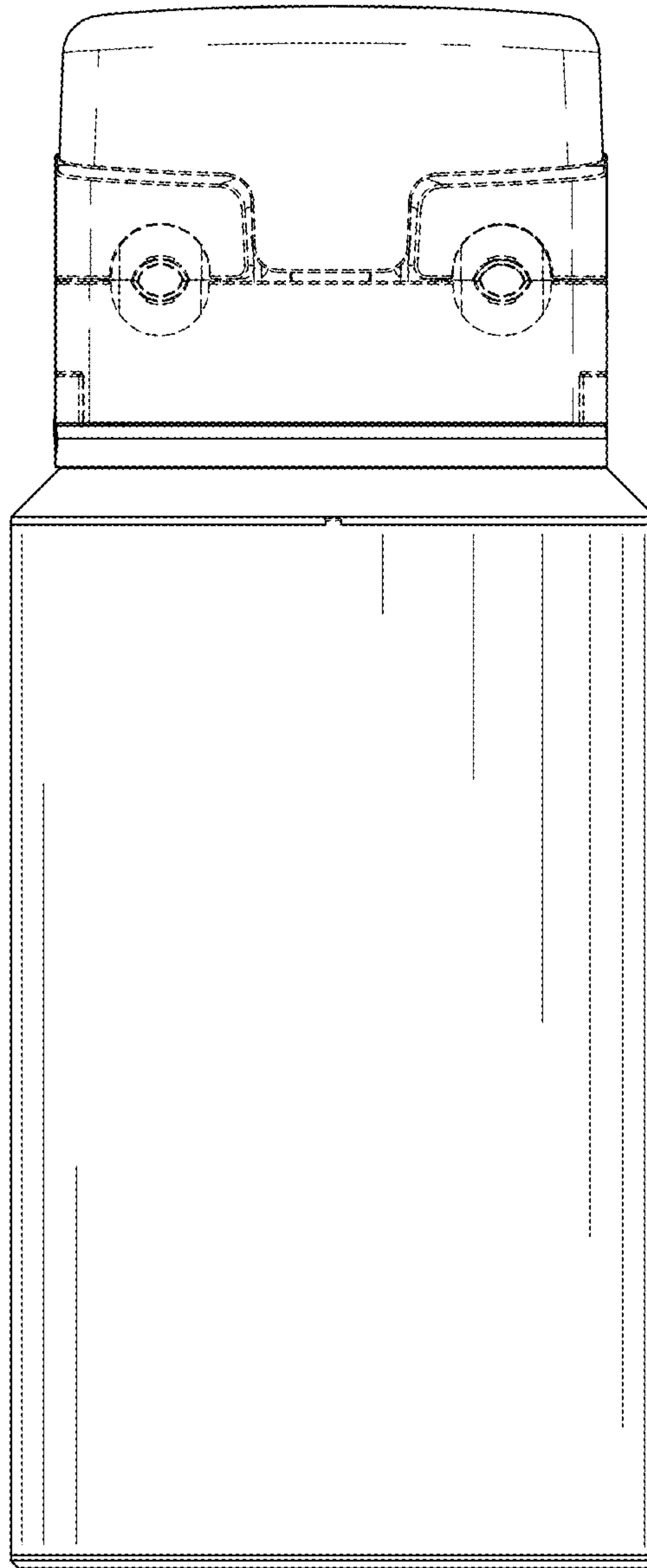


FIG. 10

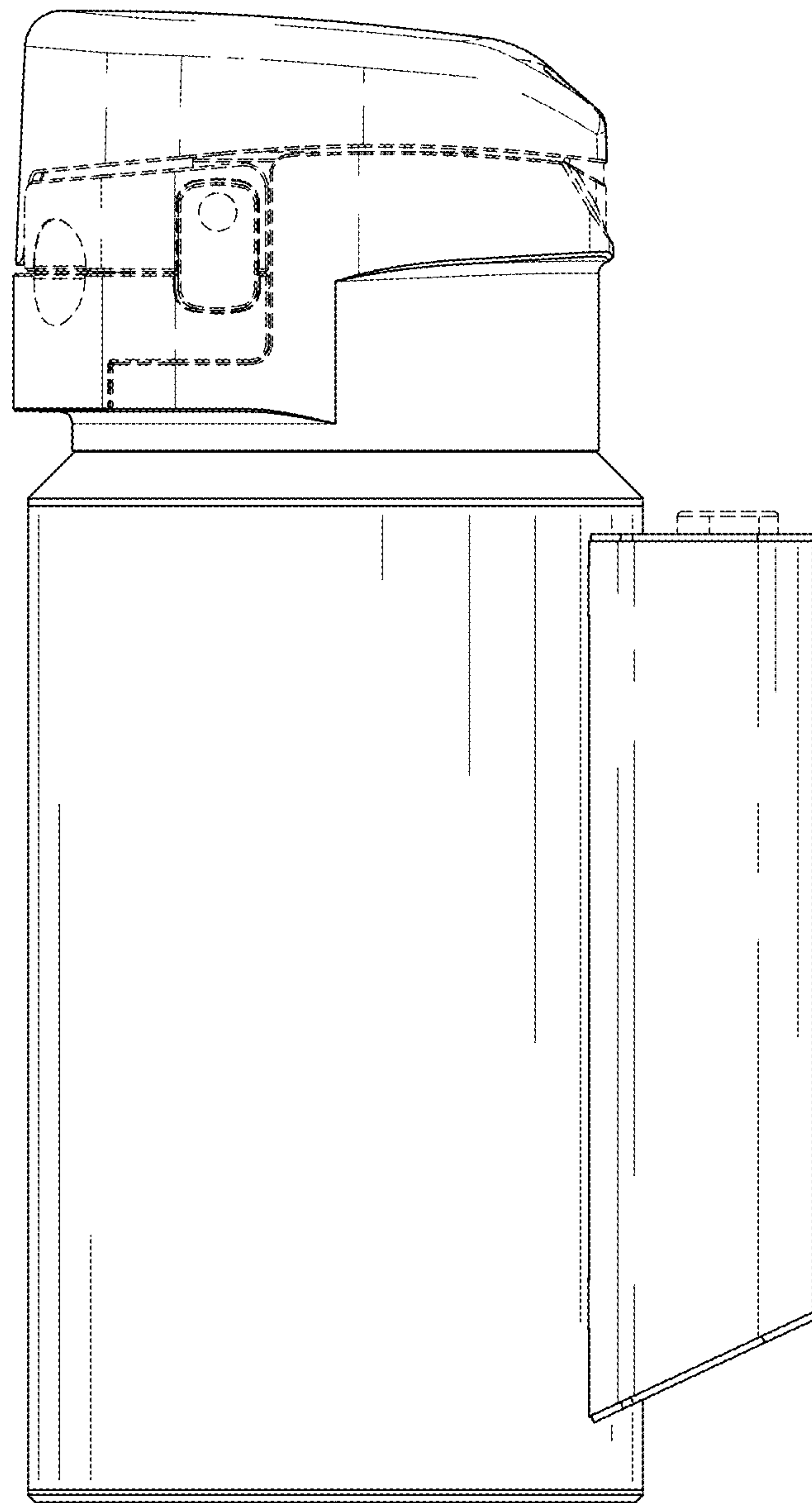


FIG. 11

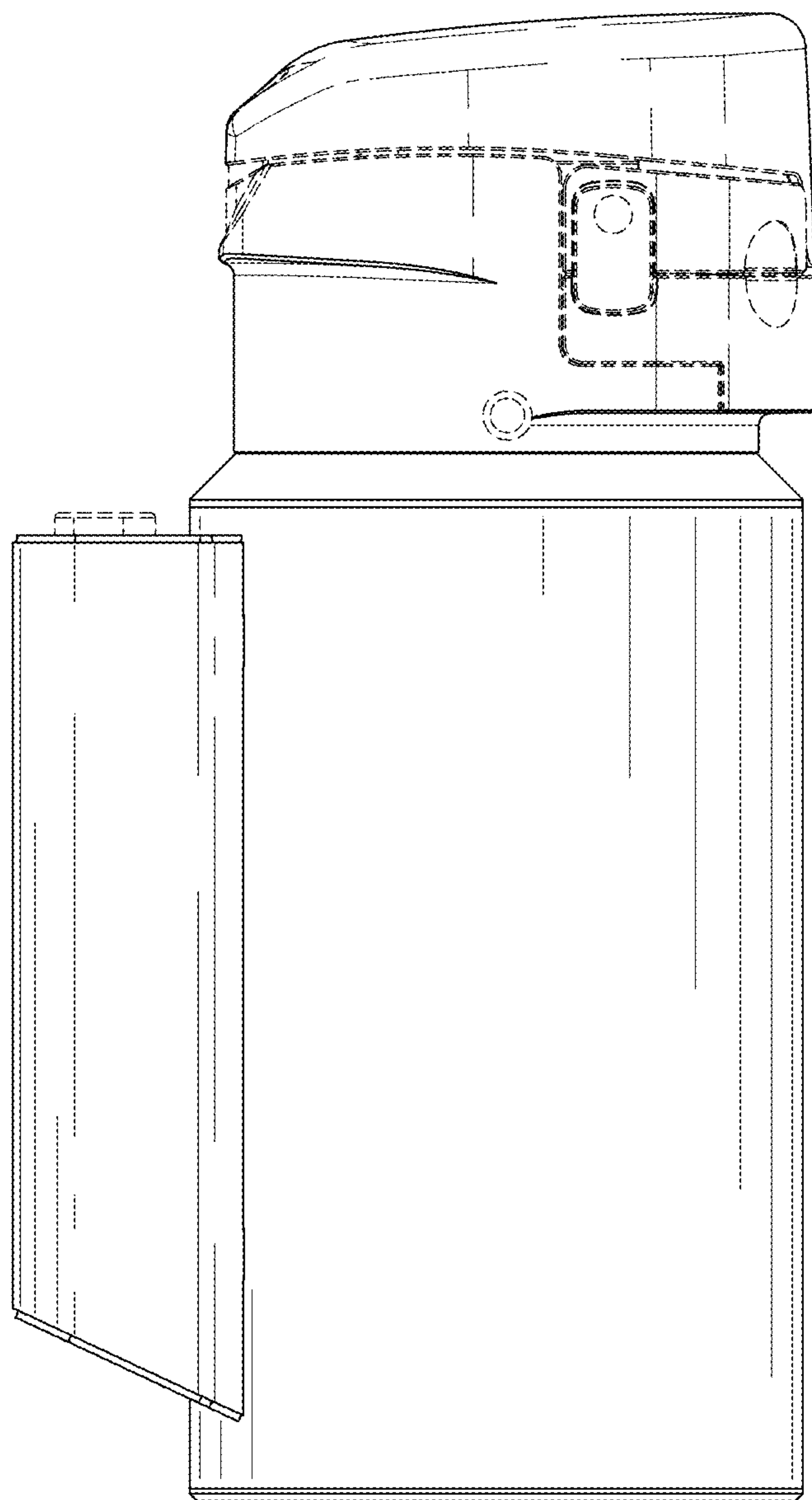


FIG. 12

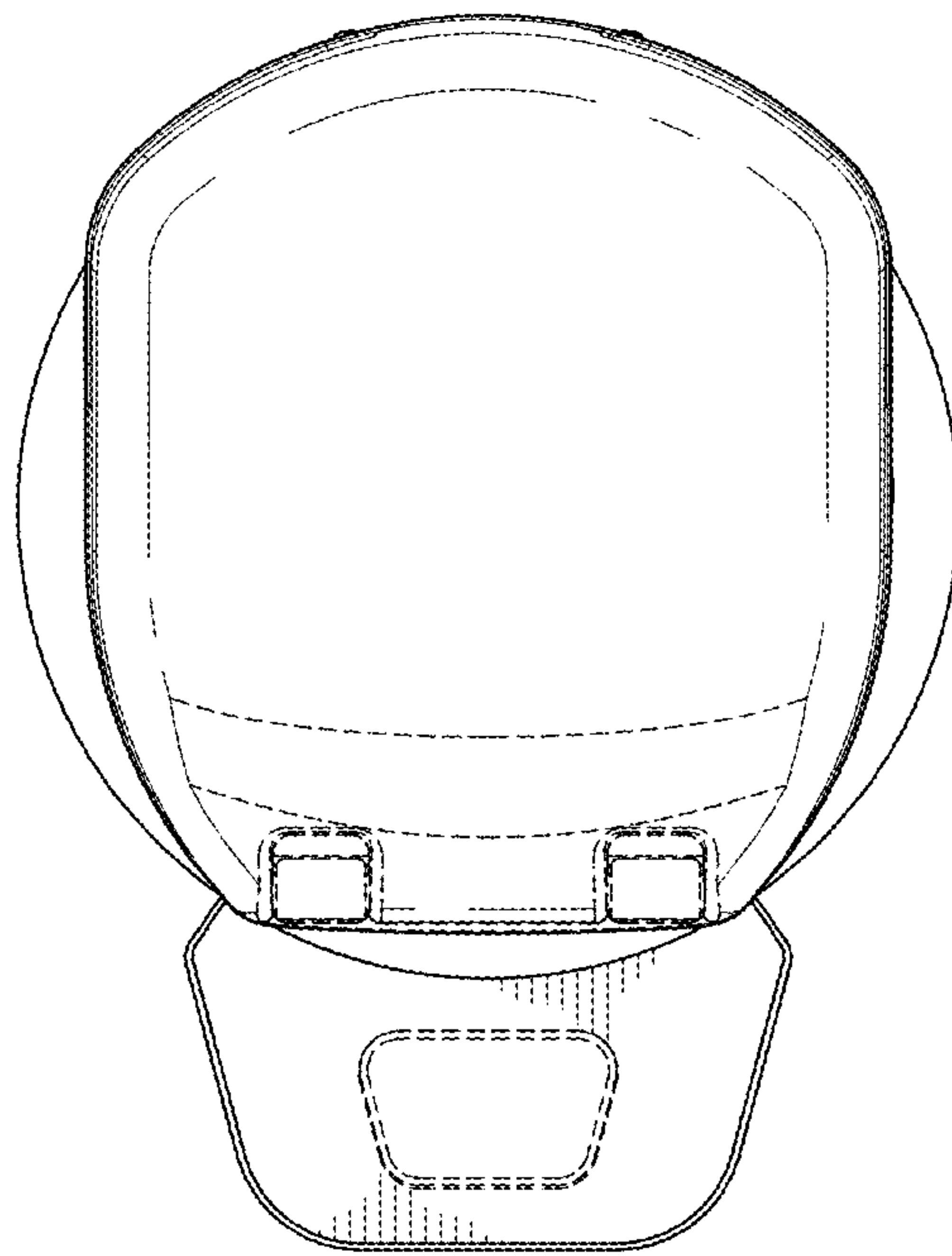


FIG. 13

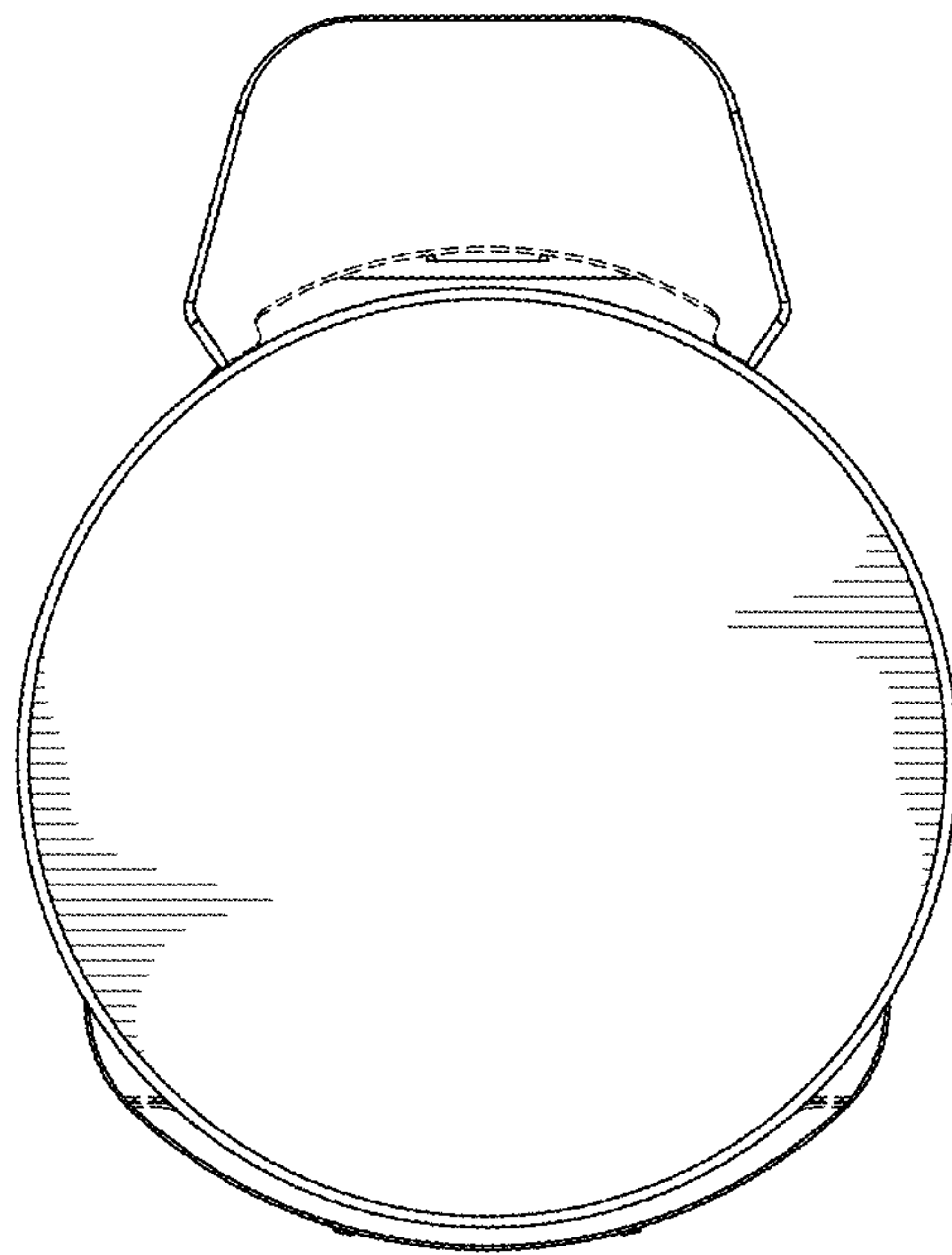


FIG. 14