



US00D767113S

(12) **United States Design Patent** (10) **Patent No.:** **US D767,113 S**
Turner (45) **Date of Patent:** **** Sep. 20, 2016**

(54) **AIRWAY DEVICE**
(71) Applicant: **Intersurgical AG**, Vaduz (LI)
(72) Inventor: **Matthew Turner**, Wokingham (GB)
(73) Assignee: **Intersurgical AG**, Vaduz (LI)
(**) Term: **14 Years**

(21) Appl. No.: **29/501,993**
(22) Filed: **Sep. 10, 2014**

(30) **Foreign Application Priority Data**

Mar. 12, 2014 (EP) 002423483

(51) **LOC (10) Cl.** **29-02**

(52) **U.S. Cl.**
USPC **D24/110; D24/110.5**

(58) **Field of Classification Search**
USPC D24/107-108, 110-114, 127, 162, 164,
D24/185-186
CPC A61M 16/0493; A61M 16/0488;
A61M 16/0463; A61M 16/04; A61B 1/24;
A61B 90/16
See application file for complete search history.

(56) **References Cited**

U.S. PATENT DOCUMENTS

4,270,531	A *	6/1981	Blachly	A61M 16/0488
					128/207.14
5,590,643	A *	1/1997	Flam	A61M 16/0488
					128/200.26
5,655,519	A	8/1997	Alfery		
6,439,232	B1 *	8/2002	Brain	A61M 16/04
					128/200.26
8,220,461	B1 *	7/2012	Guerra	A61M 16/0463
					128/200.26
8,302,597	B2 *	11/2012	Beely	A61M 16/0488
					128/200.26
2001/0039949	A1 *	11/2001	Loubser	A61B 1/00103
					128/200.26
2005/0279355	A1 *	12/2005	Loubser	A61B 1/00103
					128/200.26

2010/0199998	A1 *	8/2010	Matioc	A61M 16/0488
					128/207.14
2011/0126840	A1 *	6/2011	Ogilvie	A61M 16/0488
					128/207.14
2012/0283513	A1 *	11/2012	Leeflang	A61B 1/00071
					600/114
2015/0157821	A1 *	6/2015	Manecke	A61M 16/0434
					600/114

* cited by examiner

Primary Examiner — Barbara Fox

Assistant Examiner — Lilyana Bekic

(74) *Attorney, Agent, or Firm* — LeClairRyan, a Professional Corporation

(57) **CLAIM**

The ornamental design for an airway device, as shown and described.

DESCRIPTION

FIG. 1 is a front view of an airway device showing the new design.

FIG. 2 is a rear view of the airway device shown in FIG. 1.

FIG. 3 is a top view of the airway device shown in FIG. 1.

FIG. 4 is a bottom view of the airway device shown in FIG. 1.

FIG. 5 is a left side view of the airway device shown in FIG. 1.

FIG. 6 is a right side view of the airway device shown in FIG. 1.

FIG. 7 is a bottom, right perspective view of the airway device shown in FIG. 1.

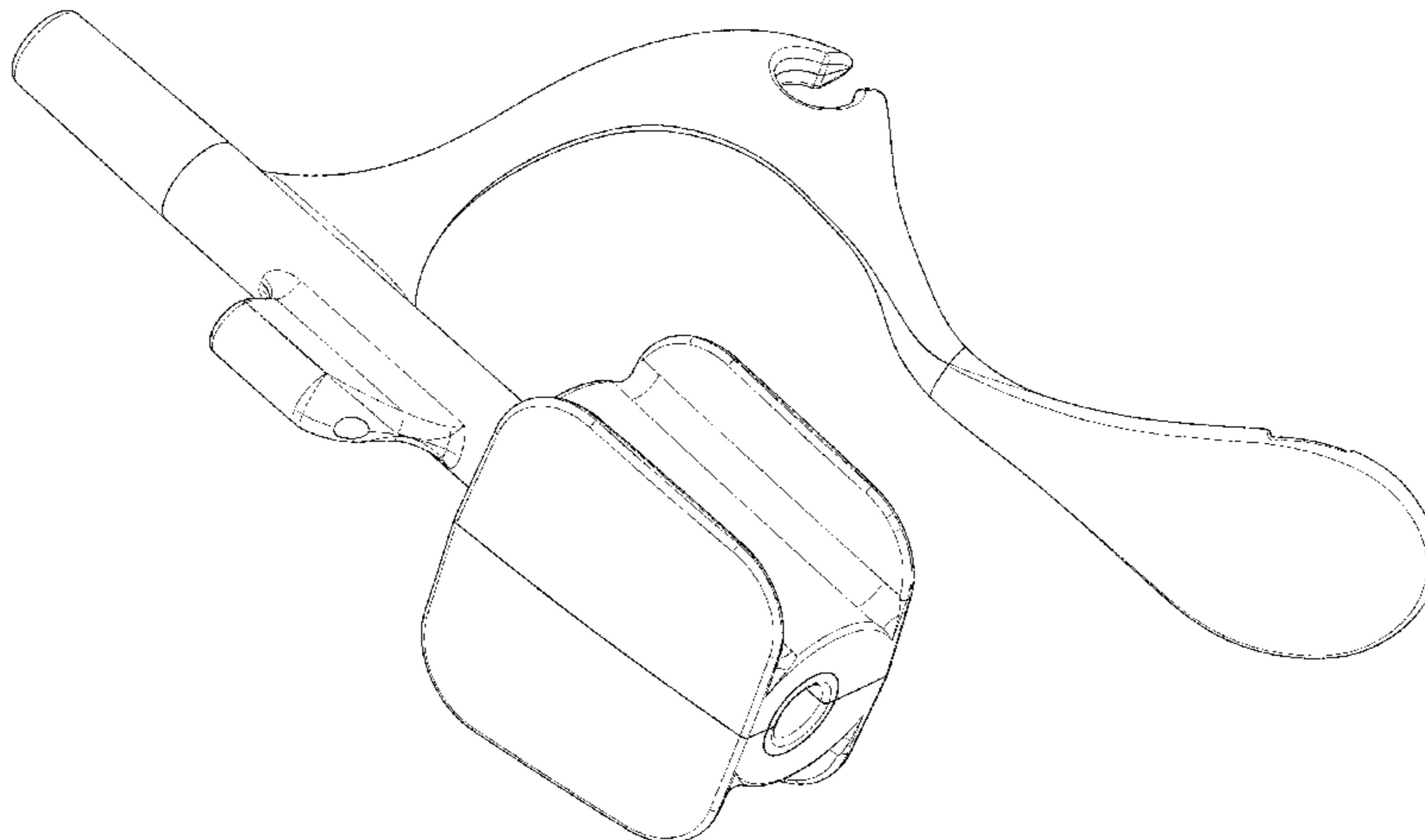
FIG. 8 is a top, left perspective view of the airway device shown in FIG. 1.

FIG. 9 is a bottom, rear perspective view of the airway device shown in FIG. 1; and,

FIG. 10 is a top, front perspective view of the airway device shown in FIG. 1.

The broken lines in the drawings illustrate portions of the airway device that form no part of the claimed design.

1 Claim, 10 Drawing Sheets



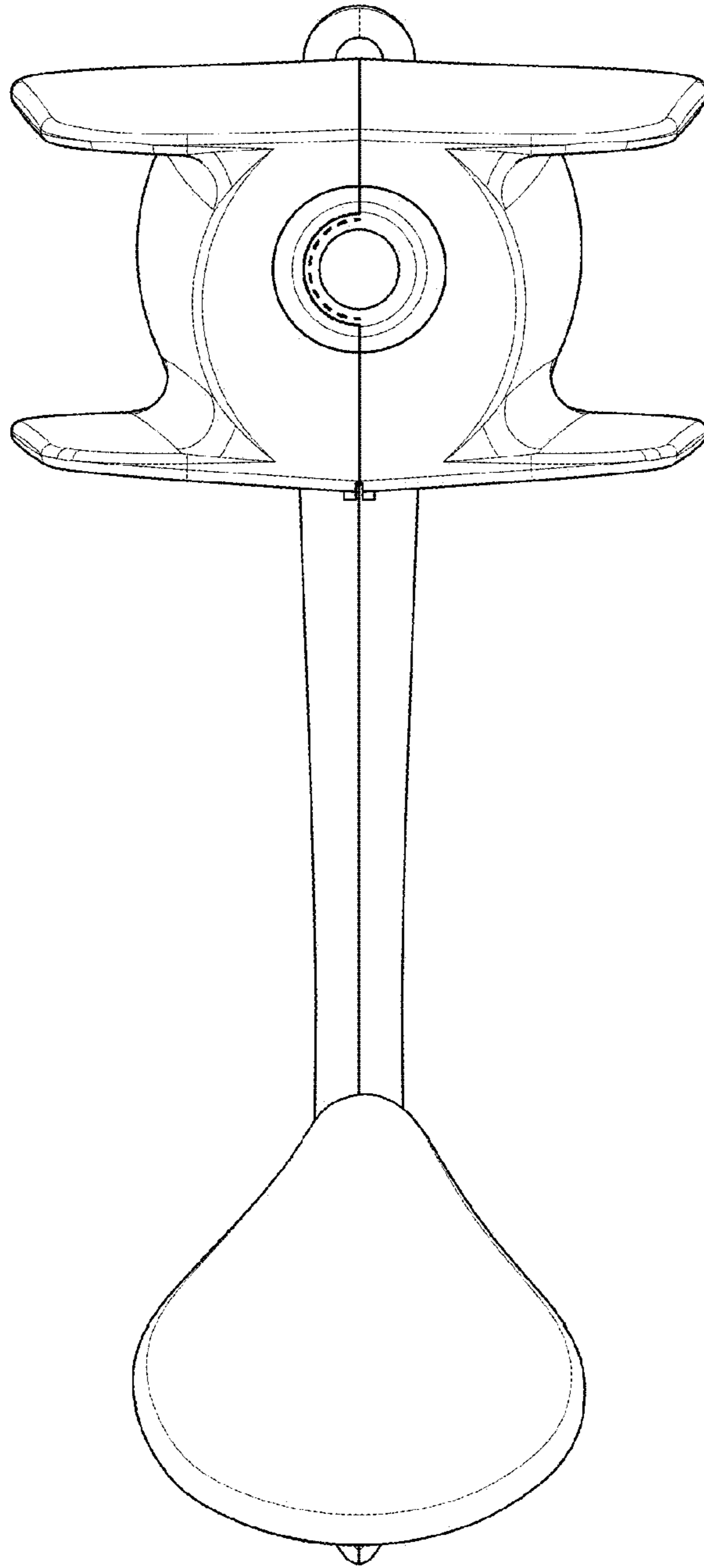


FIG. 1

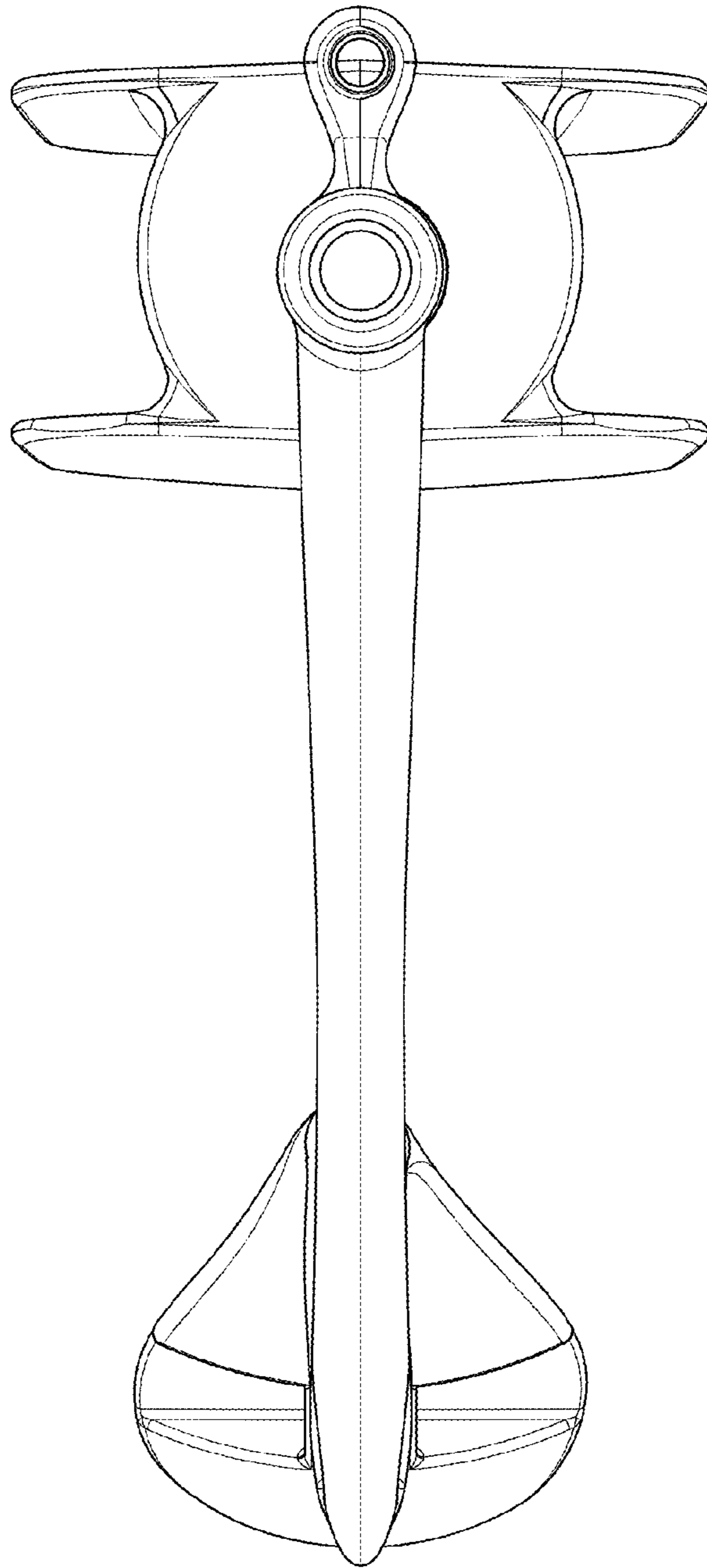


FIG. 2

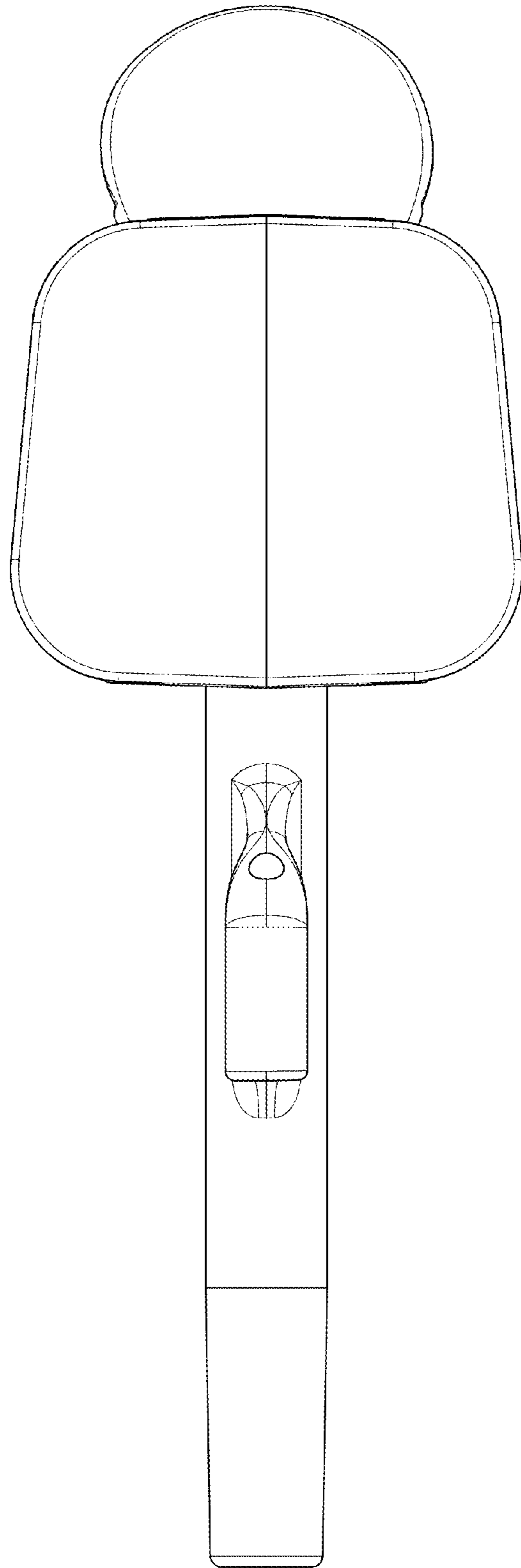


FIG. 3

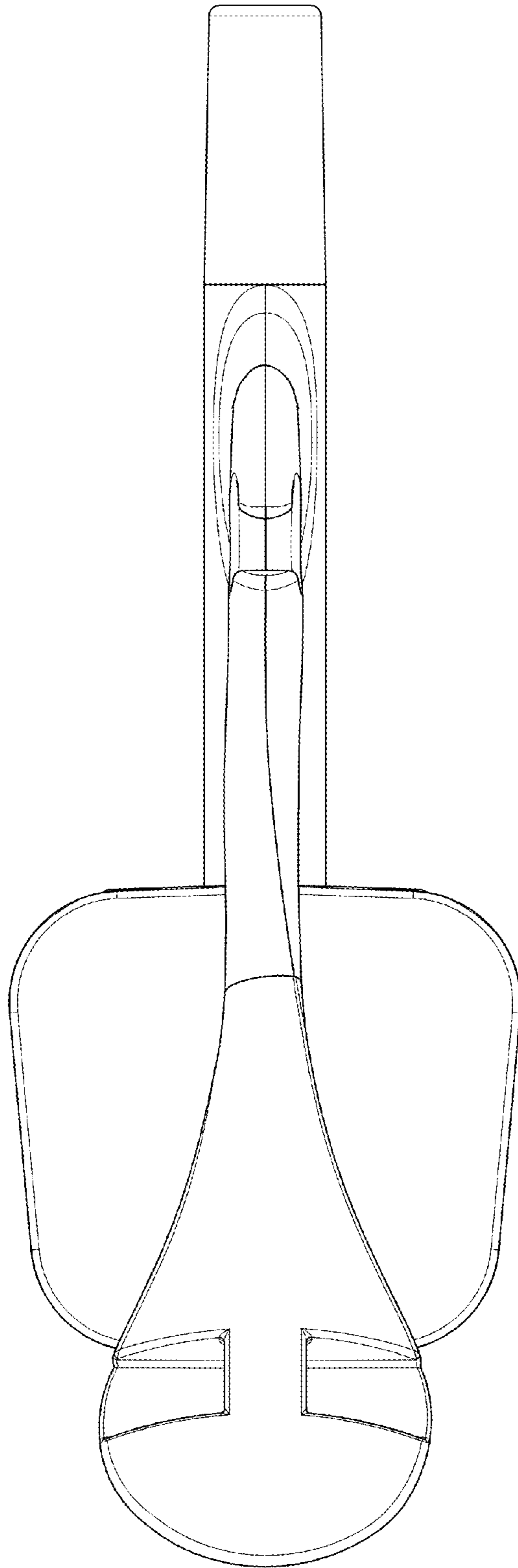


FIG. 4

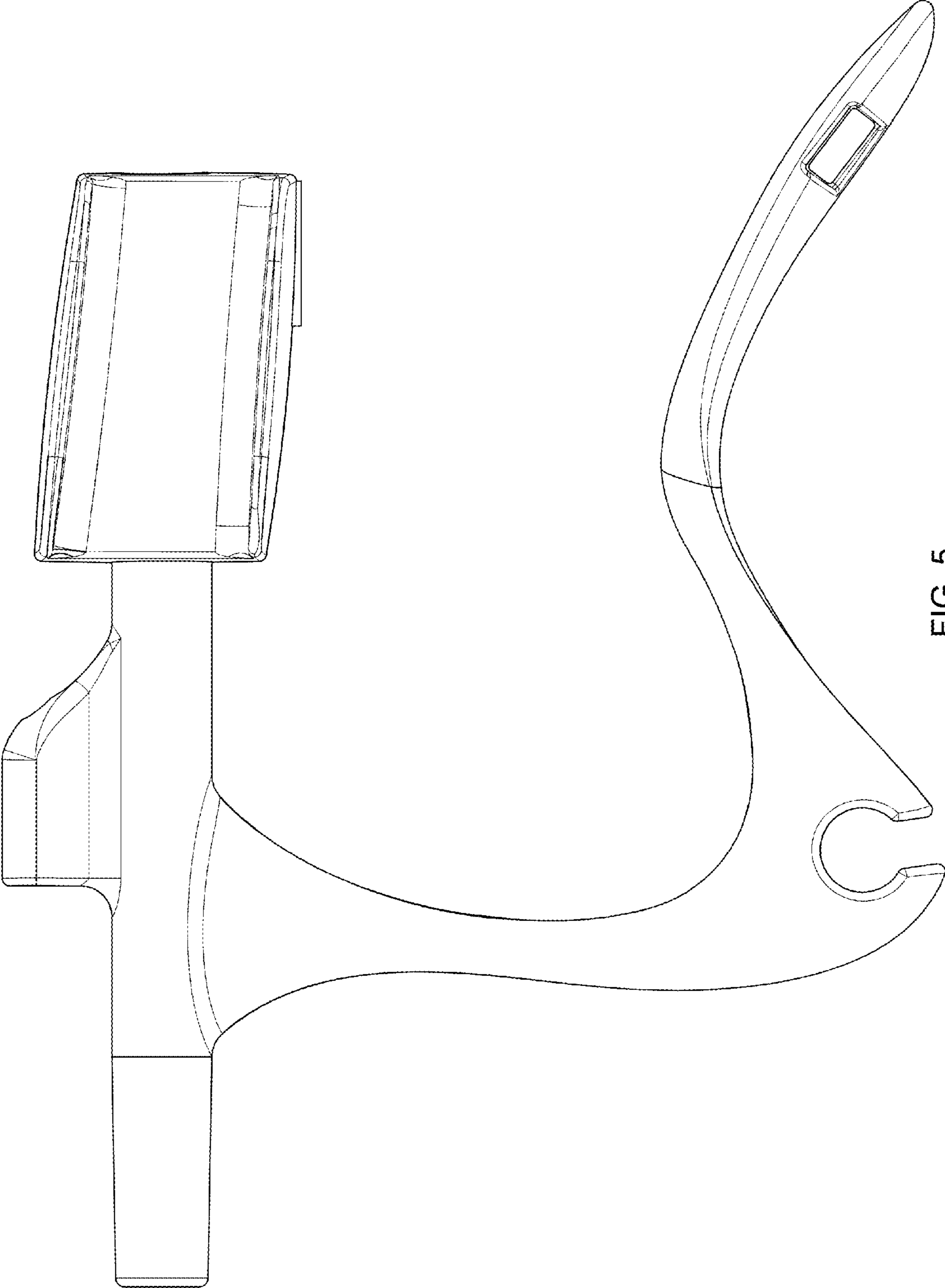


FIG. 5

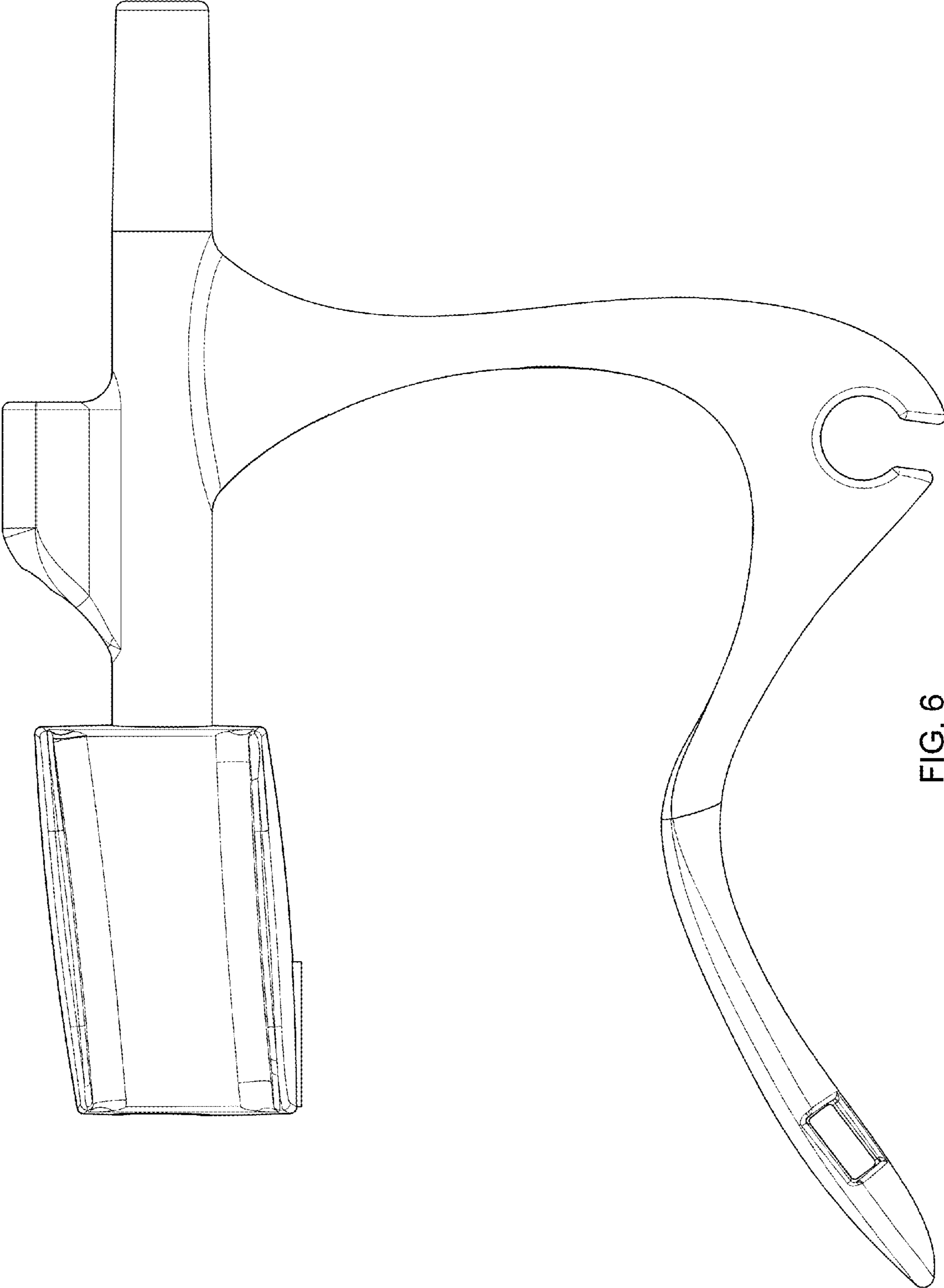


FIG. 6

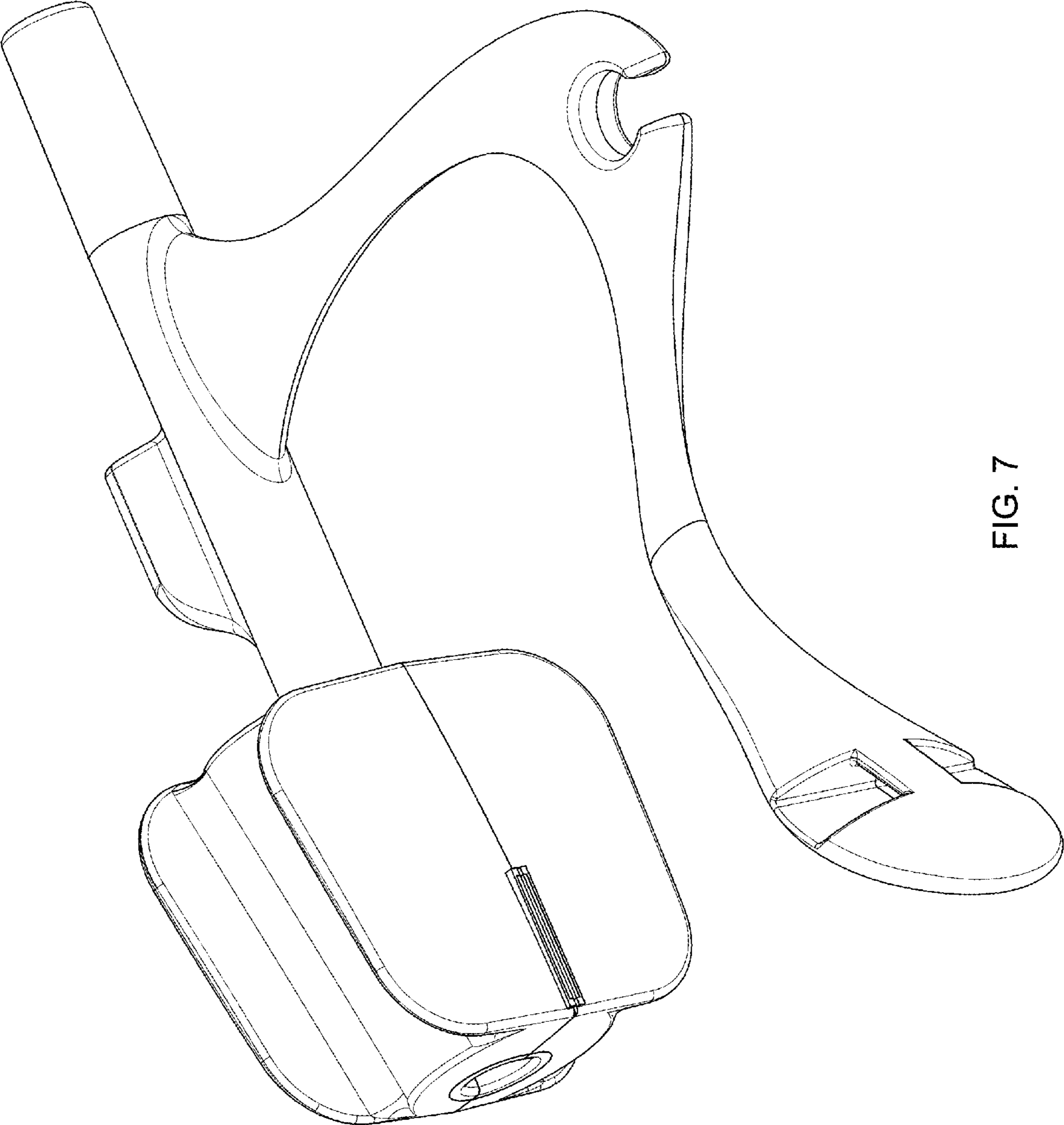


FIG. 7

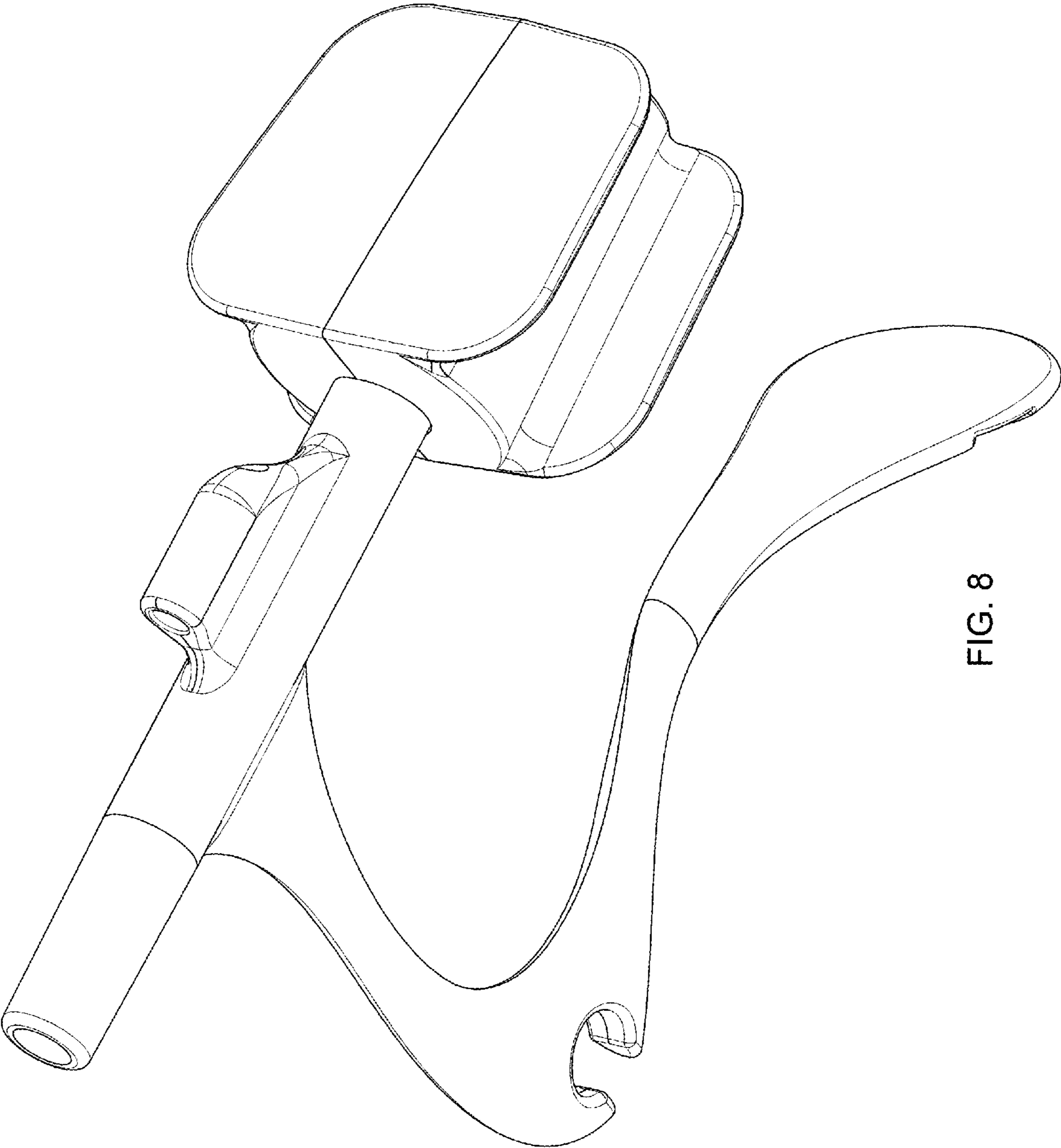


FIG. 8

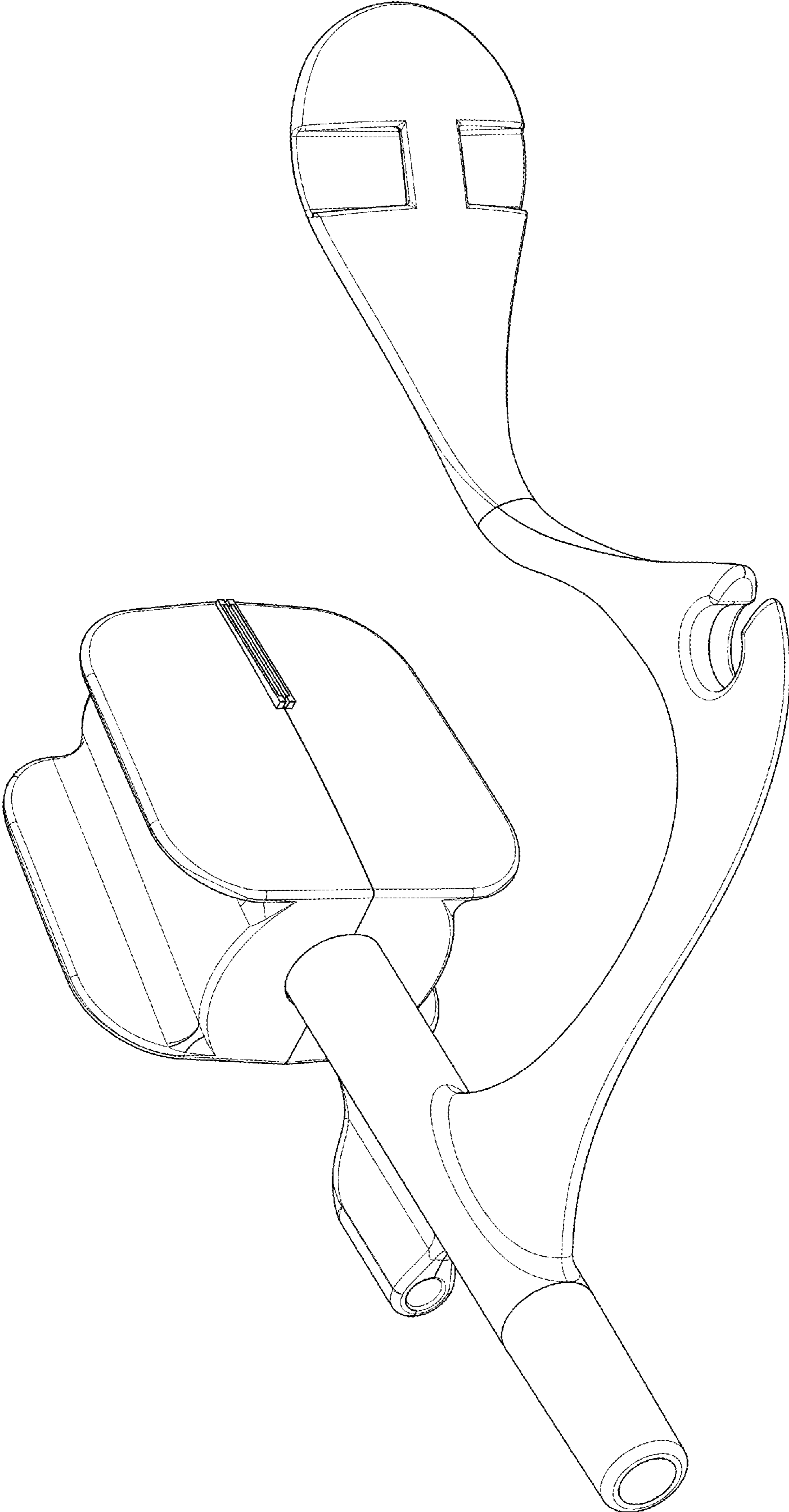


FIG. 9

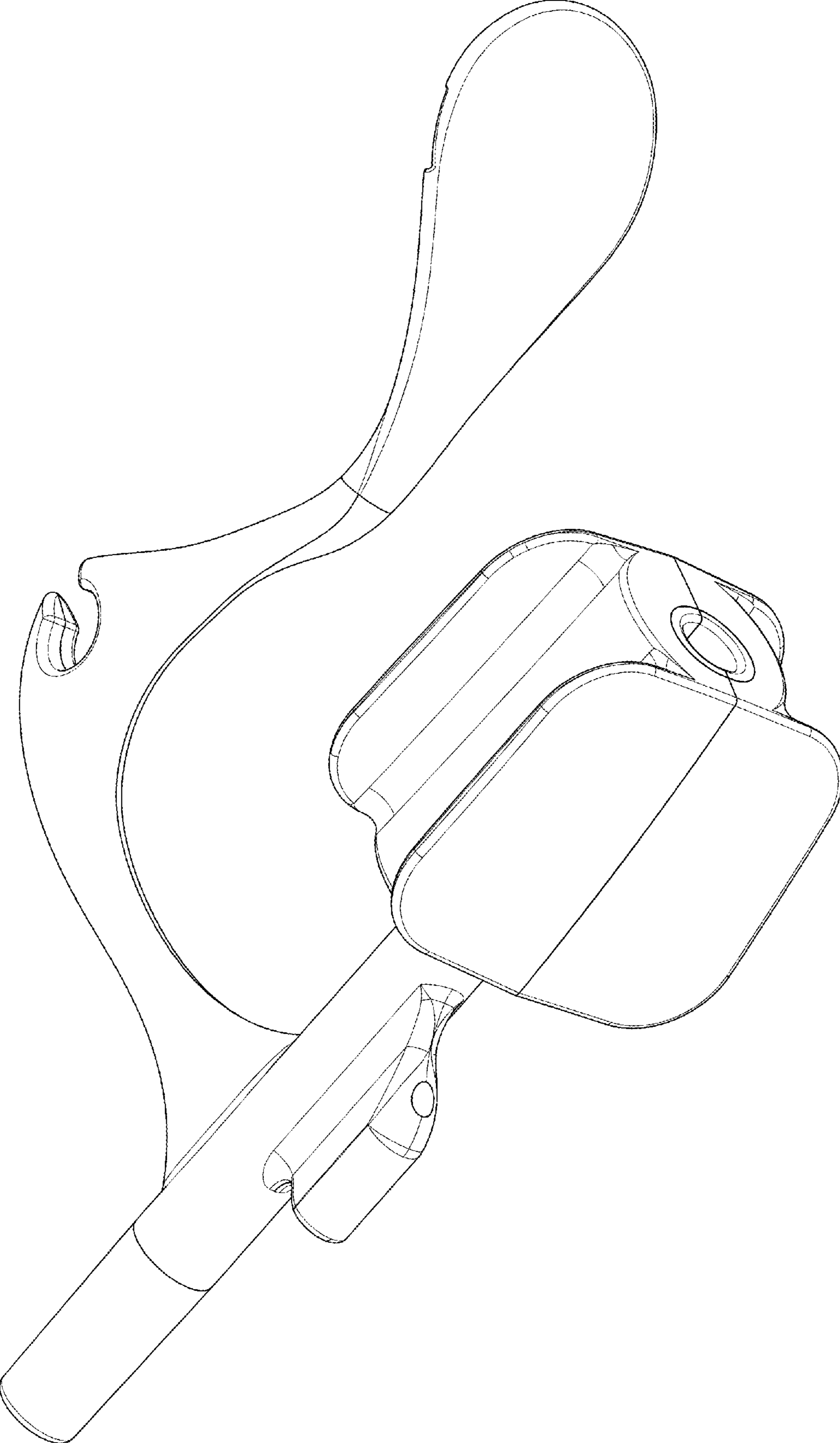


FIG. 10