

US00D767110S

(12) **United States Design Patent** (10) **Patent No.:** **US D767,110 S**  
**D'Amico** (45) **Date of Patent:** **\*\* Sep. 20, 2016**

(54) **AUTOMOTIVE VENT FRESHENER**  
(71) Applicant: **Scent2Market Inc.**, Yonkers, NY (US)  
(72) Inventor: **Daniel M. D'Amico**, South Salem, NY (US)  
(73) Assignee: **SCENT2MARKET INC.**, Yonkers, NY (US)

(\*\*) Term: **15 Years**

(21) Appl. No.: **29/537,014**

(22) Filed: **Aug. 21, 2015**

(51) **LOC (10) Cl.** ..... **28-99**

(52) **U.S. Cl.**  
USPC ..... **D23/368**

(58) **Field of Classification Search**  
USPC ..... D23/355-369; D28/5, 6; 261/DIG. 17, 261/DIG. 42, DIG. 47, DIG. 55, DIG. 65, 261/DIG. 70, DIG. 88, DIG. 89; 392/386, 392/389, 394, 395, 403; 239/34, 44, 45, 53, 239/56  
CPC ..... A61L 9/02; A61L 9/03; A61L 9/034; A61L 9/04; A61L 9/12; A61L 9/032; A61L 9/122; A61L 9/127; A61L 9/22  
See application file for complete search history.

(56) **References Cited**

U.S. PATENT DOCUMENTS

640,359 A \* 1/1900 Boure ..... B61L 5/102 246/159  
5,269,723 A 12/1993 Bender  
D396,528 S 7/1998 Ceresko  
5,865,372 A 2/1999 Ceresko  
D419,659 S 1/2000 Yang  
6,123,906 A 9/2000 Farmer  
6,416,043 B1 7/2002 Eisenbraun  
7,137,570 B2 11/2006 Wheatley et al.  
D549,954 S 9/2007 Jirak  
7,293,719 B2 11/2007 Wheatley et al.

D604,825 S \* 11/2009 Brandenburg ..... D23/366  
7,687,037 B2 \* 3/2010 Wheatley ..... A61L 9/03 422/123  
7,687,038 B2 3/2010 Wheatley et al.  
D619,692 S \* 7/2010 Hami ..... D23/366  
D619,694 S \* 7/2010 Hami ..... D23/366  
7,938,338 B2 5/2011 Janakat et al.  
D650,892 S \* 12/2011 Wheatley ..... D23/366  
8,147,761 B2 4/2012 Wheatley et al.  
D667,100 S \* 9/2012 Hakim ..... D23/366

(Continued)

*Primary Examiner* — Sandra Snapp

(74) *Attorney, Agent, or Firm* — Buchanan Ingersoll & Rooney PC

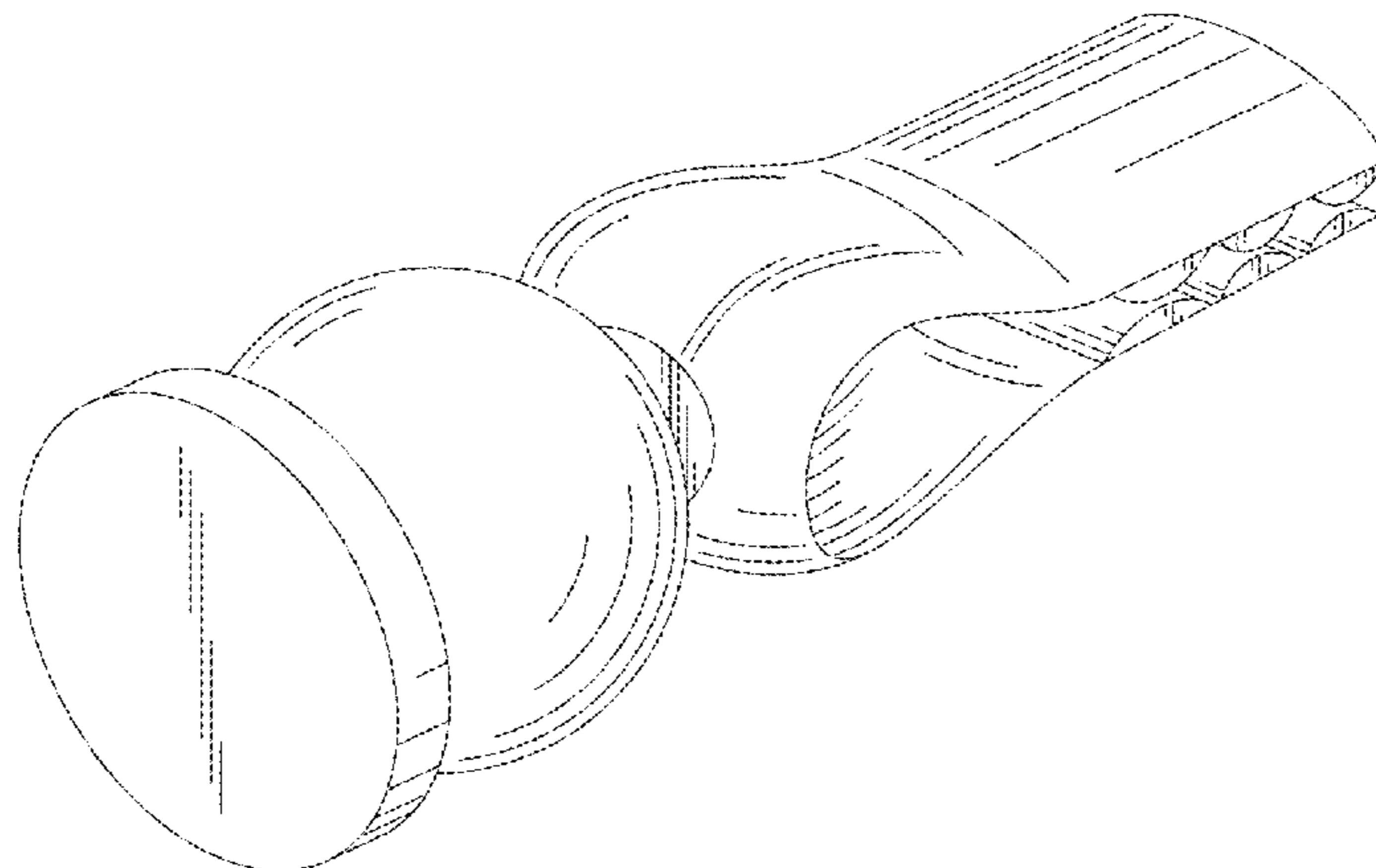
(57) **CLAIM**

The ornamental design for an automotive vent freshener, as shown and described.

**DESCRIPTION**

FIG. 1 shows a left-hand side perspective view of an automotive vent freshener of the invention; FIG. 2 shows a right-hand side perspective view thereof; FIG. 3 shows a left-hand side view thereof, wherein a right-hand side view is identical to the left-hand side view; FIG. 4 shows a top view thereof, wherein the bottom view is identical to the top view; FIG. 5 is a rear view thereof; FIG. 6 is a front view thereof; and, FIG. 7 is an enlarged perspective partial cut-away view of the automotive vent freshener showing an inner surface of a first clip arm of a clip portion with a second clip arm, a retaining pin, and a fragrance carrier portion removed for ease of illustration, wherein an inner surface of a second clip arm is identical to the inner surface of the first clip arm; and, FIG. 8 is a perspective partial cut-away view of the automotive vent freshener with the second clip arm removed for ease of illustration to show a portion of a retaining pin extending through an aperture of the clip portion.

**1 Claim, 4 Drawing Sheets**



(56)

**References Cited**

U.S. PATENT DOCUMENTS

8,380,960 B2	2/2013	Jia et al.	9,155,812 B1 *	10/2015	Bourne .....	A61L 9/12
D684,675 S *	6/2013	Irvin .....	2003/0202922 A1	10/2003	Farmer	
8,460,609 B1 *	6/2013	Wheatley .....	2006/0196964 A1	9/2006	Wheatley et al.	
			2010/0065654 A1	3/2010	Wheatley et al.	
			2011/0108632 A1	5/2011	Brandenburg et al.	
D699,334 S *	2/2014	Alesi .....	2012/0067970 A1	3/2012	Hossein	
8,685,330 B2	4/2014	Irvin et al.	2012/0275950 A1	11/2012	Hafner et al.	
D712,022 S *	8/2014	Hakim .....	2013/0266486 A1	10/2013	Wu	
D733,280 S *	6/2015	Bourne .....	2013/0341424 A1	12/2013	Brandenburg et al.	
9,155,811 B1 *	10/2015	Haymond .....	2014/0113538 A1	4/2014	Irvin et al.	
			2014/0161672 A1	6/2014	Wheatley et al.	

\* cited by examiner

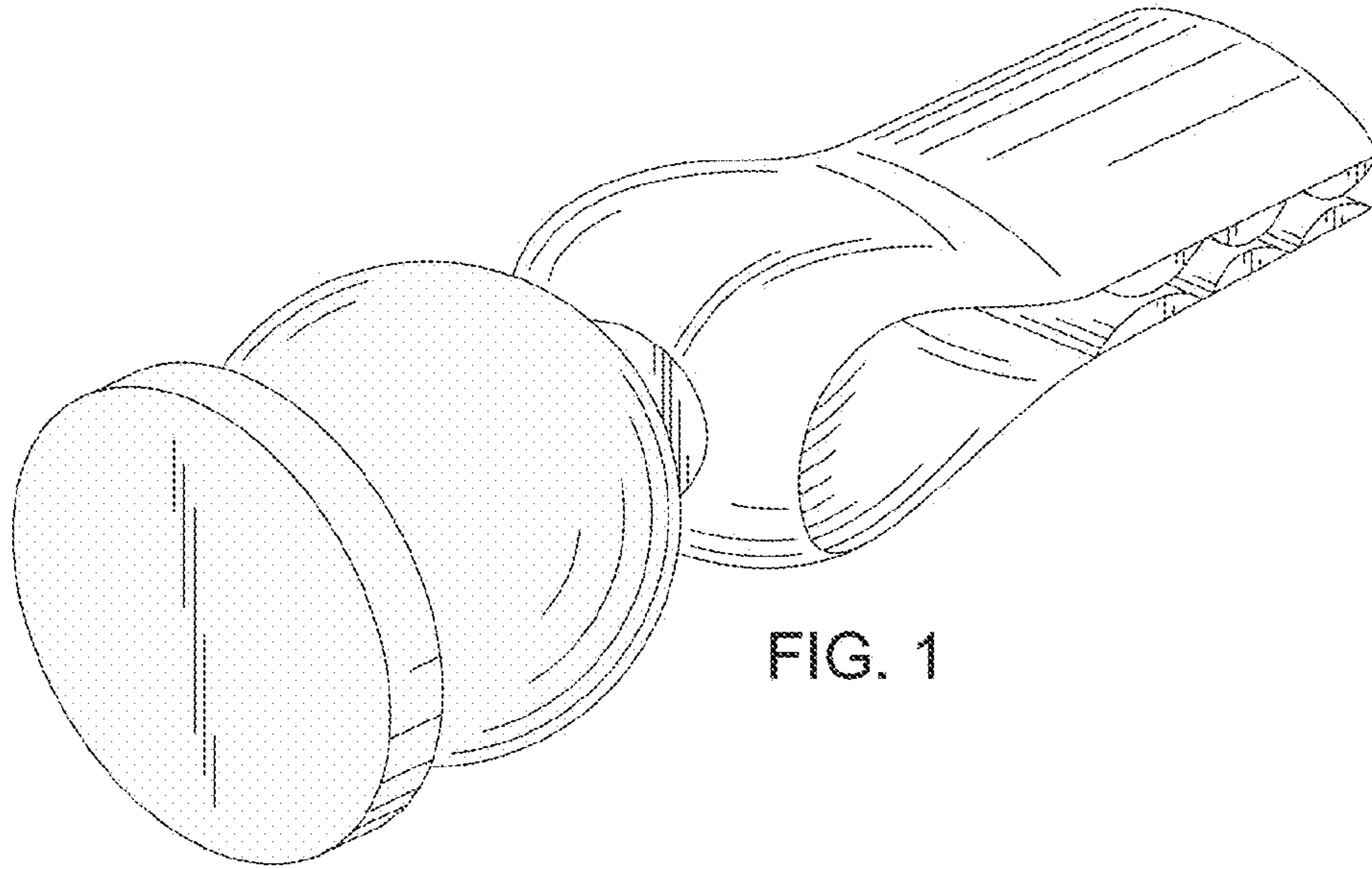


FIG. 1

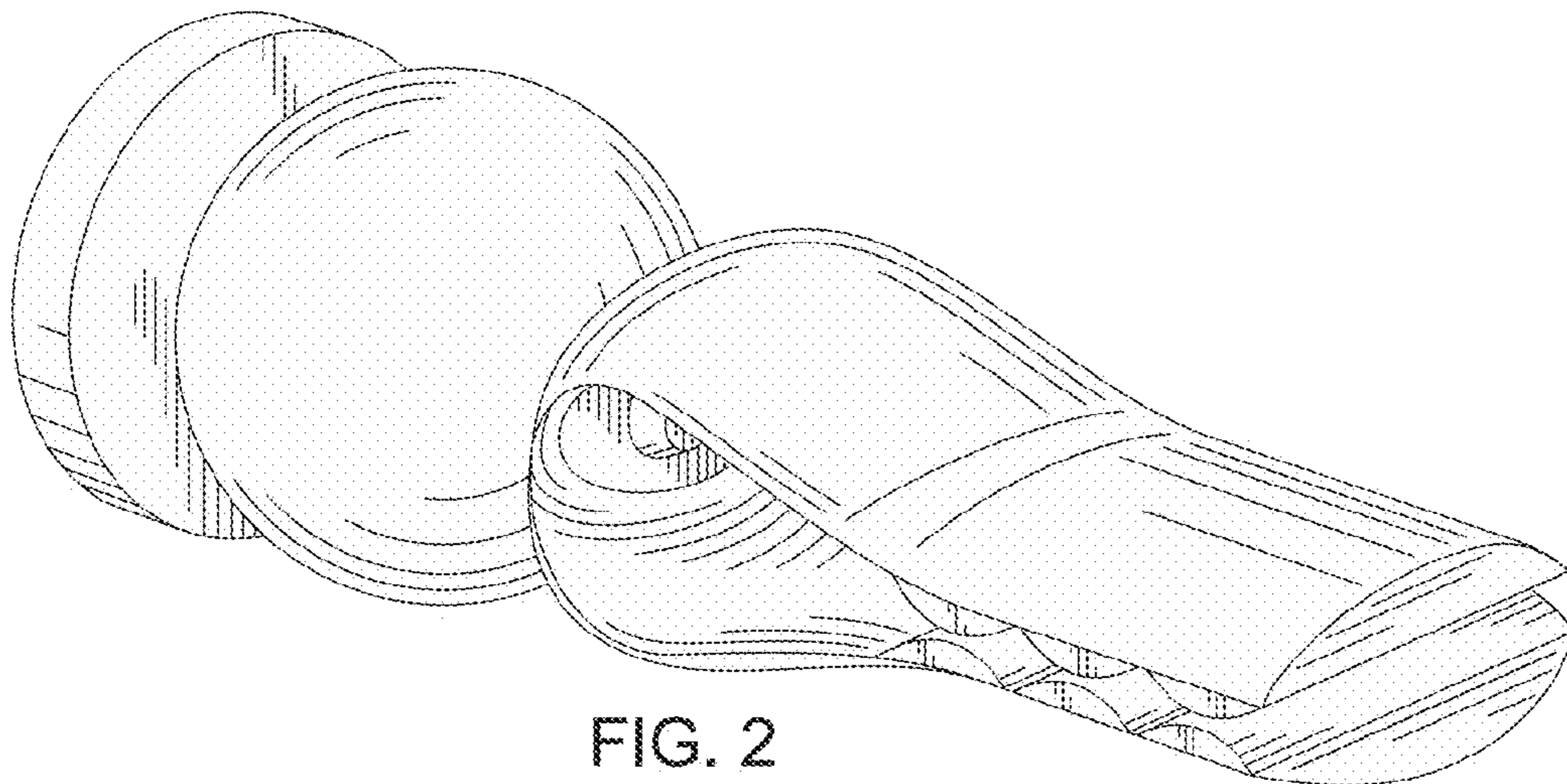


FIG. 2

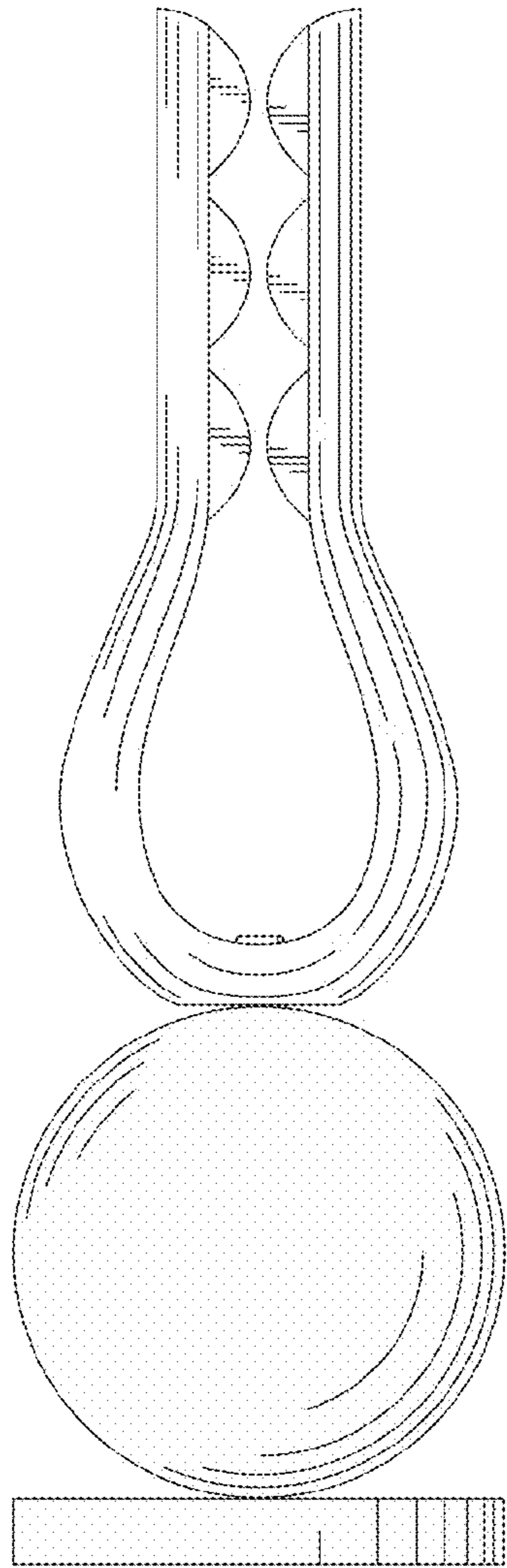


FIG. 3

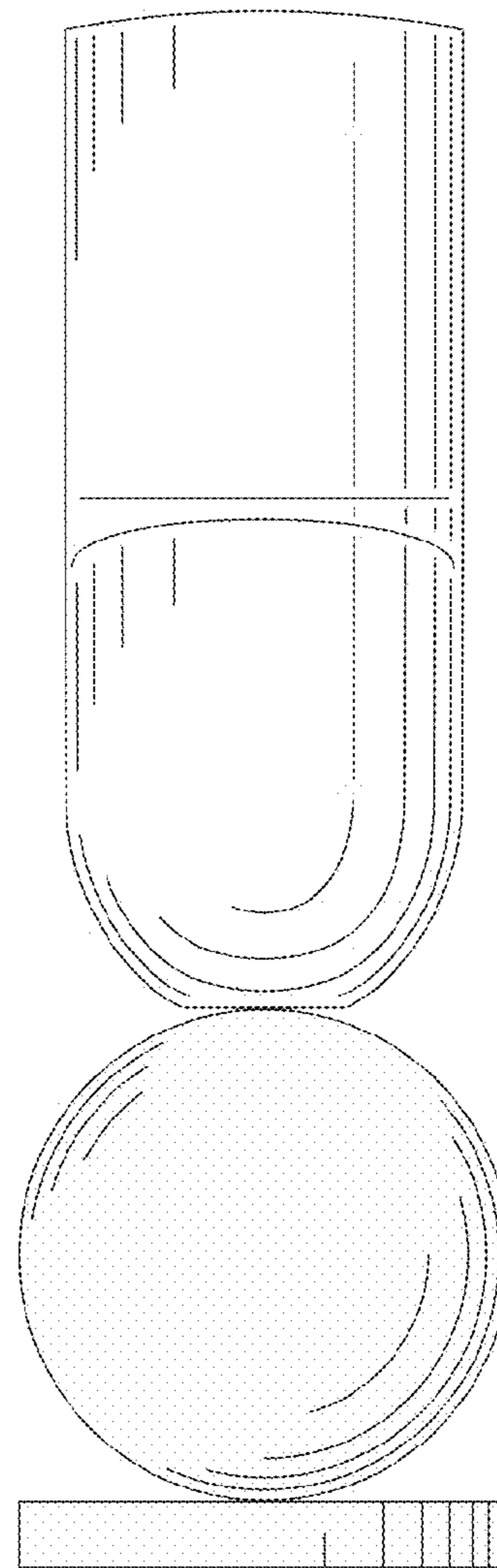


FIG. 4



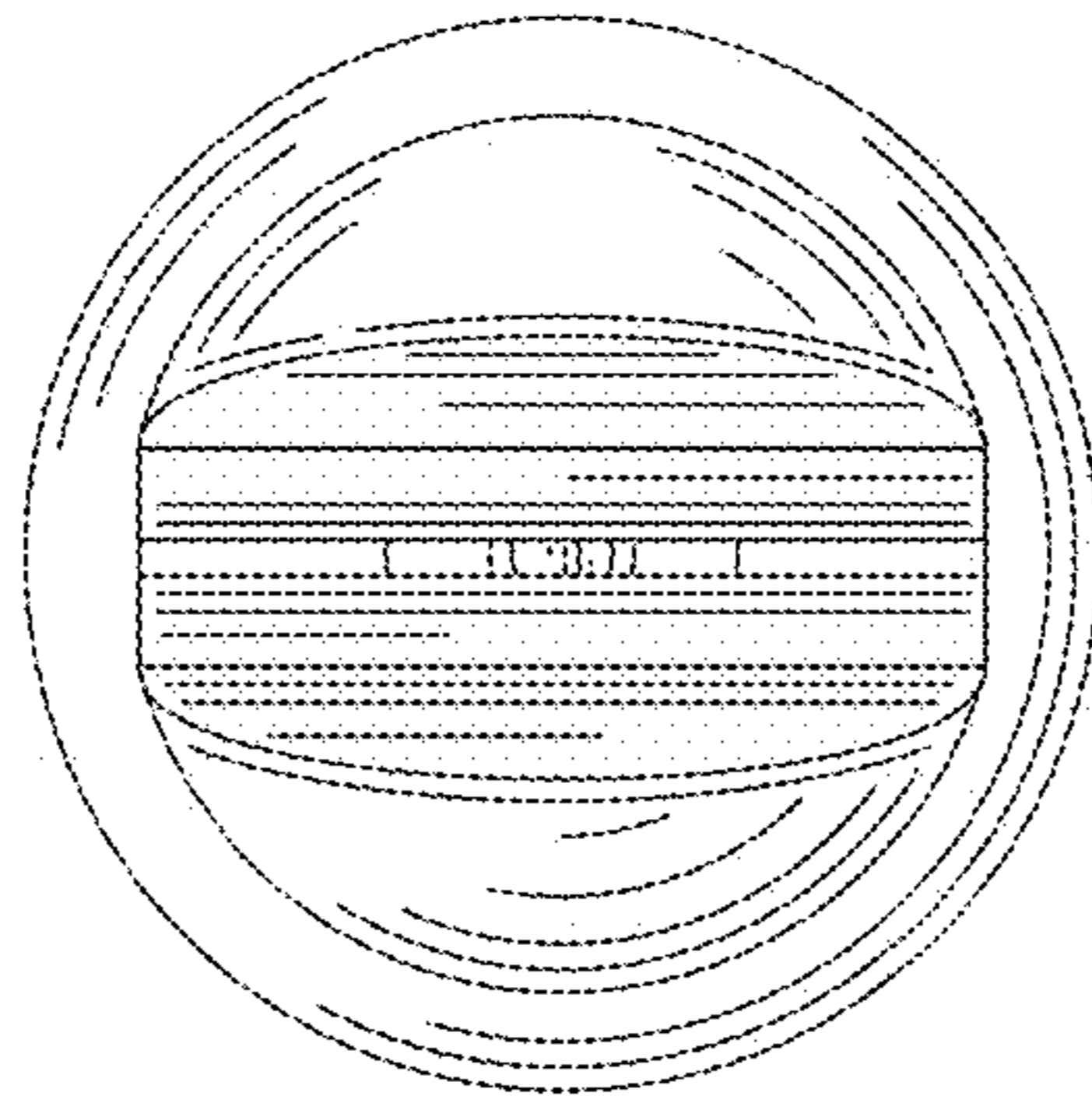


FIG. 5

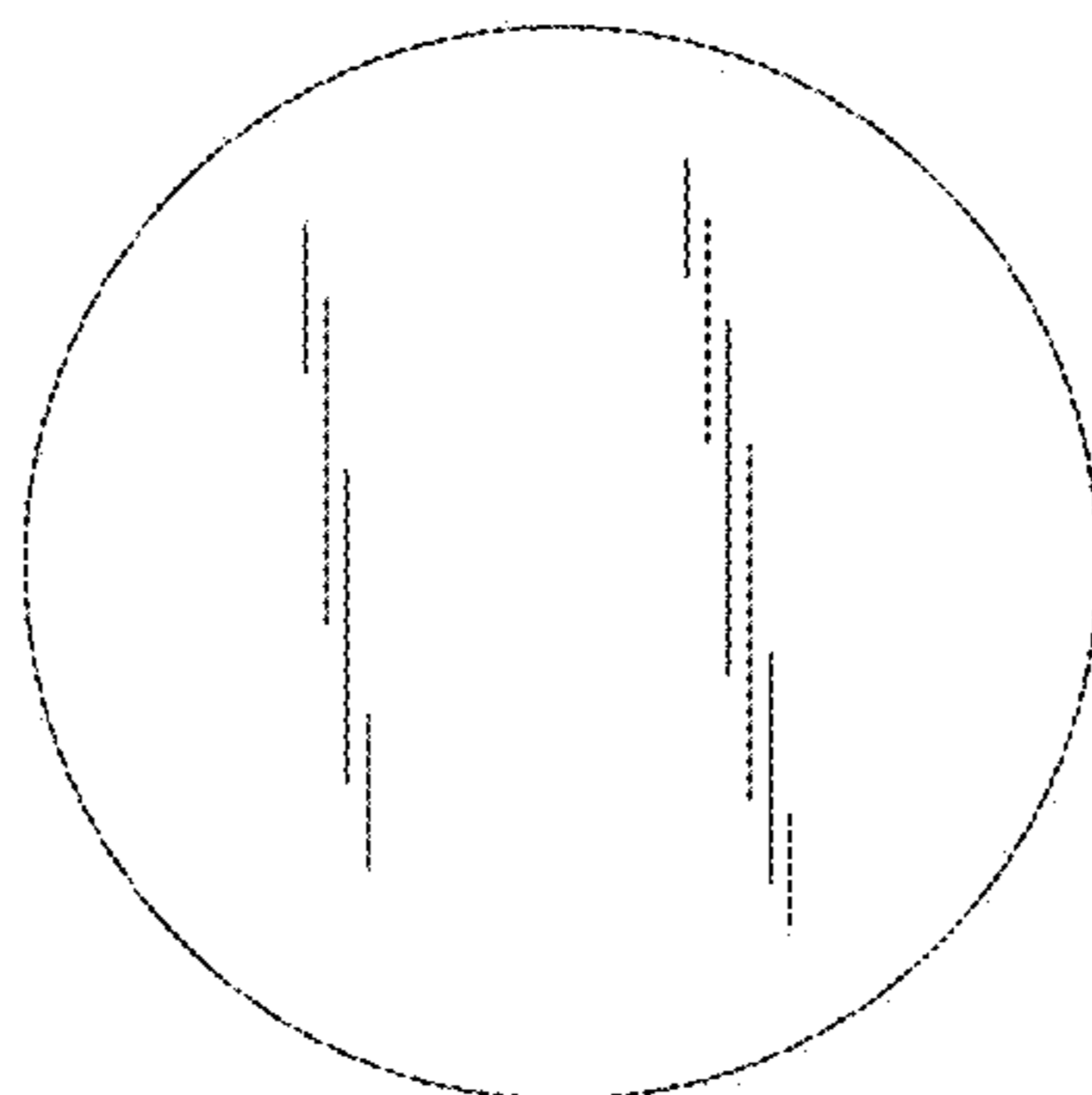


FIG. 6

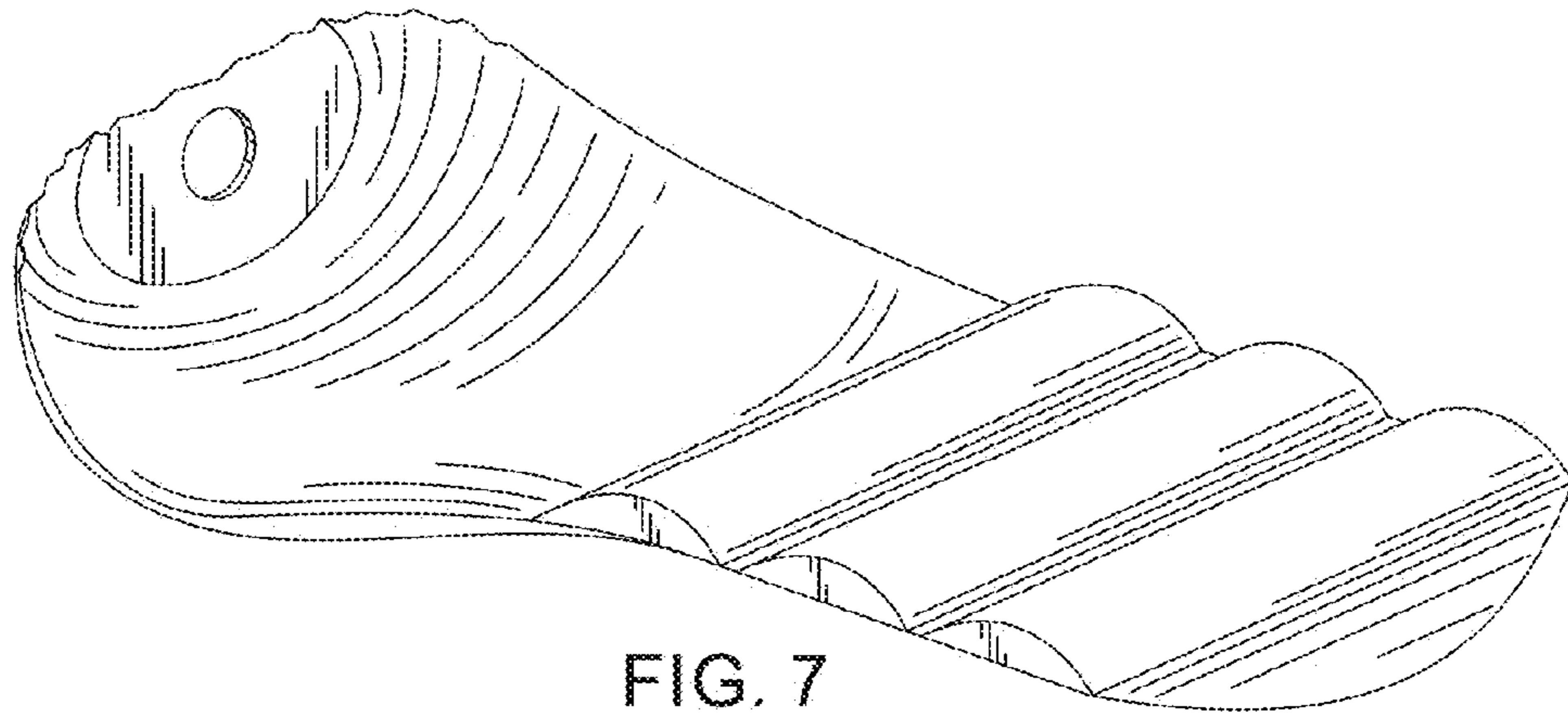


FIG. 7

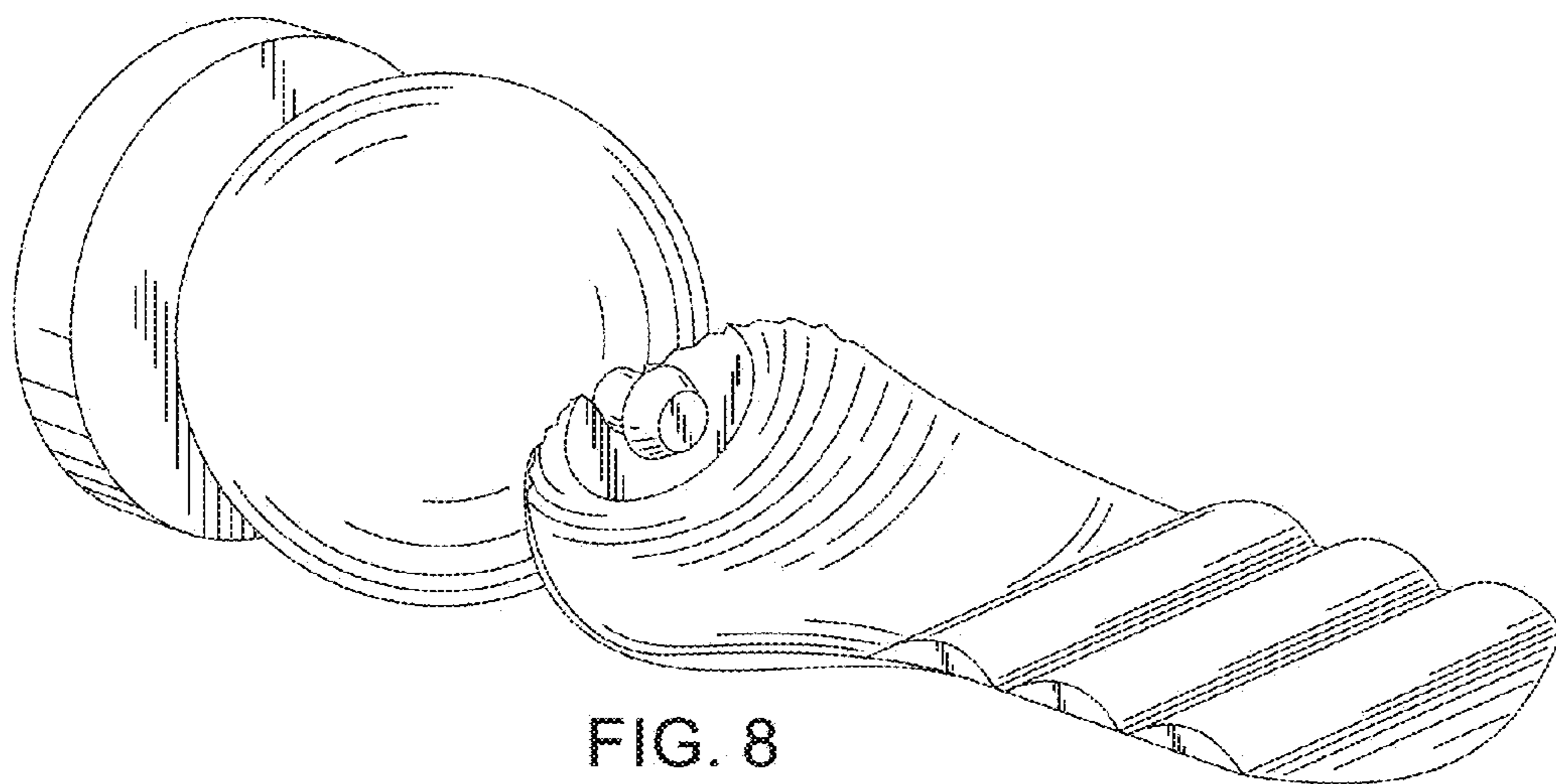


FIG. 8