



US00D767109S

(12) **United States Design Patent** (10) **Patent No.:** **US D767,109 S**  
**Gobber et al.** (45) **Date of Patent:** **\*\* Sep. 20, 2016**

(54) **PERFUME DIFFUSER**

(56) **References Cited**

(71) Applicant: **ZOBELE ESPAÑA, S.A.**, Barcelona (ES)

U.S. PATENT DOCUMENTS

(72) Inventors: **Cedric Gobber**, Barcelona (ES); **Jordi Maso Sabate**, Barcelona (ES)

D477,390 S *	7/2003	Chen .....	D23/366
D488,549 S *	4/2004	Chen .....	D23/366
D512,494 S *	12/2005	Haranaka .....	D23/355
D521,138 S *	5/2006	Wu .....	D23/366
D534,641 S *	1/2007	Chen .....	D23/366
D575,859 S *	8/2008	Scimone .....	D23/366
D582,536 S *	12/2008	Nestor .....	D23/366
D611,584 S *	3/2010	Gruenbacher .....	D23/366
D656,230 S *	3/2012	Robinson .....	D23/363
D662,578 S *	6/2012	Blanking .....	D23/366
D662,579 S *	6/2012	Blanking .....	D23/366
D689,999 S *	9/2013	Viala .....	D23/366
D721,427 S *	1/2015	Sun Ting Kung .....	D23/366
D742,492 S *	11/2015	Robinson .....	D23/360

(73) Assignee: **ZOBELE ESPAÑA, S.A.**, Barcelona (ES)

(\*\*) Term: **14 Years**

(21) Appl. No.: **29/525,875**

(22) Filed: **May 4, 2015**

\* cited by examiner

(30) **Foreign Application Priority Data**

Nov. 3, 2014 (EP) ..... 002570085

(51) **LOC (10) Cl.** ..... **28-99**

(52) **U.S. Cl.**  
USPC ..... **D23/368**

(58) **Field of Classification Search**

USPC ..... D23/355-369; D28/5, 6; 261/DIG. 17, 261/DIG. 42, DIG. 47, DIG. 55, DIG. 65, 261/DIG. 70, DIG. 88, DIG. 89; 392/386, 392/389, 394, 395, 403; 239/34, 44, 45, 53, 239/56

CPC ..... A61L 9/02; A61L 9/03; A61L 9/034; A61L 9/04; A61L 9/12; A61L 9/032; A61L 9/122; A61L 9/127; A61L 9/22

See application file for complete search history.

*Primary Examiner* — Sandra Snapp

(74) *Attorney, Agent, or Firm* — Ladas & Parry LLP

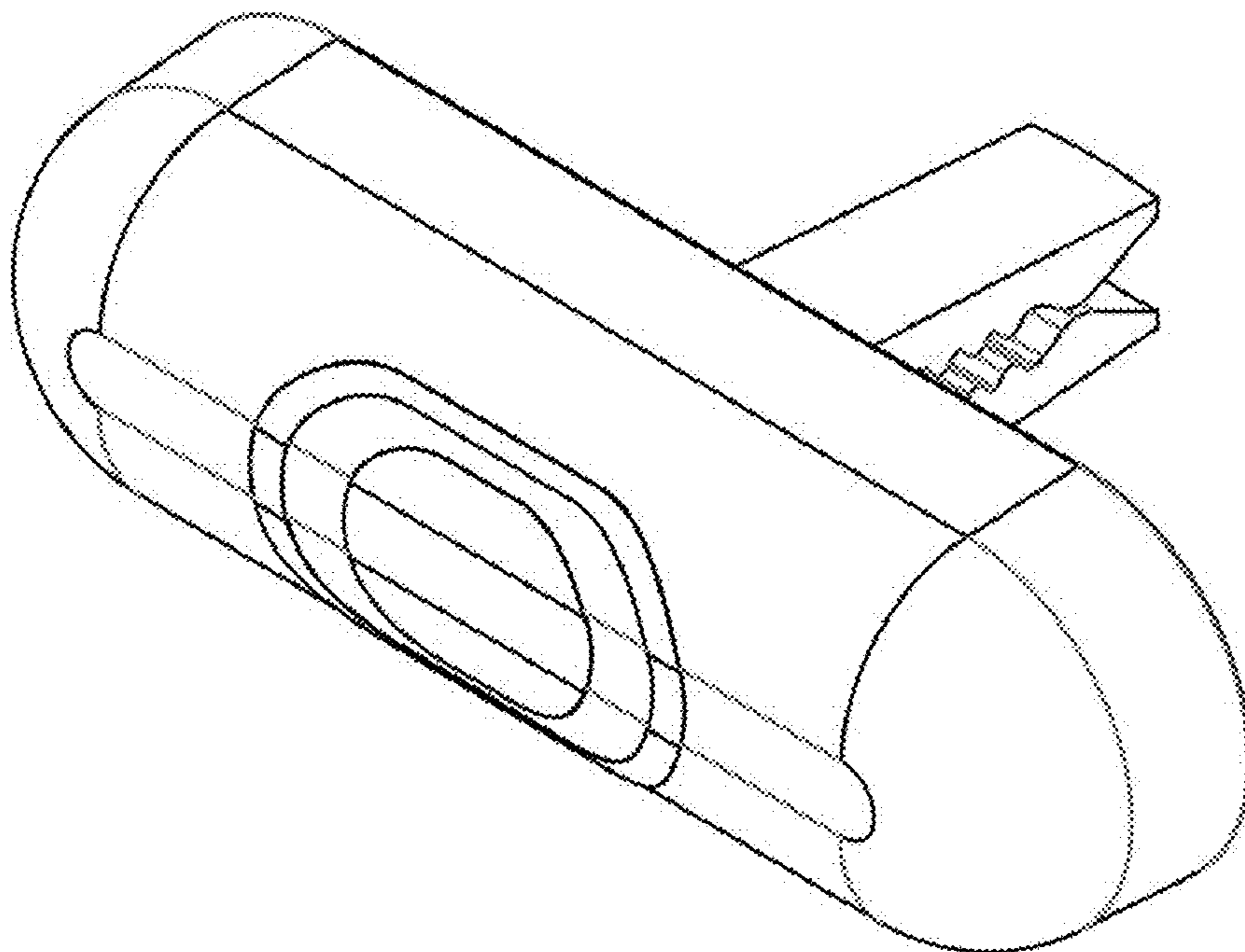
(57) **CLAIM**

I claim the ornamental design for perfume diffuser, as shown.

**DESCRIPTION**

FIG. 1 is a perspective view of an embodiment of a perfume diffuser showing our new design; FIG. 2 is a front elevational view thereof; FIG. 3 is a top plan view thereof; FIG. 4 is a bottom plan view thereof; and, FIG. 5 is a right side elevation view thereof, the left side elevation view being a mirror image thereof.

**1 Claim, 3 Drawing Sheets**



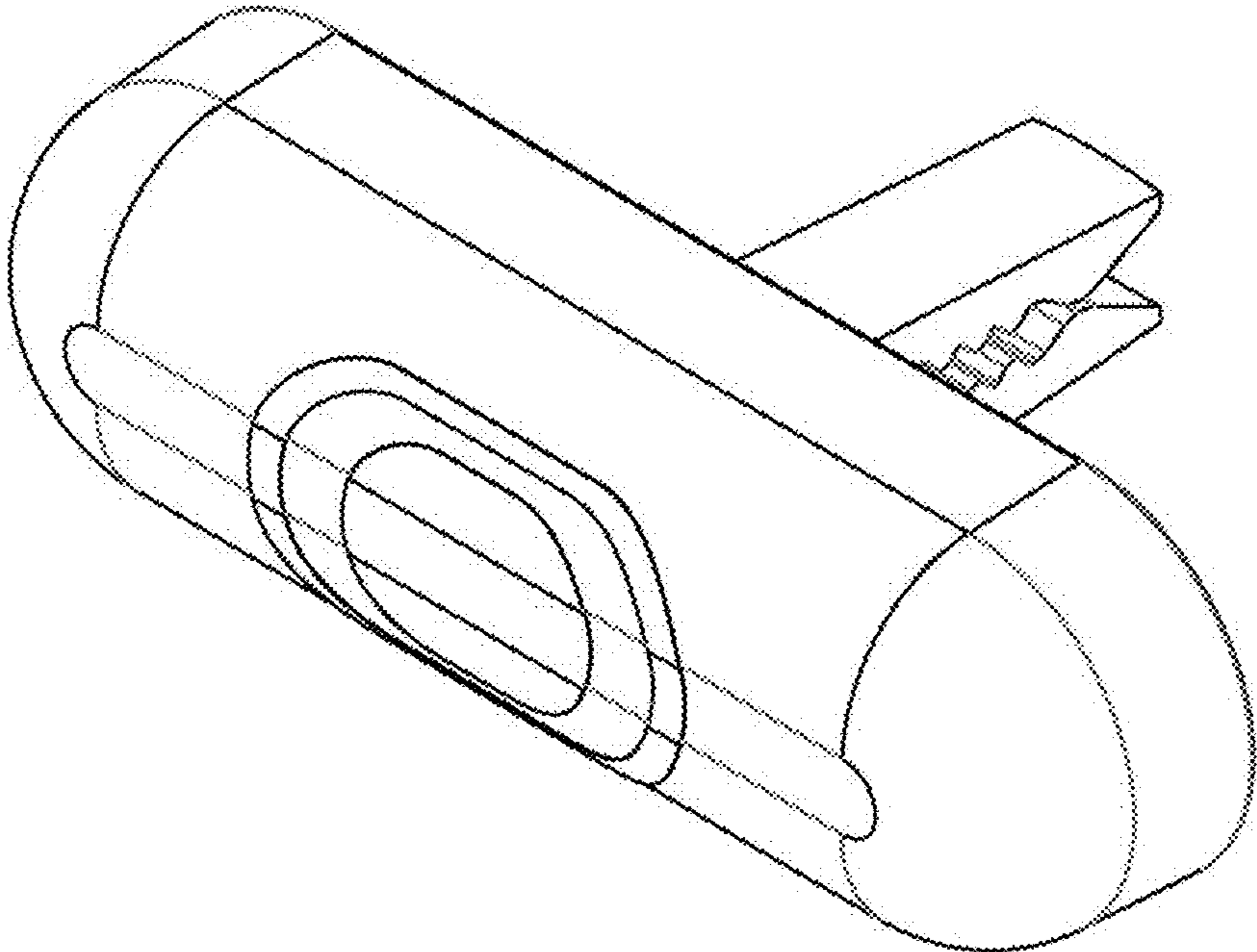


FIG. 1

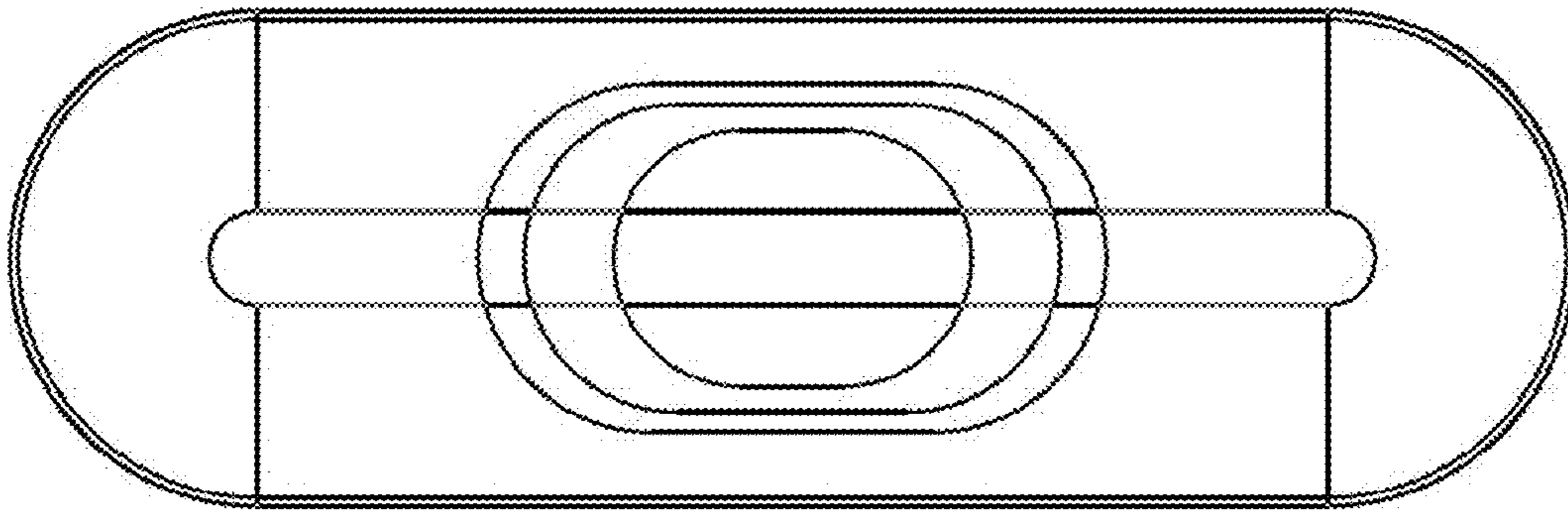


FIG. 2

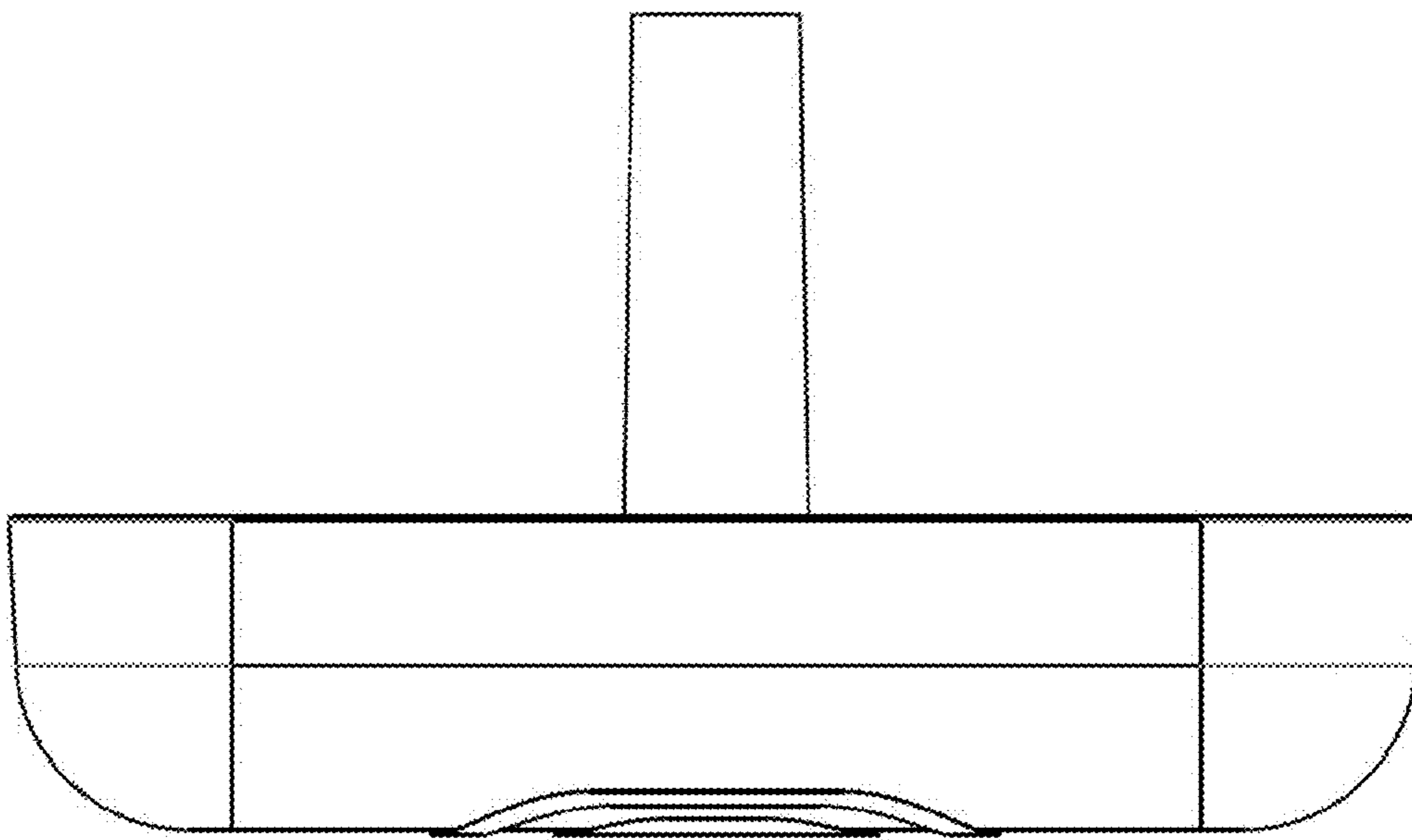


FIG. 3

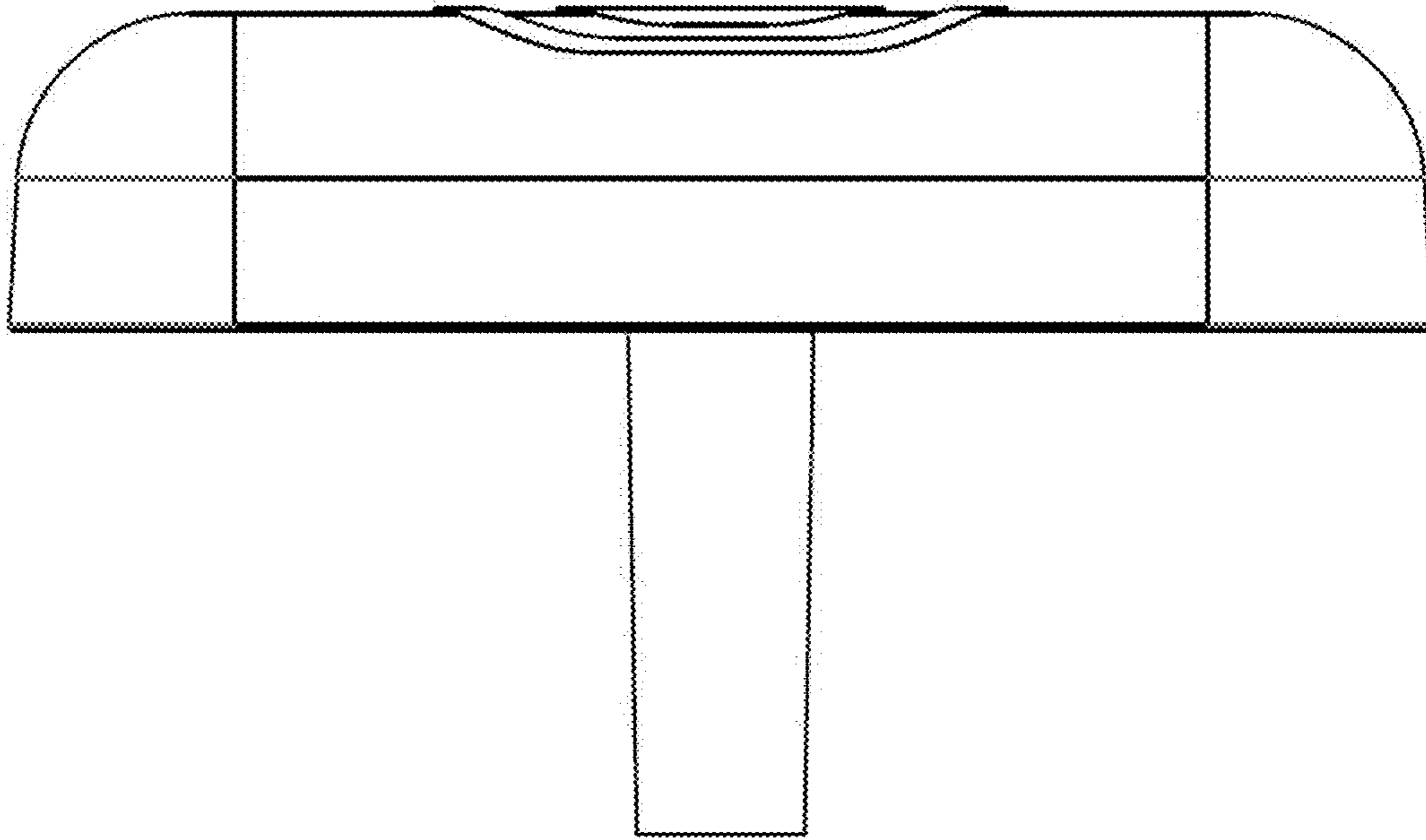


FIG. 4

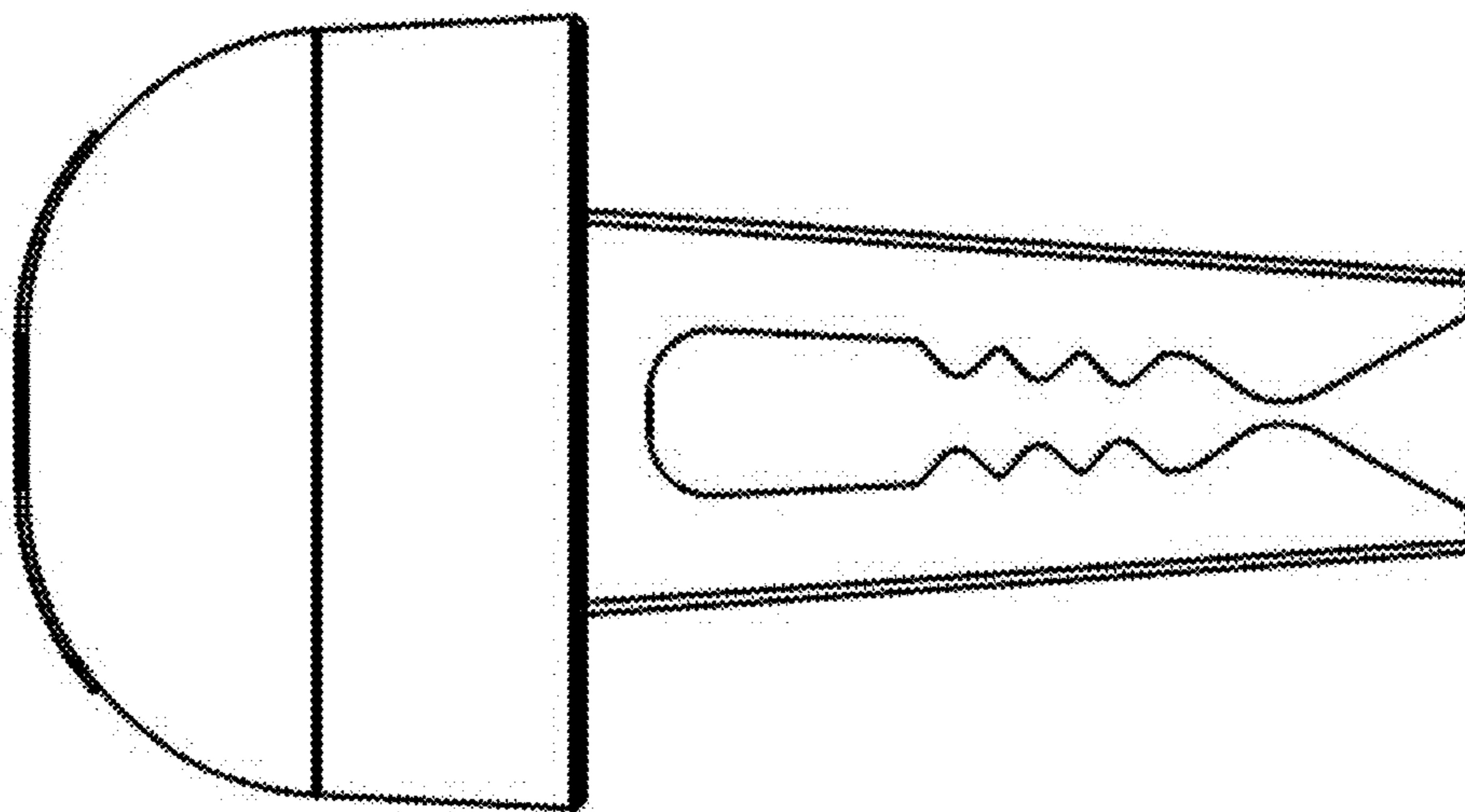


FIG. 5