



US00D767107S

(12) **United States Design Patent** (10) **Patent No.:** **US D767,107 S**
Stephens et al. (45) **Date of Patent:** **** Sep. 20, 2016**

(54) **HEAT EXCHANGER**
(71) Applicant: **HTP, Inc.**, East Freetown, MA (US)
(72) Inventors: **Phillip Stephens**, Assonet, MA (US);
Justin Jenne, New Bedford, MA (US)
(73) Assignee: **HTP, INC.**, East Freetown, MA (US)
(**) Term: **14 Years**

(21) Appl. No.: **29/450,083**
(22) Filed: **Mar. 15, 2013**
(51) **LOC (10) Cl.** **23-03**
(52) **U.S. Cl.**
USPC **D23/323**
(58) **Field of Classification Search**
USPC D23/314, 323, 330, 386, 499; 165/181,
165/121, 166, 167, 170, 150, 151, 182,
165/172; 122/18.3, 130.1, 17.1, 18.1
See application file for complete search history.

(56) **References Cited**
U.S. PATENT DOCUMENTS
4,706,646 A * 11/1987 Christianson et al. 126/117
4,905,661 A * 3/1990 Wilson, Jr. 126/99 A
4,920,926 A * 5/1990 Linke et al. 122/379
6,296,050 B1 * 10/2001 Brinck, II 165/158
6,432,174 B1 * 8/2002 Heung 95/289
6,622,660 B1 * 9/2003 Bajic et al. 122/13.01
8,622,736 B2 * 1/2014 Wunning et al. 431/215
8,985,999 B2 * 3/2015 Sherrow et al. 431/12

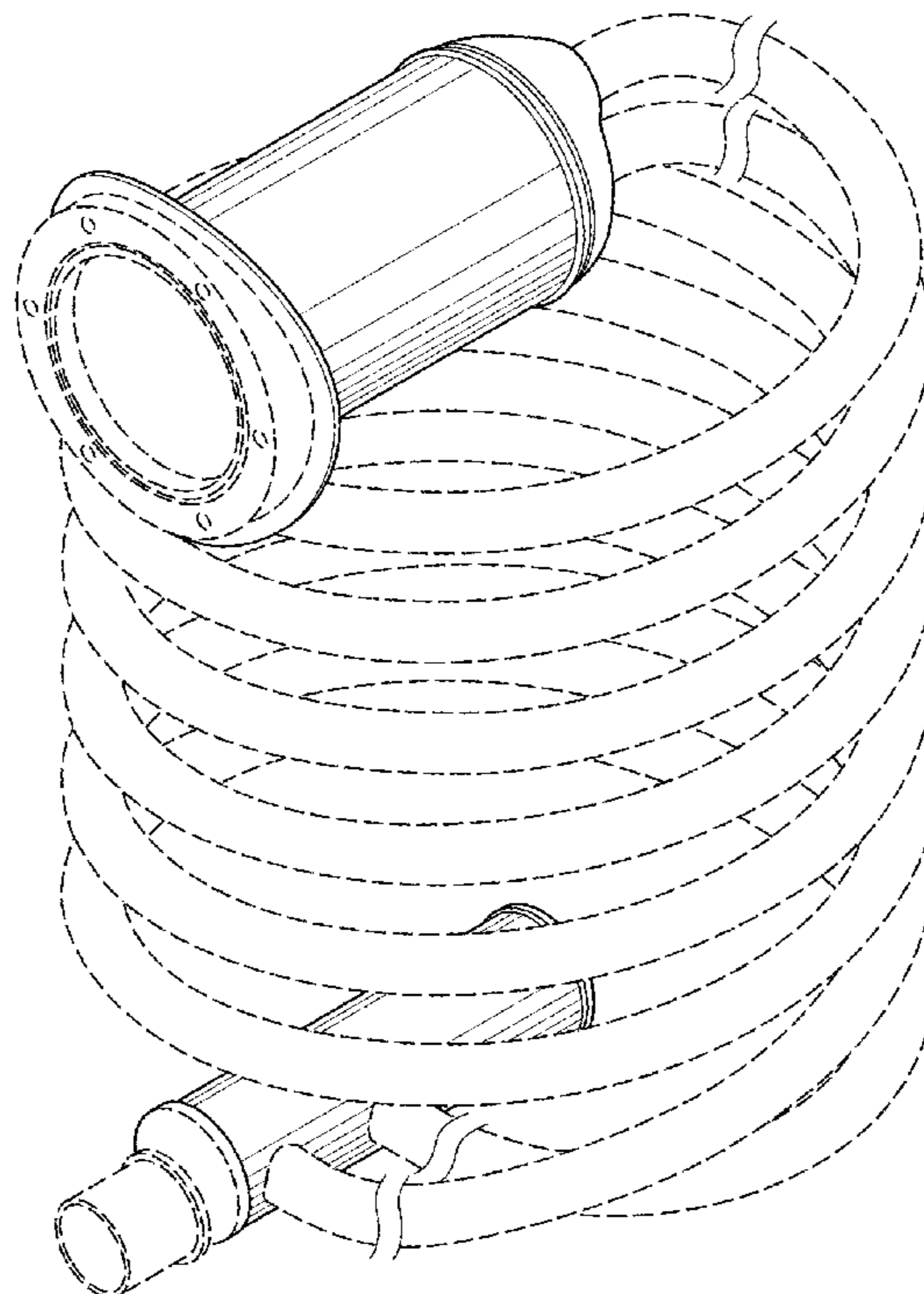
2003/0209345 A1 * 11/2003 Zweig 165/154
2007/0079772 A1 * 4/2007 Braathen et al. 122/18.1
2008/0216772 A1 * 9/2008 Gordon et al. 122/18.3
2010/0112502 A1 * 5/2010 Wunning et al. 431/215
2011/0041781 A1 * 2/2011 Deivasigamani et al. ... 122/18.1
2012/0247444 A1 * 10/2012 Sherrow et al. 126/116 R
2012/0261102 A1 * 10/2012 Hebert 165/129
2013/0067905 A1 * 3/2013 Eckert 60/508
* cited by examiner

Primary Examiner — T. Chase Nelson
Assistant Examiner — Ania Aman
(74) *Attorney, Agent, or Firm* — Adler Pollock & Sheehan
P.C.; Daniel J. Holmander, Esq.; George N. Chaclas, Esq.

(57) **CLAIM**
The ornamental design for a heat exchanger, as shown and described.

DESCRIPTION
FIG. 1 is a perspective view of the heat exchanger;
FIG. 2 is a front view thereof;
FIG. 3 is a rear view thereof;
FIG. 4 is a left side view thereof;
FIG. 5 is a right side view thereof;
FIG. 6 is top view thereof; and,
FIG. 7 is a bottom view thereof.
The broken away symbols in the drawings indicate that any portion of the article beyond what is shown forms no part of the claimed design. The broken lines shown in the drawings are for the purpose of illustrating portions of the article that form no part of the claimed design.

1 Claim, 7 Drawing Sheets



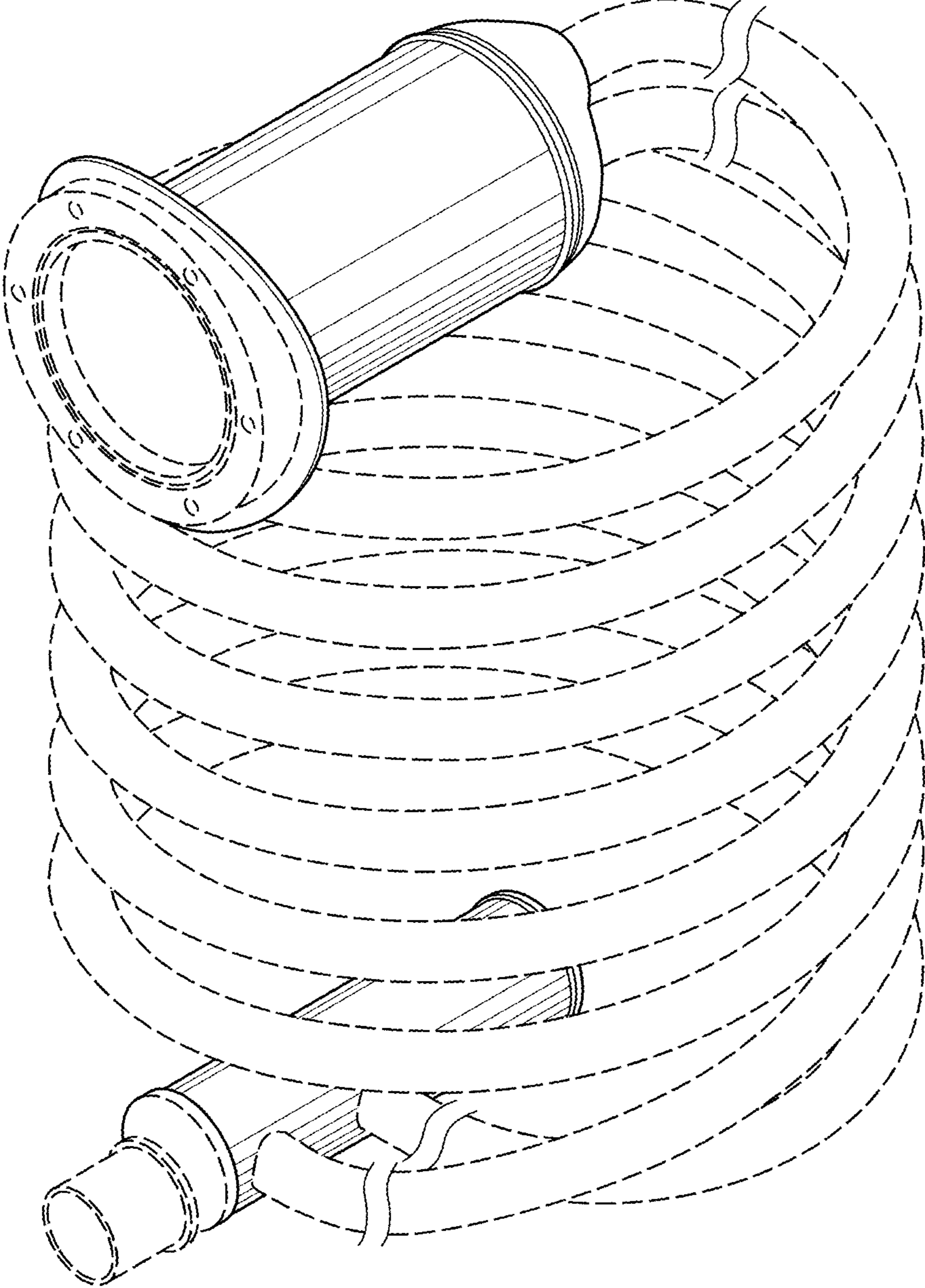


Fig. 1

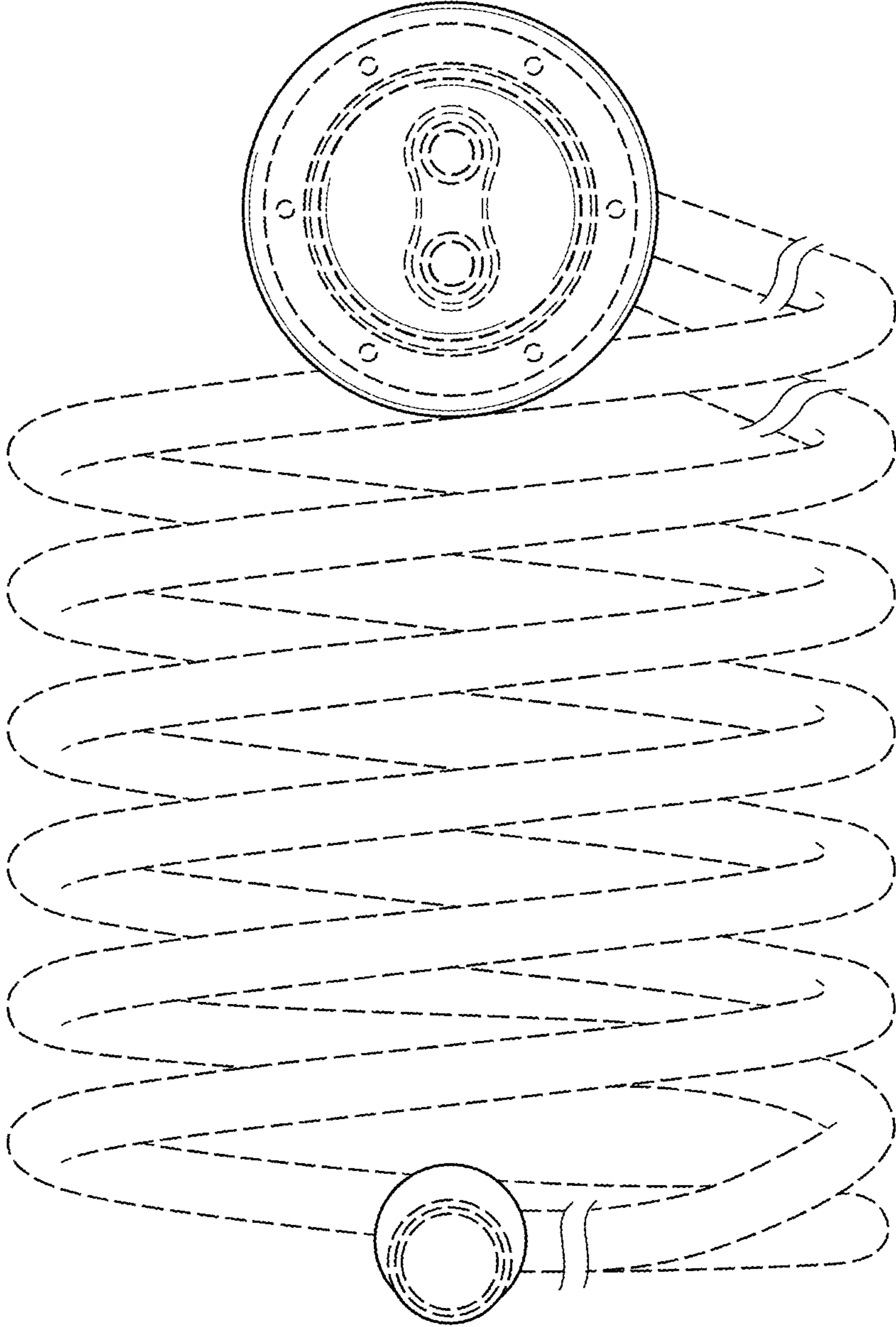


Fig. 2

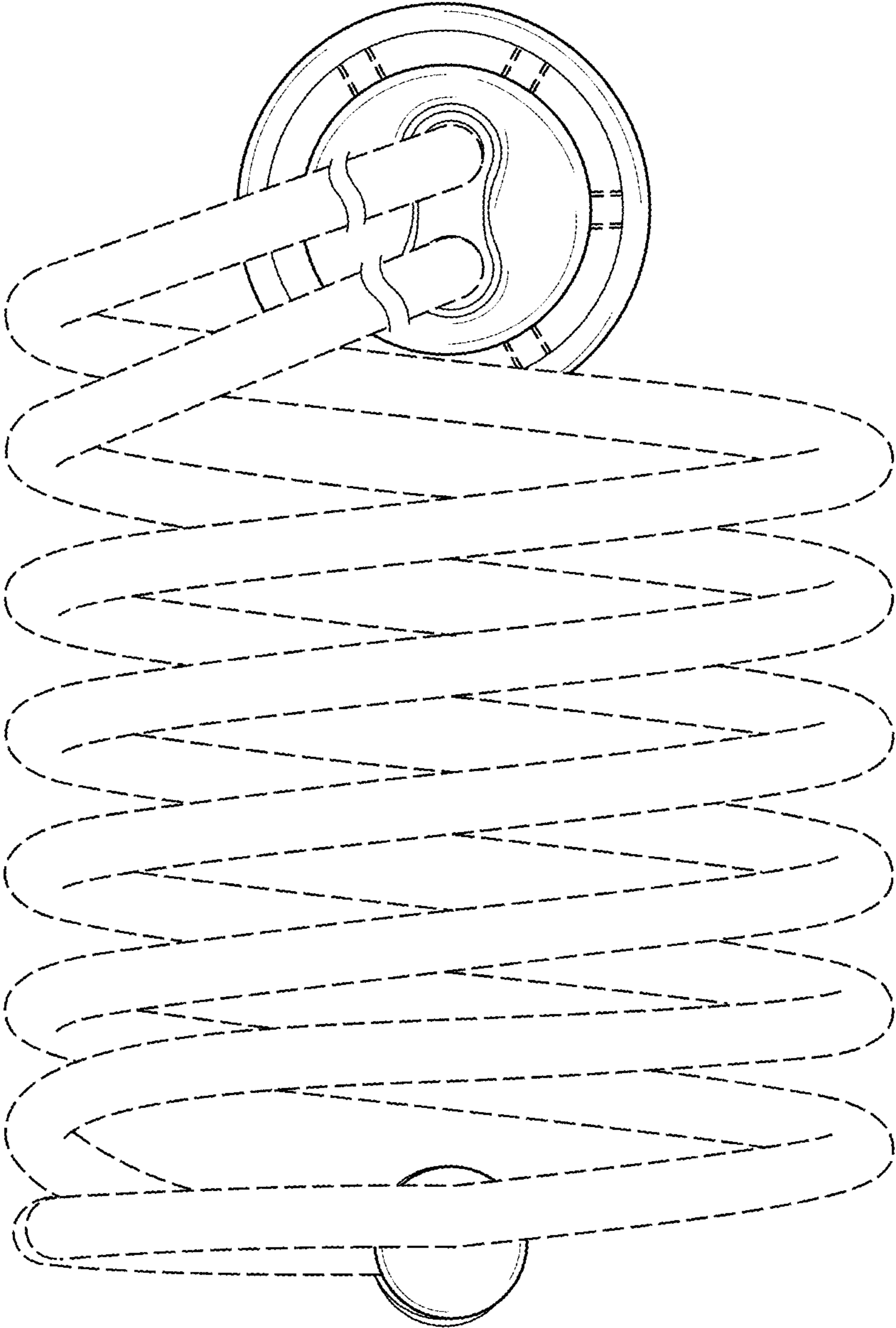


Fig. 3

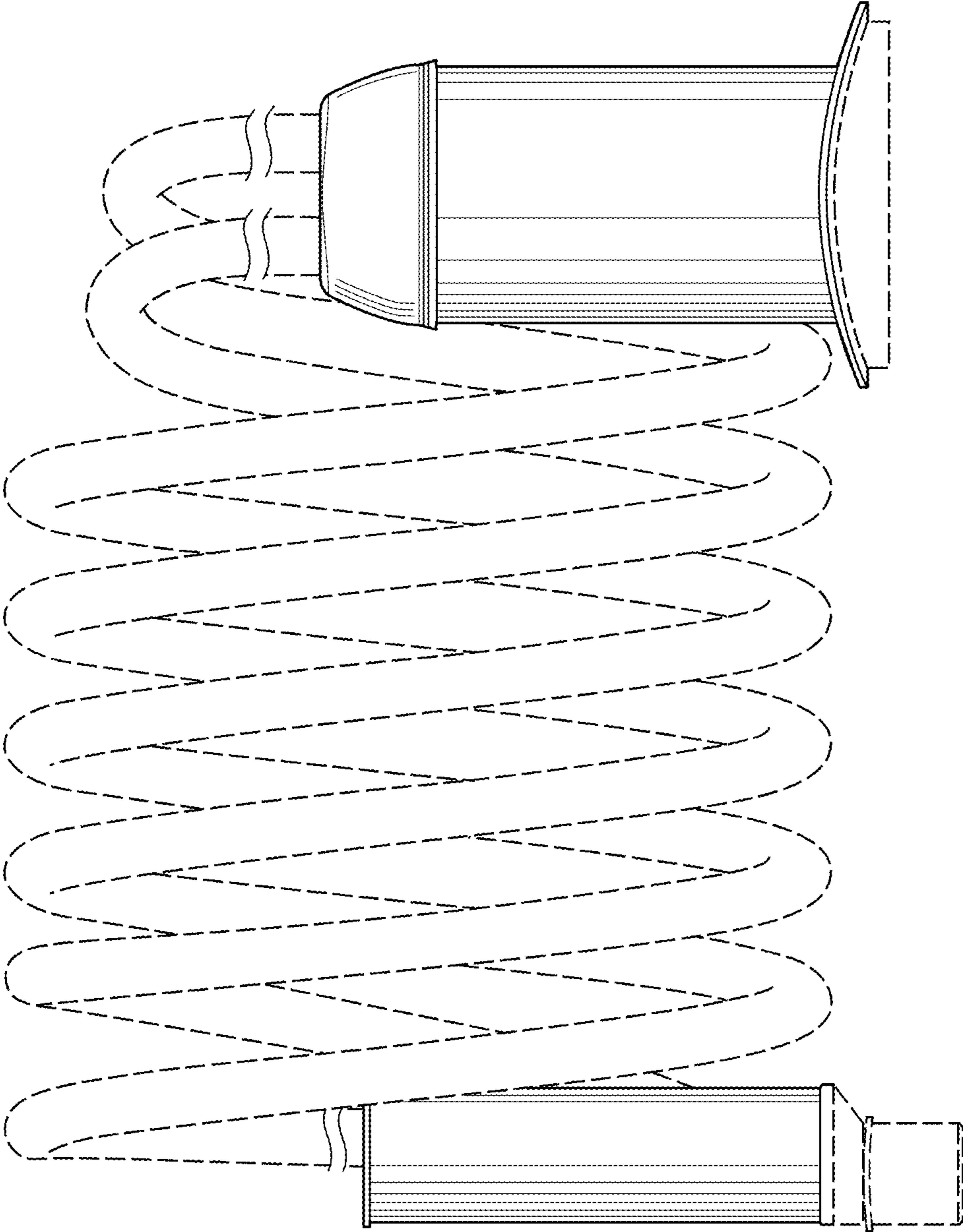


Fig. 4

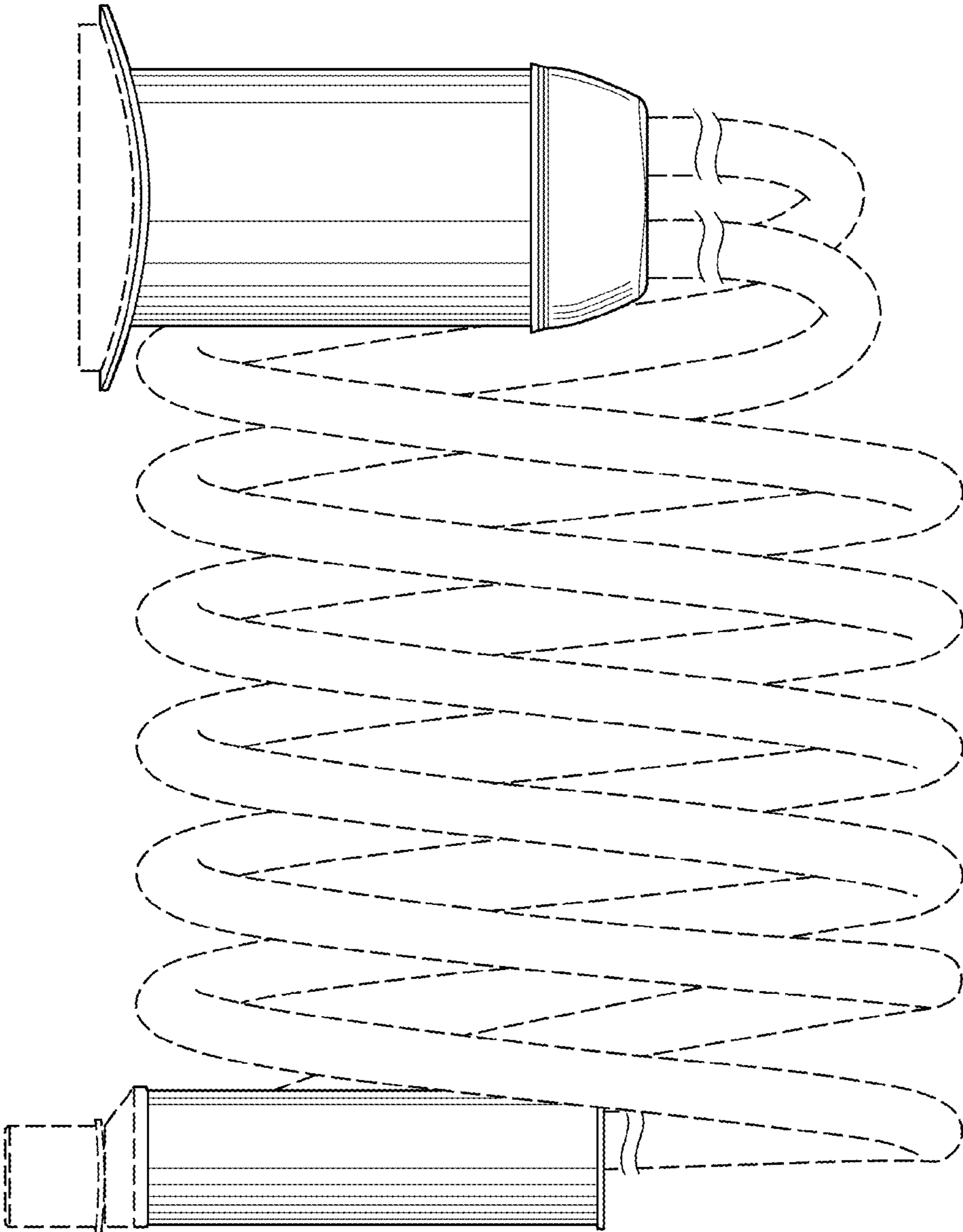


Fig. 5

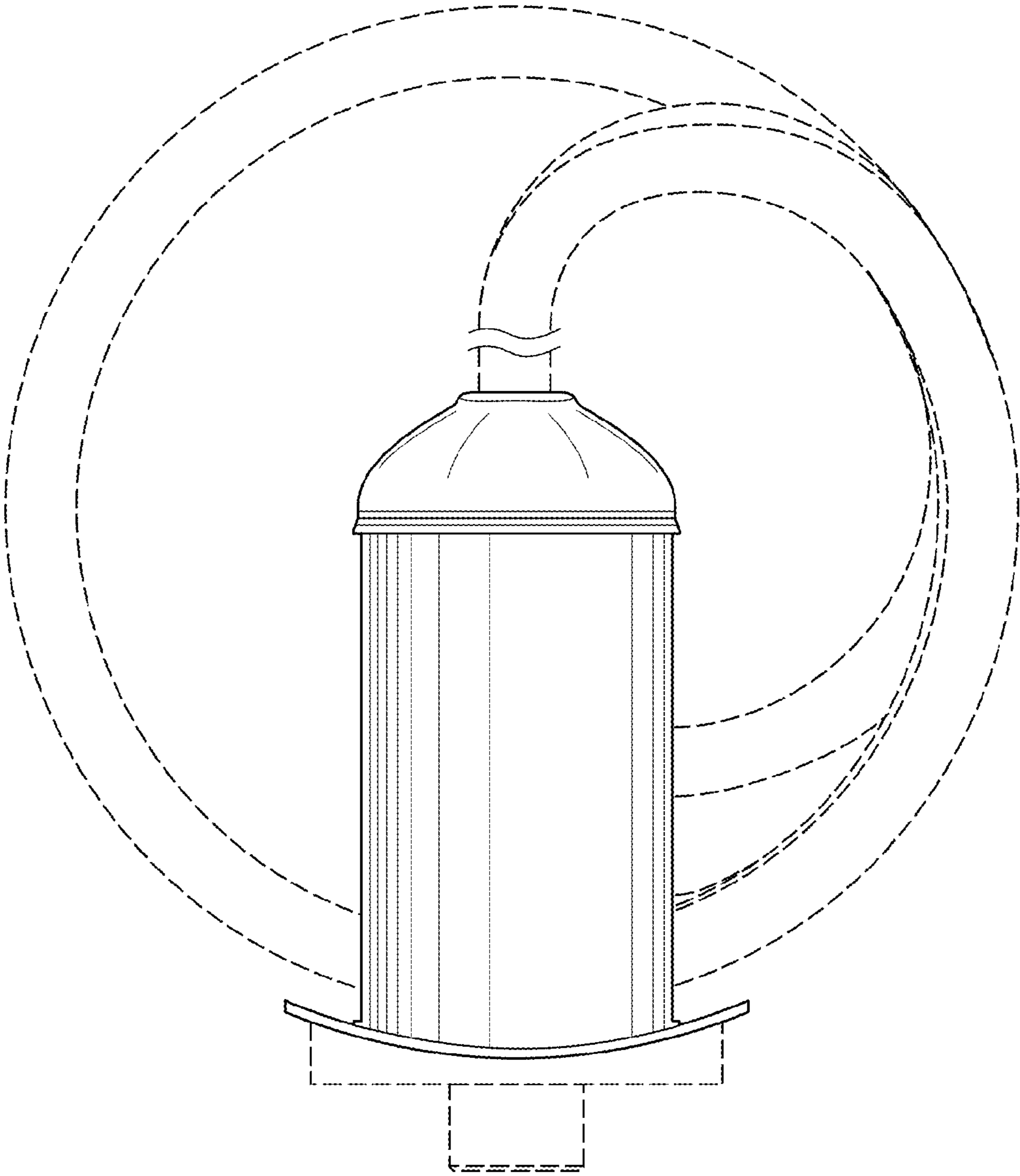


Fig. 6

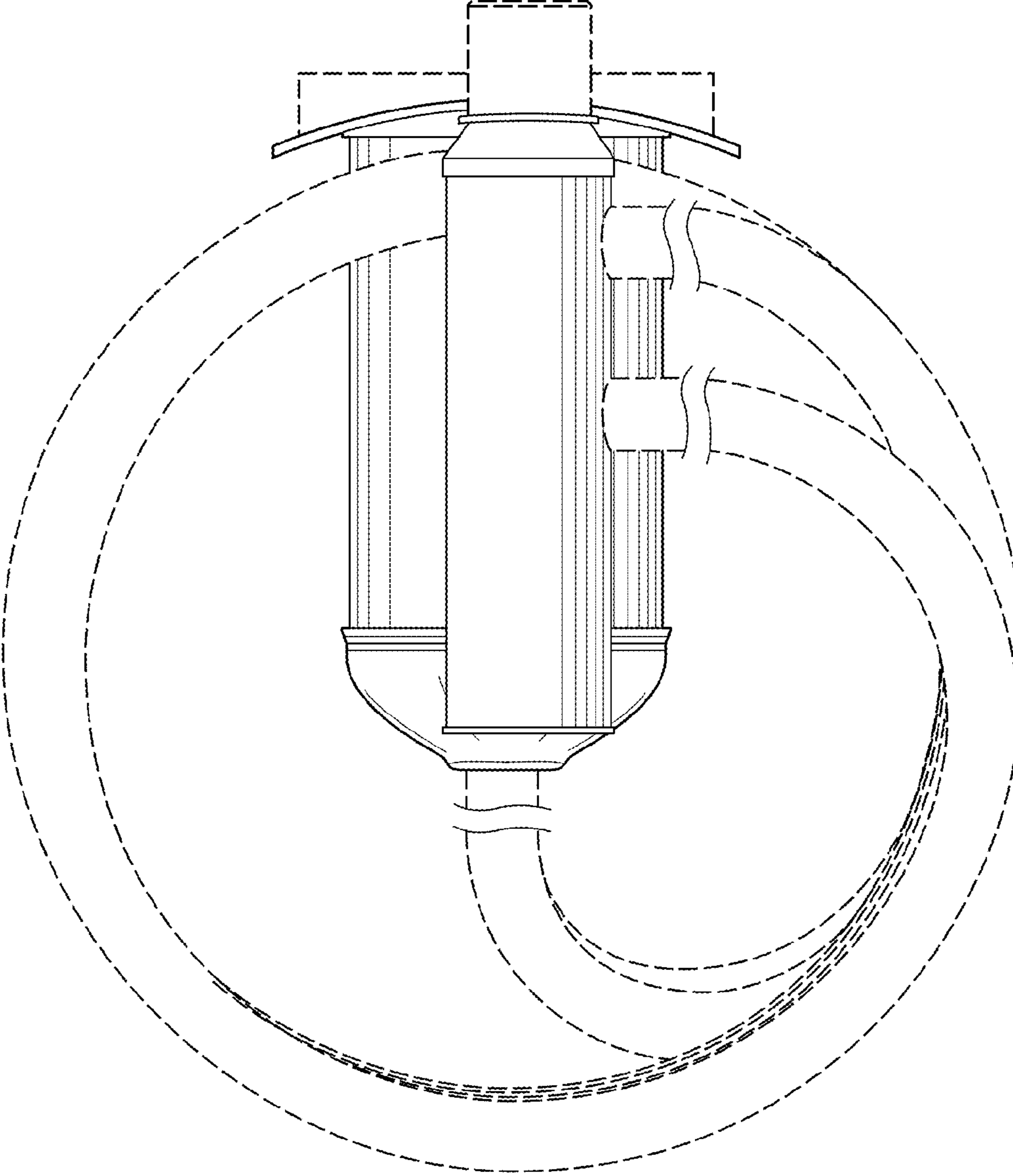


Fig. 7