

US00D767105S

(12) **United States Design Patent**  
**Richards et al.**

(10) **Patent No.:** **US D767,105 S**  
(45) **Date of Patent:** **\*\* Sep. 20, 2016**

(54) **PIPE FITTING**

(71) Applicant: **Victaulic Company**, Easton, PA (US)

(72) Inventors: **Christopher A. Richards**, Easton, PA (US); **Matthew A. Bowman**, Palmer, PA (US); **Kathryn E. Yovanovich**, Bethlehem, PA (US)

(73) Assignee: **Victaulic Company**, Easton, PA (US)

(\*\*) Term: **14 Years**

(21) Appl. No.: **29/525,822**

(22) Filed: **May 4, 2015**

(51) **LOC (10) Cl.** ..... **23-01**

(52) **U.S. Cl.**  
USPC ..... **D23/263**

(58) **Field of Classification Search**  
USPC ..... D23/259–263, 264–265, 266, 269  
CPC ..... F16L 17/025; F16L 17/035; F16L 17/04;  
F16L 19/086; F16L 23/18; F16L 27/06;  
F16L 37/091; F16L 41/021; F16L 55/172;  
F16J 15/2418; F16J 15/3256; F16J 15/3404;  
F16J 15/187; F16J 15/36  
See application file for complete search history.

(56) **References Cited**

**U.S. PATENT DOCUMENTS**

1,020,123 A	3/1912	Brampton et al.
1,203,989 A	11/1916	Dehn
1,287,108 A	12/1918	Robinson et al.
1,379,811 A	5/1921	Fyffe
1,770,271 A	7/1930	Hoppes
1,999,045 A	4/1935	Goetz
2,128,720 A	8/1938	Tweeddale
2,412,394 A	12/1946	Giles
3,148,896 A	9/1964	Chu
3,517,701 A	6/1970	Smith

3,596,935 A	8/1971	McGeoch, Sr.
3,633,943 A	1/1972	Ramm et al.
3,825,286 A	7/1974	Henry, III
3,944,260 A	3/1976	Petroczky
4,018,979 A	4/1977	Young
4,461,498 A	7/1984	Kunsmann
4,633,913 A	1/1987	Carty et al.

(Continued)

**FOREIGN PATENT DOCUMENTS**

KR	100315861	11/2001
KR	1020090007813	1/2009

(Continued)

**OTHER PUBLICATIONS**

Author Unknown, Search Report for Design Patent Application from counterpart Taiwan patent application No. 104306078; Jun. 1, 2016, 1 page; Intellectual Property Office, Taipei, Taiwan.

(Continued)

*Primary Examiner* — Eric Goodman  
*Assistant Examiner* — Amy Wierenga  
(74) *Attorney, Agent, or Firm* — Ballard Spahr, LLP

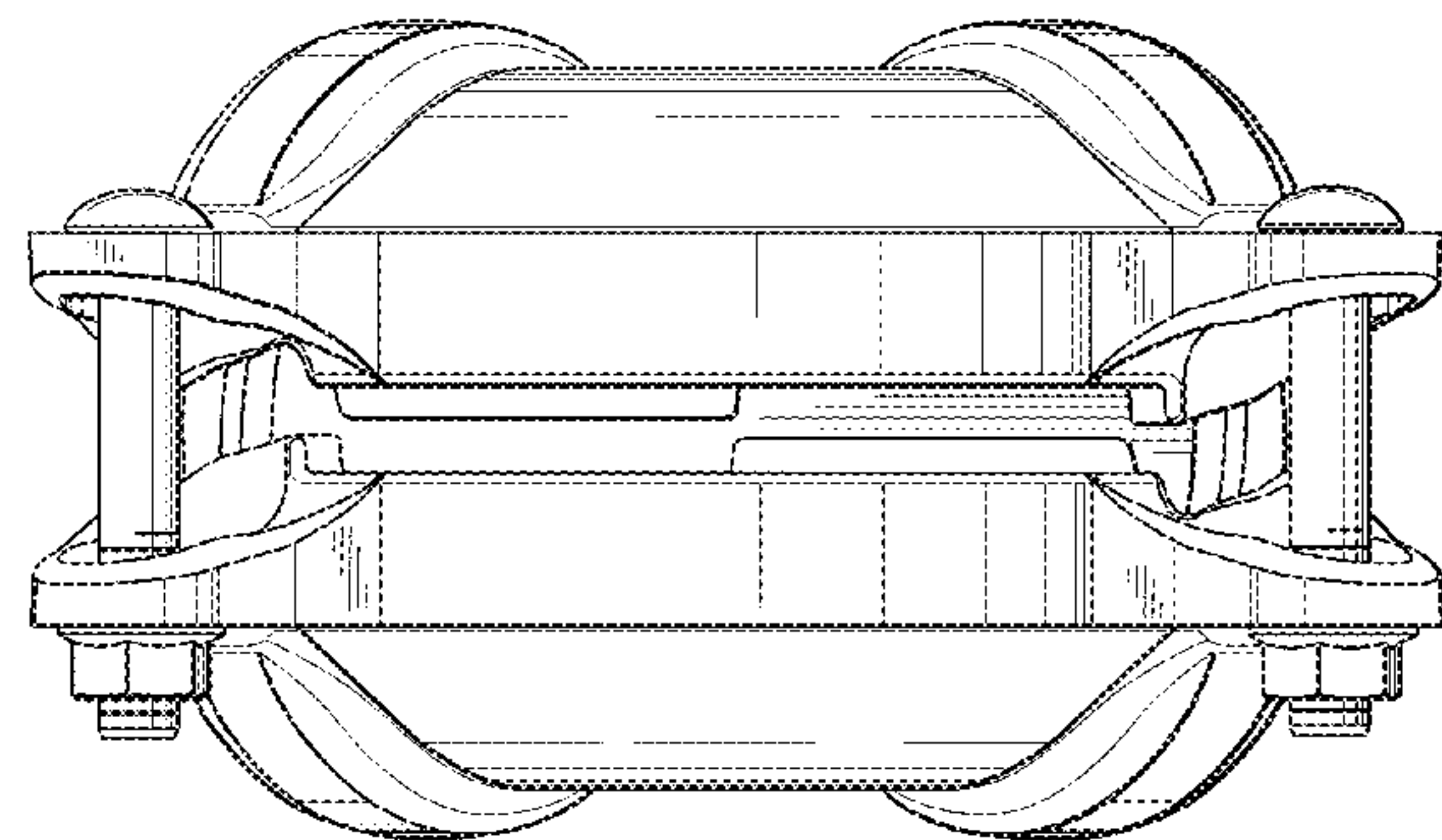
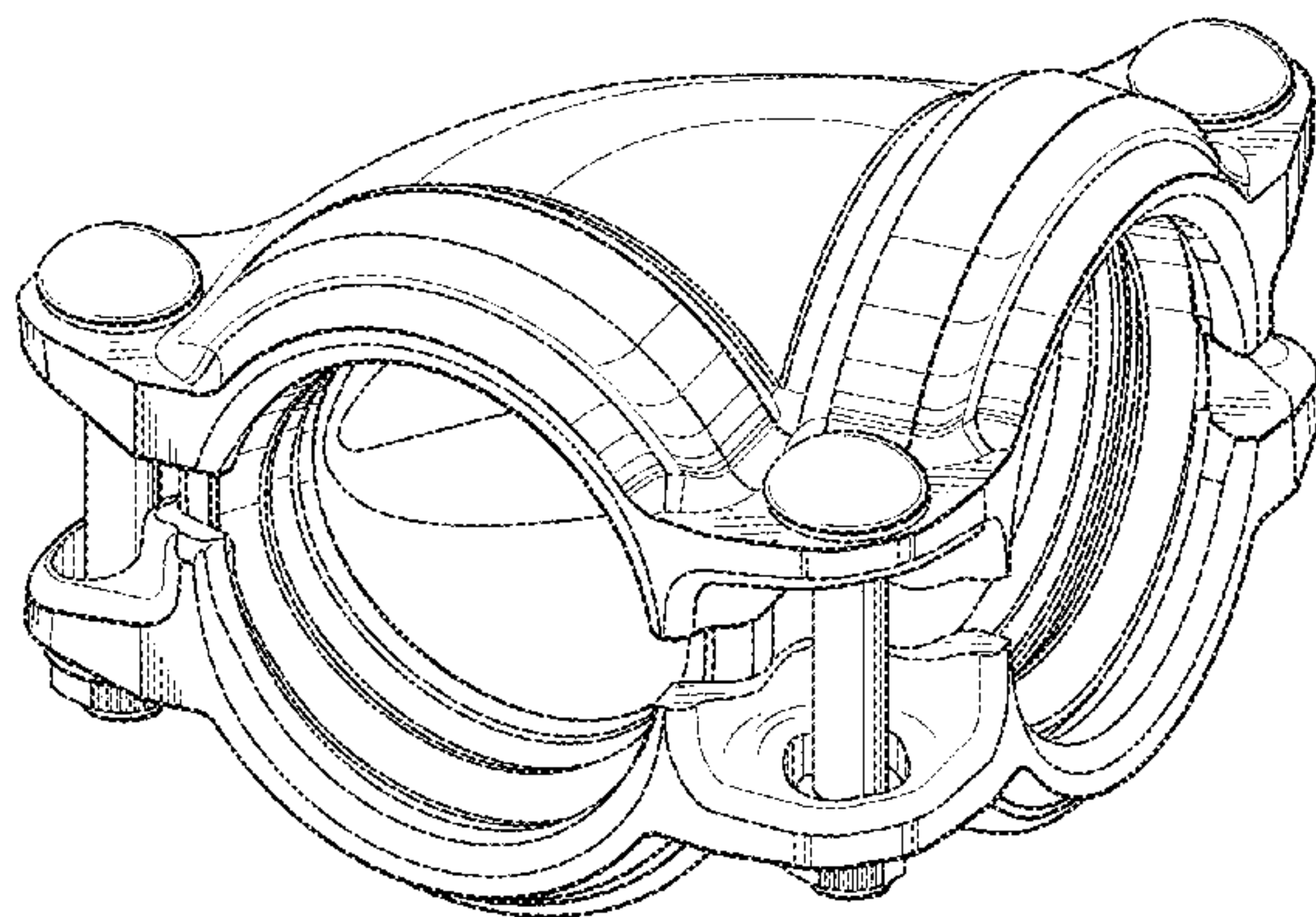
(57) **CLAIM**

We claim the ornamental design for a pipe fitting, as shown and described.

**DESCRIPTION**

FIG. 1 is an isometric frontal view of our design for a pipe fitting;  
FIG. 2 is a rear view of the pipe fitting shown in FIG. 1;  
FIG. 3 is a frontal right side view of the pipe fitting shown in FIG. 1, the left frontal side view being a mirror image thereof;  
FIG. 4 is a top view of the pipe fitting shown in FIG. 1; and,  
FIG. 5 is a bottom view of the pipe fitting shown in FIG. 1.

**1 Claim, 3 Drawing Sheets**



(56)

**References Cited**

U.S. PATENT DOCUMENTS

4,792,160 A 12/1988 Hwang  
 5,022,685 A 6/1991 Stiskin et al.  
 D334,050 S \* 3/1993 Foxlee ..... D23/263  
 5,452,922 A 9/1995 Ziu  
 5,786,054 A 7/1998 Platusich et al.  
 5,911,446 A \* 6/1999 McLennan ..... F16L 21/08  
 285/104  
 6,450,551 B1 9/2002 Lee  
 7,070,209 B2 7/2006 Collins  
 D583,444 S \* 12/2008 Nagle ..... D23/262  
 D583,916 S \* 12/2008 Madara ..... D23/265  
 D600,326 S \* 9/2009 Gibb ..... D23/265  
 7,798,535 B2 9/2010 Calhoun  
 D628,680 S \* 12/2010 Dole ..... D23/262  
 D680,629 S \* 4/2013 Beagen, Jr. .... D23/262  
 D680,630 S \* 4/2013 Beagen, Jr. .... D23/262  
 8,820,795 B2 \* 9/2014 Dole ..... F16L 17/04  
 285/133.21  
 D724,185 S \* 3/2015 Chiproot ..... D23/262

9,182,058 B2 \* 11/2015 Cygler, III ..... F16L 17/04  
 2012/0256418 A1 \* 10/2012 Horgan ..... F16B 5/0275  
 285/420  
 2013/0200610 A1 \* 8/2013 Cygler, III ..... F16L 17/04  
 285/132.1  
 2013/0327415 A1 12/2013 Camp, Jr. et al.  
 2015/0021911 A1 \* 1/2015 Bowman ..... F16L 21/005  
 285/340

FOREIGN PATENT DOCUMENTS

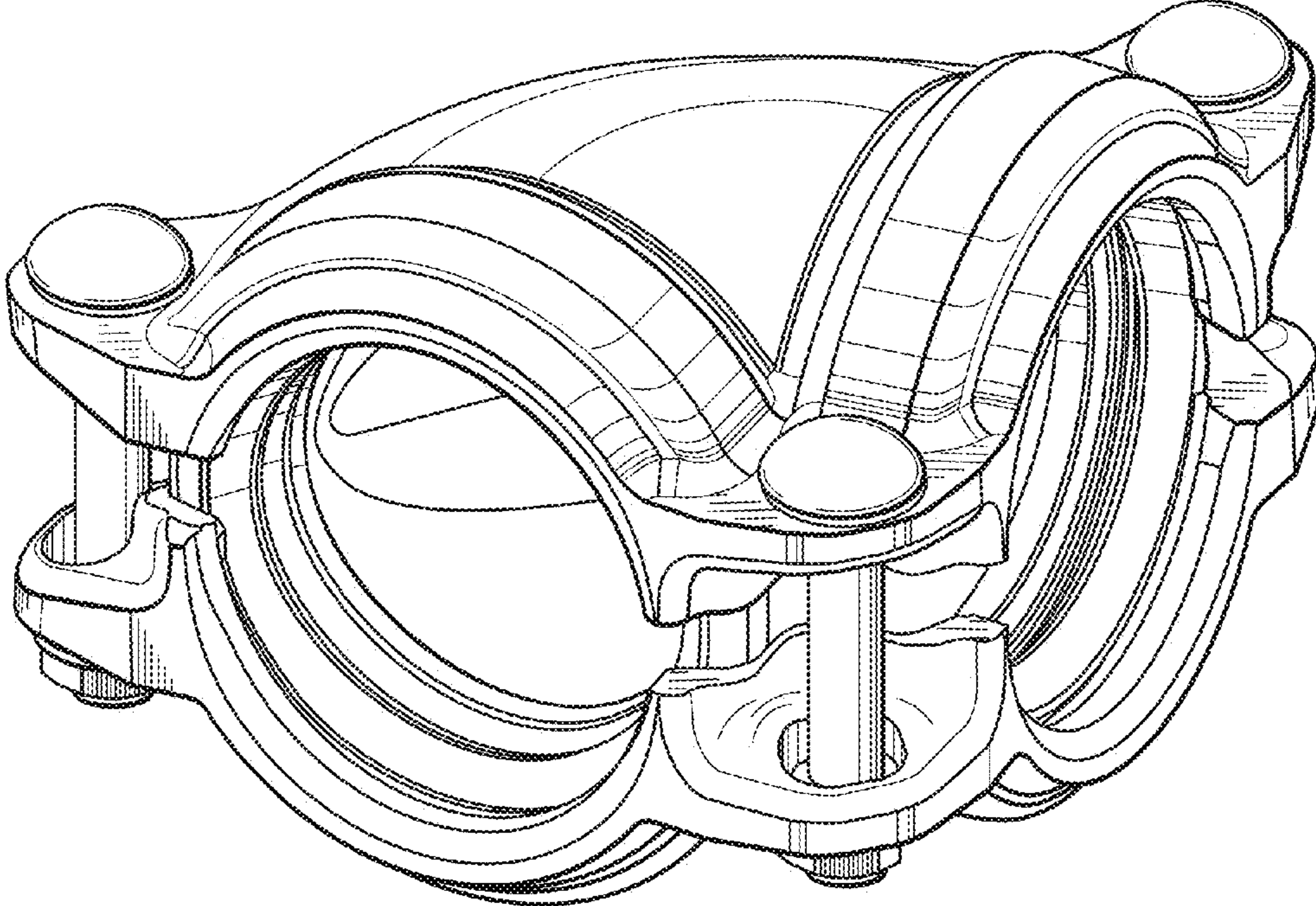
KR 1020090066767 6/2009  
 TW 201339461 A 10/2013  
 WO 9703811 2/1997

OTHER PUBLICATIONS

Author Unknown, English translation of Search Report for Design Patent Application from counterpart Taiwan patent application No. 104306078, Jun. 1, 2016, 1 page, Intellectual Property Office, Taipei, Taiwan.

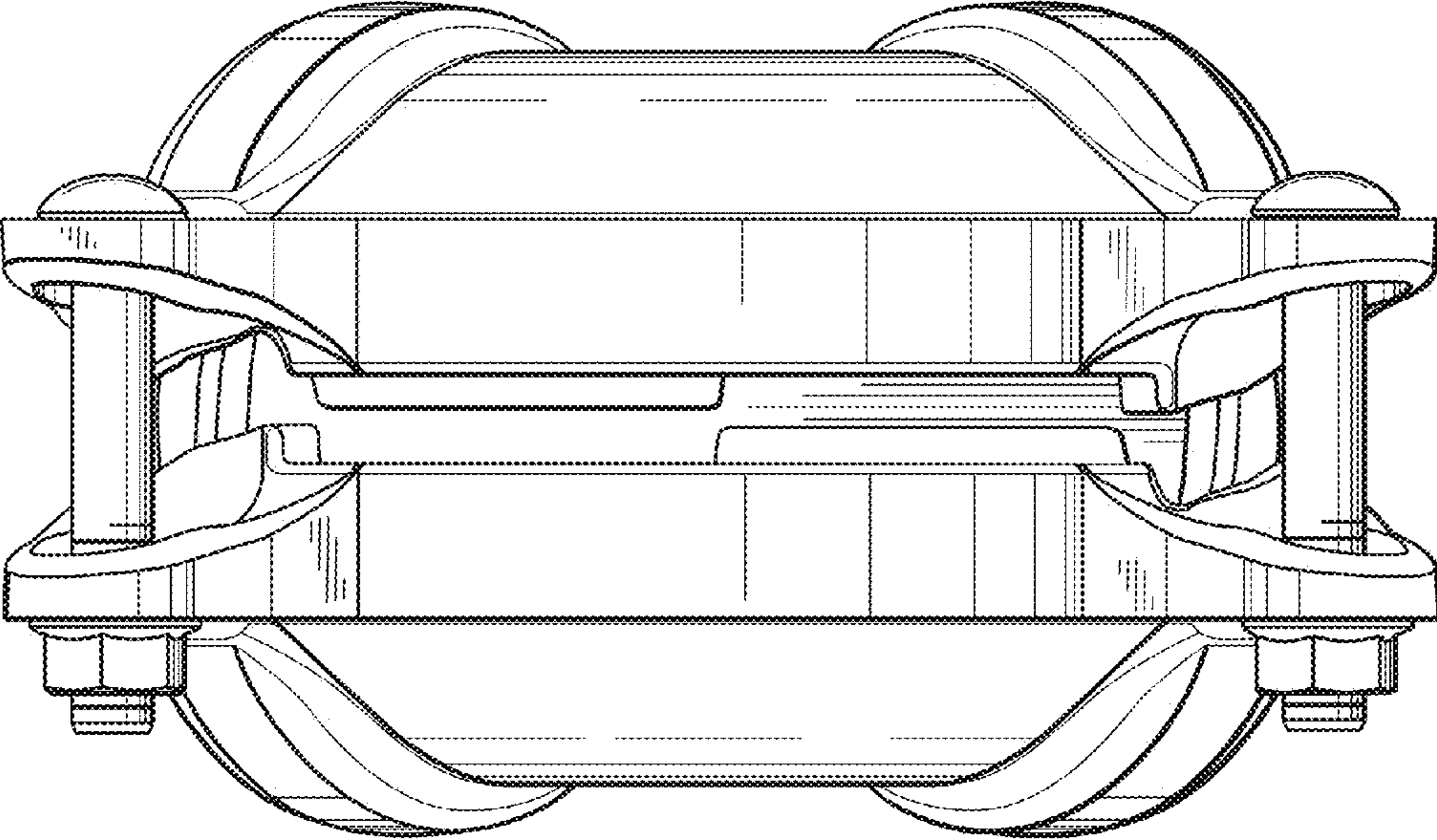
\* cited by examiner

*FIG. 1*

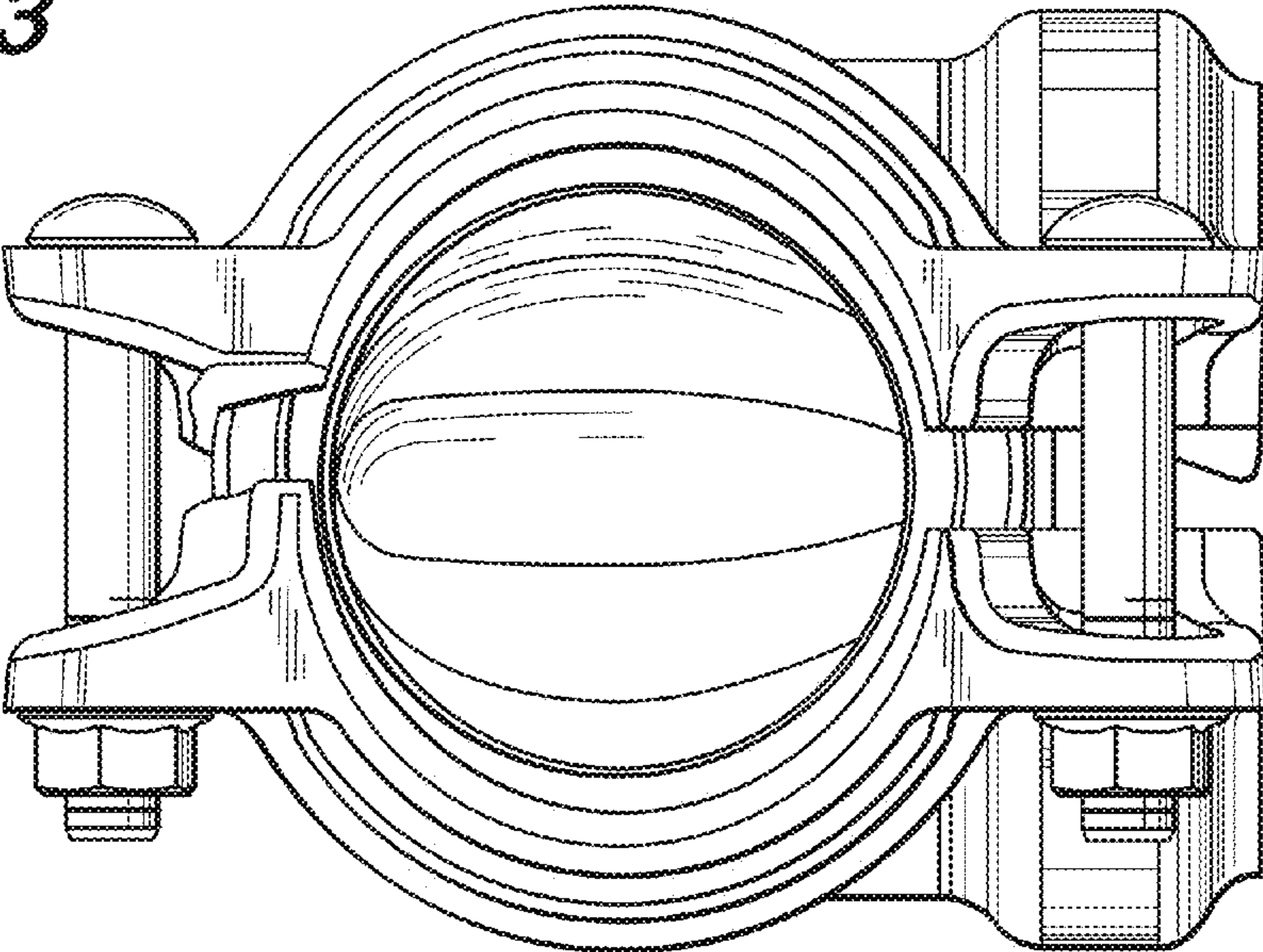




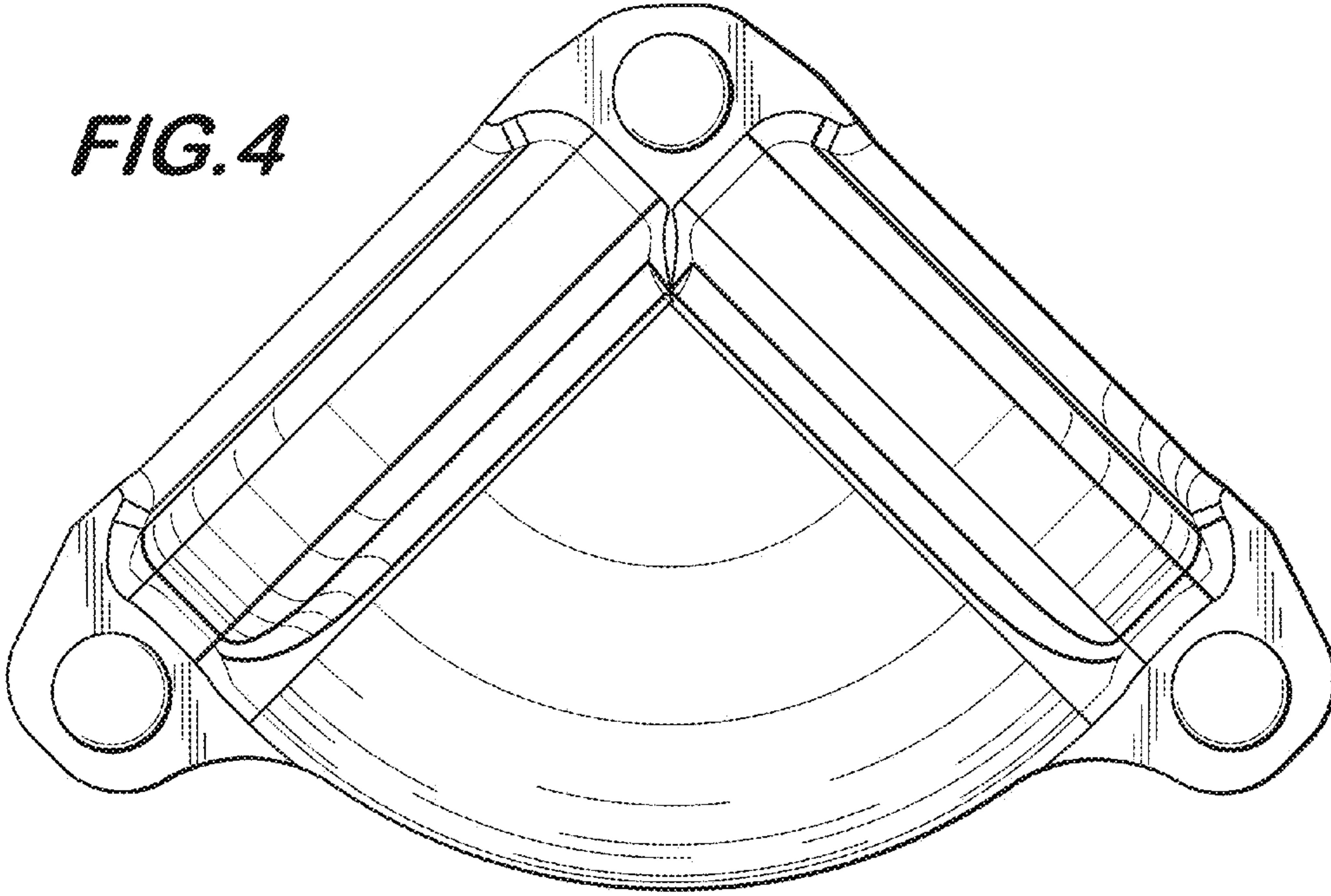
**FIG. 2**



**FIG. 3**



**FIG.4**



**FIG.5**

