



US00D767104S

(12) **United States Design Patent** (10) **Patent No.:** **US D767,104 S**
Salser (45) **Date of Patent:** **** Sep. 20, 2016**

(54) **METER ADAPTER**

(71) Applicant: **Floyd Stanley Salser**, New Orleans, LA (US)

(72) Inventor: **Floyd Stanley Salser**, New Orleans, LA (US)

(73) Assignee: **OW Investors, LLC**, Ocala, FL (US)

(**) Term: **15 Years**

(21) Appl. No.: **29/526,717**

(22) Filed: **May 13, 2015**

Related U.S. Application Data

(63) Continuation-in-part of application No. 29/480,517, filed on Jan. 27, 2014, now abandoned, and a continuation-in-part of application No. 14/253,824, filed on Apr. 15, 2014.

(51) **LOC (10) Cl.** **23-01**

(52) **U.S. Cl.**
USPC **D23/262; D23/265**

(58) **Field of Classification Search**
USPC D23/262, 265
CPC .. G01F 25/0007; G01F 15/185; F16L 19/06; F16L 19/0212; F16L 55/134; F16L 27/12; F16L 25/12; F16L 41/16; F16K 7/10; F16K 43/00; B05B 15/068; B05B 15/10; E03B 7/072; E03B 7/09; Y10S 285/906
See application file for complete search history.

(56) **References Cited**

U.S. PATENT DOCUMENTS

2,058,735 A *	10/1936	Stallard	F16L 19/06 285/148.19
7,421,908 B2 *	9/2008	Jarrell	G01F 1/58 73/861.12
D710,485 S *	8/2014	Nudo	D23/262
9,038,258 B2 *	5/2015	Liao	F16L 19/06 29/447
9,103,706 B2 *	8/2015	Ueda	G01F 1/6842
9,174,227 B2 *	11/2015	Robertson	B05B 1/267
9,205,445 B2 *	12/2015	Fang	B05B 17/0607

* cited by examiner

Primary Examiner — Antoine D Davis

(74) *Attorney, Agent, or Firm* — Monty Simmons; Simmons Patents

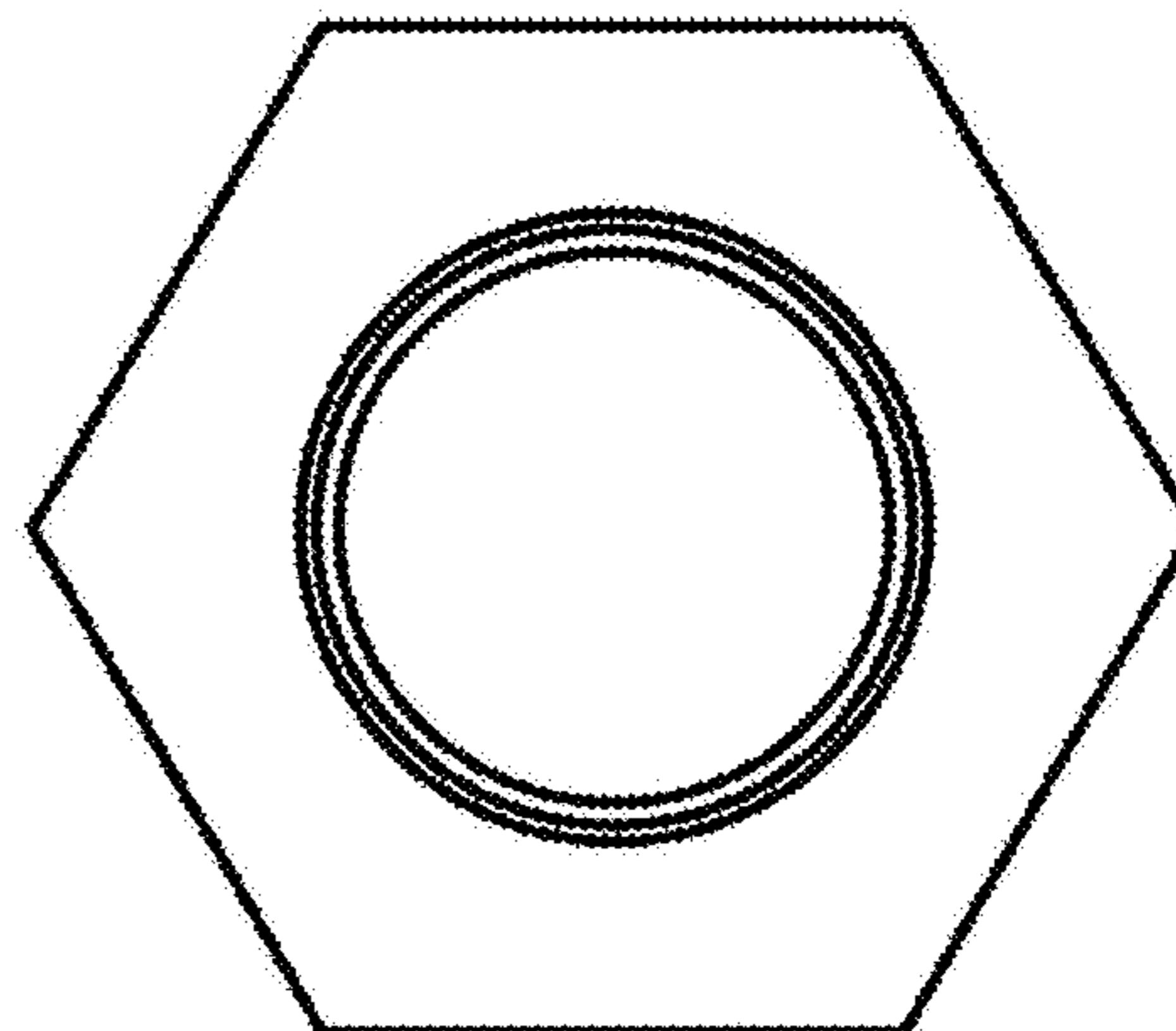
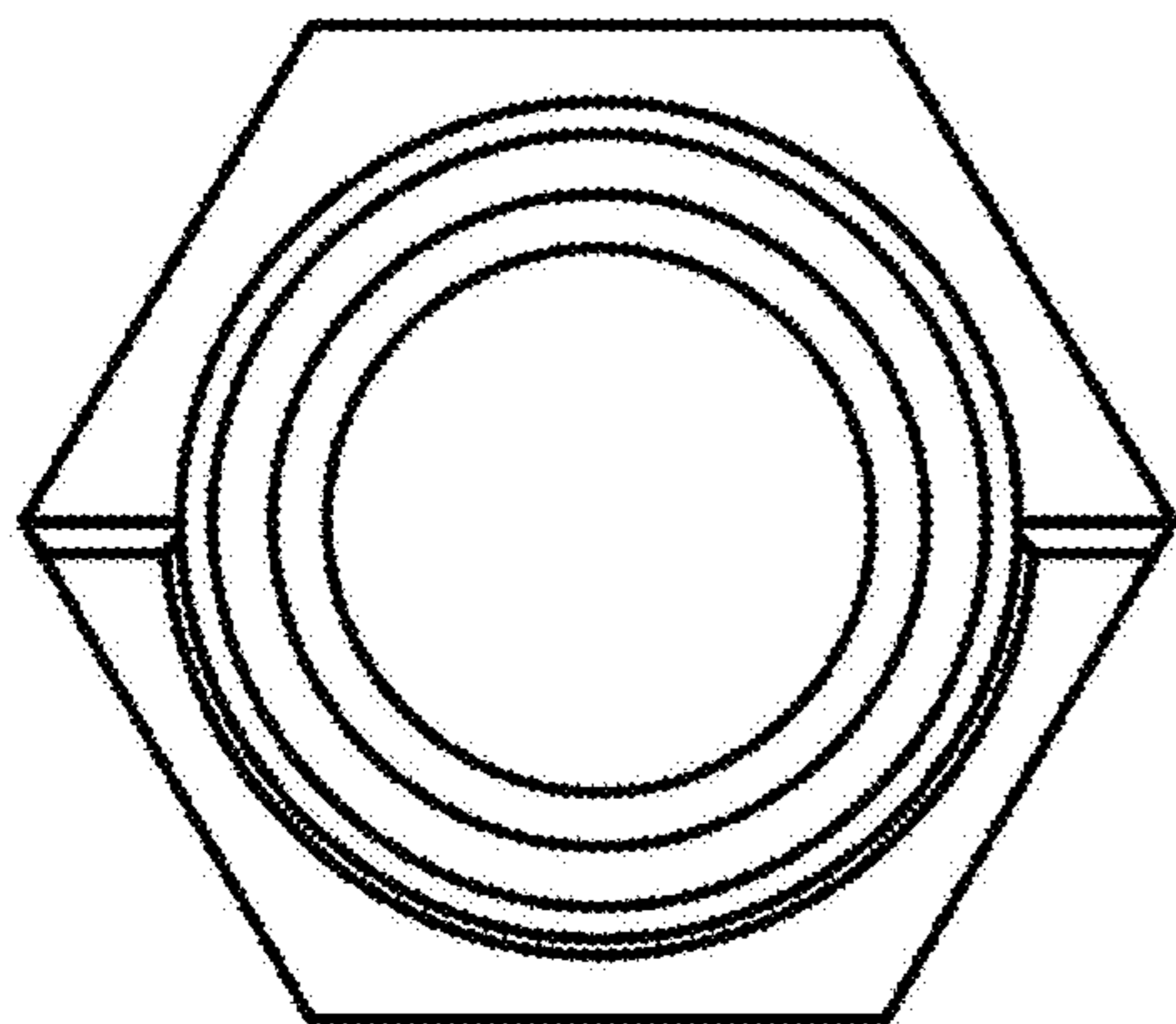
(57) **CLAIM**

The ornamental design for a meter adapter, as shown and described.

DESCRIPTION

FIG. 1 is an elevated front perspective thereof;
FIG. 2 is a front elevational view thereof;
FIG. 3 is a rear elevational view thereof;
FIG. 4 is a top plan view thereof;
FIG. 5 is a bottom plan view thereof;
FIG. 6 is a left elevational view thereof; and,
FIG. 7 is a right side elevational view thereof.

1 Claim, 4 Drawing Sheets



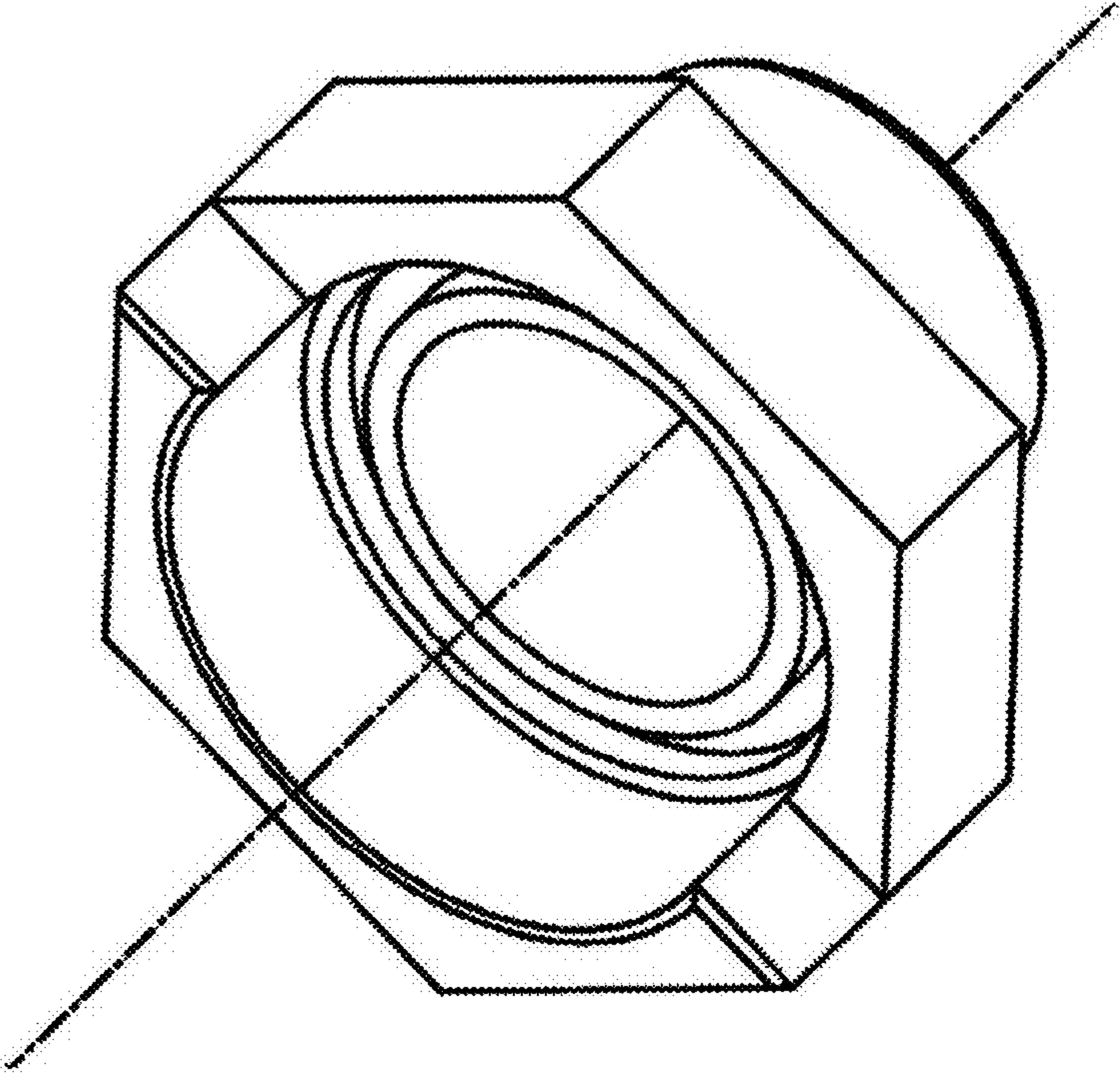


Fig. 1

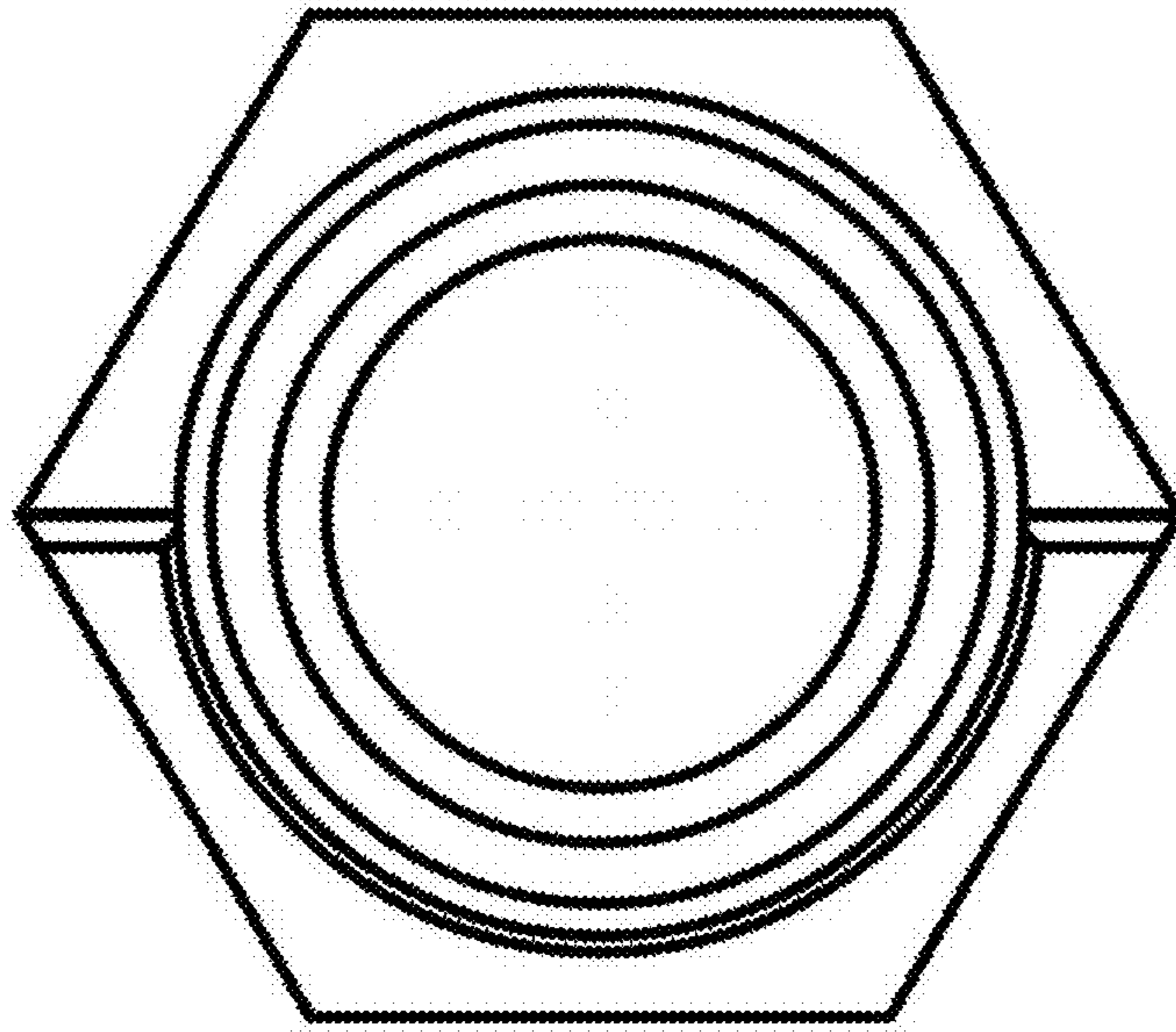


Fig. 2

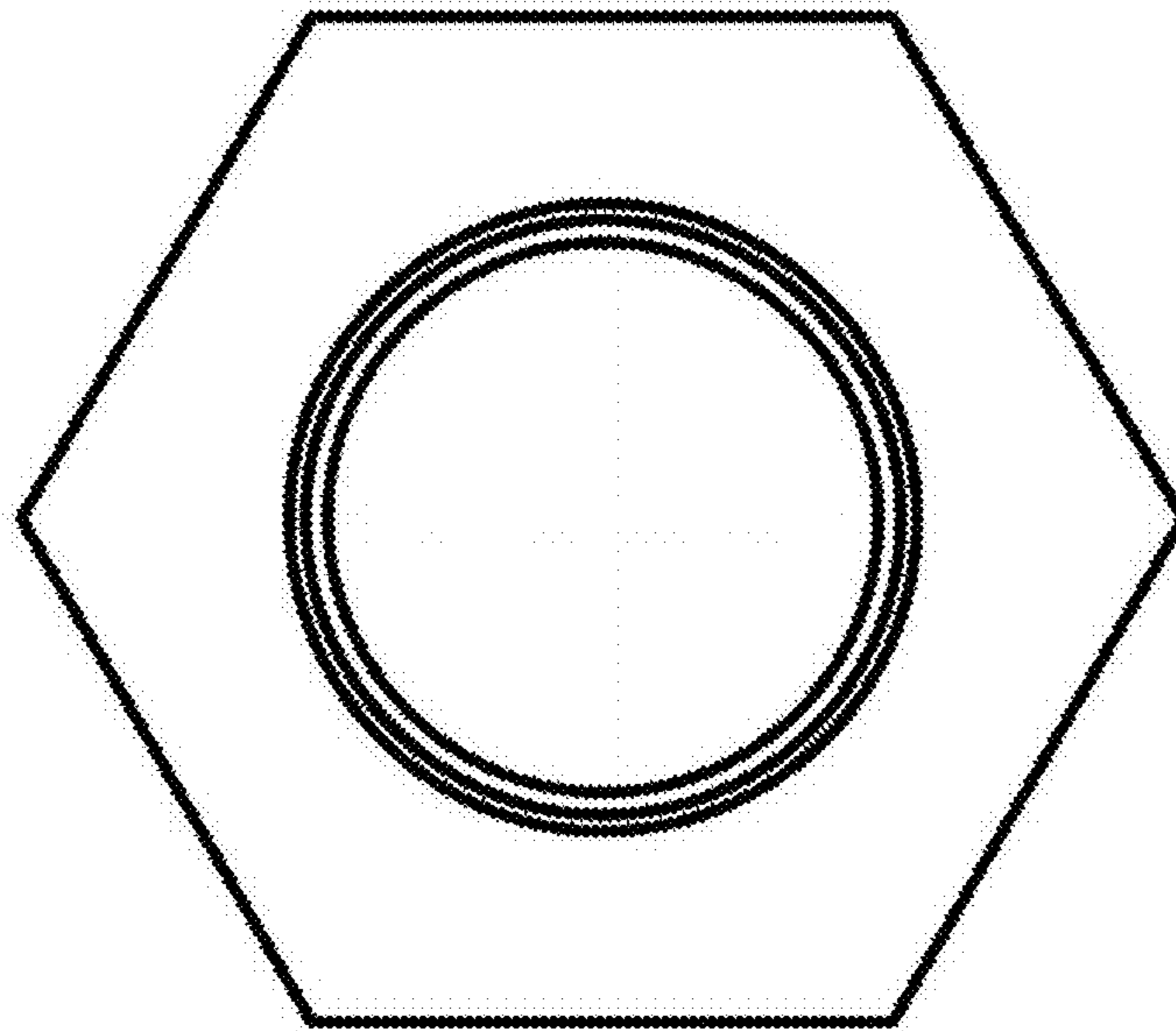


Fig. 3

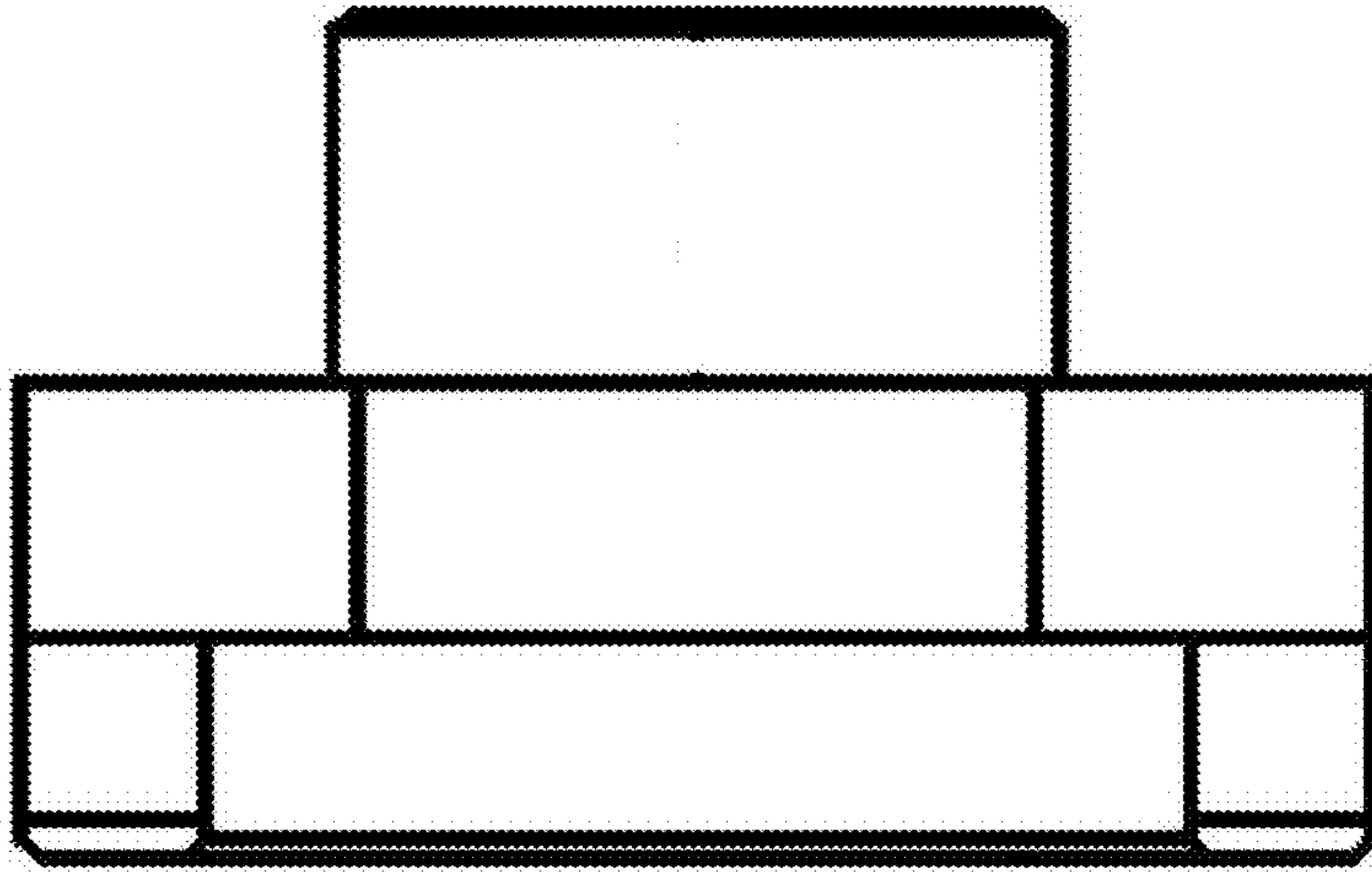


Fig. 4

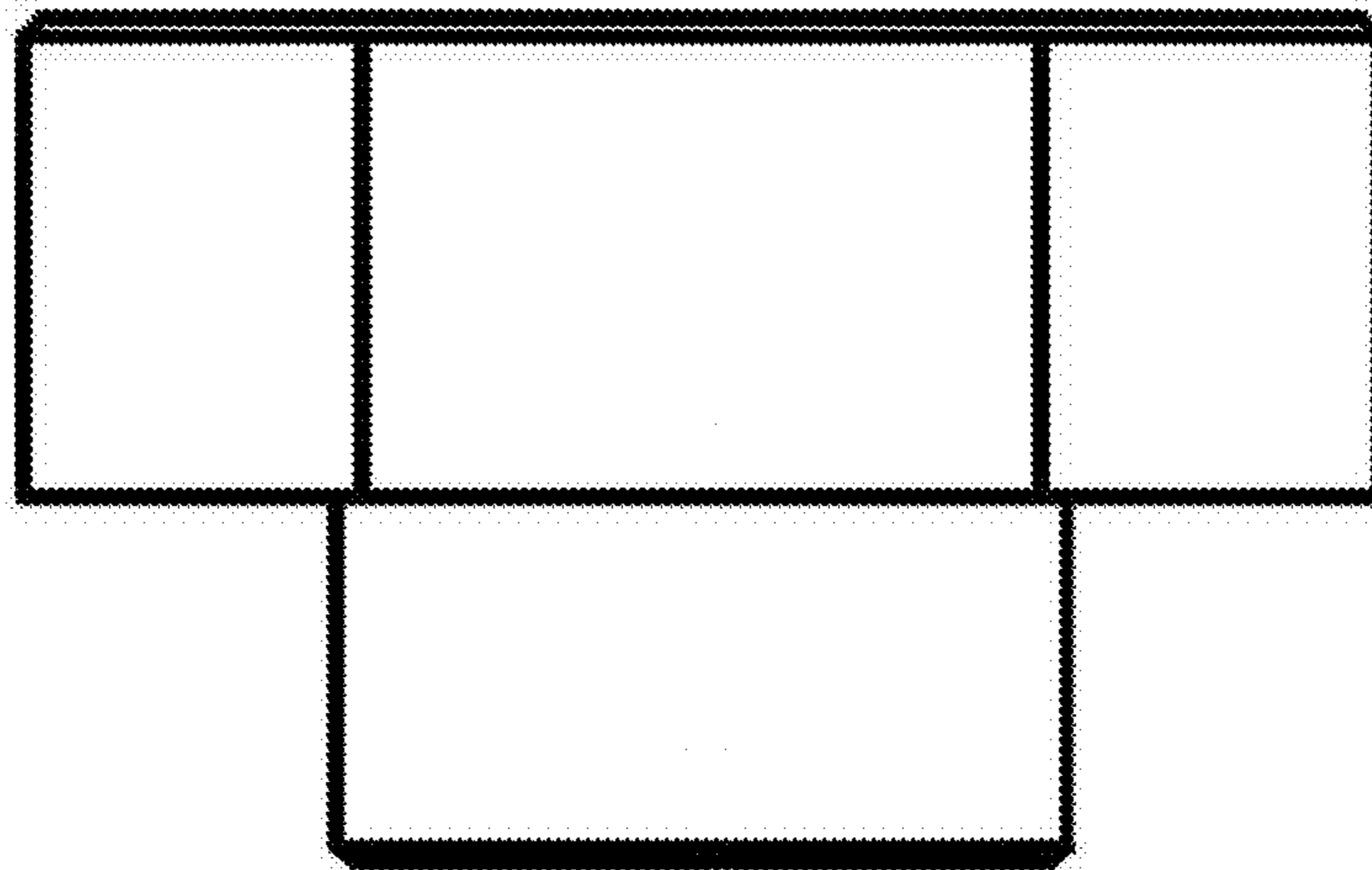


Fig. 5

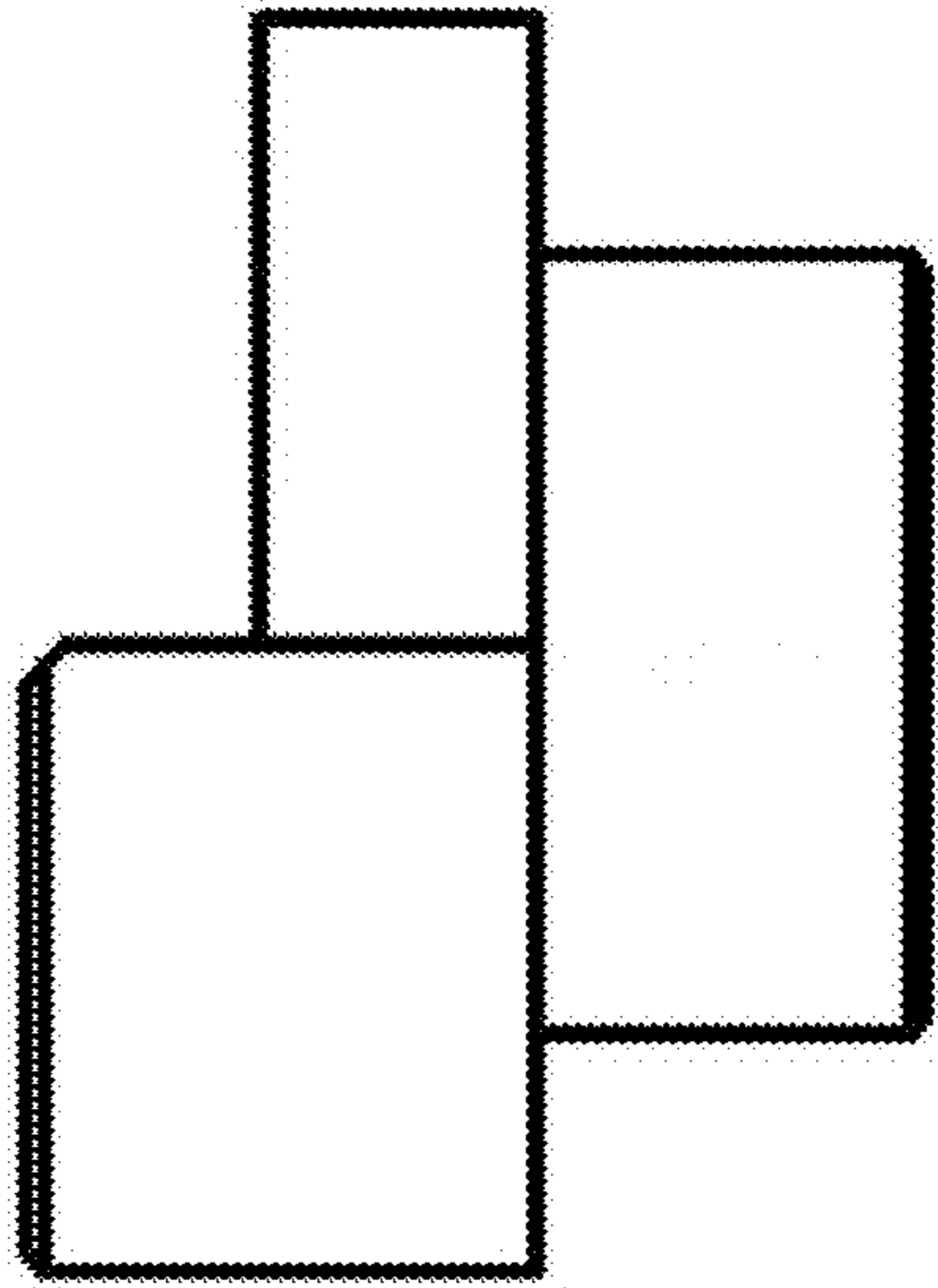


Fig. 6

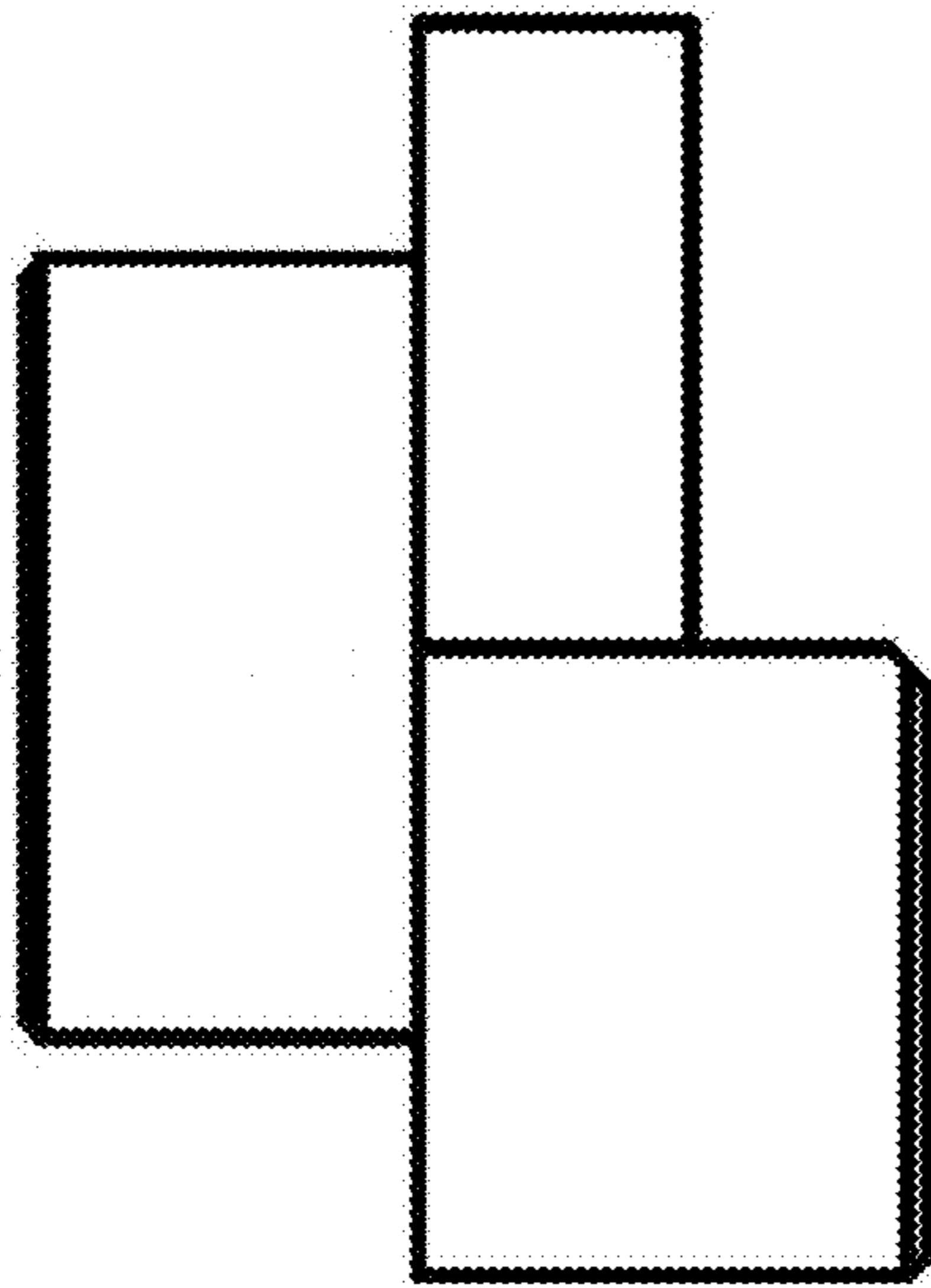


Fig. 7