



US00D767103S

(12) **United States Design Patent** (10) **Patent No.:** **US D767,103 S**
Sewell et al. (45) **Date of Patent:** **** Sep. 20, 2016**

(54) **PIPE COUPLING SEGMENT**
(71) Applicant: **Victaulic Company**, Easton, PA (US)
(72) Inventors: **Mark J. Sewell**, Bethlehem, PA (US);
Randy L. Chase, Bethlehem, PA (US)
(73) Assignee: **Victaulic Company**, Easton, PA (US)
(**) Term: **14 Years**
(21) Appl. No.: **29/526,663**
(22) Filed: **May 12, 2015**
(51) **LOC (10) Cl.** **23-01**
(52) **U.S. Cl.**
USPC **D23/262**
(58) **Field of Classification Search**
USPC D23/259-263, 264-265, 266, 269
CPC F16L 17/025; F16L 17/035; F16L 17/04;
F16L 19/086; F16L 23/18; F16L 27/06;
F16L 37/091; F16L 41/021; F16L 55/172;
F16J 15/2418; F16J 15/3256; F16J 15/3404;
F16J 15/187; F16J 15/36
See application file for complete search history.

4,018,979 A 4/1977 Young
4,461,498 A 7/1984 Kunsman
4,633,913 A 1/1987 Carty et al.
4,792,160 A 12/1988 Hwang
5,022,685 A 6/1991 Stiskin et al.
5,452,922 A 9/1995 Ziu
5,786,054 A 7/1998 Platusich et al.
6,450,551 B1 9/2002 Lee
7,070,209 B2 7/2006 Collins

(Continued)

FOREIGN PATENT DOCUMENTS

KR 100315861 11/2001
KR 1020090007813 1/2009

(Continued)

Primary Examiner — Eric Goodman
Assistant Examiner — Amy Wierenga
(74) *Attorney, Agent, or Firm* — Ballard Spahr LLP

(57) **CLAIM**

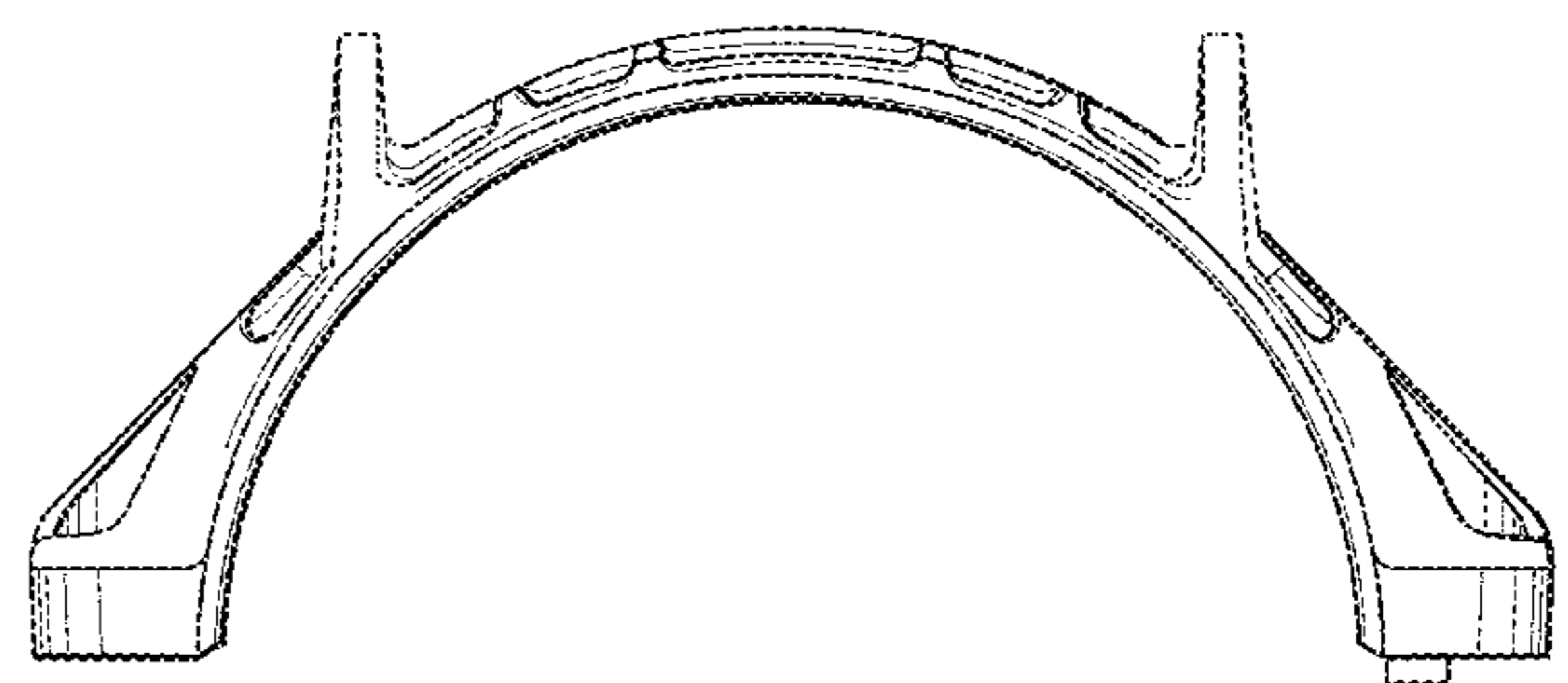
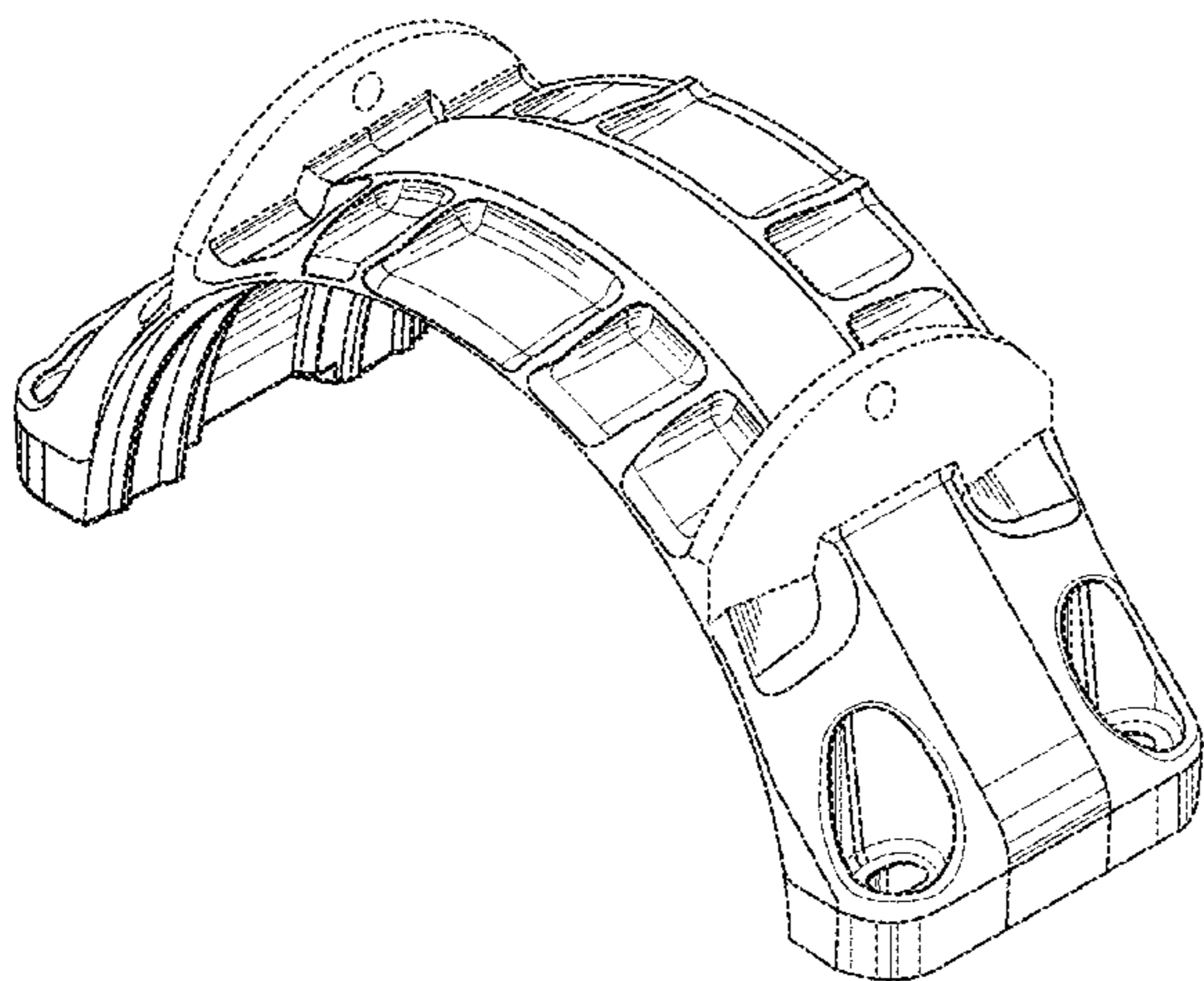
We claim the ornamental design for a pipe coupling segment, as shown and described.

DESCRIPTION

FIG. 1 is an isometric view of our design for a pipe coupling segment;
FIG. 2 is a top view of pipe coupling segment shown in FIG. 1;
FIG. 3 is a bottom view the pipe coupling segment shown in FIG. 1;
FIG. 4 is a front view of the pipe coupling segment shown in FIG. 1, the rear view being a mirror image thereof;
FIG. 5 is a right end view of the pipe coupling segment shown in FIG. 1; and,
FIG. 6 is a left end view the pipe coupling segment shown in FIG. 1.
The broken lines depict portions of the pipe coupling segment that form no part of the claim.

1 Claim, 3 Drawing Sheets

(56) **References Cited**
U.S. PATENT DOCUMENTS
1,020,123 A 3/1912 Brampton et al.
1,203,989 A 11/1916 Dehn
1,287,108 A 12/1918 Robinson et al.
1,379,811 A 5/1921 Fyffe
1,770,271 A 7/1930 Hoppes
1,999,045 A 4/1935 Goetz
2,128,720 A 8/1938 Tweedale
2,412,394 A 12/1946 Giles
3,148,896 A 9/1964 Chu
3,517,701 A 6/1970 Smith
3,596,935 A 8/1971 McGeoch, Sr.
3,633,943 A 1/1972 Ramm et al.
3,825,286 A 7/1974 Henry, III
3,944,260 A 3/1976 Petroczky



(56)

References Cited

U.S. PATENT DOCUMENTS

D583,444 S * 12/2008 Nagle D23/262
D583,916 S * 12/2008 Madara D23/265
D590,923 S * 4/2009 Nagle D23/262
D607,550 S * 1/2010 Shah D23/262
D608,867 S * 1/2010 Henry D23/262
D612,461 S * 3/2010 Henry D23/262
D612,463 S * 3/2010 Shah D23/262
7,798,535 B2 9/2010 Calhoun
D629,084 S * 12/2010 Dole D23/262
D633,600 S * 3/2011 Madara D23/262
D674,064 S * 1/2013 Dole D23/262
D680,629 S * 4/2013 Beagen, Jr. D23/262
D685,884 S * 7/2013 Shah D23/262

D685,885 S * 7/2013 Shah D23/262
D685,886 S * 7/2013 Shah D23/262
D685,887 S * 7/2013 Madara D23/262
D731,031 S * 6/2015 Dole D23/262
D748,765 S * 2/2016 Sewell D23/262
D750,957 S * 3/2016 Cuvo D8/396
D754,306 S * 4/2016 Yesavage D23/262
D755,621 S * 5/2016 Madara D23/262
D756,212 S * 5/2016 Wilk, Jr. D23/262
2013/0327415 A1 12/2013 Camp, Jr. et al.

FOREIGN PATENT DOCUMENTS

KR 1020090066767 6/2009
WO 9703811 2/1997

* cited by examiner

FIG. 1

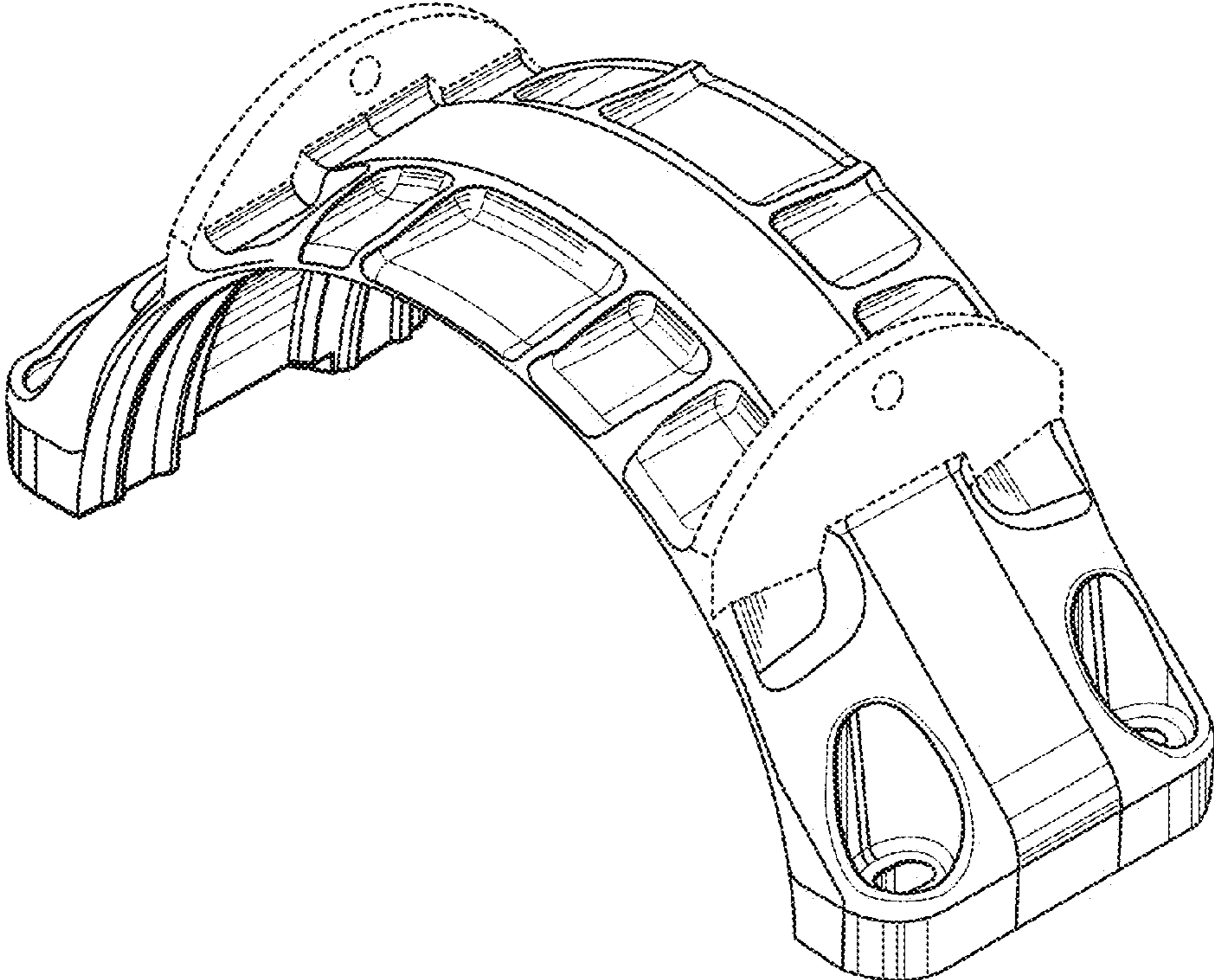


FIG. 2

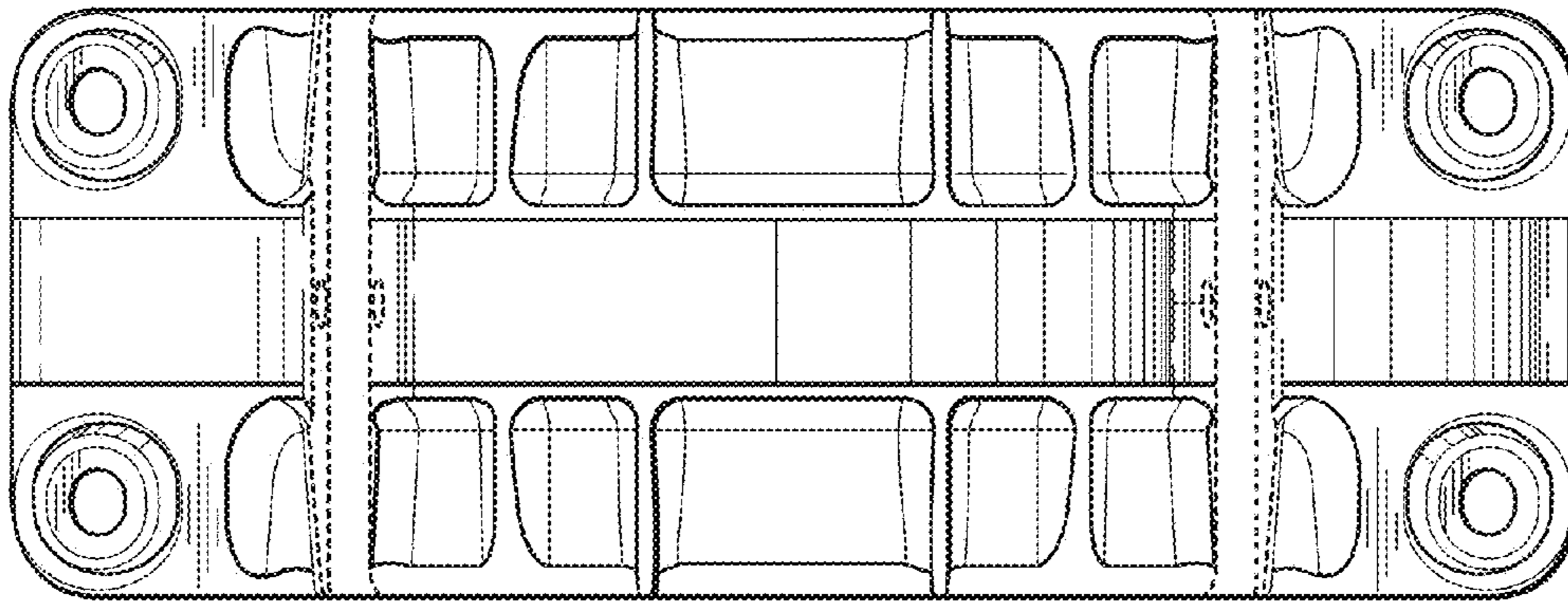


FIG. 3

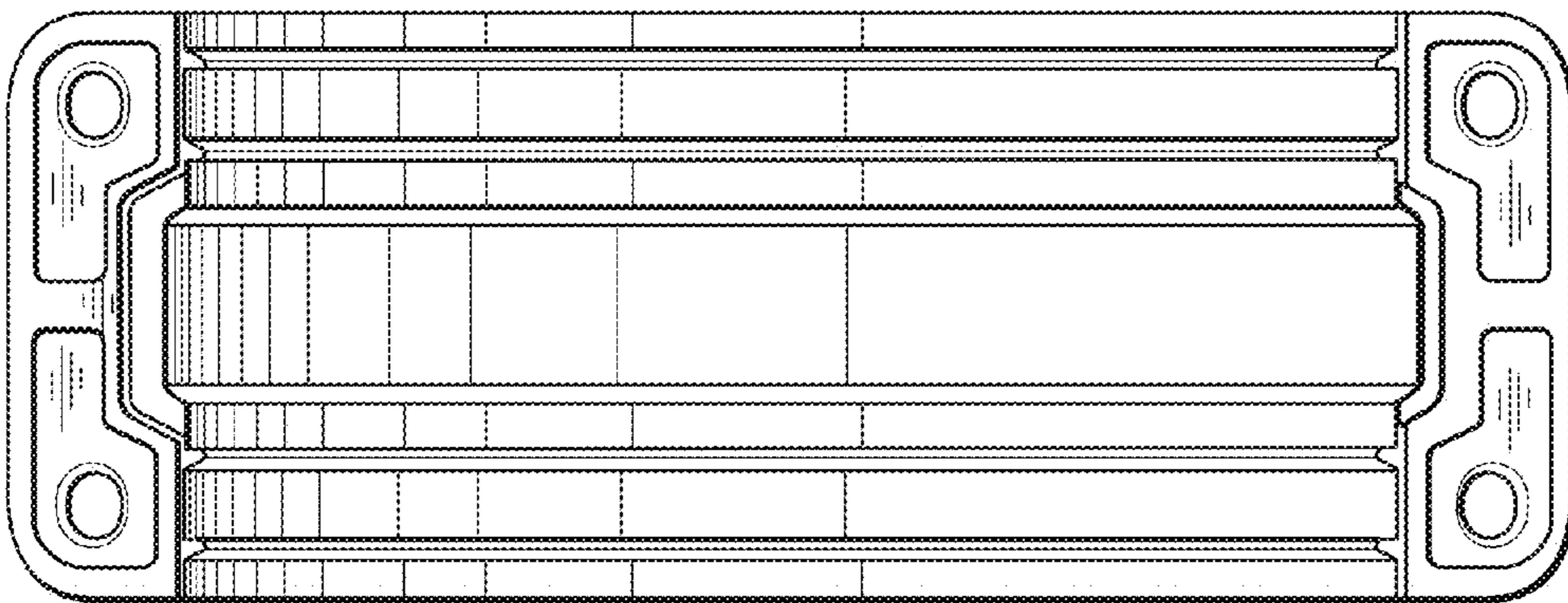


FIG.4

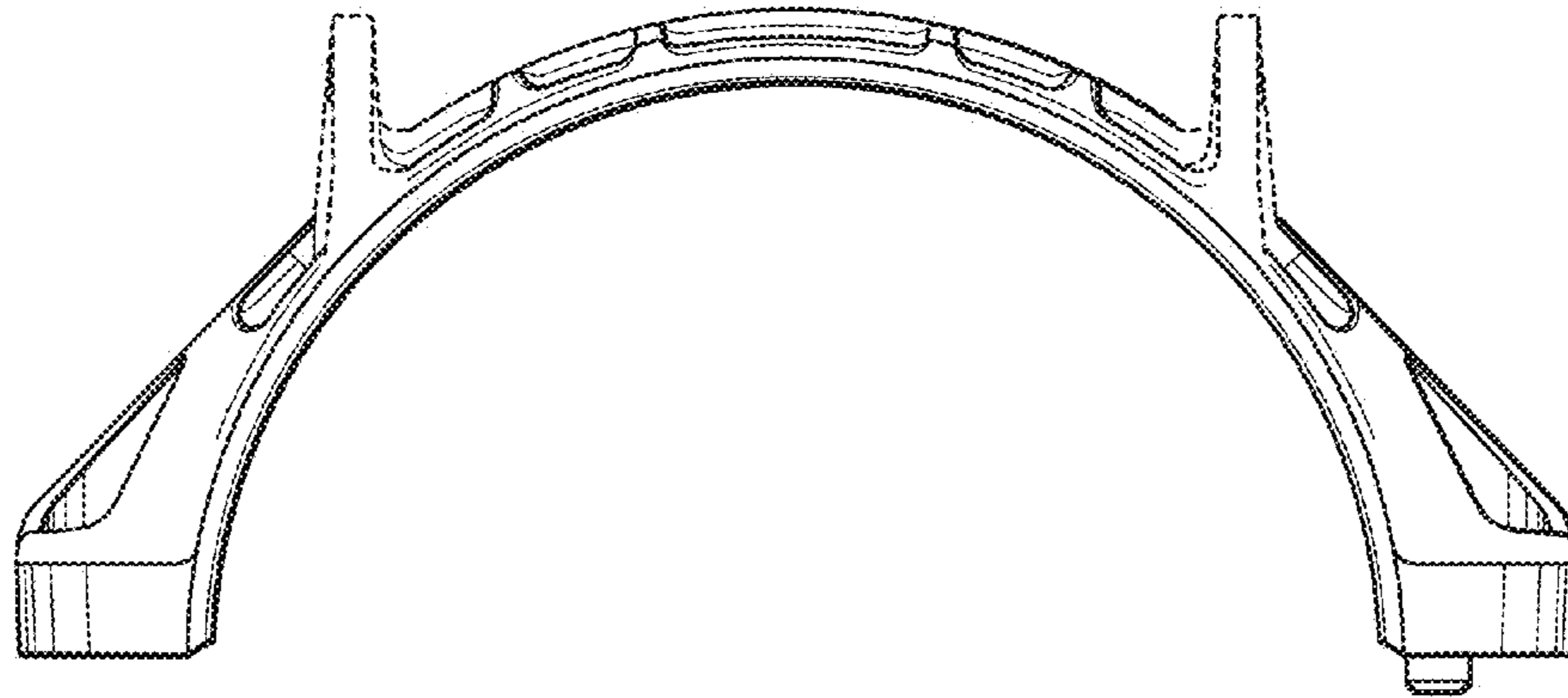


FIG.5

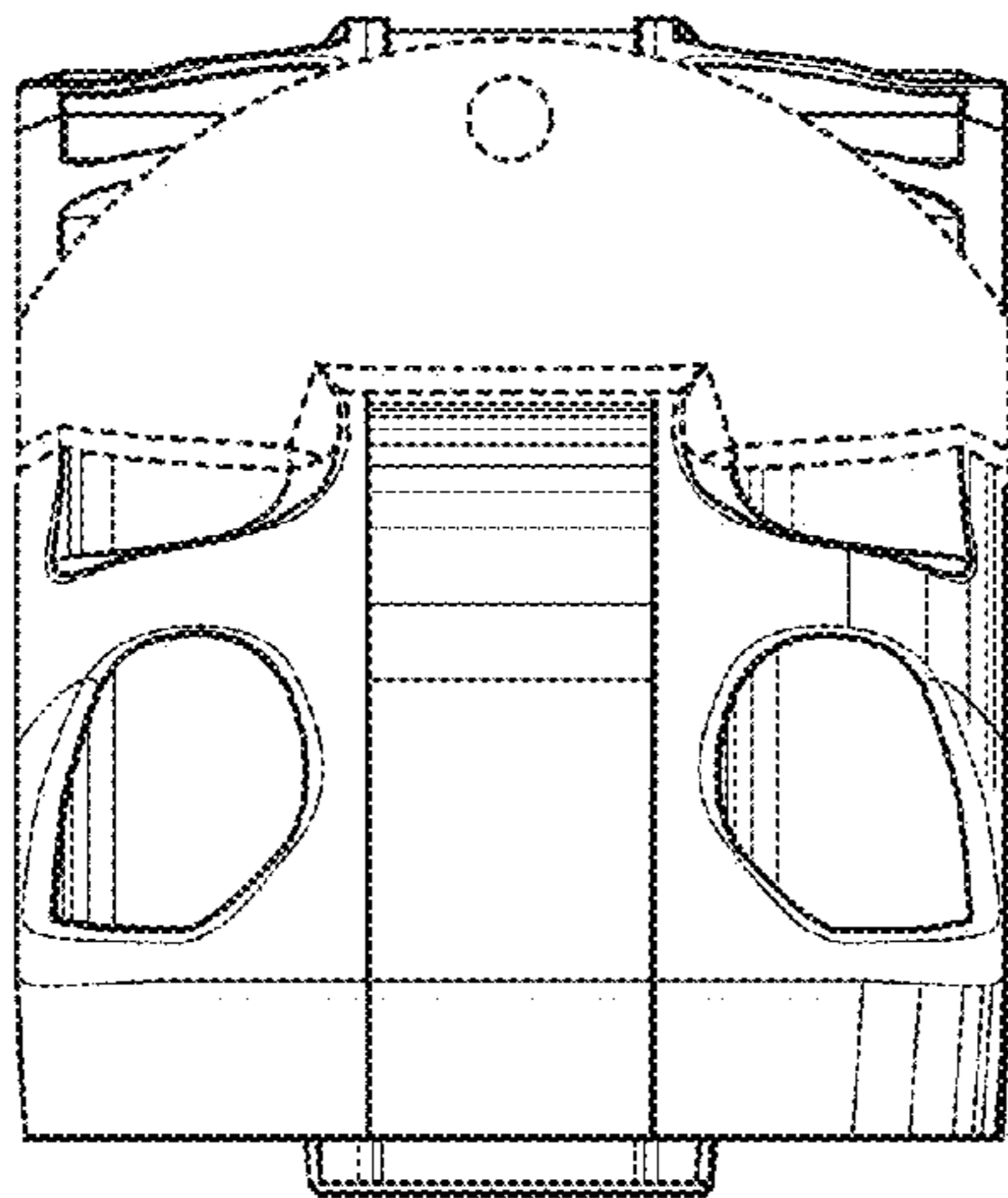


FIG.6

