



US00D767101S

(12) **United States Design Patent**
Kobayashi et al.

(10) **Patent No.:** **US D767,101 S**
(45) **Date of Patent:** **** Sep. 20, 2016**

(54) **SLEEVE FOR A SOLENOID VALVE**
(71) Applicant: **Mitsubishi Electric Corporation,**
Tokyo (JP)
(72) Inventors: **Yoshiki Kobayashi,** Tokyo (JP);
Takeshi Miura, Tokyo (JP)
(73) Assignee: **Mitsubishi Electric Corporation,**
Tokyo (JP)

6,199,823 B1 * 3/2001 Dahlgren F16K 31/0651
251/117
D620,561 S * 7/2010 Tracy D23/249
D701,944 S * 4/2014 Kahn D23/233
2003/0047702 A1 * 3/2003 Gunnarsson E21B 34/14
251/297
2015/0041552 A1 * 2/2015 Maraux G05D 23/022
236/101 R

(**) Term: **15 Years**

* cited by examiner

(21) Appl. No.: **29/527,239**

Primary Examiner — Cynthia Ramirez

(22) Filed: **May 18, 2015**

Assistant Examiner — Gino Colan

(30) **Foreign Application Priority Data**

(74) *Attorney, Agent, or Firm* — Studebaker & Brackett PC

Feb. 20, 2015 (JP) 2015-003475

(51) **LOC (10) Cl.** **23-01**

(52) **U.S. Cl.**
USPC **D23/249**

(58) **Field of Classification Search**
USPC D23/233–250; 251/129.15, 129.02,
251/129.19, 344, 117, 129.21, 129.07, 343,
251/309, 208, 209, 345; 137/375, 625.68,
137/493.2, 515.5, 493.4, 493.5, 496.6, 515,
137/426, 625.47, 625.65
CPC F16K 27/048; F16K 31/0651; F16K
31/0648; F16K 3/32
See application file for complete search history.

(57) **CLAIM**

The ornamental design for a sleeve for a solenoid valve, as shown and described.

(56) **References Cited**

DESCRIPTION

U.S. PATENT DOCUMENTS

2,996,078 A * 8/1961 Freeman F15B 13/04
137/625.65
5,979,492 A * 11/1999 Miller F16K 11/076
137/426

FIG. 1 is a front, top, and right side perspective view of a sleeve for a solenoid valve, showing our new design;
FIG. 2 is a front view thereof;
FIG. 3 is a rear view thereof;
FIG. 4 is a left side view thereof;
FIG. 5 is a right side view thereof;
FIG. 6 is a top view thereof;
FIG. 7 is a bottom view thereof;
FIG. 8 is a 8-8 Sectional view in use thereof; and,
FIG. 9 is a 9-9 Sectional View in use thereof.

1 Claim, 9 Drawing Sheets

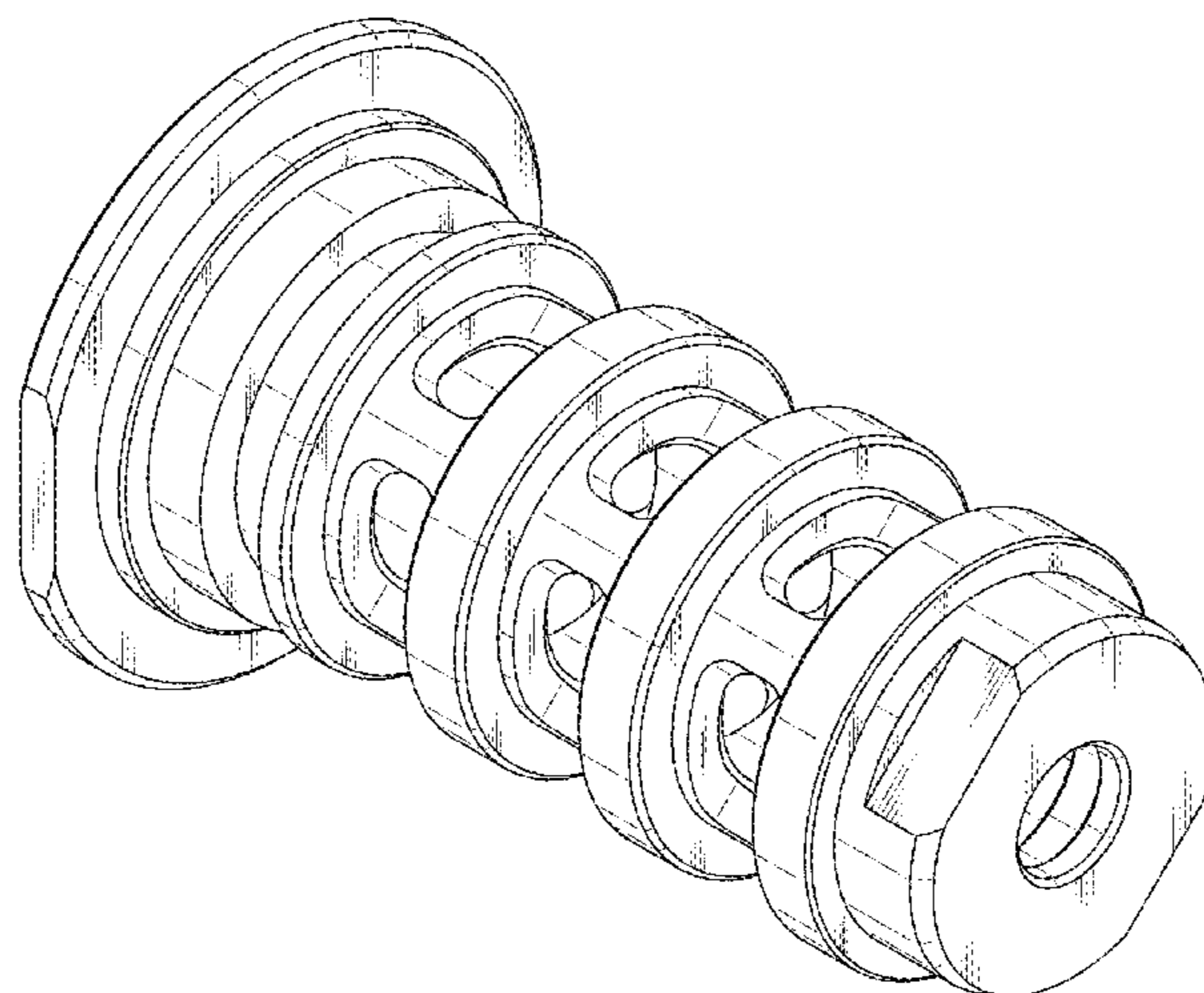


Fig. 1

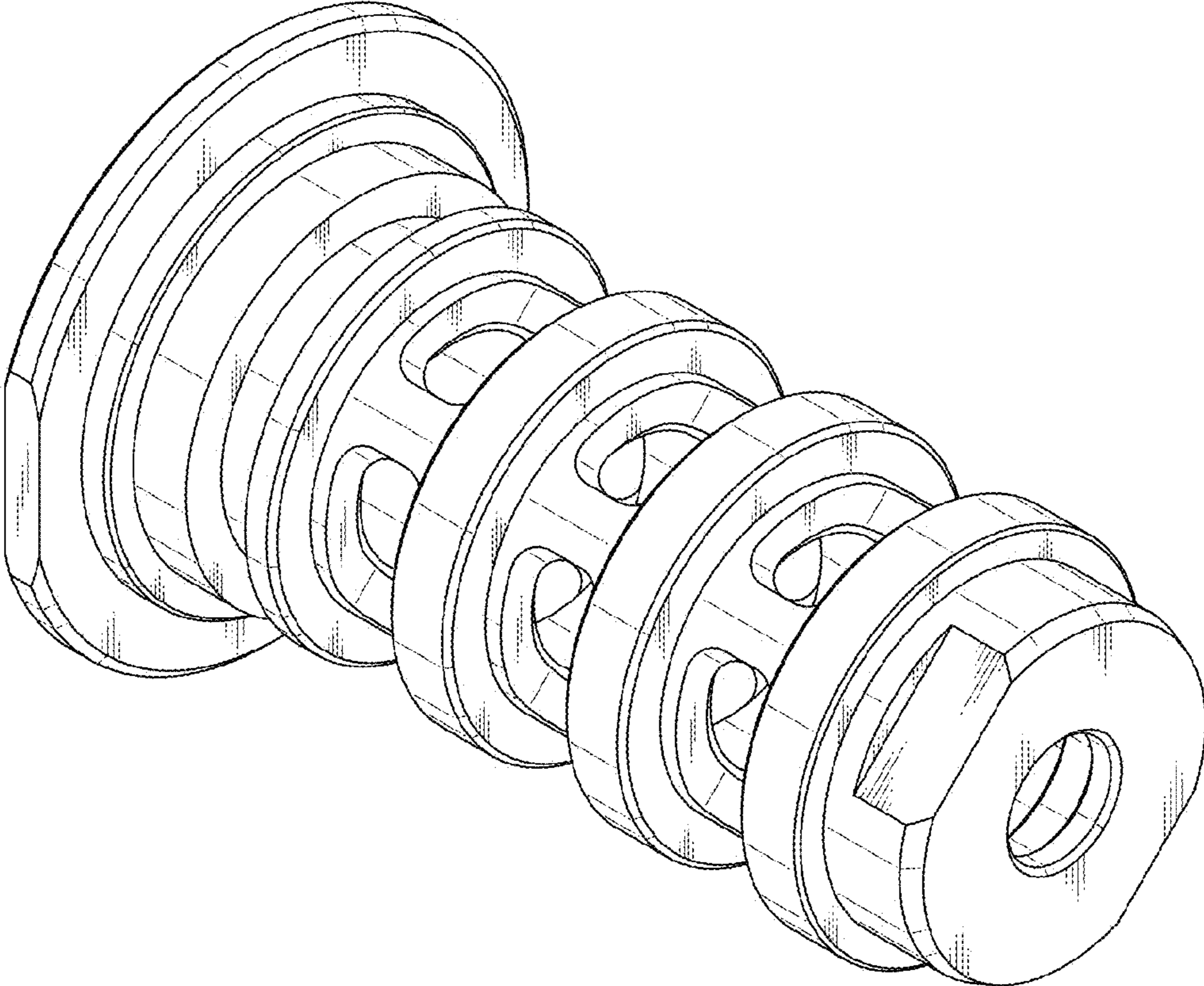


Fig. 2

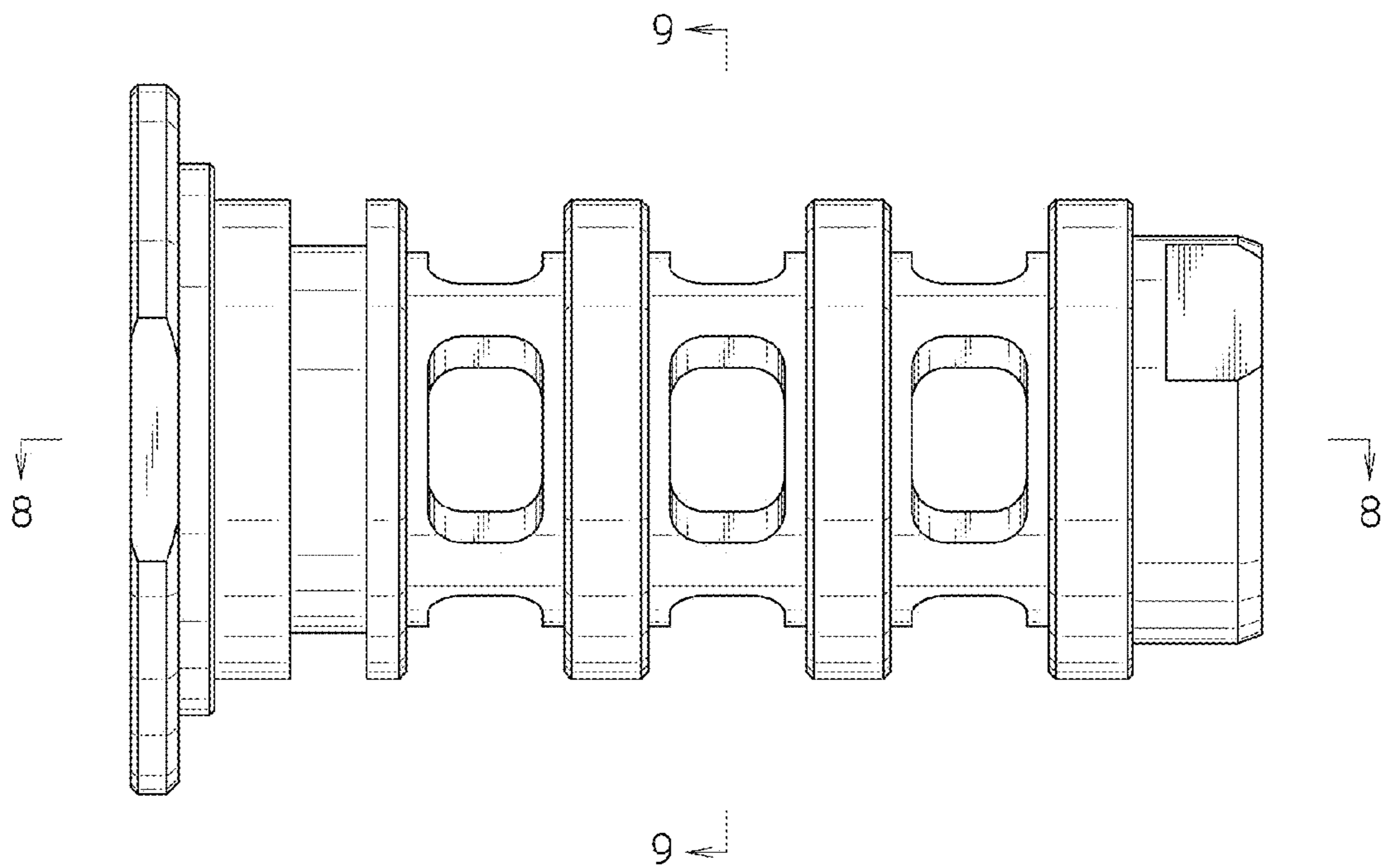


Fig. 3

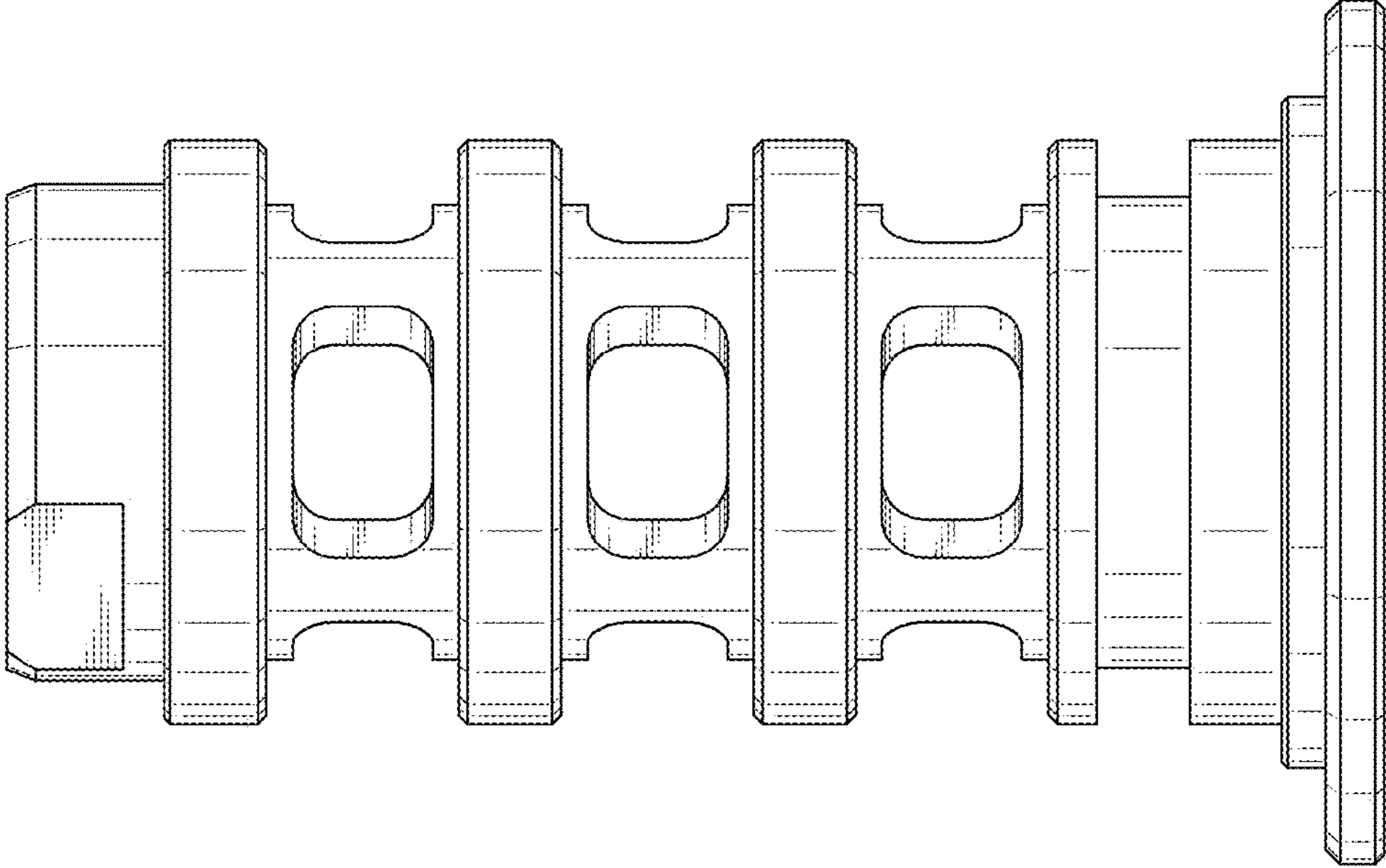


Fig. 4

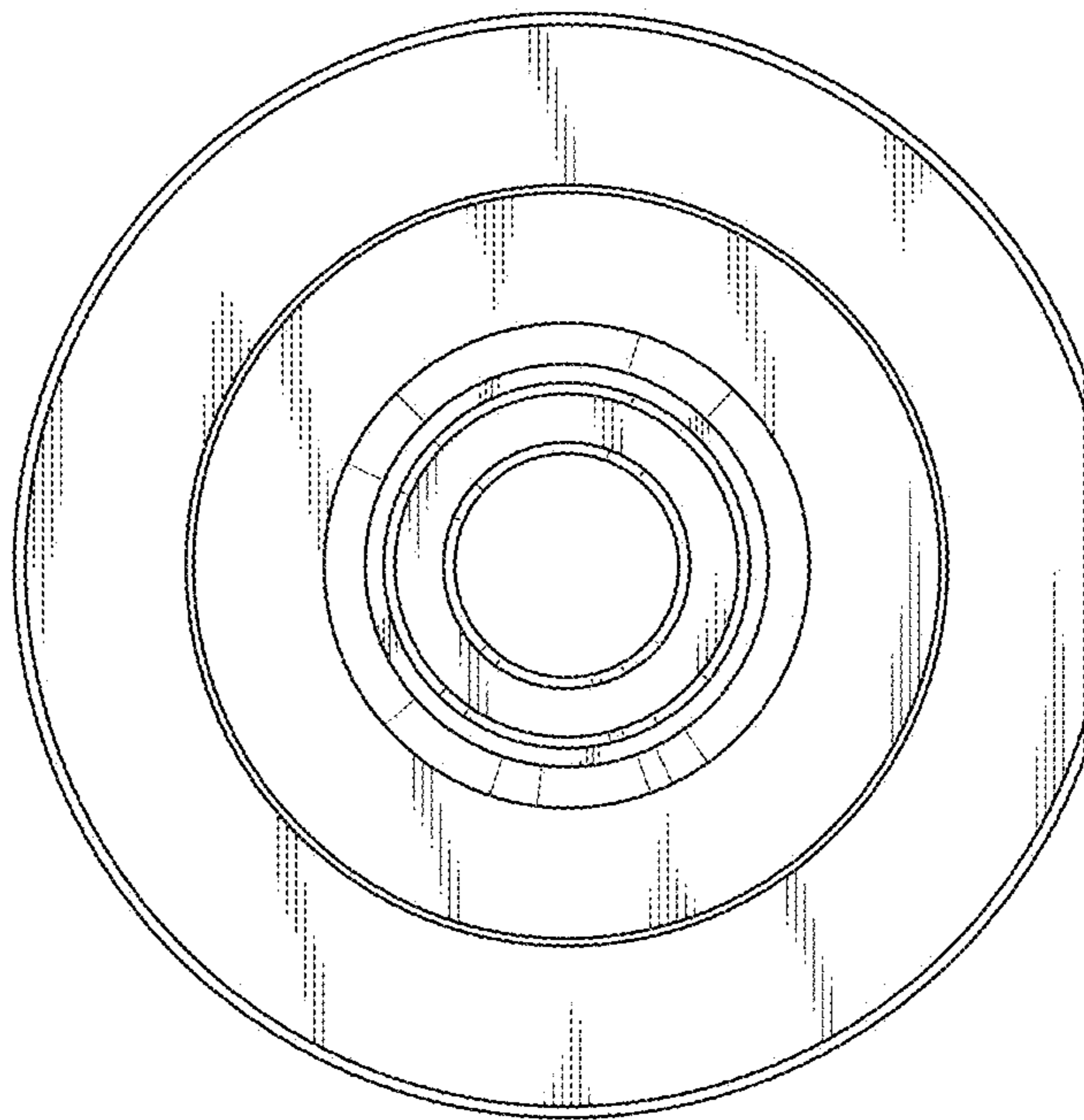


Fig. 5

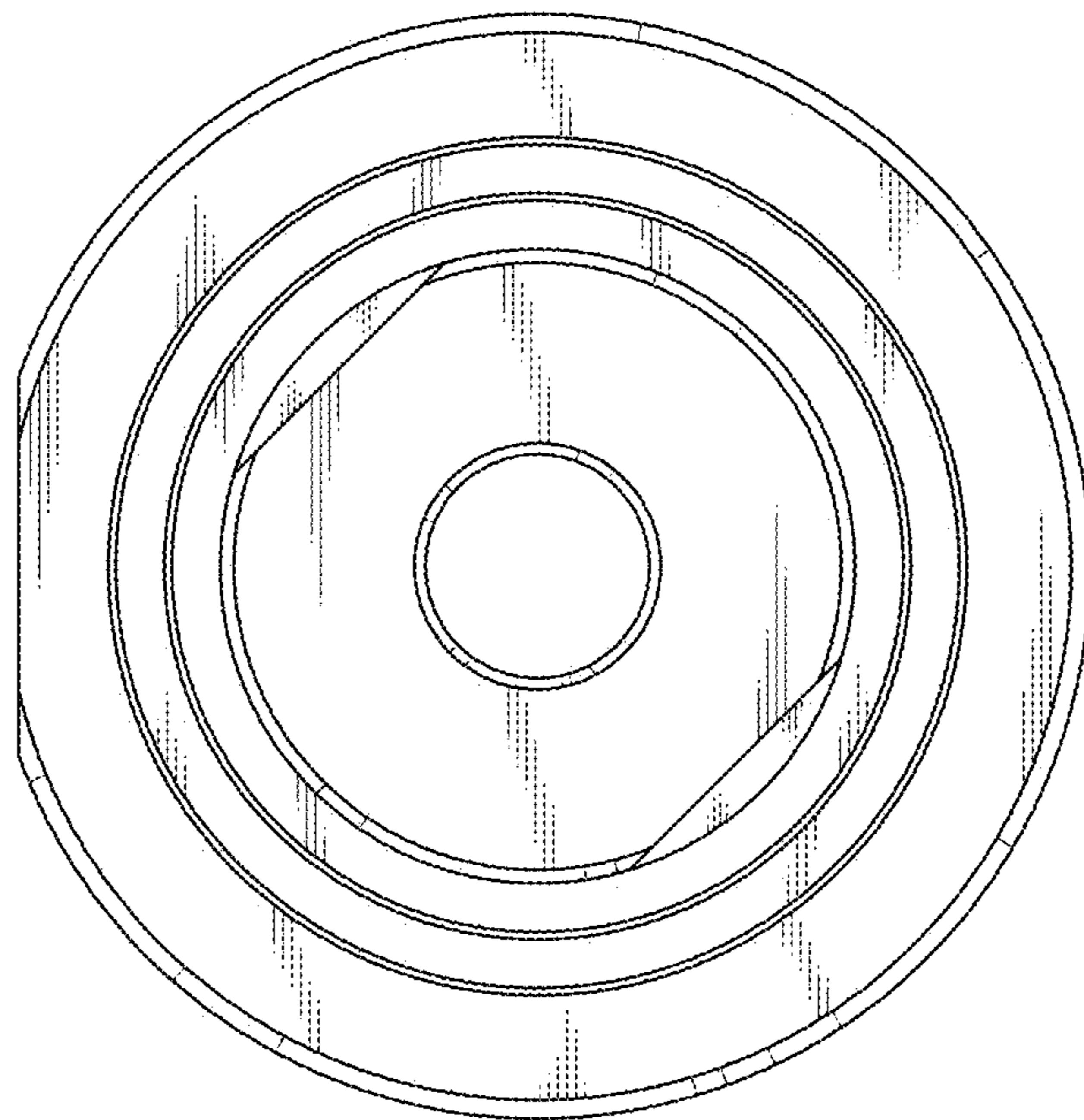


Fig. 6

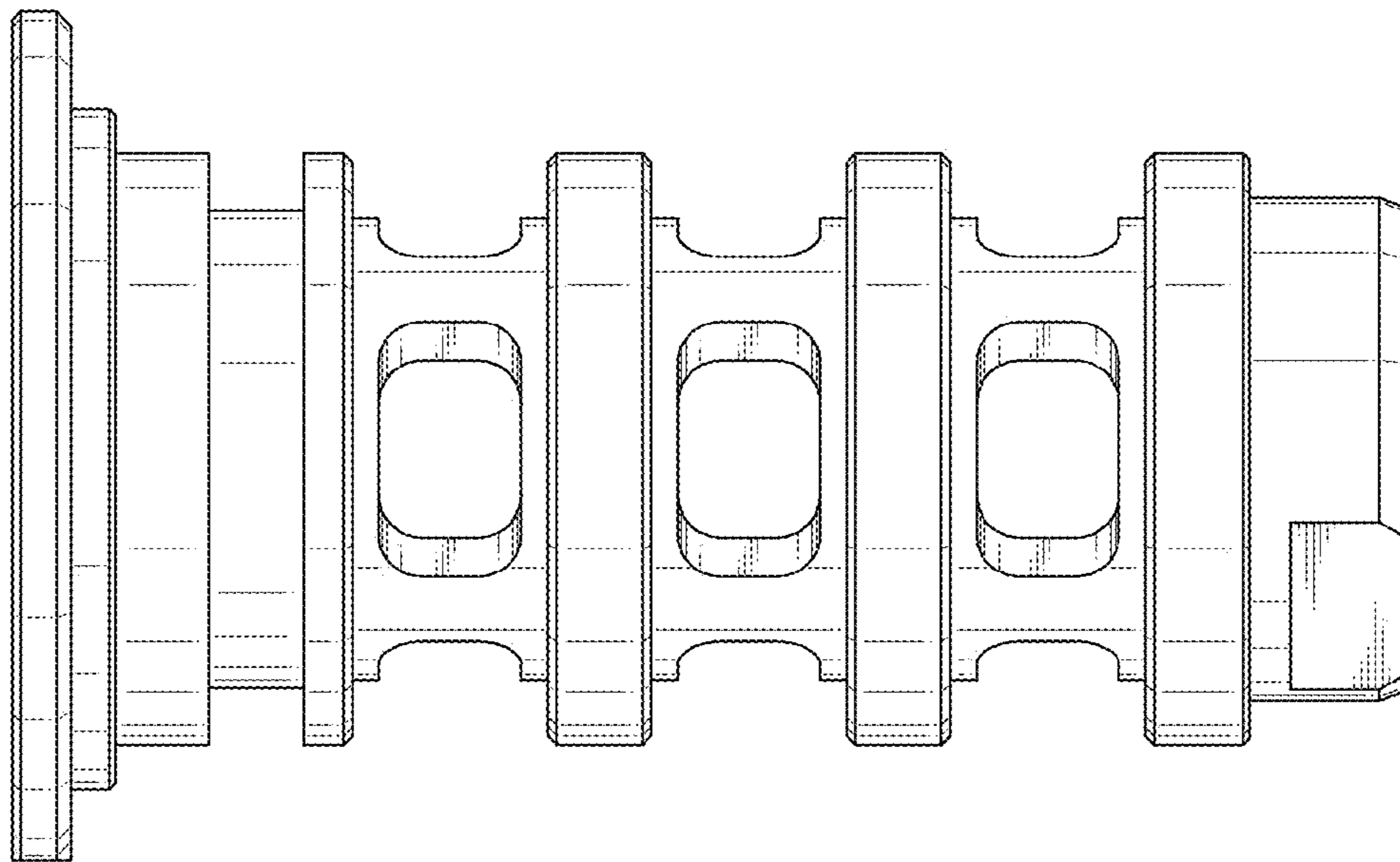


Fig. 7

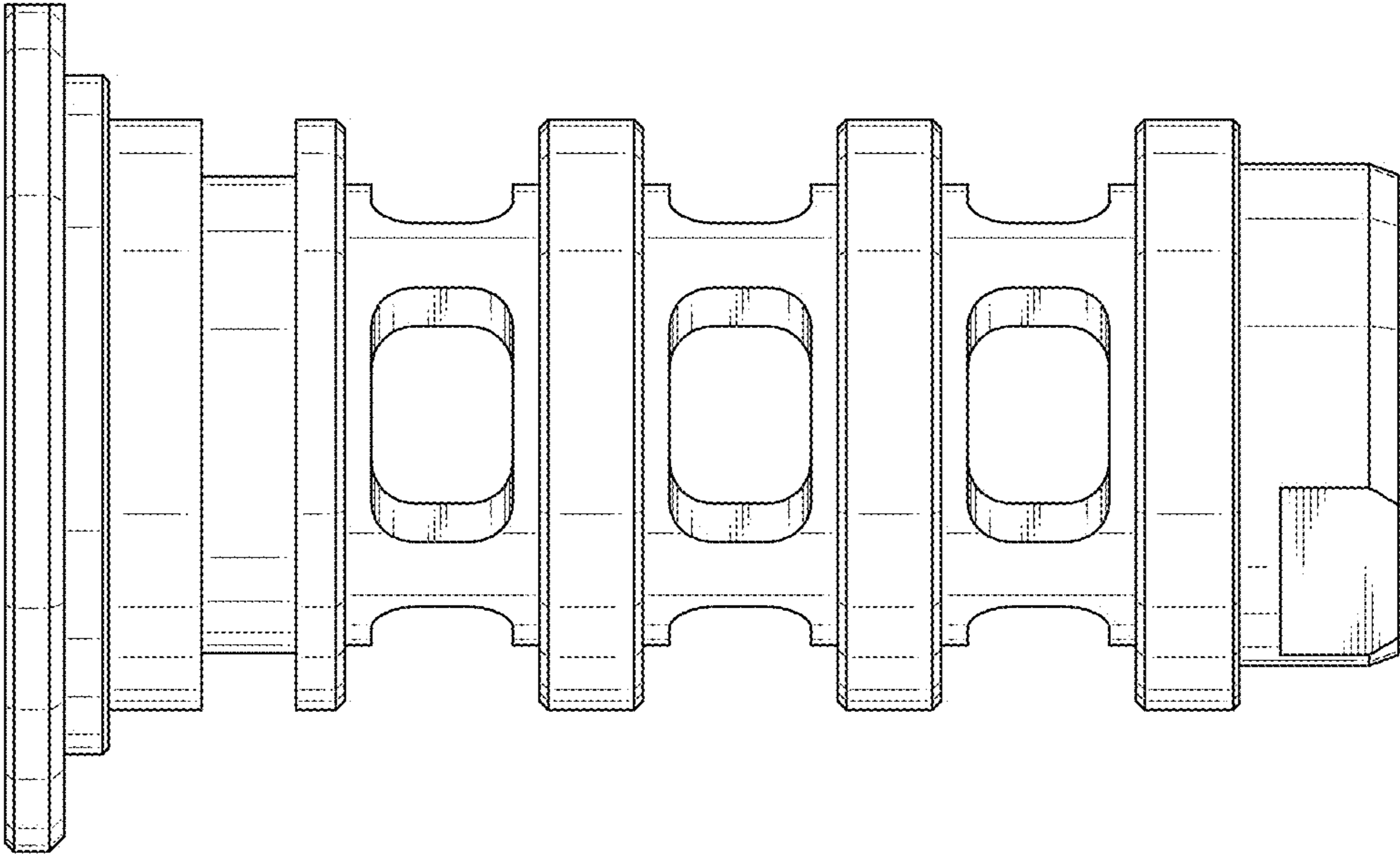


Fig. 8

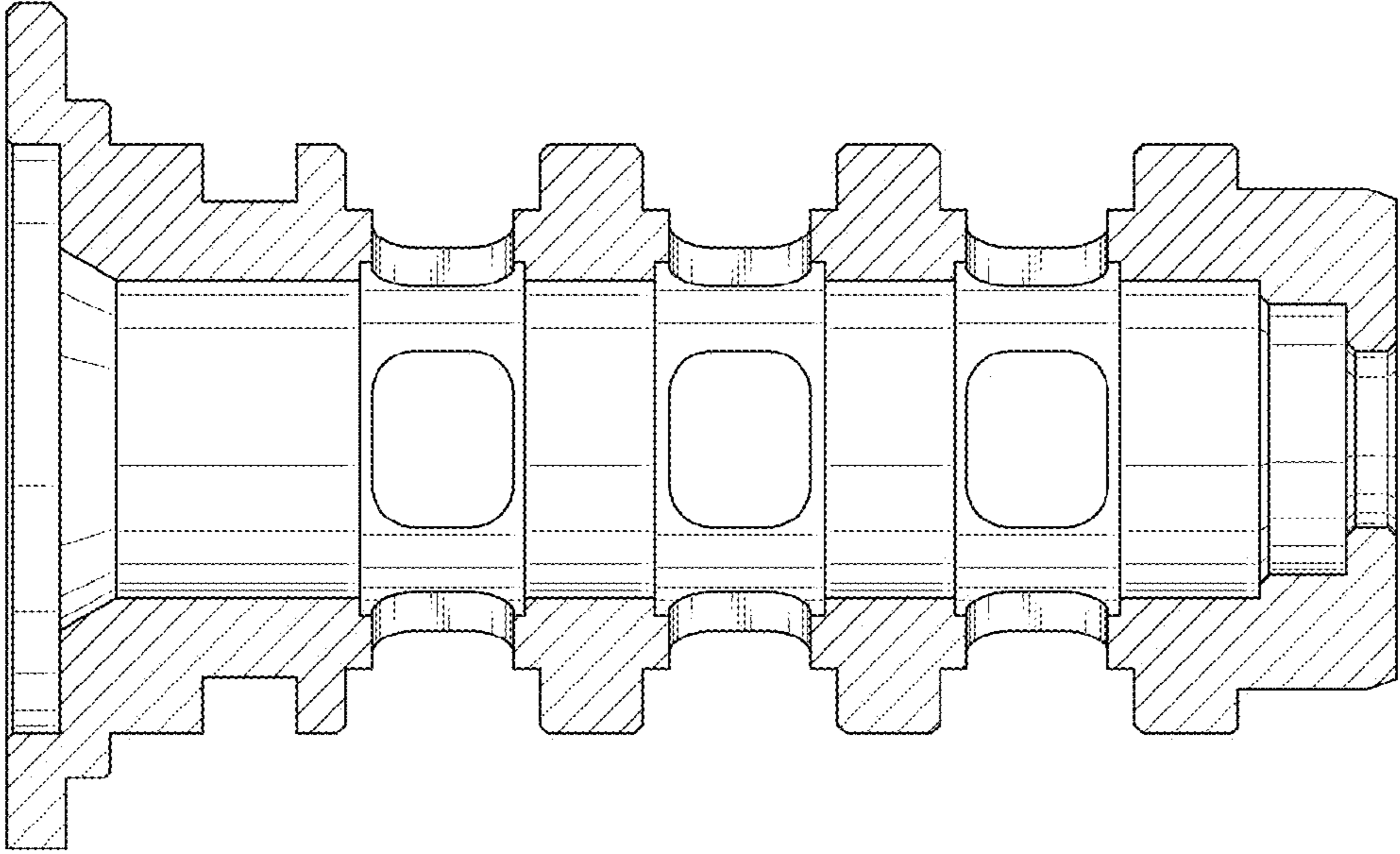


Fig. 9

