



US00D767100S

(12) **United States Design Patent**
Borne

(10) **Patent No.:** **US D767,100 S**

(45) **Date of Patent:** **** *Sep. 20, 2016**

(54) **DECORATIVE COVER FOR A PLUMBING
FIXTURE**

(71) Applicant: **Lynn Eric Borne**, Glendale, CA (US)

(72) Inventor: **Lynn Eric Borne**, Glendale, CA (US)

(*) Notice: This patent is subject to a terminal disclaimer.

(**) Term: **14 Years**

(21) Appl. No.: **29/453,532**

(22) Filed: **Apr. 30, 2013**

Related U.S. Application Data

(63) Continuation-in-part of application No. 12/074,753, filed on Mar. 6, 2008, now abandoned.

(51) **LOC (10) Cl.** **23-01**

(52) **U.S. Cl.**
USPC **D23/249**

(58) **Field of Classification Search**
USPC D23/233–237, 244–249; 220/724;
251/129.04, 30.03, 329, 188; 137/382,
137/381

CPC E03C 1/042; E03C 1/021; E03B 9/025;
F16L 5/00

See application file for complete search history.

(56) **References Cited**

U.S. PATENT DOCUMENTS

1,668,223 A * 5/1928 Utman 137/382
1,941,596 A * 1/1934 Burke 137/382

D134,606 S * 12/1942 Hiller D23/248
2,672,879 A * 3/1954 Downin 137/382
3,181,523 A * 5/1965 Casey 123/198 R
D207,766 S * 5/1967 Keane D23/245
3,696,964 A * 10/1972 Deakin 220/728
4,103,806 A * 8/1978 White 222/3
4,301,828 A * 11/1981 Martin, Jr. 137/381
6,119,718 A * 9/2000 Cappuccio 137/382
D461,860 S * 8/2002 Tang D21/742
D641,833 S * 7/2011 Ball D23/249
D702,818 S * 4/2014 Chandran D23/245
D715,407 S * 10/2014 Wallace D23/245
2006/0278275 A1 * 12/2006 Stewart et al. 137/382
2009/0223982 A1 * 9/2009 Borne 220/724
2014/0251456 A1 * 9/2014 Cesbron et al. 137/382

* cited by examiner

Primary Examiner — Cynthia Ramirez

(74) *Attorney, Agent, or Firm* — Patent Law & Venture Group; Gene Scott

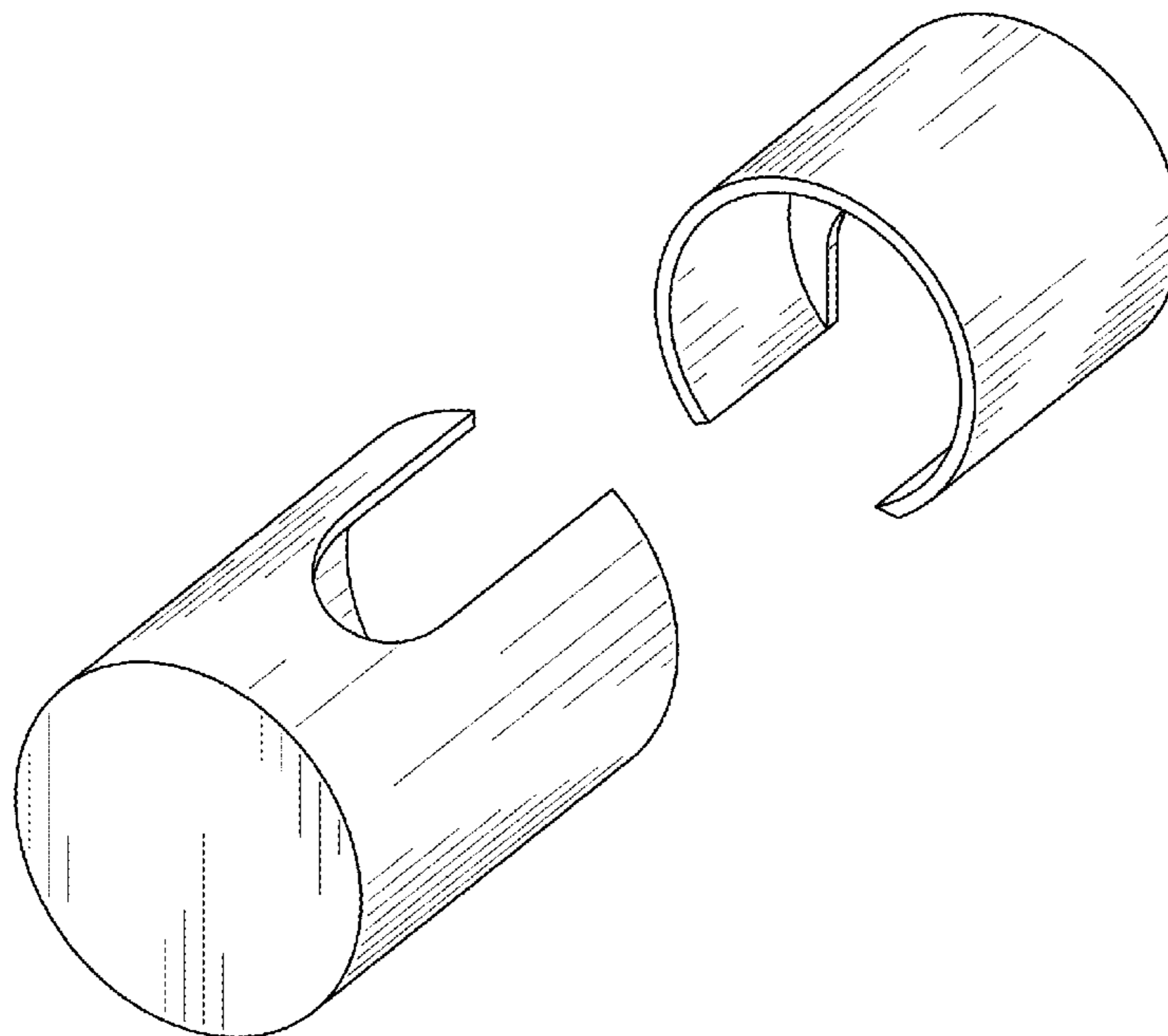
(57) **CLAIM**

The illustrated ornamental design for a decorative cover for a plumbing fixture, as shown and described.

DESCRIPTION

FIG. 1 is a perspective view of my new two-part cover design the parts shown separated;
FIG. 2 is a perspective view thereof with the parts shown partially engaged;
FIG. 3 is a proximal end view according to FIG. 2;
FIG. 4 is a distal end view according to FIG. 2;
FIG. 5 is a perspective view with the parts shown fully engaged; and,
FIG. 6 is a distal end view according to FIG. 5.

1 Claim, 3 Drawing Sheets



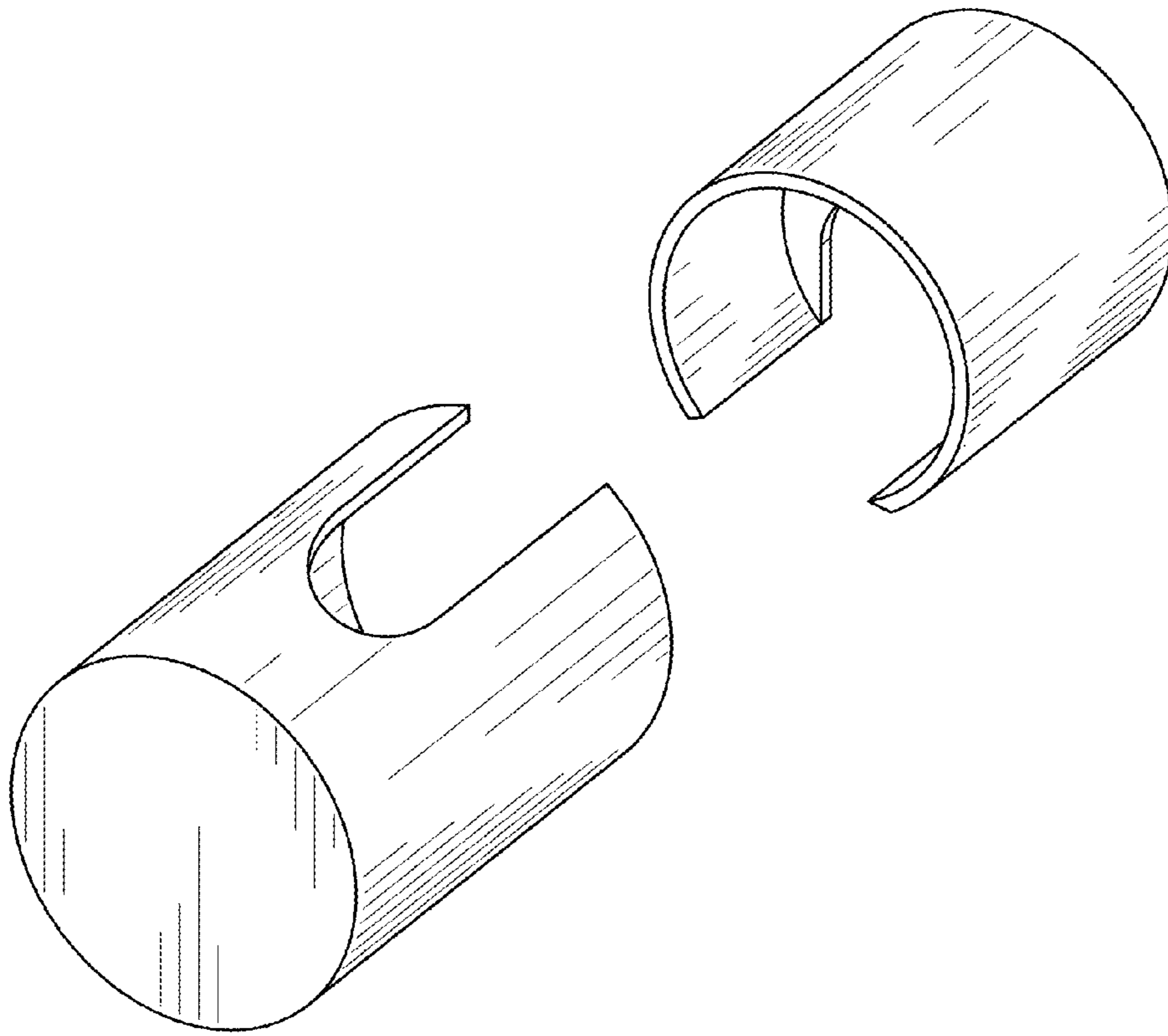


FIG. 1

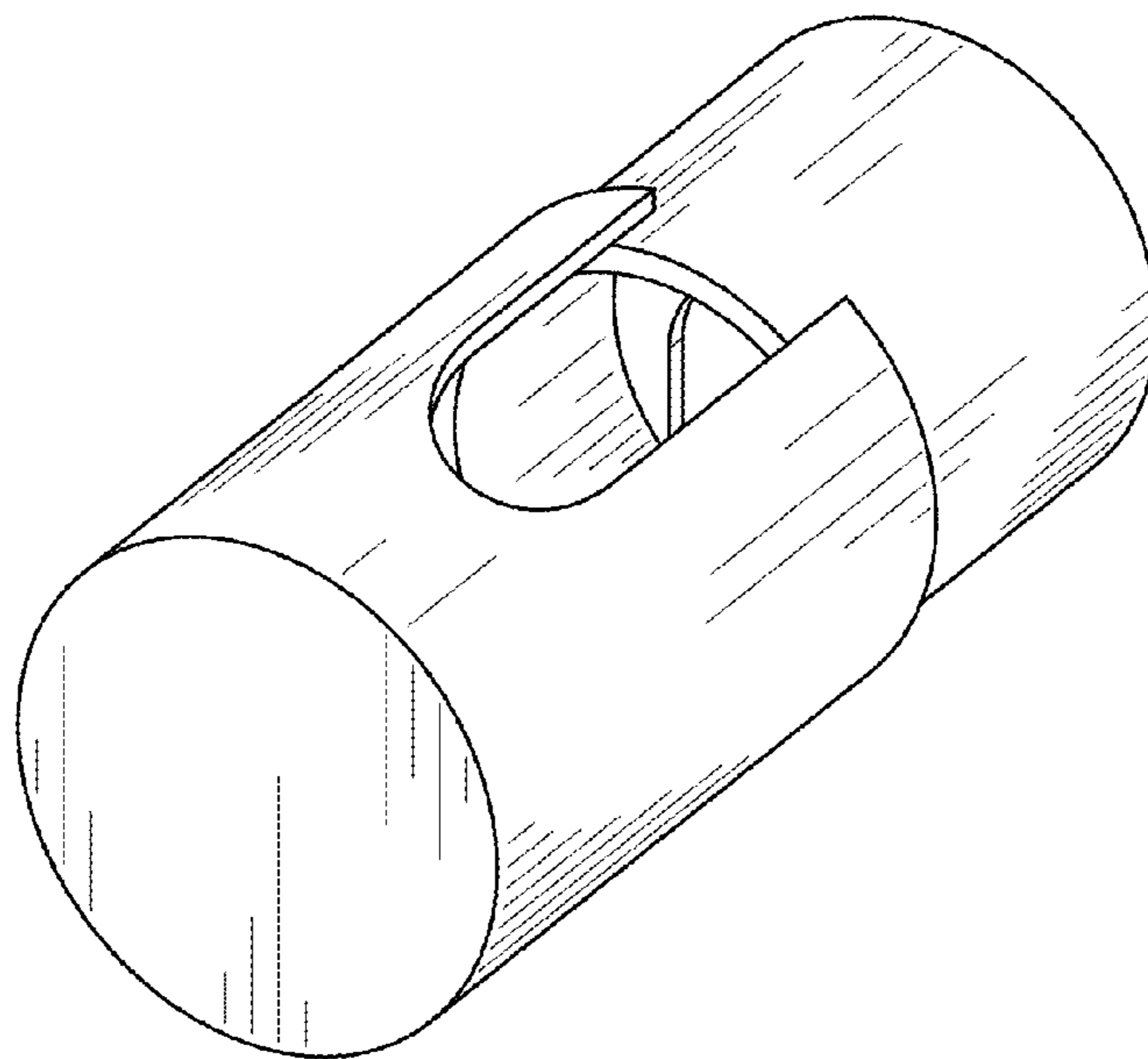


FIG. 2

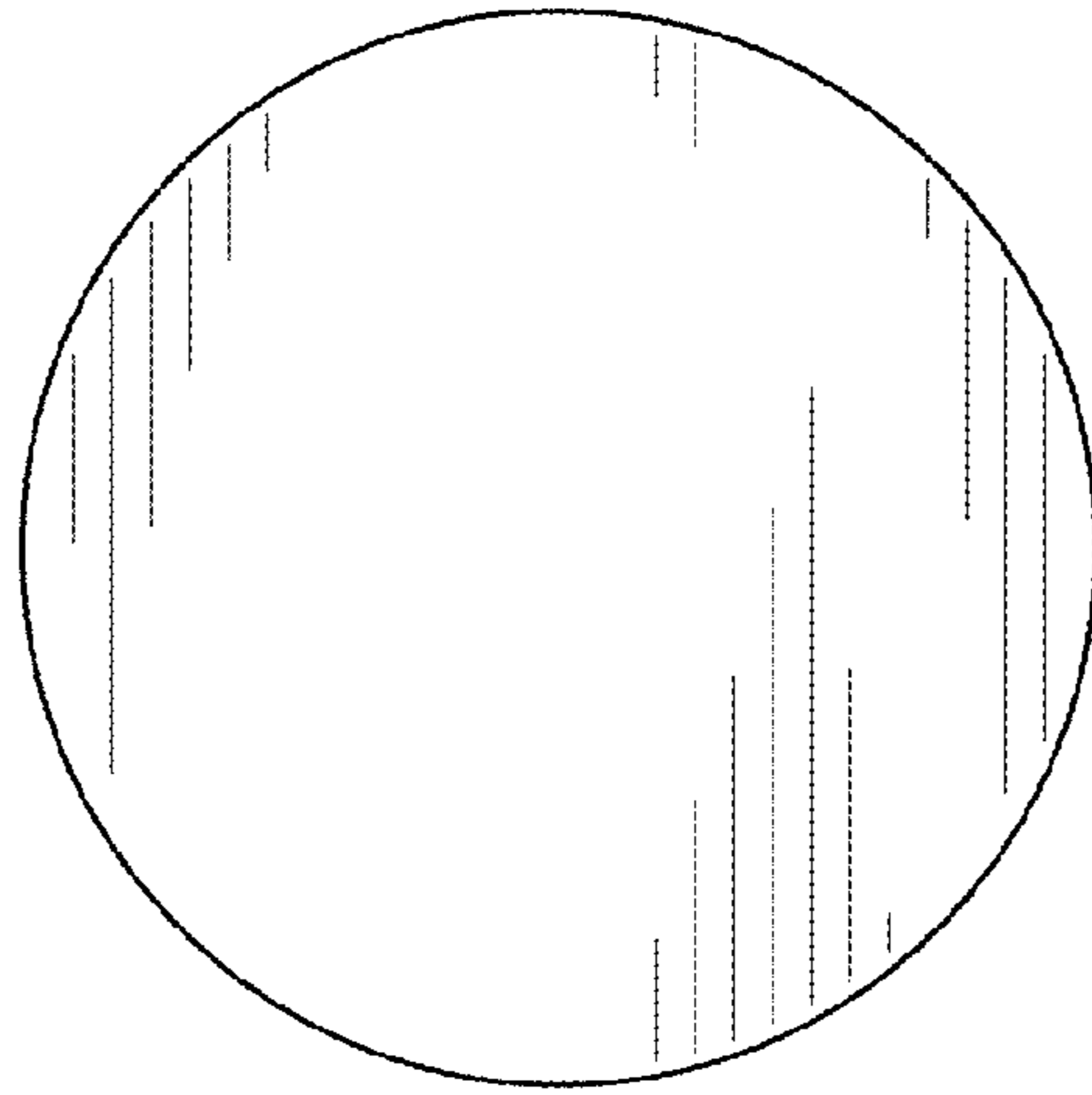


FIG. 3

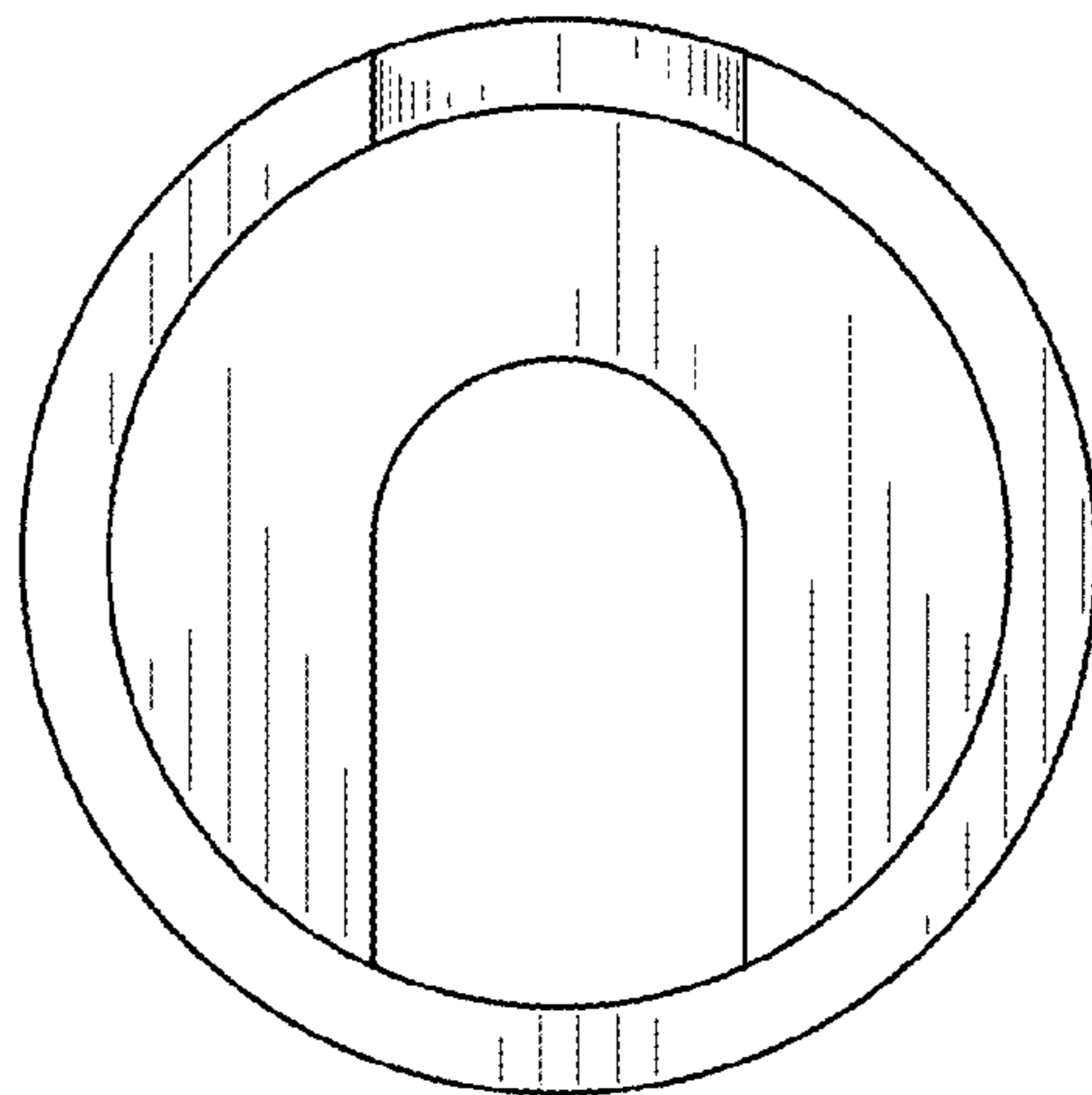


FIG. 4

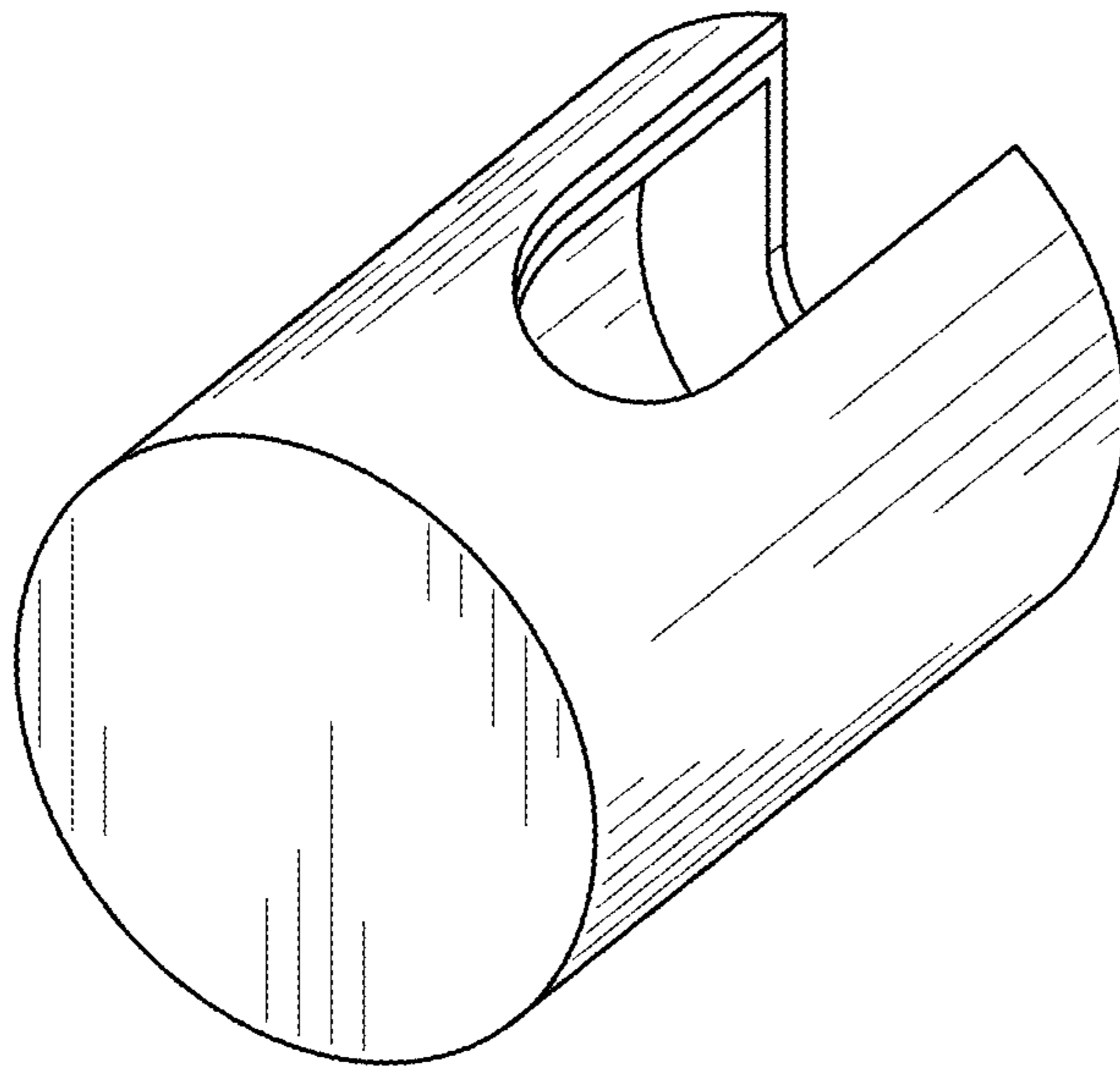


FIG. 5

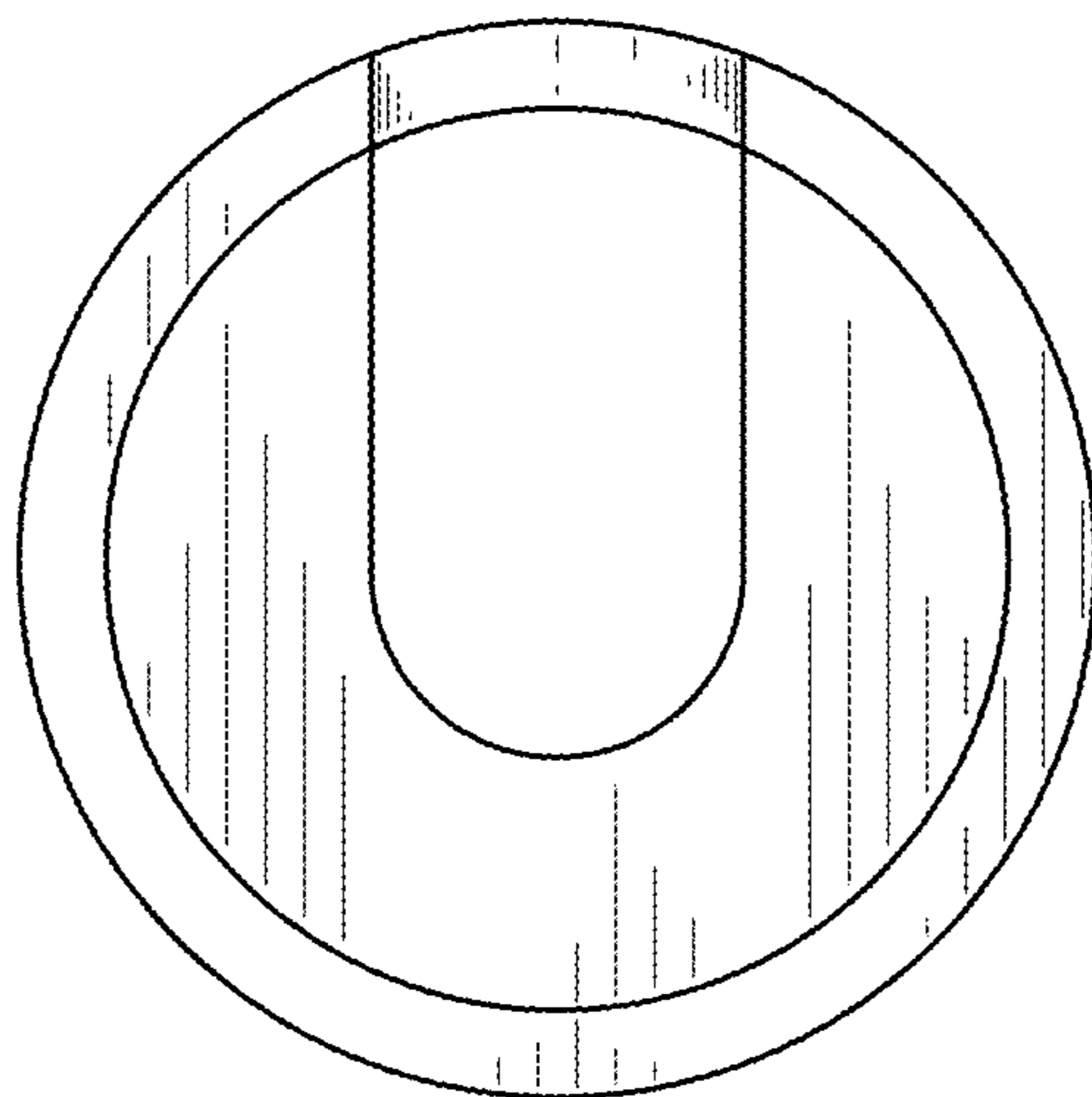


FIG. 6