

US00D767099S

(12) **United States Design Patent**
Flowers et al.

(10) **Patent No.:** **US D767,099 S**

(45) **Date of Patent:** **** Sep. 20, 2016**

(54) **CENTERSET**

(71) Applicant: **Grohe AG**, Hemer (DE)

(72) Inventors: **Paul Flowers**, London (GB); **Jochen Allard**, Menden (DE)

(73) Assignee: **Grohe AG**, Hemer (DE)

(**) Term: **15 Years**

(21) Appl. No.: **29/538,915**

(22) Filed: **Sep. 9, 2015**

(30) **Foreign Application Priority Data**

Mar. 10, 2015 (EM) 002649509-0002

(51) **LOC (10) Cl.** **23-01**

(52) **U.S. Cl.**
USPC **D23/242**

(58) **Field of Classification Search**
USPC D23/238, 241–243, 249–250, 252,
D23/254–255, 257
CPC E03C 1/04; E03C 1/0401; E03C 1/0402;
E03C 1/0404; F16K 31/602; F16K 31/605;
F16K 31/607
See application file for complete search history.

(56) **References Cited**

U.S. PATENT DOCUMENTS

D482,757 S * 11/2003 Blomstrom D23/252
D657,019 S * 4/2012 Padgett D23/242

D683,429 S * 5/2013 Kwok D23/238
D704,305 S * 5/2014 Flowers D23/242
D718,842 S * 12/2014 Rexach D23/252
D754,297 S * 4/2016 Garland D23/242
D761,940 S * 7/2016 Flowers D23/252

* cited by examiner

Primary Examiner — Robert Delehanty

(74) *Attorney, Agent, or Firm* — Muncy, Geissler, Olds & Lowe, P.C.

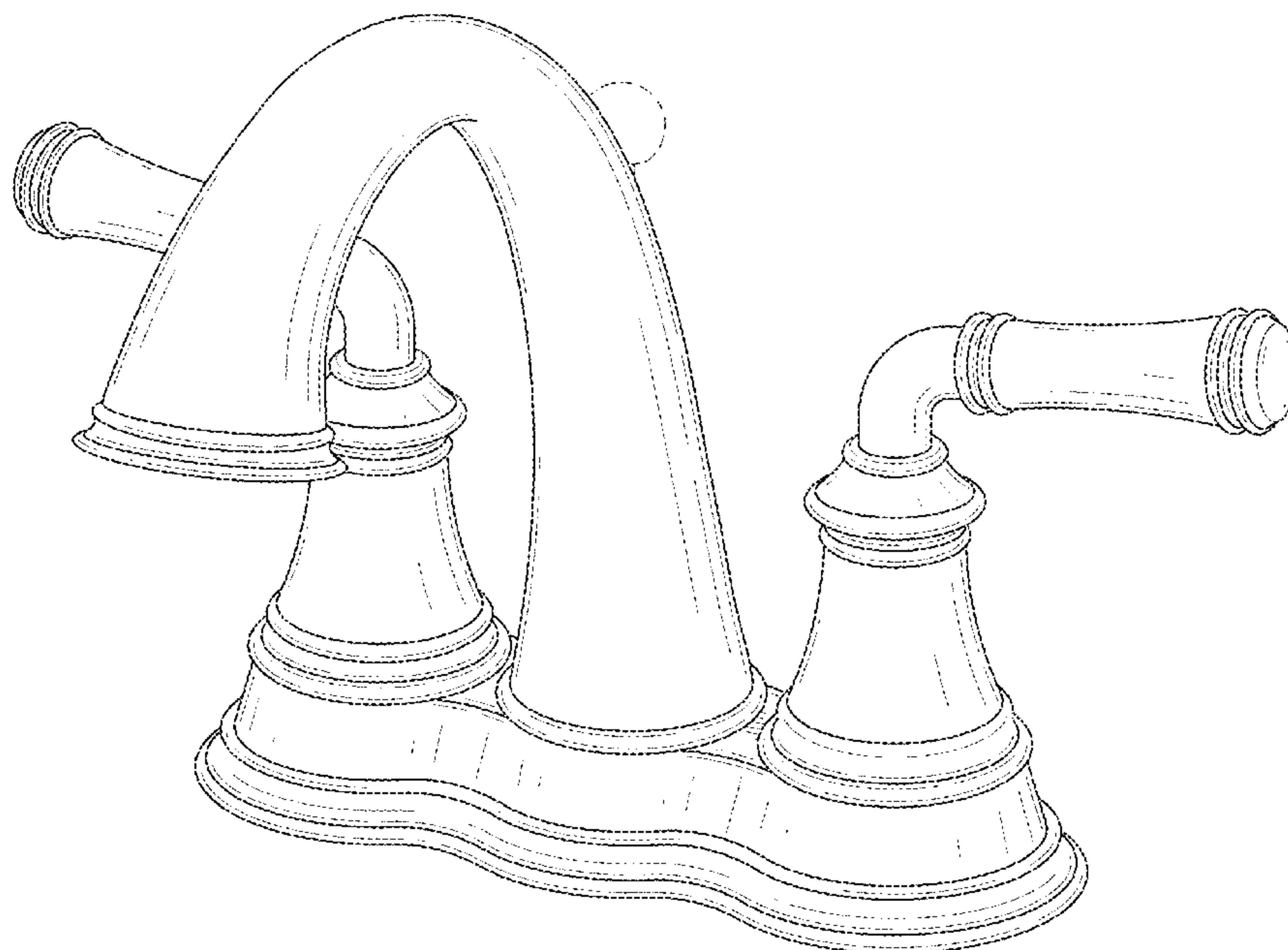
(57) **CLAIM**

The ornamental design for a centerset, as shown and described.

DESCRIPTION

FIG. 1 is a front perspective view of a centerset according to the present invention.
FIG. 2 is a left side view of the centerset of FIG. 1.
FIG. 3 is a right side view of the centerset of FIG. 1.
FIG. 4 is a top view of the centerset of FIG. 1.
FIG. 5 is a bottom view of the centerset of FIG. 1.
FIG. 6 is a front view of the centerset of FIG. 1; and,
FIG. 7 is a rear view of the centerset of FIG. 1.
The dashed lines illustrate environment that does not form a part of the present invention, and no claim is made to the material illustrated with dashed lines.

1 Claim, 7 Drawing Sheets



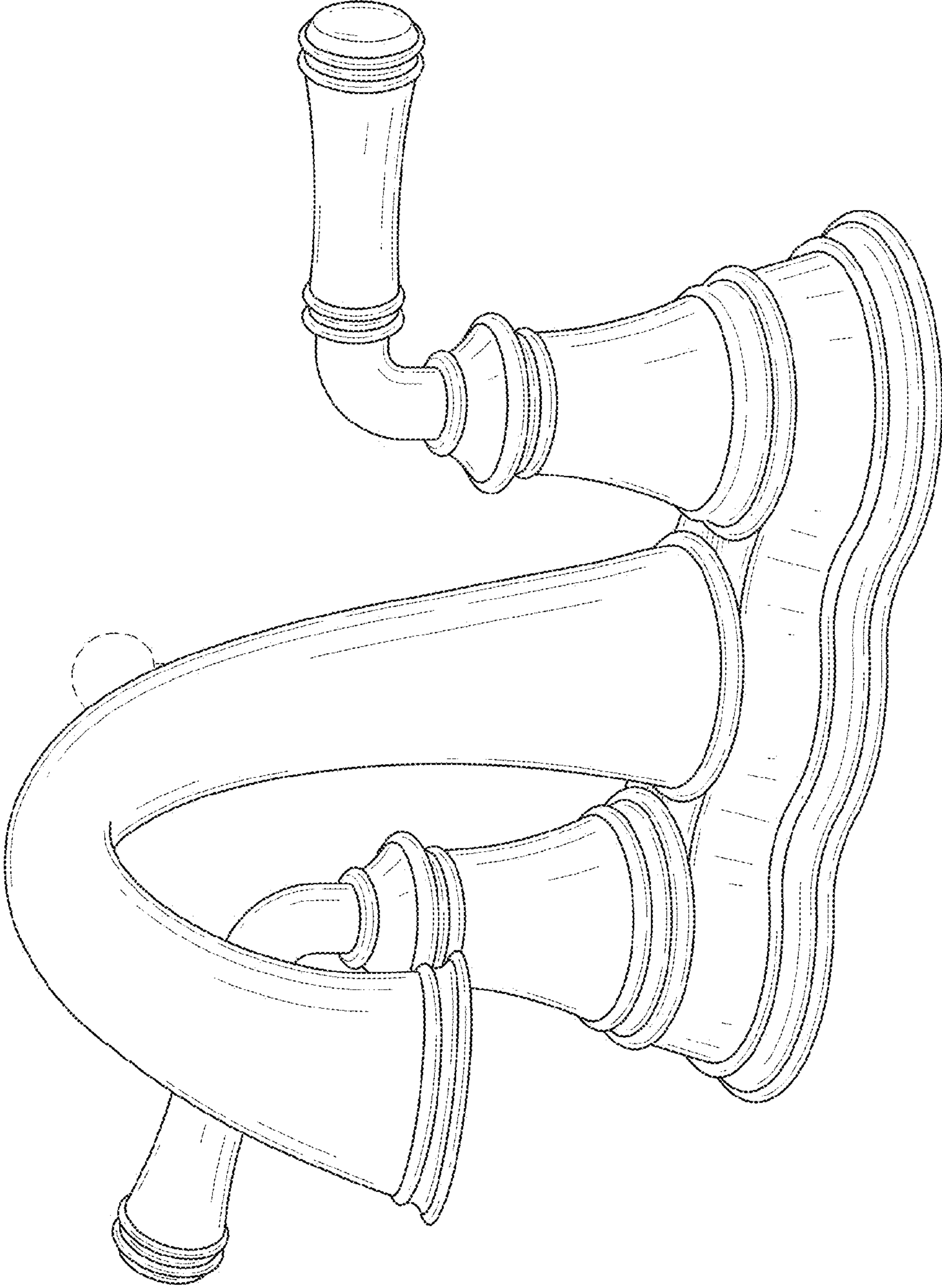


FIG.1

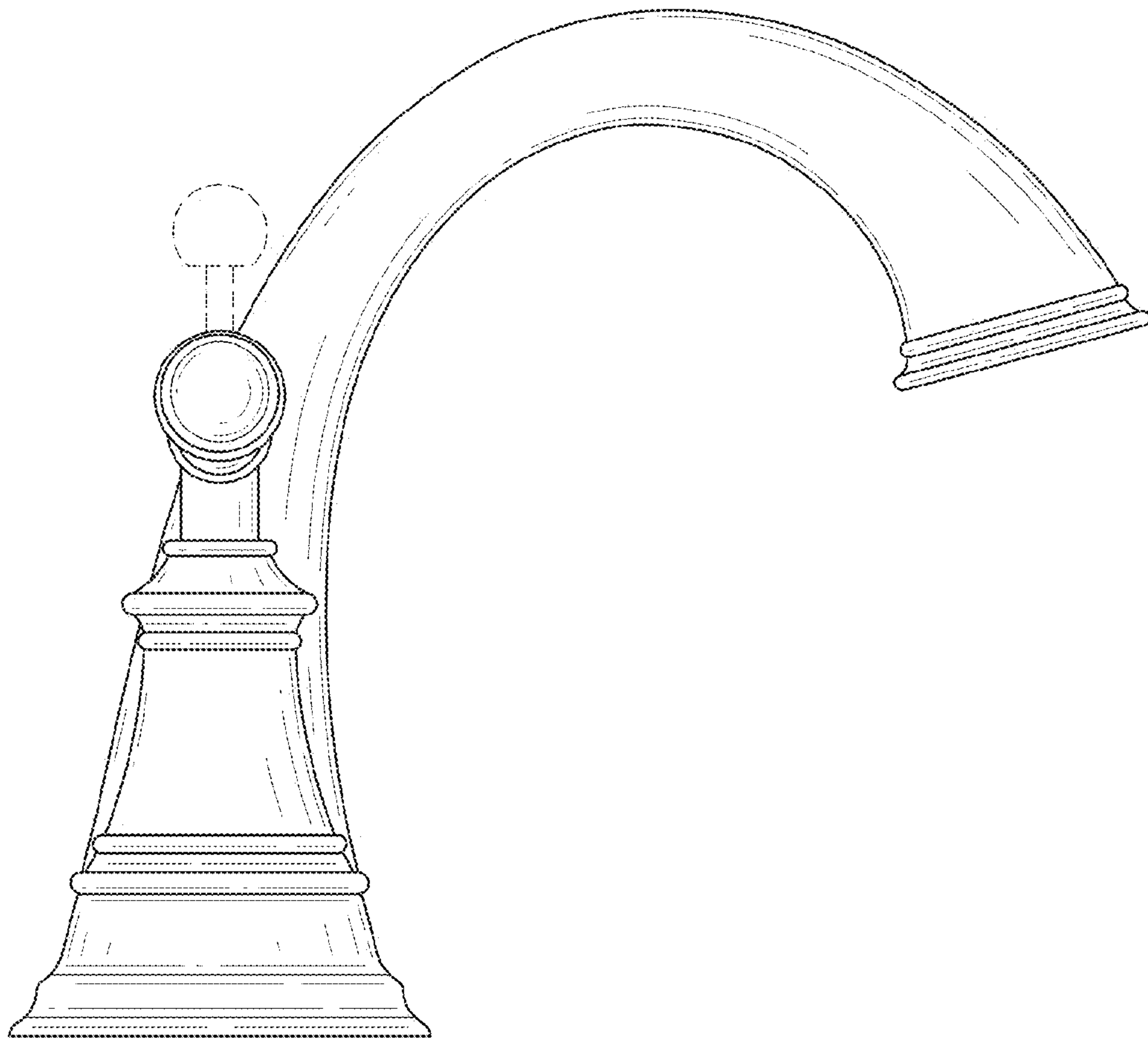


FIG.2

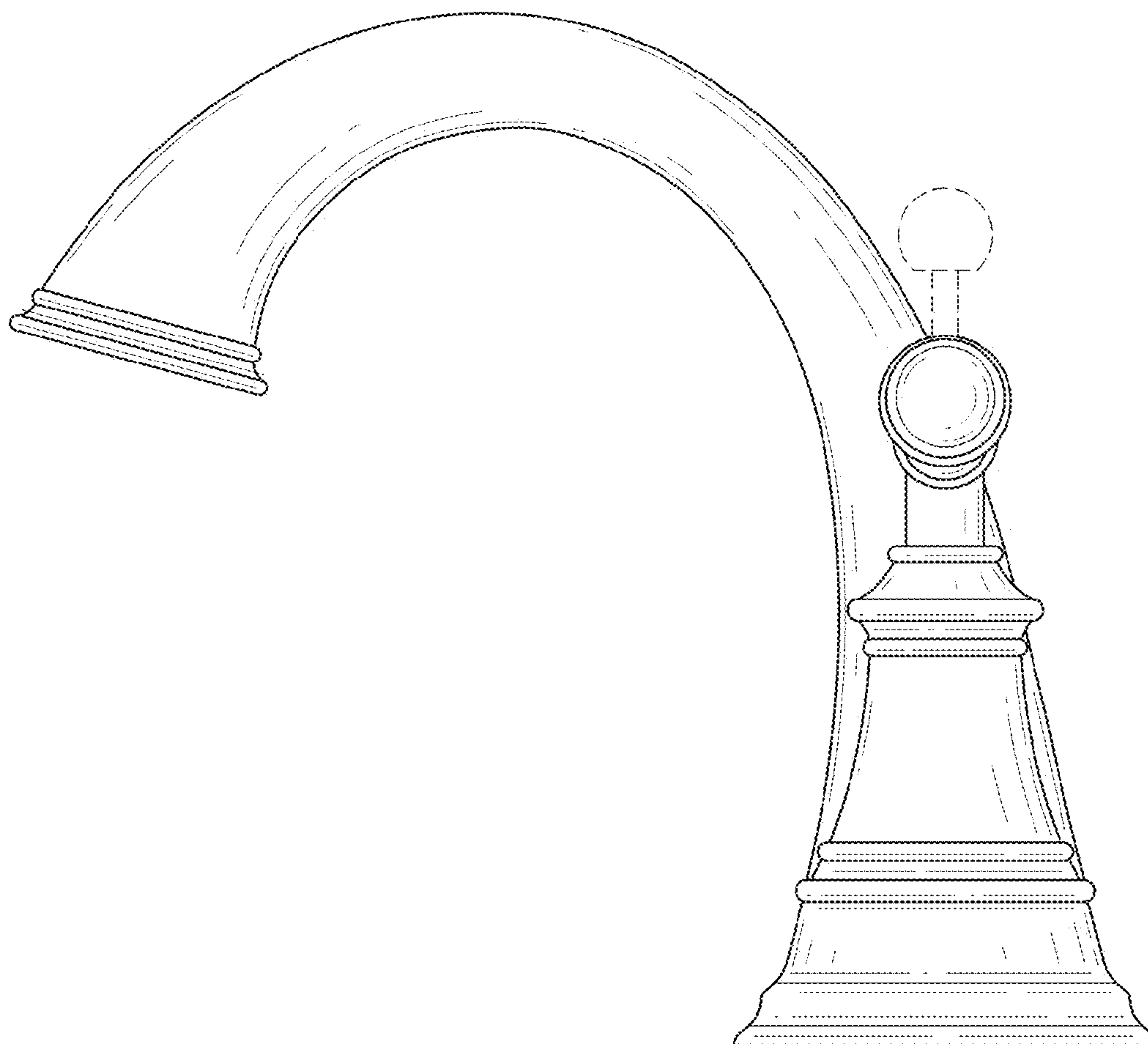


FIG.3

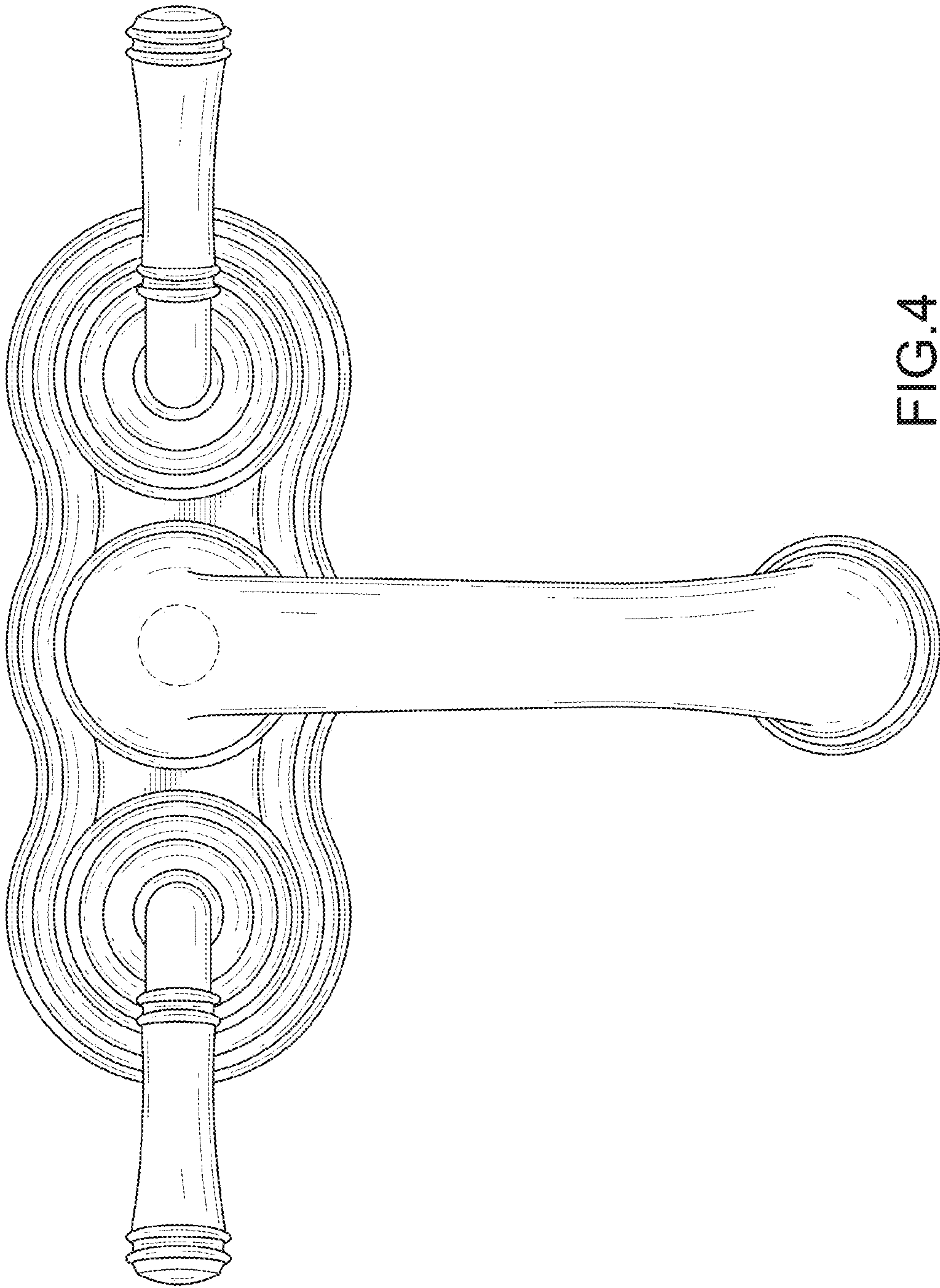


FIG.4

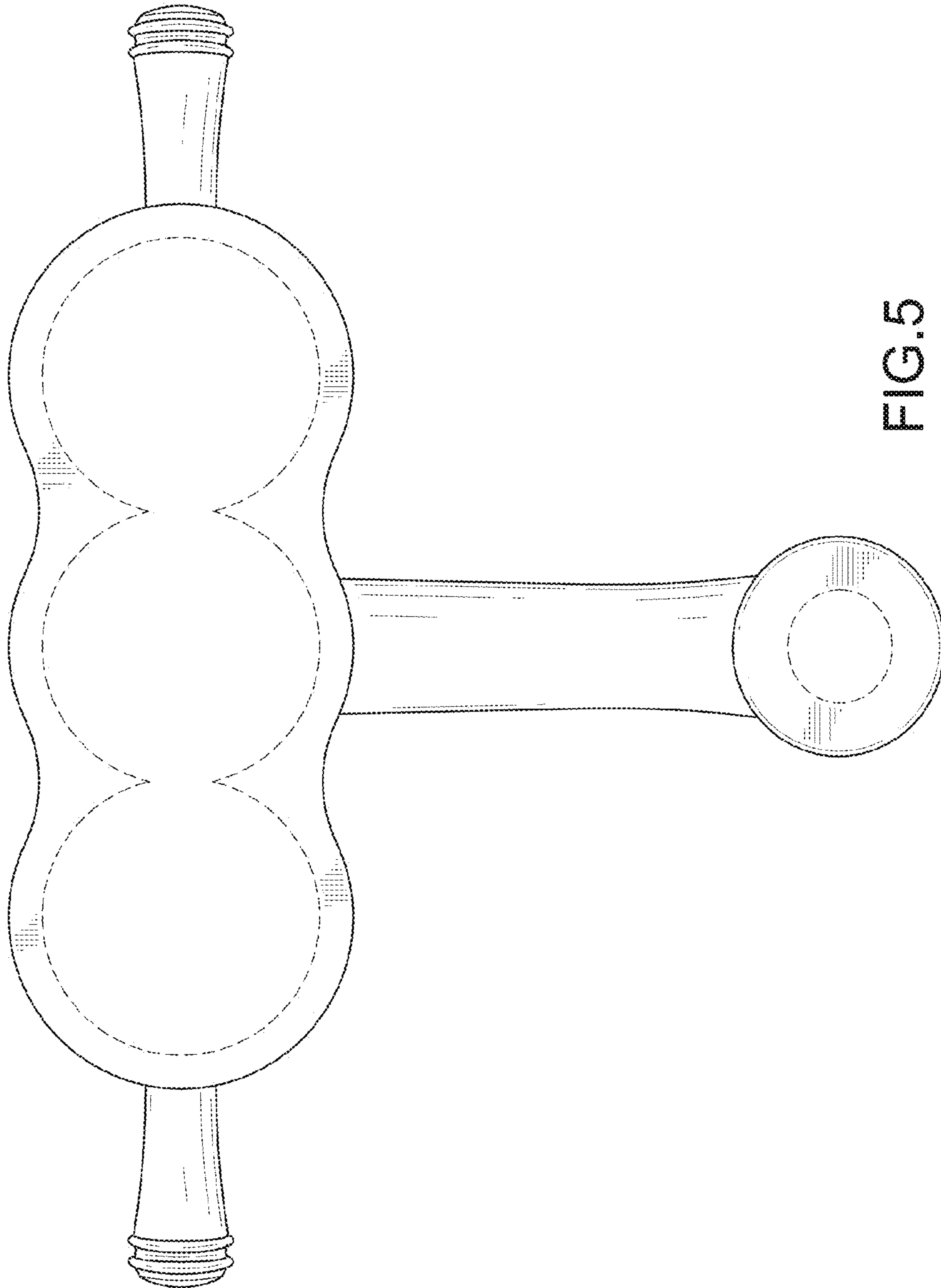


FIG. 5

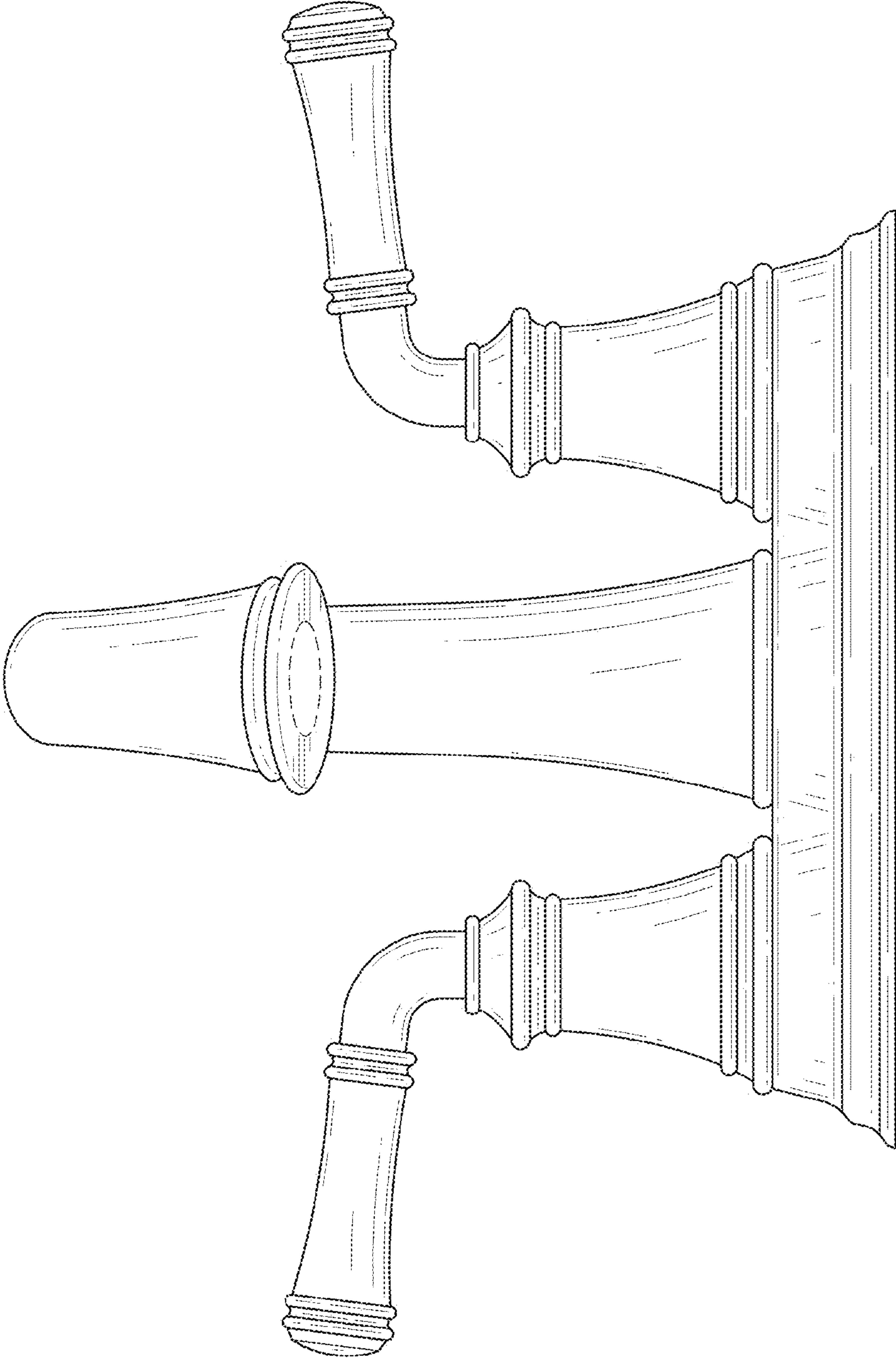


FIG.6

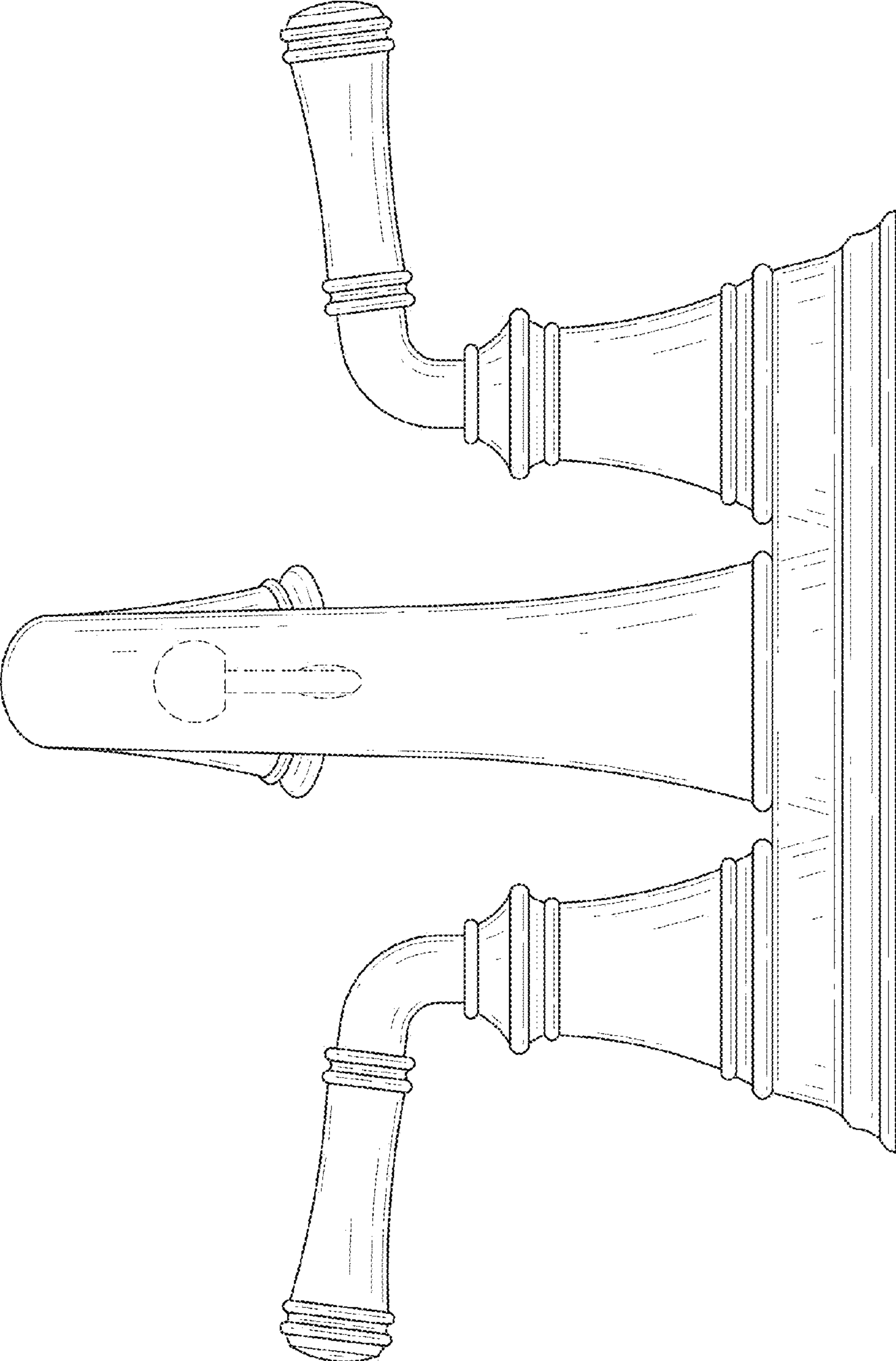


FIG. 7