



US00D767098S

(12) **United States Design Patent**
Citterio et al.

(10) **Patent No.:** **US D767,098 S**

(45) **Date of Patent:** **** Sep. 20, 2016**

(54) **FAUCET**

(71) Applicant: **Hansgrohe SE**, Schiltach (DE)

(72) Inventors: **Antonio Citterio**, Milan (IT); **Tom Schoenherr**, Stuttgart (DE); **Andreas Diefenbach**, Ludwigsburg-Oßweil (DE)

(73) Assignee: **Hansgrohe SE**, Schiltach (DE)

(**) Term: **15 Years**

(21) Appl. No.: **29/534,273**

(22) Filed: **Jul. 28, 2015**

(30) **Foreign Application Priority Data**

Feb. 4, 2015 (EM) 002626689-0001

(51) **LOC (10) Cl.** **23-01**

(52) **U.S. Cl.**
USPC **D23/238**

(58) **Field of Classification Search**
USPC D23/238, 241-243, 249-250, 252,
D23/254-255, 257

CPC E03C 1/04; E03C 1/0401; E03C 1/0402;
E03C 1/0404; F16K 31/602; F16K 31/605;
F16K 31/607

See application file for complete search history.

(56) **References Cited**

U.S. PATENT DOCUMENTS

D540,911 S *	4/2007	Citterio	D23/238
D615,160 S *	5/2010	Bouroullec	D23/238
D696,386 S *	12/2013	Schoenherr	D23/238
D757,219 S *	5/2016	Schoenherr	D23/238

* cited by examiner

Primary Examiner — Robert Delehanty

(74) *Attorney, Agent, or Firm* — Lora J. Graentzdoerffer

(57) **CLAIM**

The ornamental design for a faucet, as shown and described.

DESCRIPTION

FIG. 1 is a perspective view of a faucet showing our design; FIG. 2 is a front elevation view; FIG. 3 is a rear elevation view; FIG. 4 is a right side elevation view; FIG. 5 is a left side elevation view; FIG. 6 is a top plan view; and, FIG. 7 is a bottom plan view.

The broken-line disclosure in the views represents portions of the faucet in which the claimed design is embodied, but which form no part of the claimed design.

1 Claim, 7 Drawing Sheets

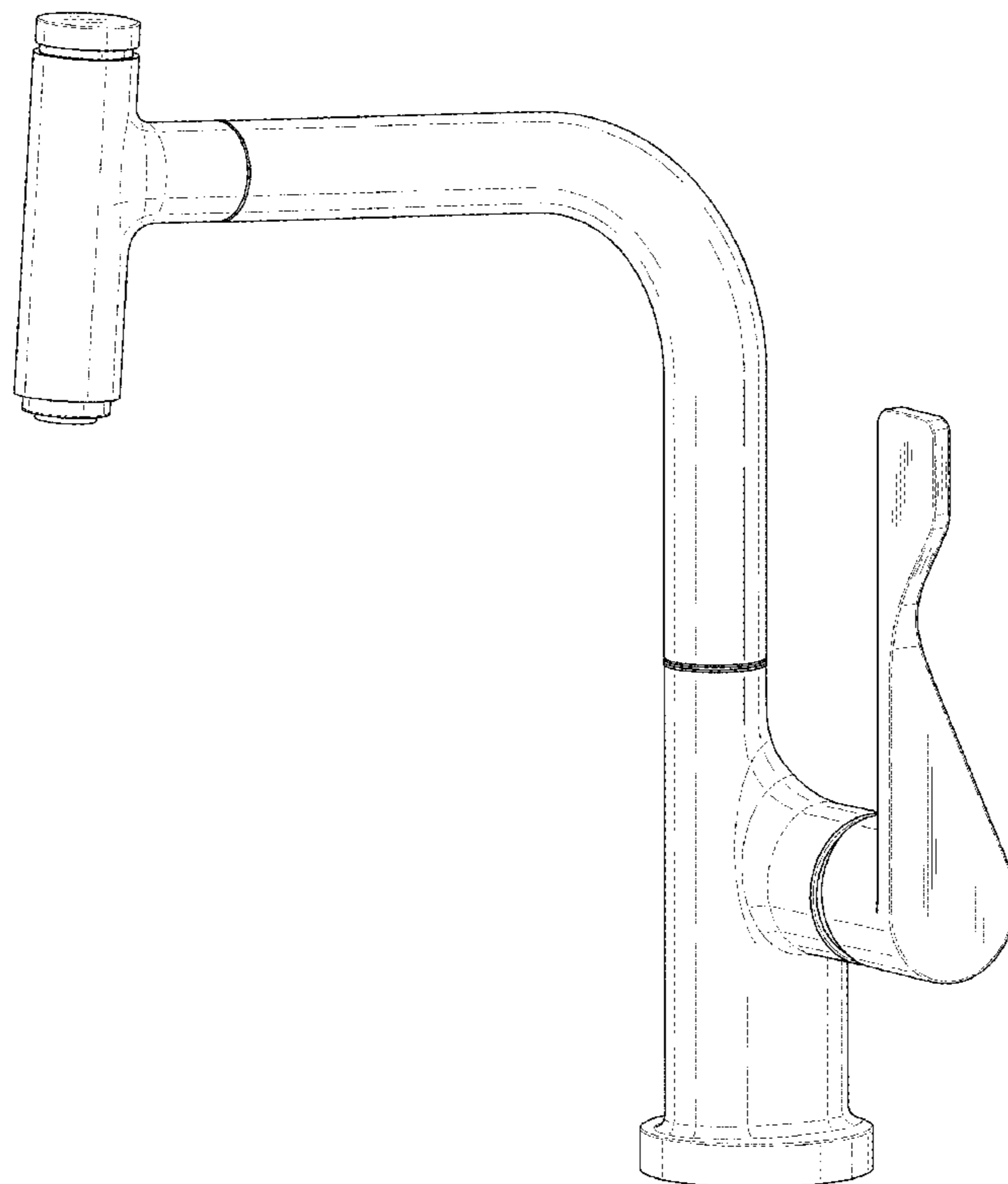


FIG. 1

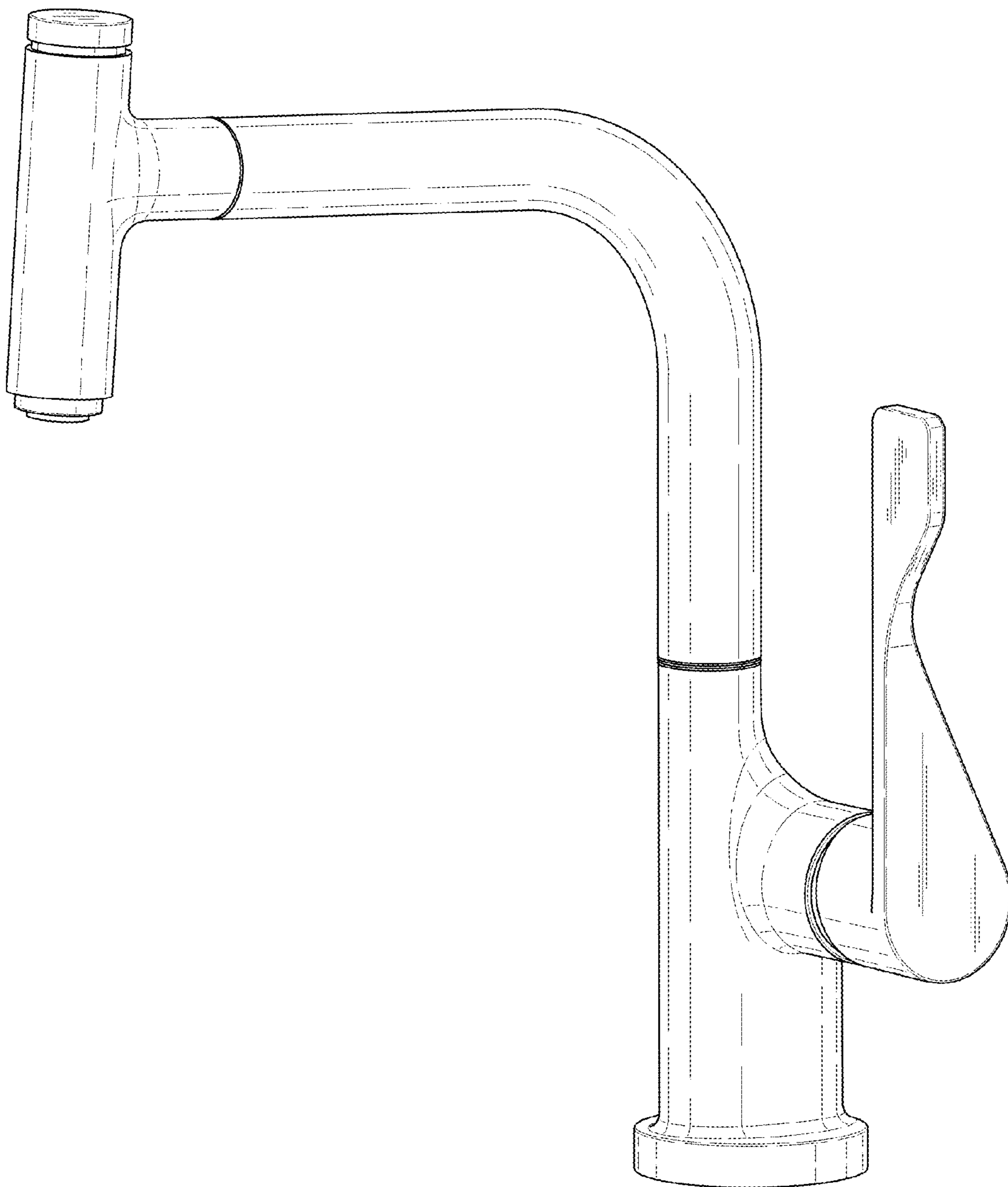


FIG. 2

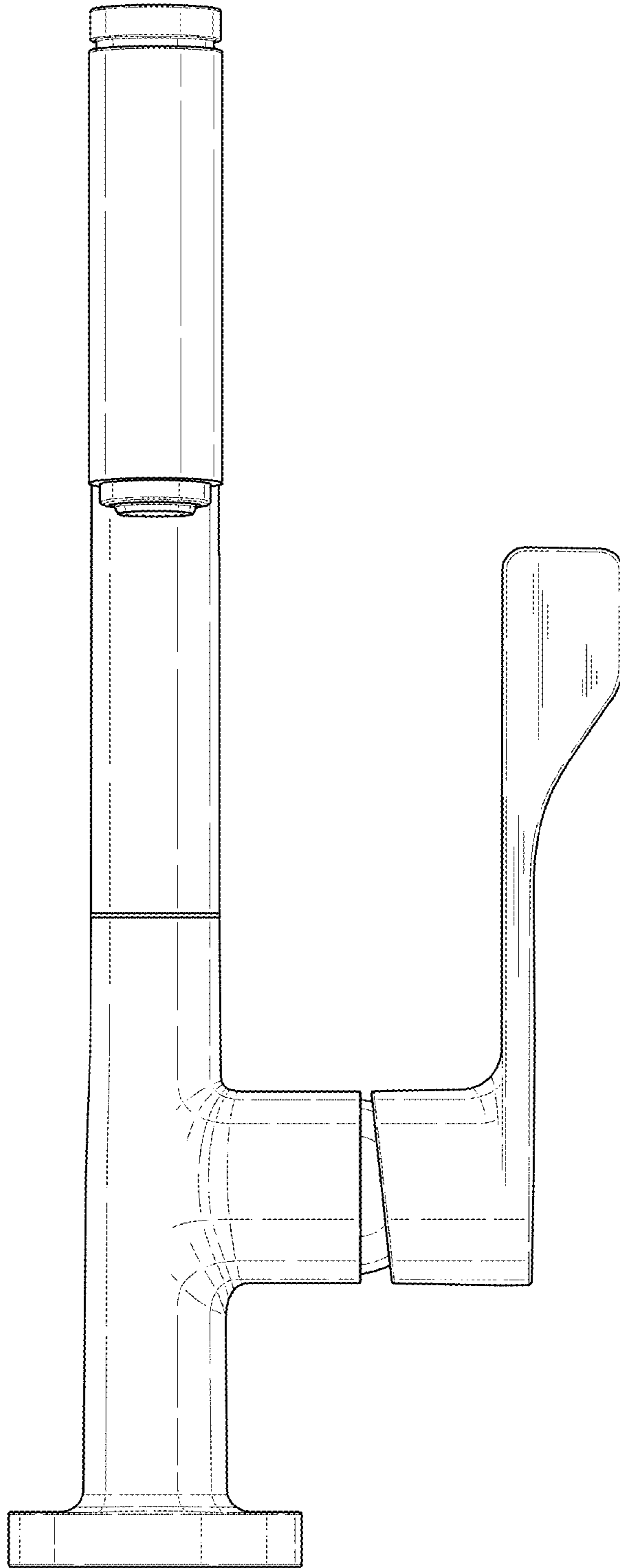


FIG. 3

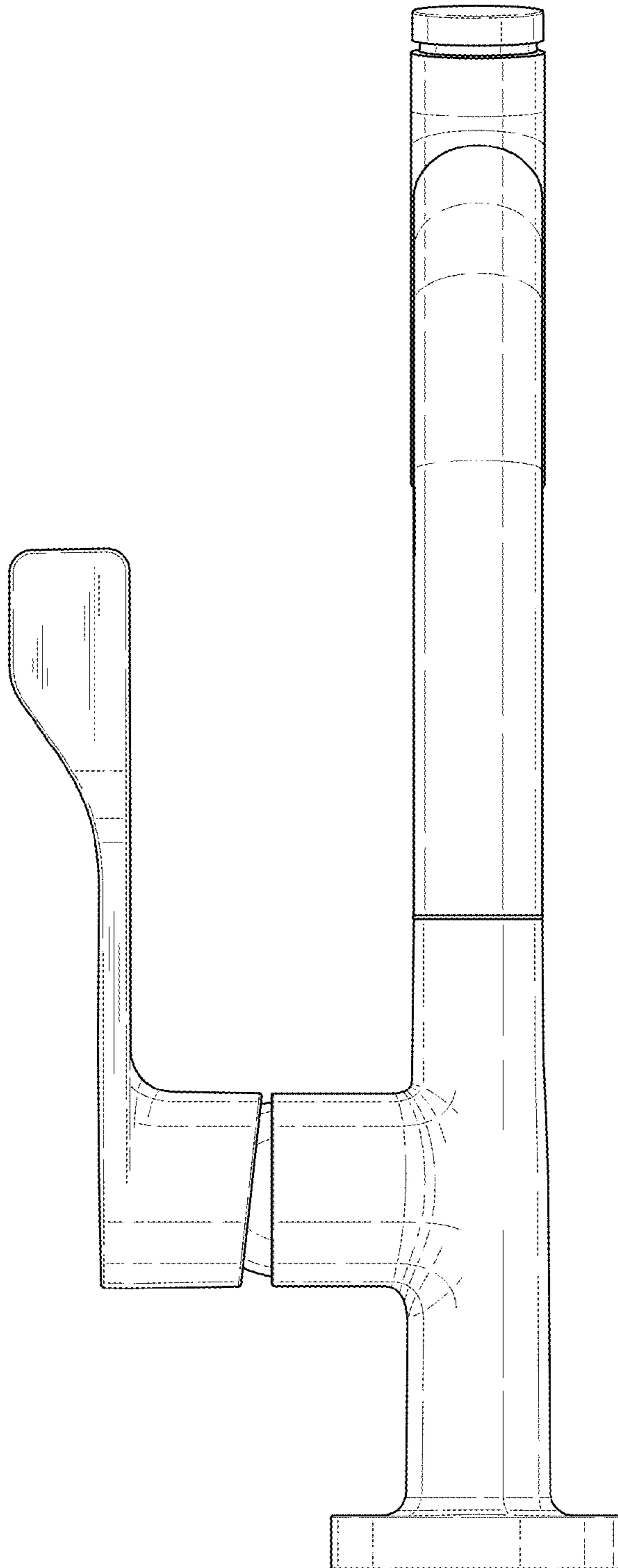


FIG. 4

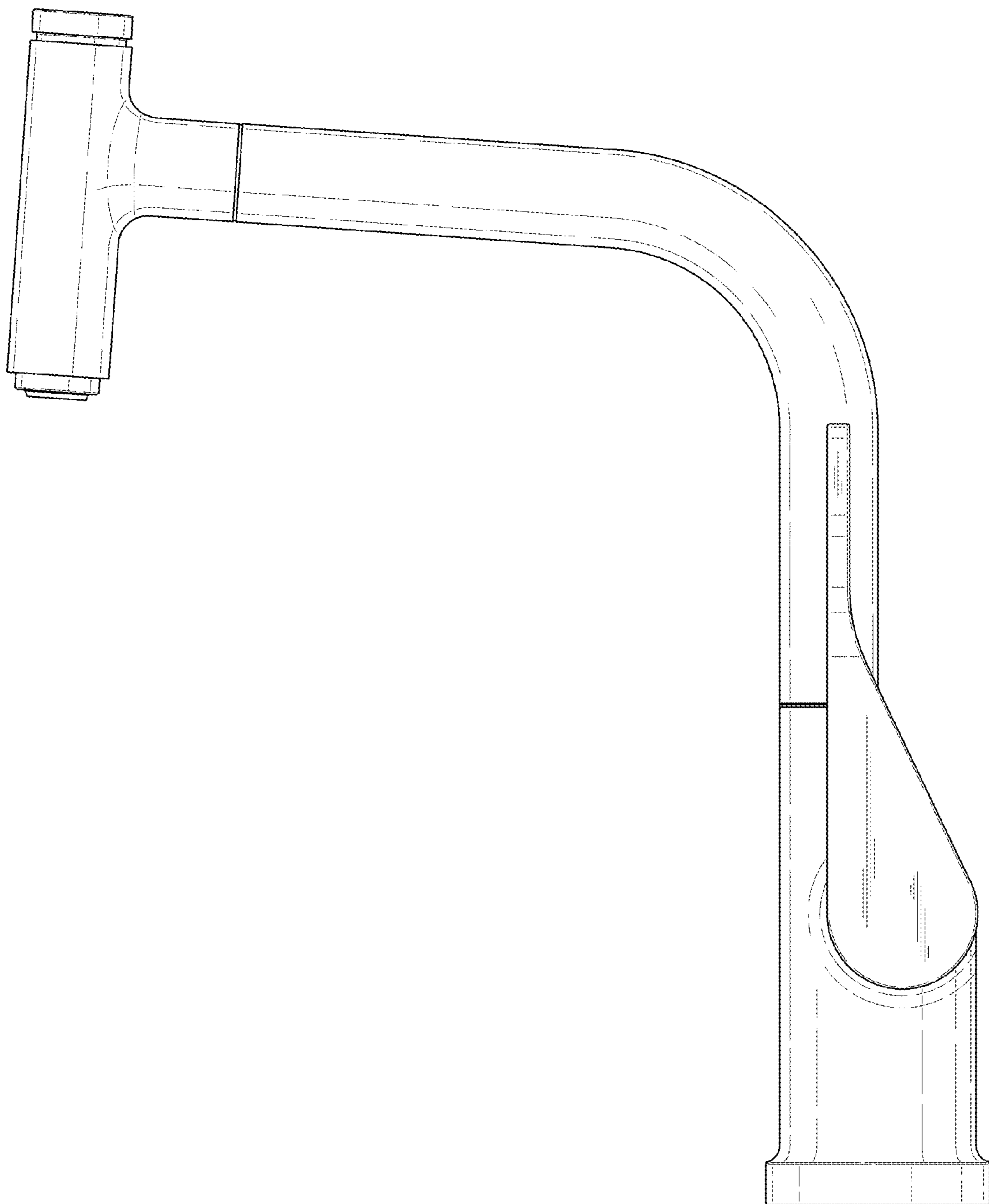


FIG. 5

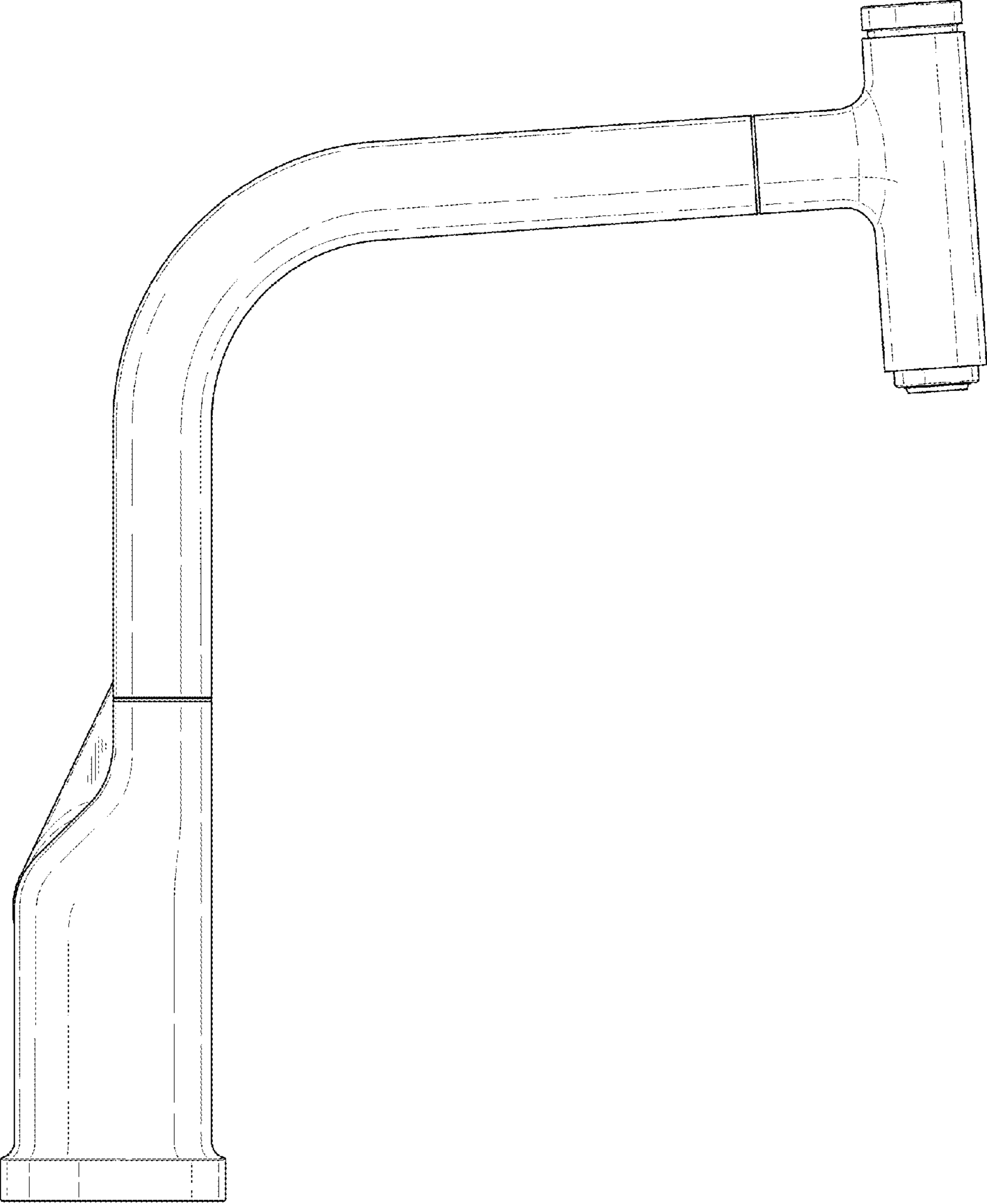


FIG. 6

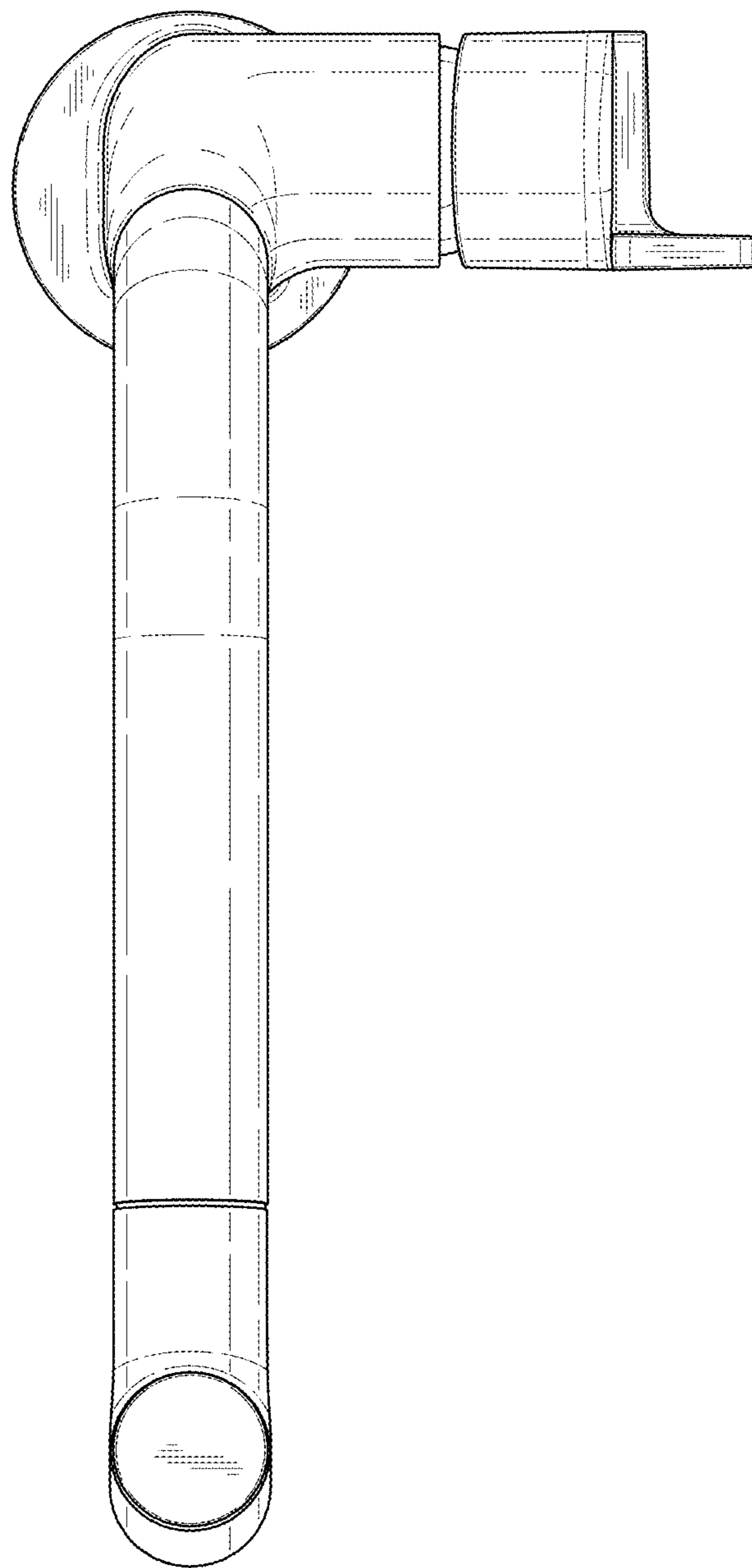


FIG. 7

