

US00D767096S

(12) **United States Design Patent**
Chen

(10) **Patent No.:** **US D767,096 S**
(45) **Date of Patent:** **** Sep. 20, 2016**

(54) **SPRAY HEAD**

(71) Applicant: **SHIN TAI SPURT WATER OF THE GARDEN TOOLS CO., LTD.**,
Lu-Kang Town, Chang-Hua Hsien (TW)

(72) Inventor: **Chin-Yuan Chen**, Lu-Kang Town (TW)

(73) Assignee: **SHIN TAI SPURT WATER OF THE GARDEN TOOLS CO., LTD.**,
Chang-Hua Hsien (TW)

(**) Term: **15 Years**

(21) Appl. No.: **29/530,592**

(22) Filed: **Jun. 18, 2015**

(51) **LOC (10) Cl.** **23-01**

(52) **U.S. Cl.**
USPC **D23/226**

(58) **Field of Classification Search**
USPC D23/213, 223, 226; 239/525, 526, 459
CPC B05B 1/00; B05B 9/01
See application file for complete search history.

(56) **References Cited**

U.S. PATENT DOCUMENTS

D408,496 S * 4/1999 Wang D23/226
D408,497 S * 4/1999 Wang D23/226

D431,070 S * 9/2000 Hsieh D23/226
D451,982 S * 12/2001 Chao D23/226
D453,371 S * 2/2002 Wang D23/226
D465,550 S * 11/2002 Wang D23/226
D469,504 S * 1/2003 Chen D23/226
D501,538 S * 2/2005 Zeng D23/226
D534,240 S * 12/2006 Wang D23/226
D557,768 S * 12/2007 Chih D23/226
D557,769 S * 12/2007 Chih D23/226

* cited by examiner

Primary Examiner — Robin V Webster

(57) **CLAIM**

The ornamental design for a spray head, as shown and described.

DESCRIPTION

FIG. 1 is a perspective view of a spray head showing my new design;

FIG. 2 is a front elevational view thereof;

FIG. 3 is a rear elevational view thereof;

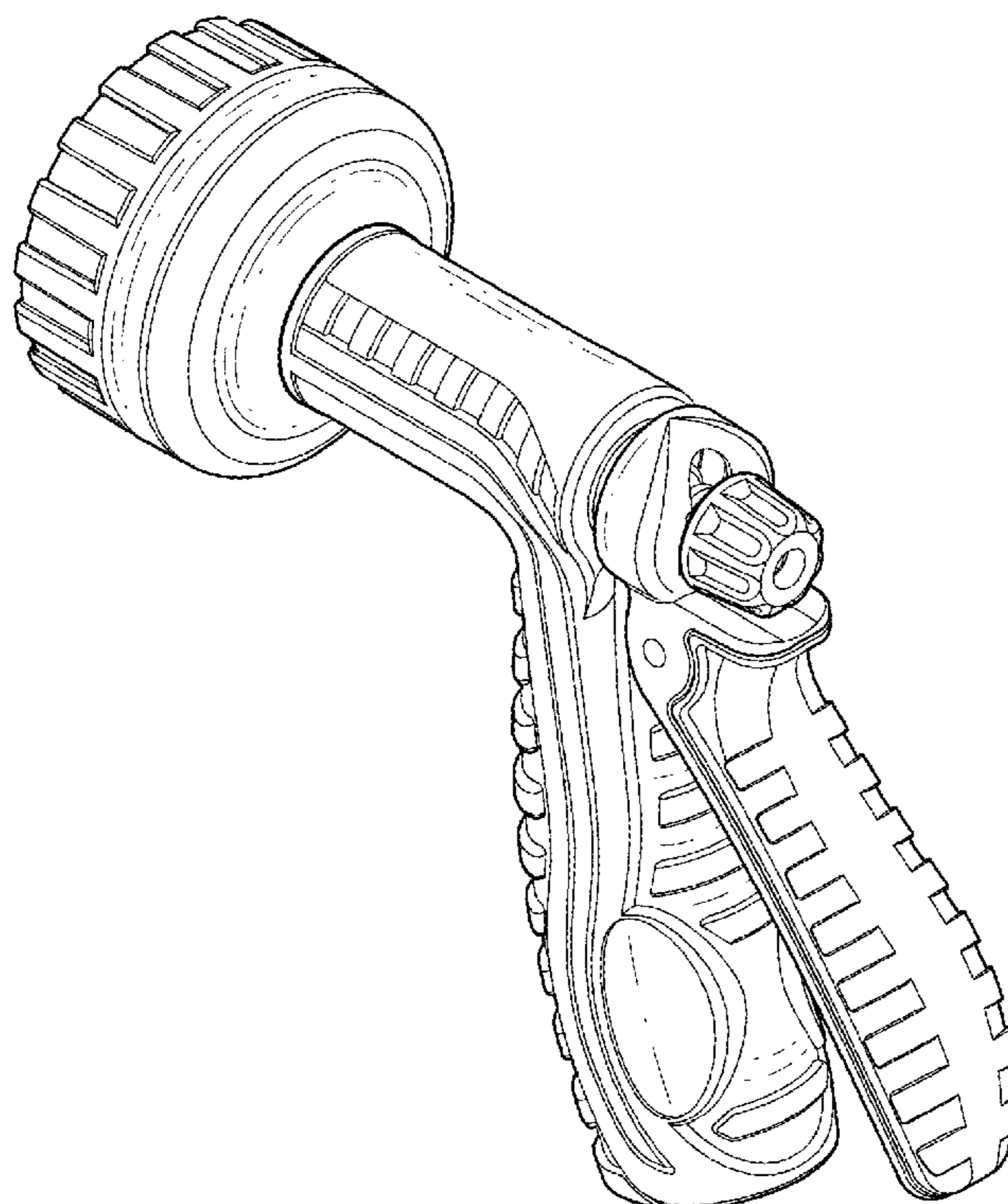
FIG. 4 is a left side elevational view thereof;

FIG. 5 is a right side elevational view thereof;

FIG. 6 is a top plan view thereof; and,

FIG. 7 is a bottom plan view thereof.

1 Claim, 4 Drawing Sheets



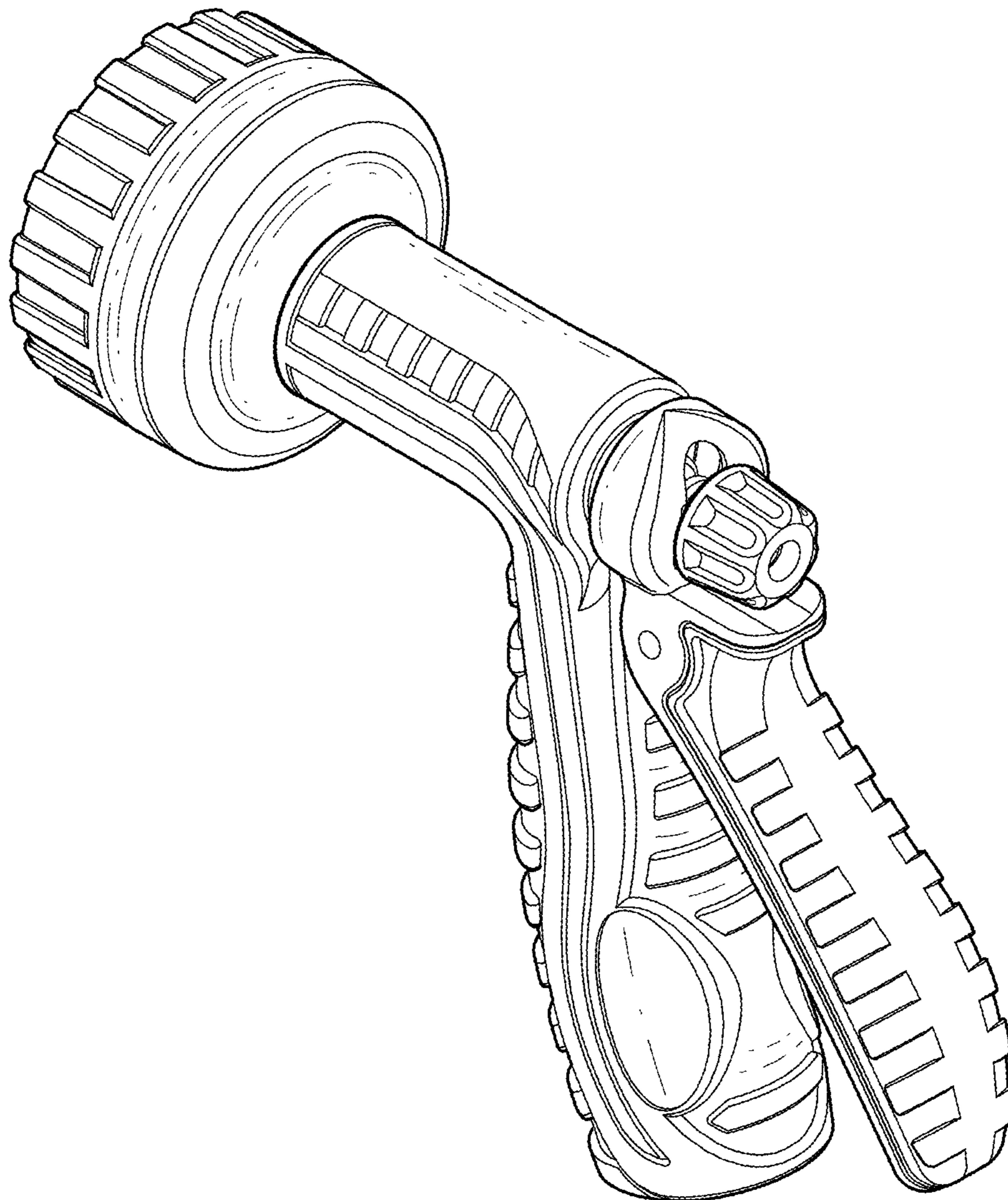


FIG. 1

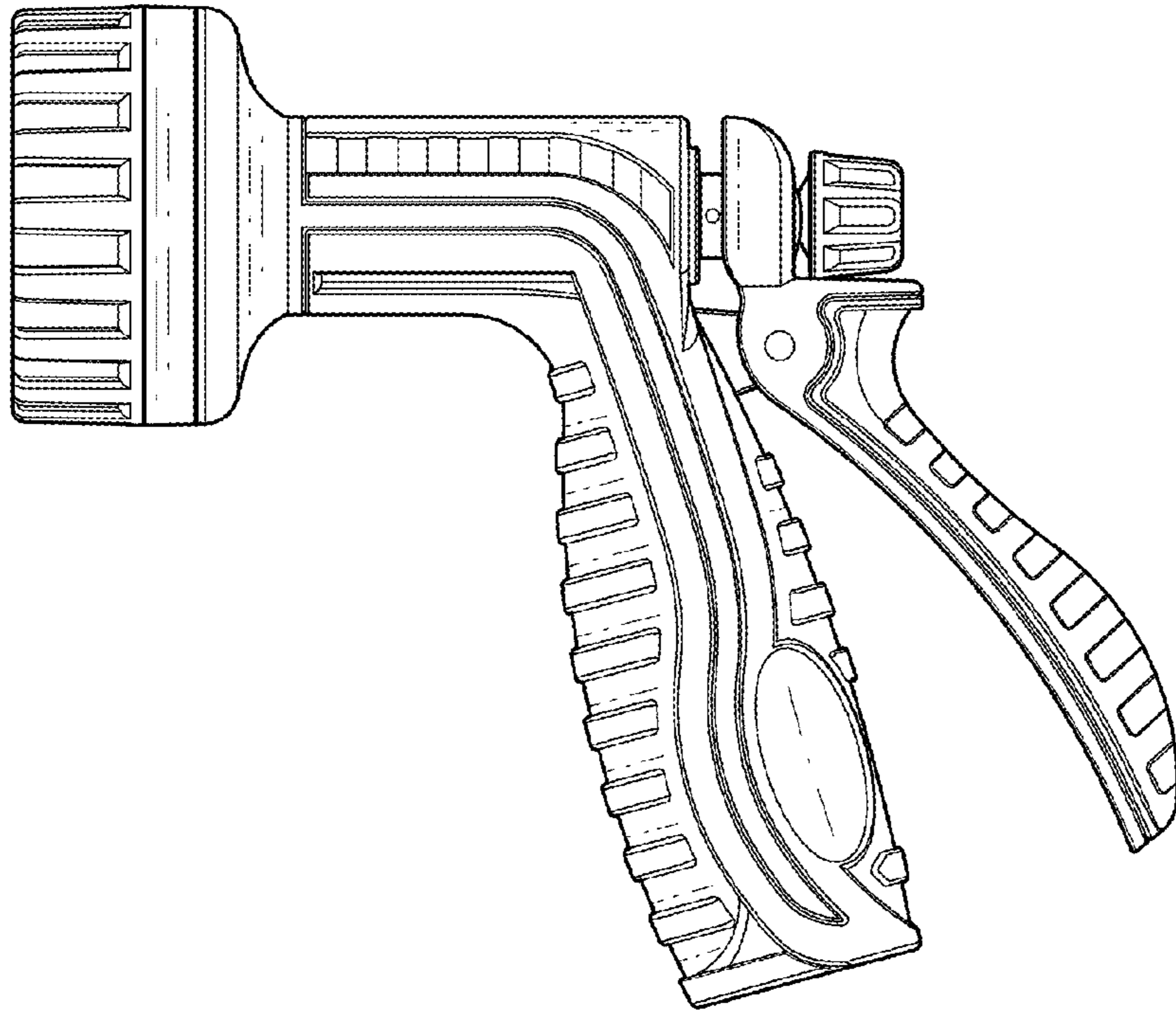


FIG. 2

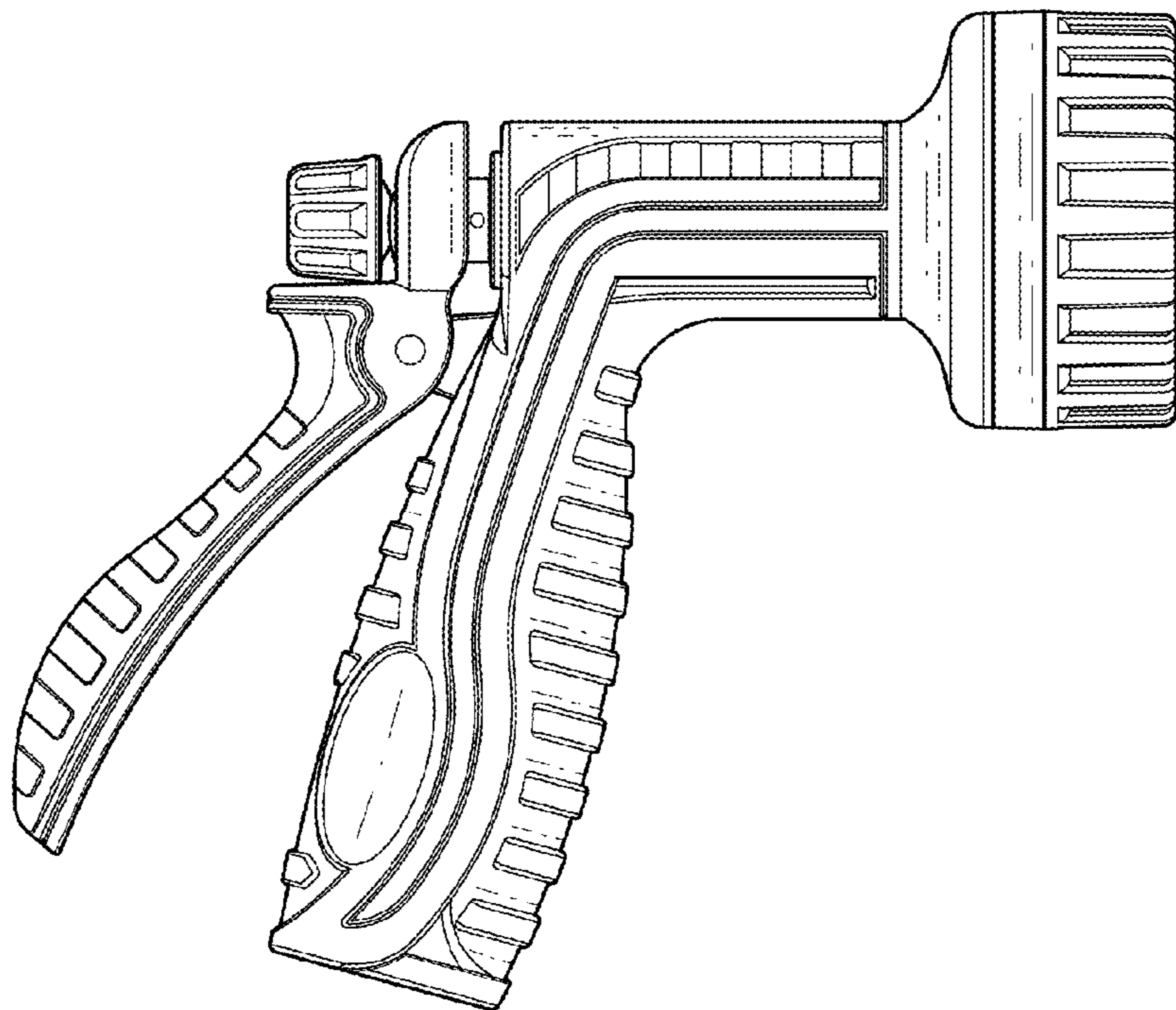


FIG. 3

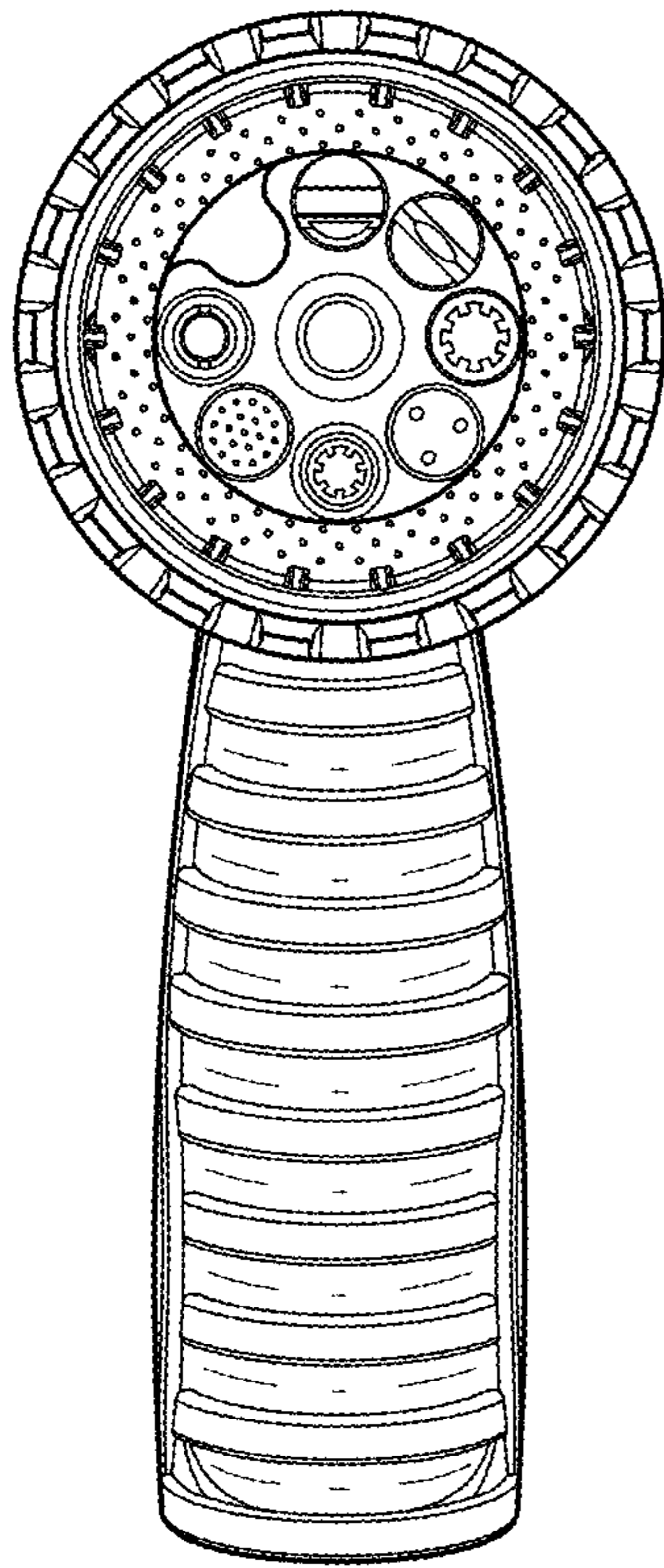


FIG. 4

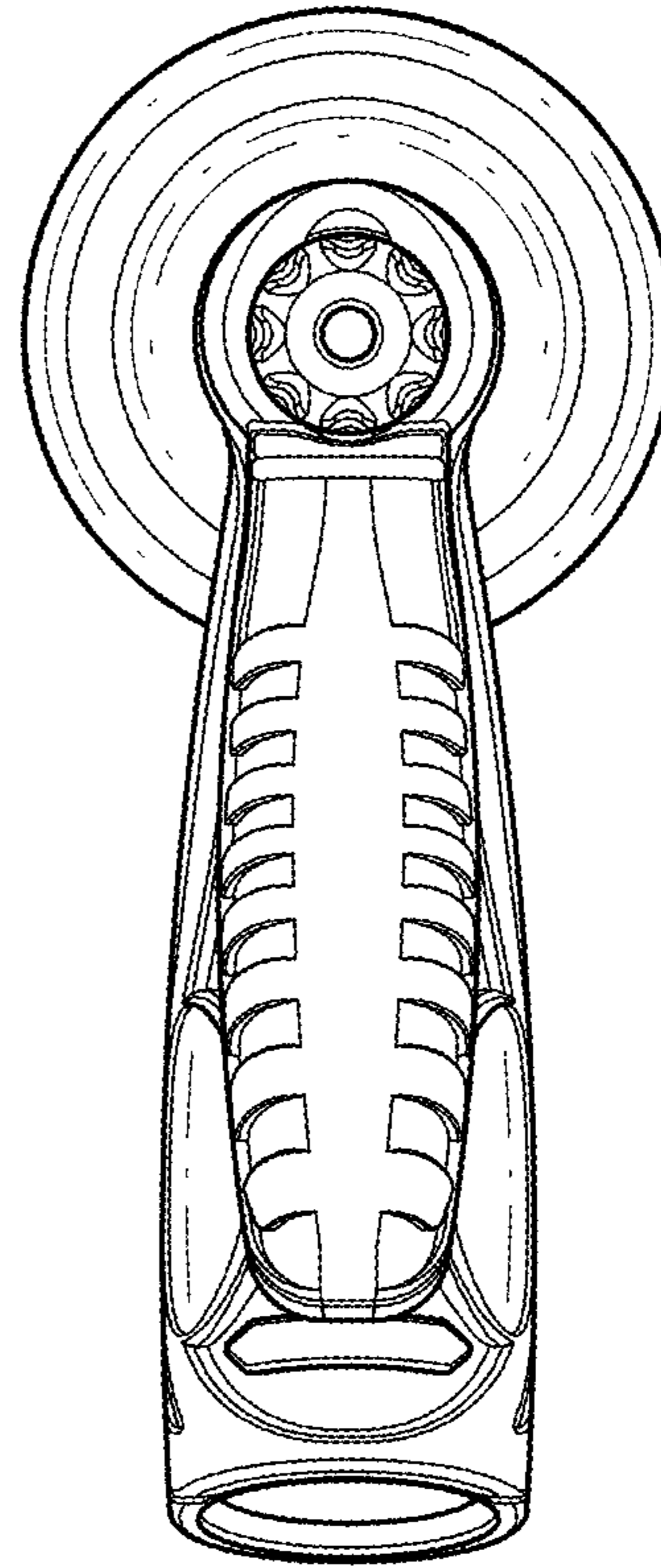


FIG. 5

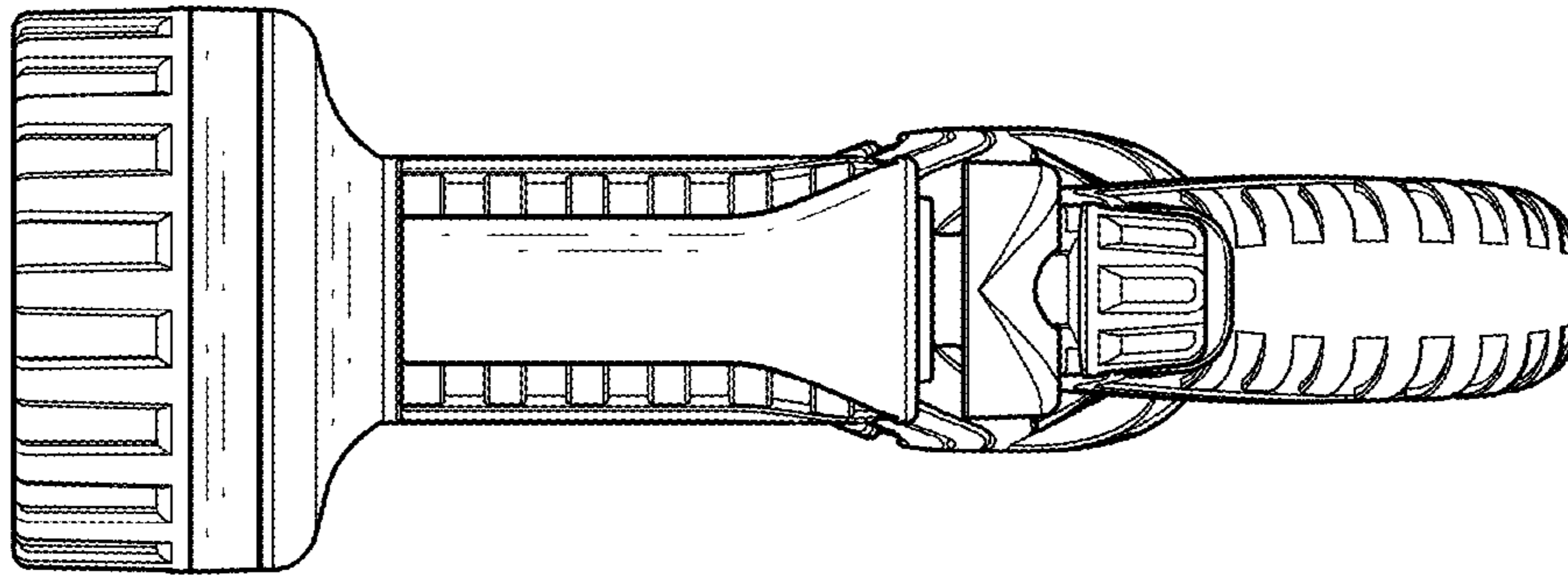


FIG. 6

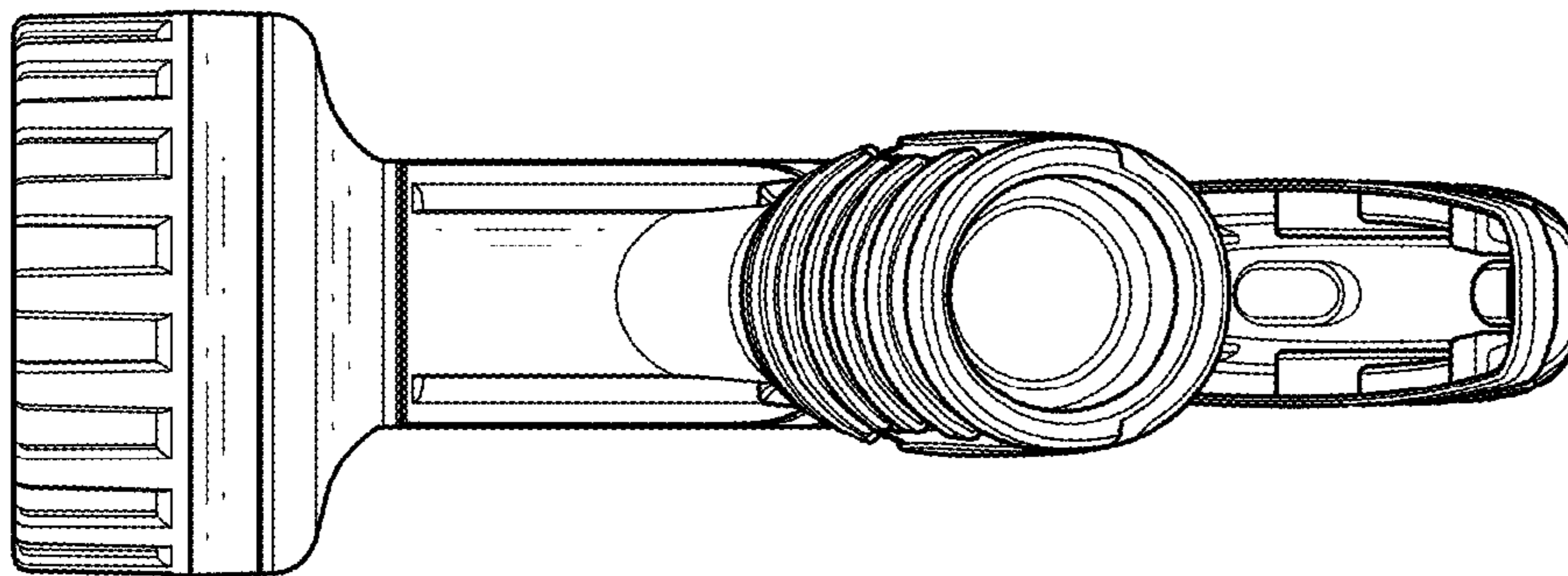


FIG. 7