



US00D767090S

(12) **United States Design Patent**
Zimak

(10) **Patent No.:** **US D767,090 S**

(45) **Date of Patent:** **** Sep. 20, 2016**

(54) **FUEL CANISTER**

(71) Applicant: **Gary Zimak**, Winnipeg (CA)

(72) Inventor: **Gary Zimak**, Winnipeg (CA)

(**) Term: **14 Years**

(21) Appl. No.: **29/486,532**

(22) Filed: **Mar. 31, 2014**

(51) **LOC (10) Cl.** **23-01**

(52) **U.S. Cl.**
USPC **D23/211.2**

(58) **Field of Classification Search**
USPC D9/500, 516, 530, 763-783, 527, 528,
D9/531, 533-535, 547; 215/381-385;
220/660, 669, 675; D23/211.1, 211.2,
D23/212; D12/218
CPC B21D 51/26; B21D 51/383; B29C 66/71;
B65D 1/40; B65D 1/0223; B65D 1/0246;
B65D 17/163; B65D 17/165; B65D 25/00;
B65D 2215/02; B65D 2517/0094; B65D
2519/00502; B65D 2543/00296; Y10T
29/49826

See application file for complete search history.

(56) **References Cited**

U.S. PATENT DOCUMENTS

D91,653 S *	3/1934	Guyer	215/383
D239,697 S *	4/1976	Hunt	D9/522
D288,174 S *	2/1987	Mednis	D9/523
D303,928 S *	10/1989	Mednis	D9/523
D356,542 S *	3/1995	Finkiewicz	D12/411
D485,497 S *	1/2004	Steele, IV	D9/516
D486,399 S *	2/2004	Bakic	D9/500
D516,434 S *	3/2006	McGuire	D9/524

D563,788 S *	3/2008	Reimann	D9/516
D571,671 S *	6/2008	de France	D9/522
D595,140 S *	6/2009	Reimann	D9/530
D646,167 S *	10/2011	Wurth	D9/516
D661,194 S *	6/2012	Gardela	D9/516
D673,855 S *	1/2013	Burgeson	D9/522
D680,437 S *	4/2013	Bartolo	D9/537
D714,646 S *	10/2014	Libman	D9/523
D721,970 S *	2/2015	Snyder	D9/522

* cited by examiner

Primary Examiner — Keli L Hill

(74) *Attorney, Agent, or Firm* — Curtis B. Behmann

(57) **CLAIM**

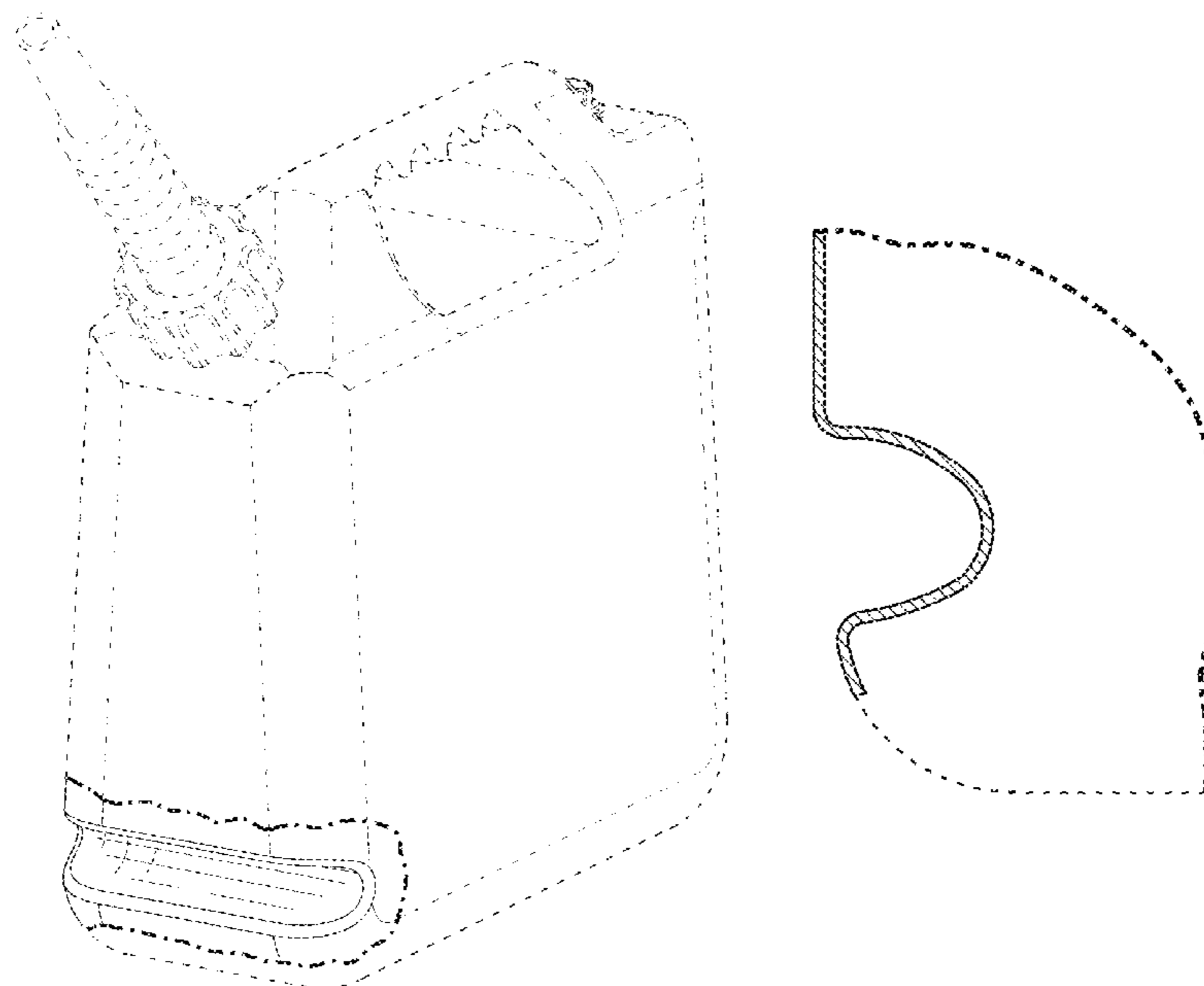
The ornamental design a fuel canister, as shown and described.

DESCRIPTION

FIG. 1 is a front right perspective view of a fuel canister incorporating my new design;
FIG. 2 is a bottom left perspective view thereof;
FIG. 3 is a right side view thereof;
FIG. 4 is a left side view thereof;
FIG. 5 is a front view thereof;
FIG. 6 is an enlarged cross-sectional view of the base of FIG. 5;
FIG. 7 is a rear view thereof;
FIG. 8 is a top view thereof; and,
FIG. 9 is a bottom view thereof.

The dot-dot-dash broken lines represent the bounds of the claimed design while all other broken lines are included for the purpose of illustrating portions of the fuel canister; the broken lines form no part of the claimed design.

1 Claim, 5 Drawing Sheets



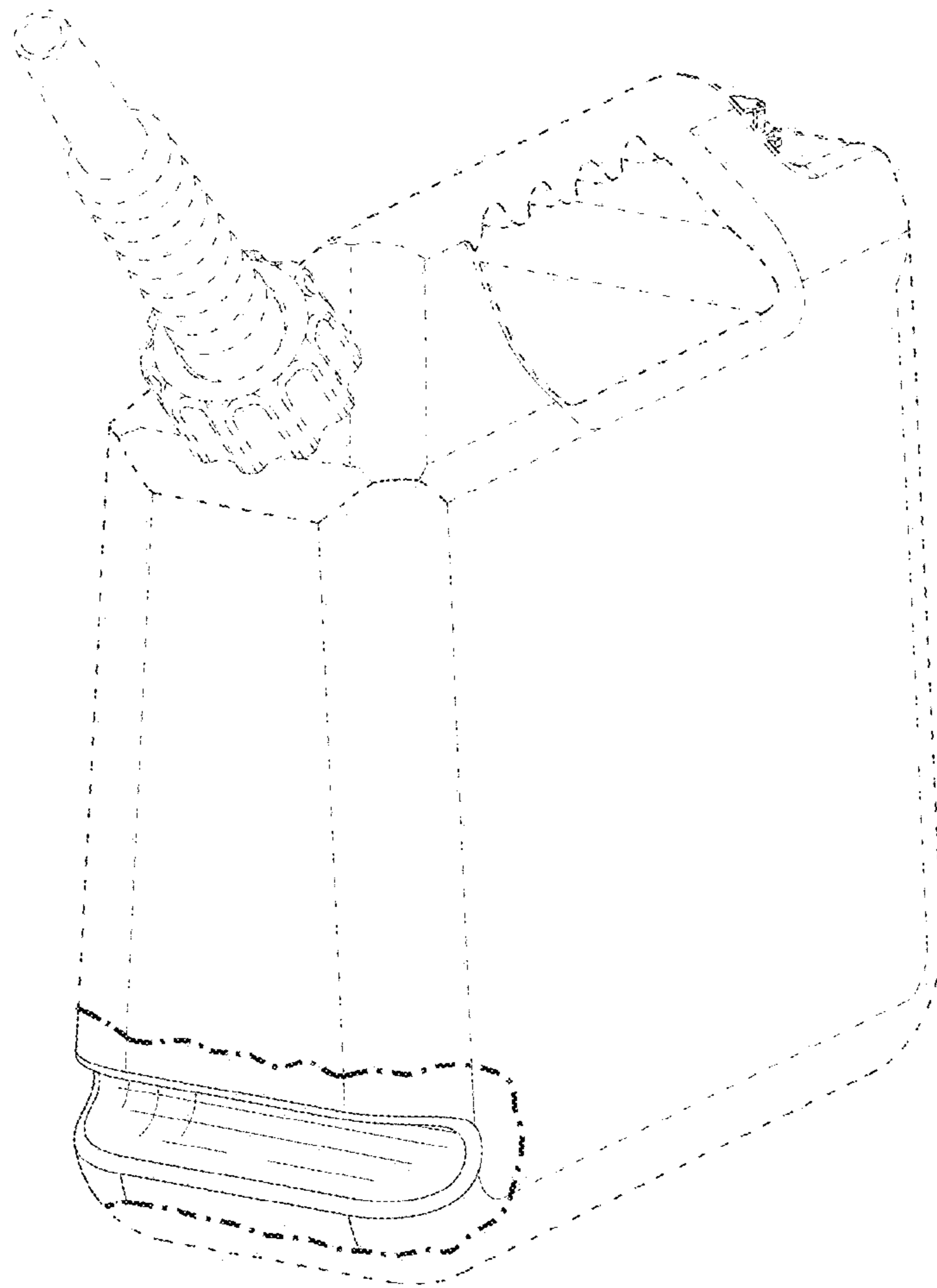


FIG.1

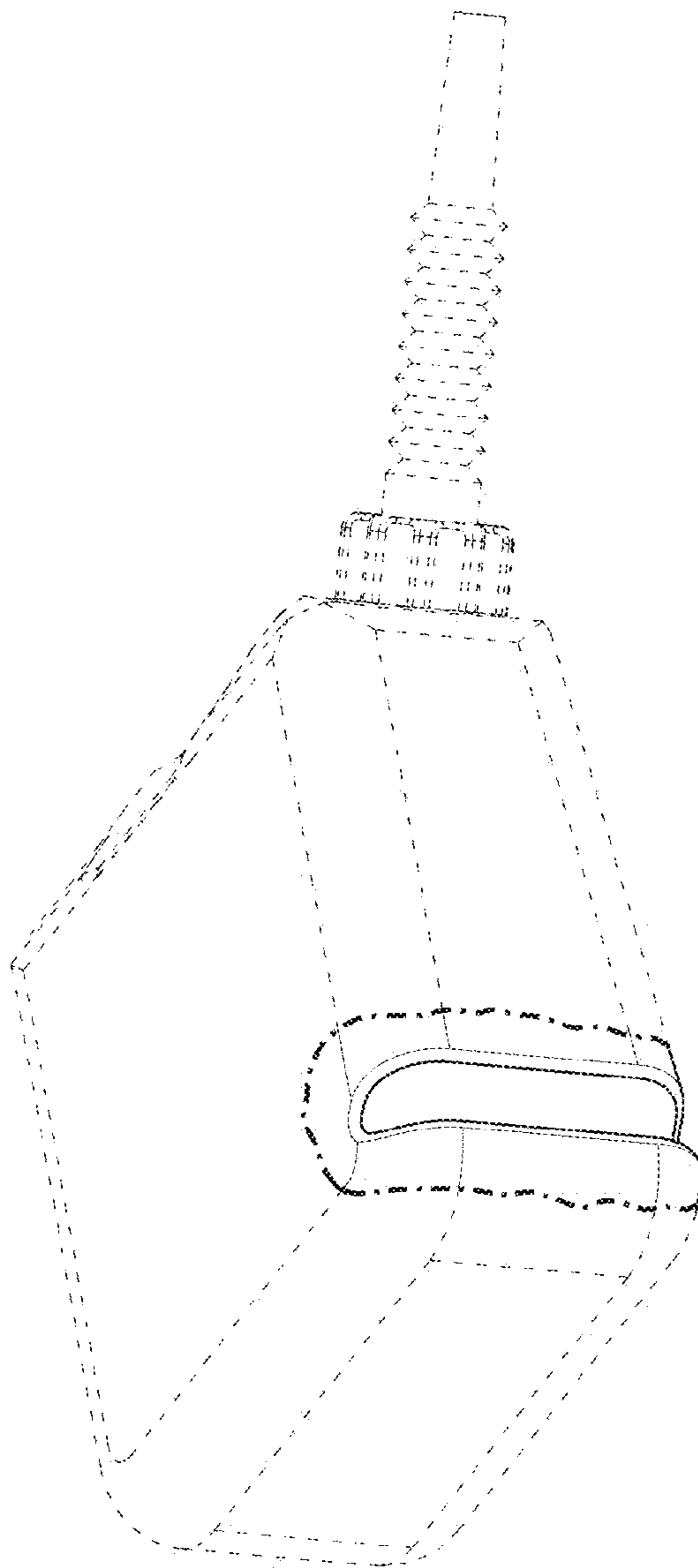


FIG.2

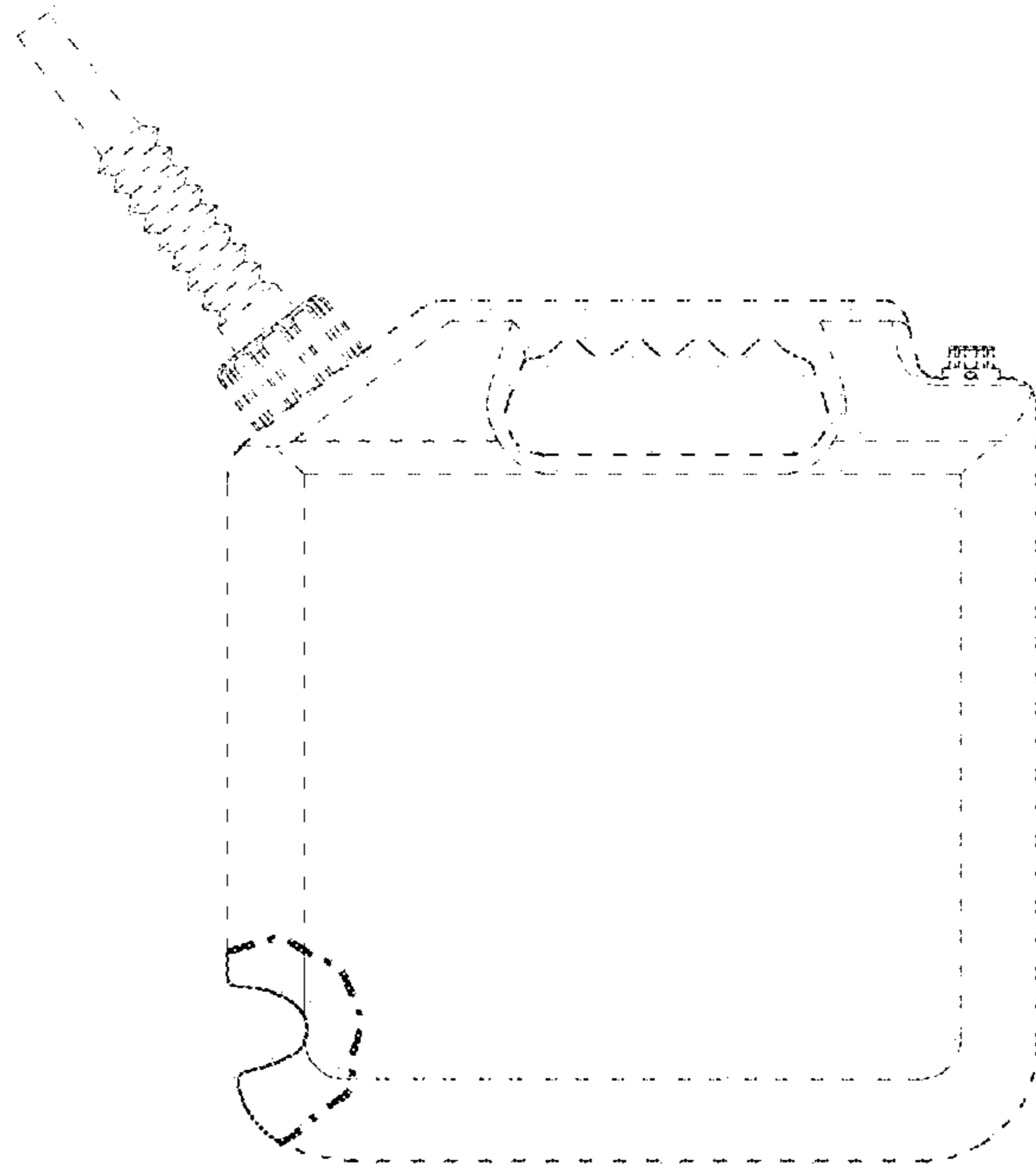


FIG.3

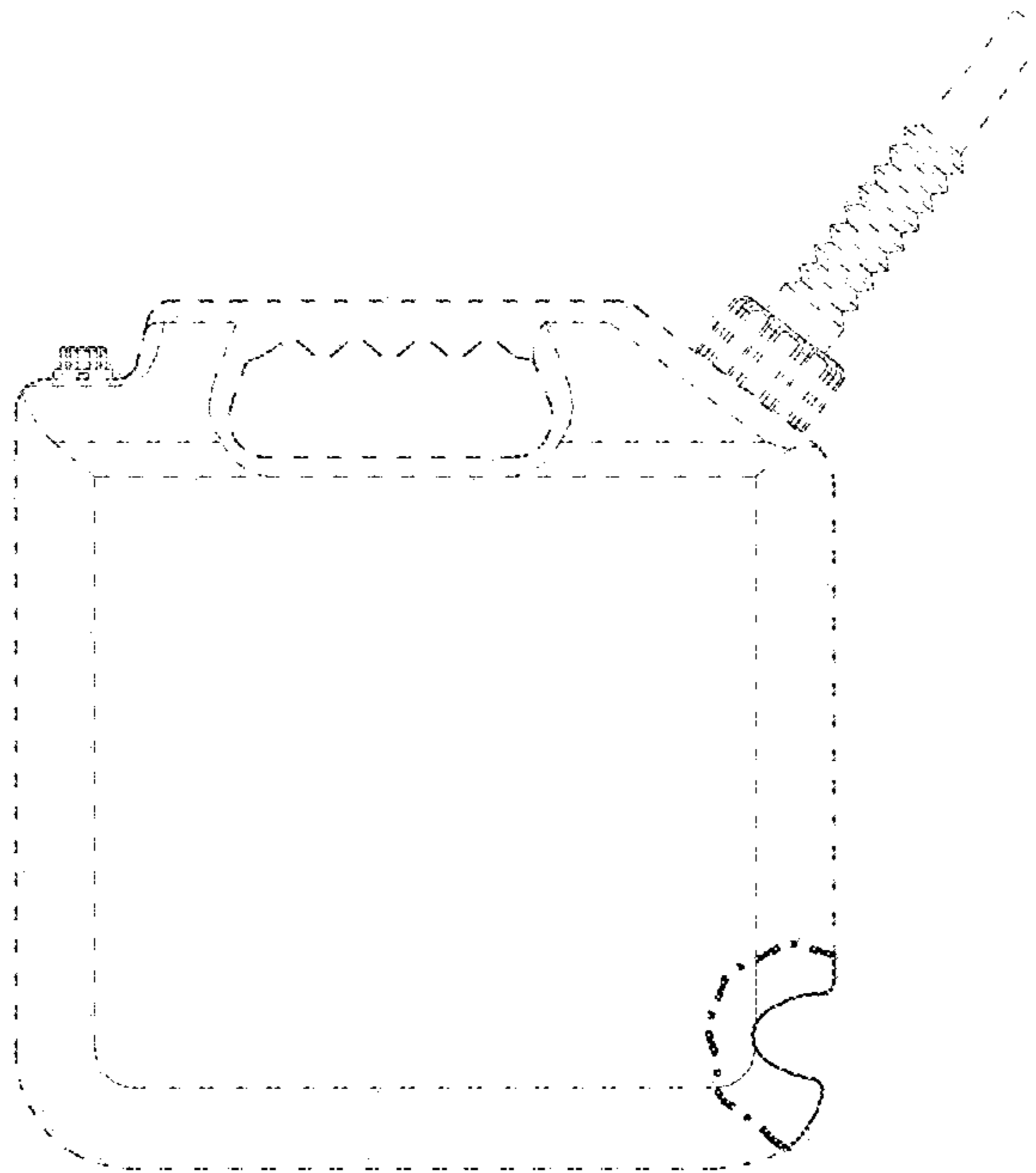


FIG.4

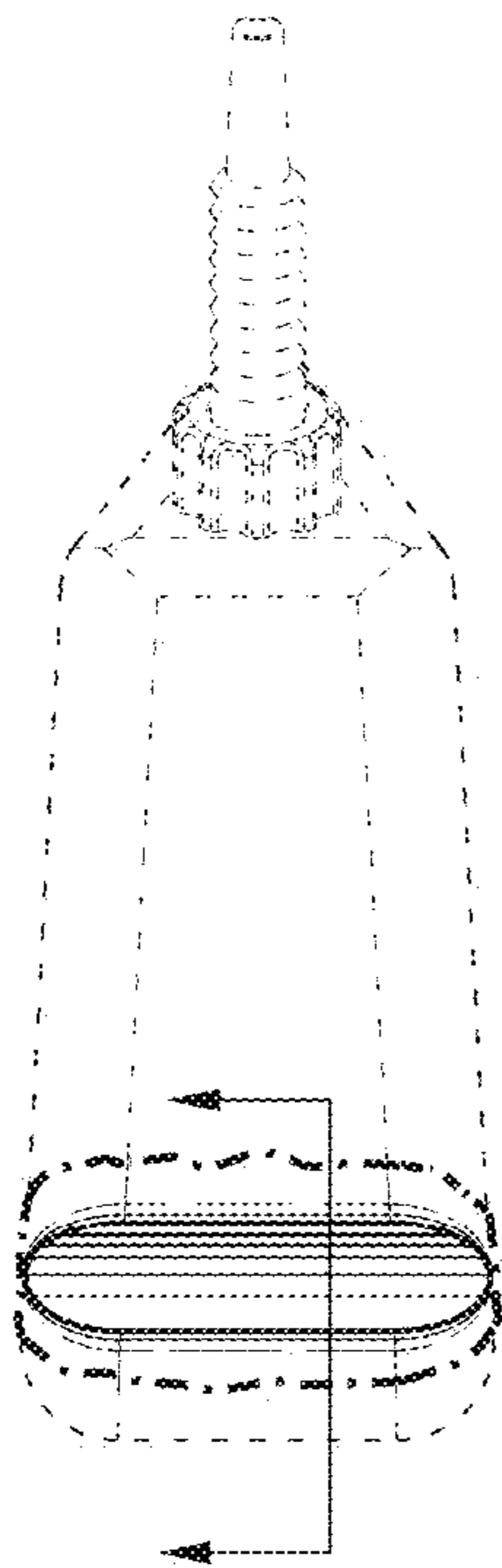


FIG. 5

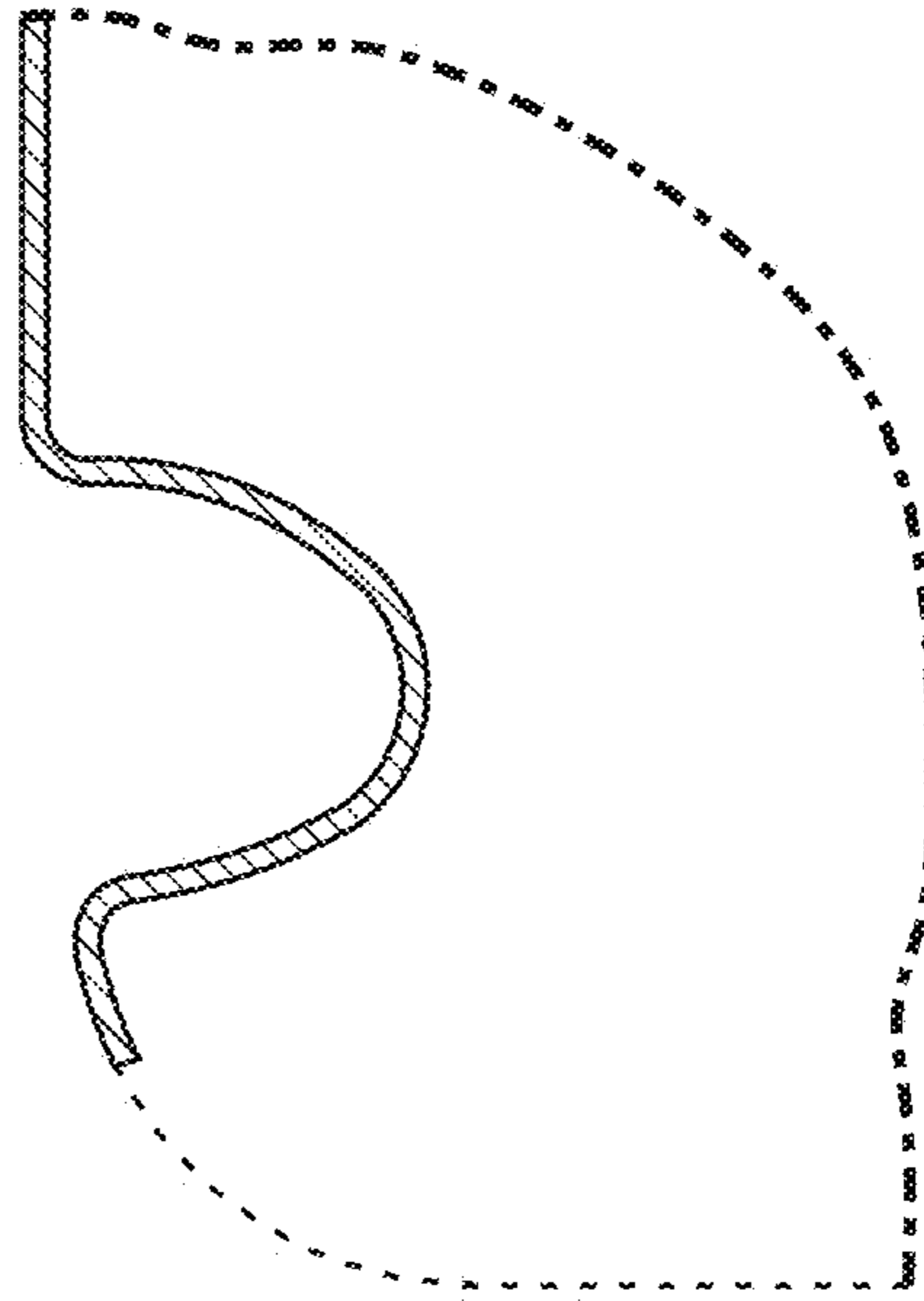


FIG. 6

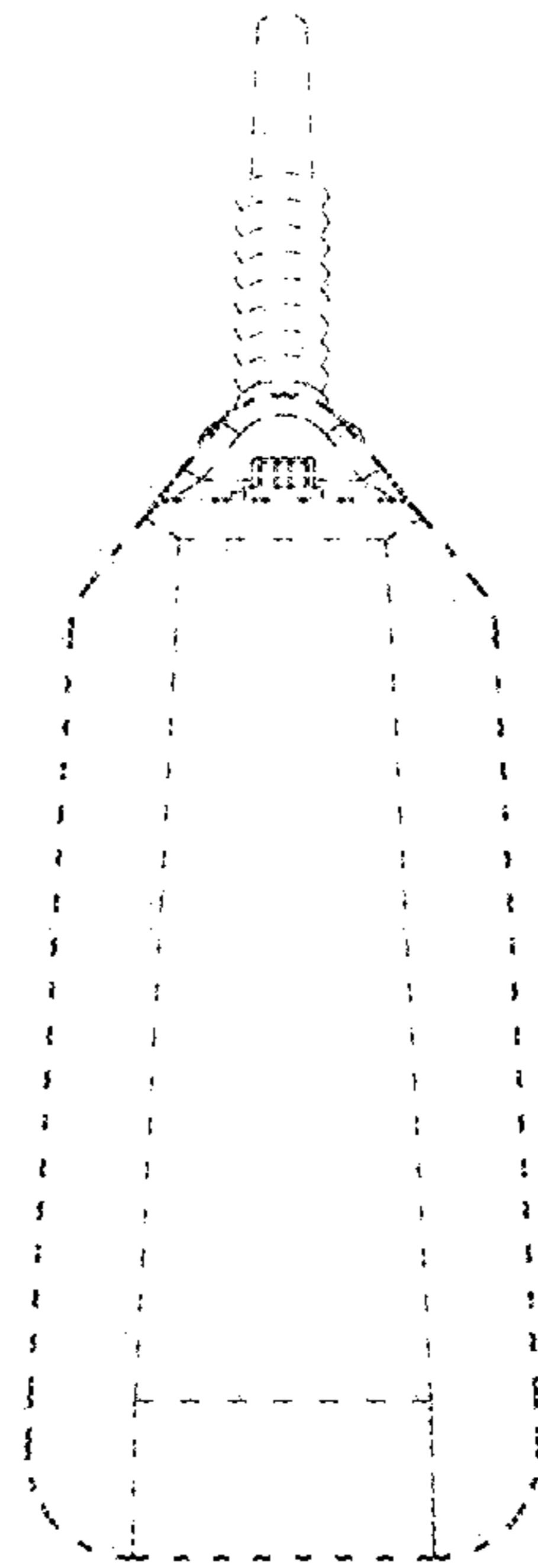


FIG. 7

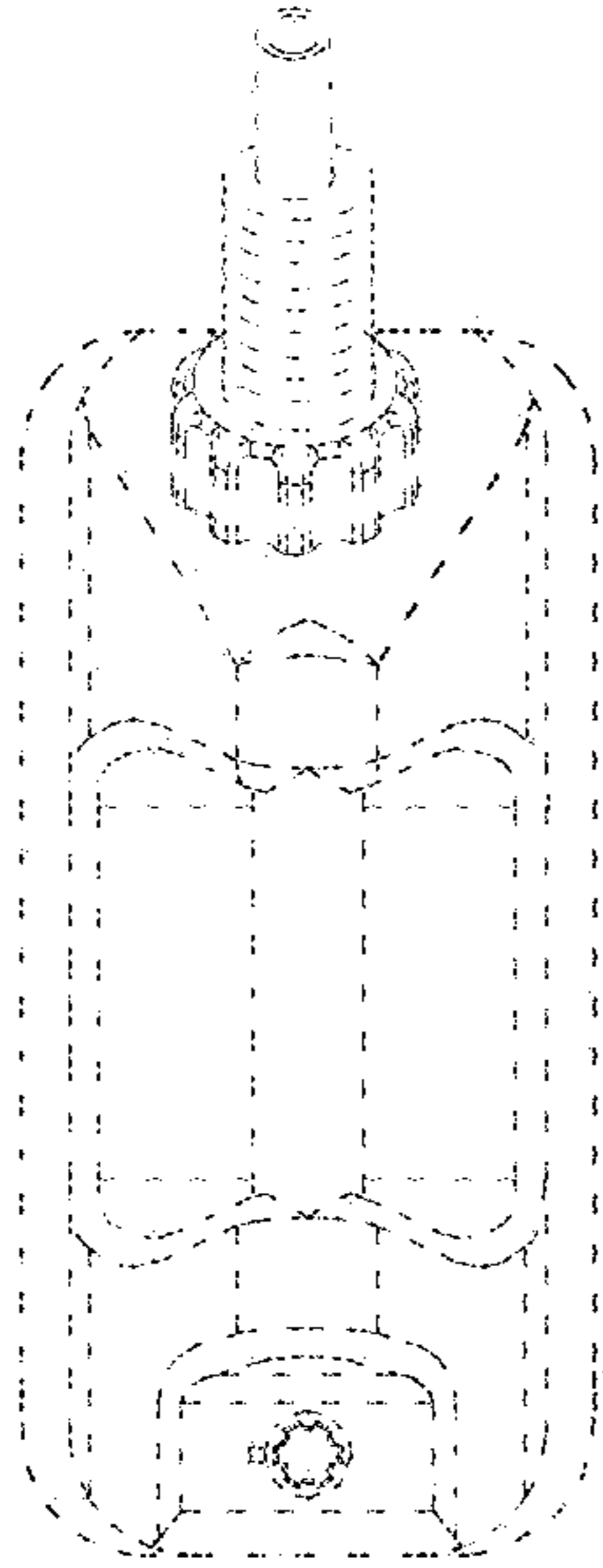


FIG. 8

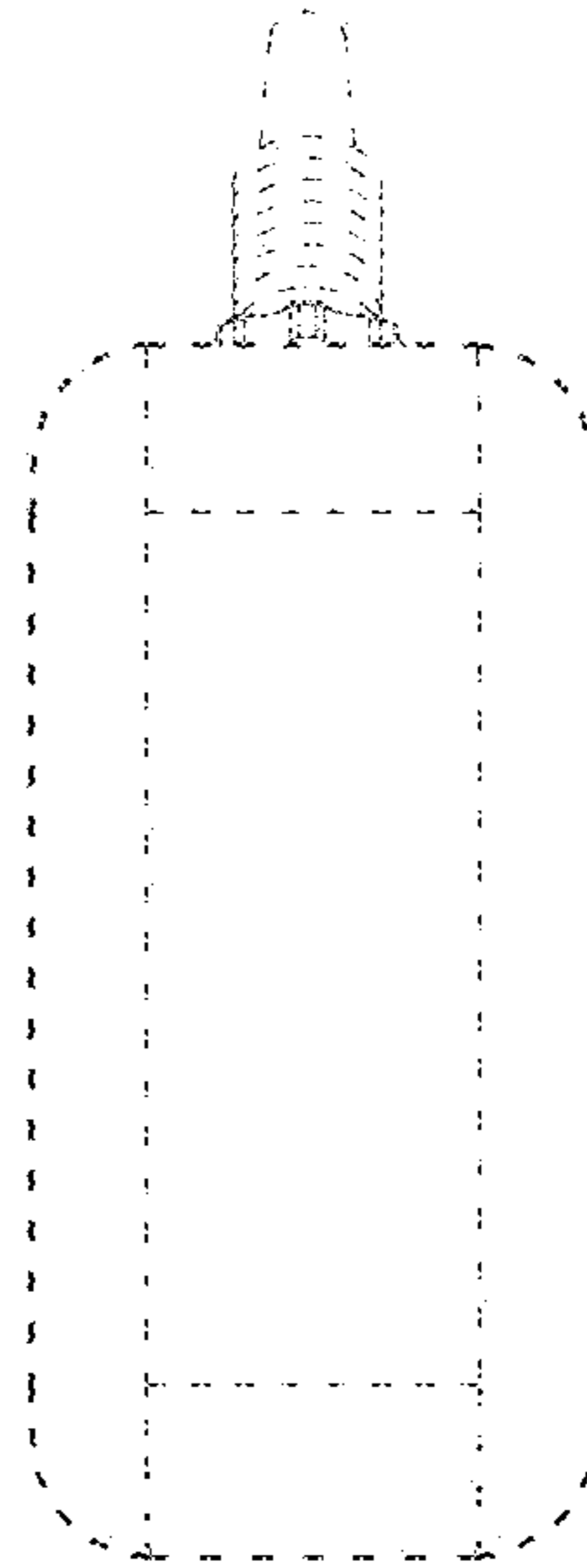


FIG. 9