



US00D767088S

(12) **United States Design Patent**
Lin

(10) **Patent No.:** **US D767,088 S**

(45) **Date of Patent:** **** Sep. 20, 2016**

(54) **FISHING ROD REEL SEAT**

D672,429 S * 12/2012 Lin D22/142

(71) Applicant: **Yi-Te Lin**, Tainan (TW)

* cited by examiner

(72) Inventor: **Yi-Te Lin**, Tainan (TW)

Primary Examiner — Catheri Oliver-Garcia

(**) Term: **14 Years**

(57) **CLAIM**

(21) Appl. No.: **29/526,658**

The ornamental design for the fishing rod reel seat, as shown and described.

(22) Filed: **May 12, 2015**

(51) **LOC (10) Cl.** **22-05**

(52) **U.S. Cl.**

USPC **D22/142**

(58) **Field of Classification Search**

USPC D22/137-142; 43/18.1 R, 22-23

CPC A01K 87/08

See application file for complete search history.

DESCRIPTION

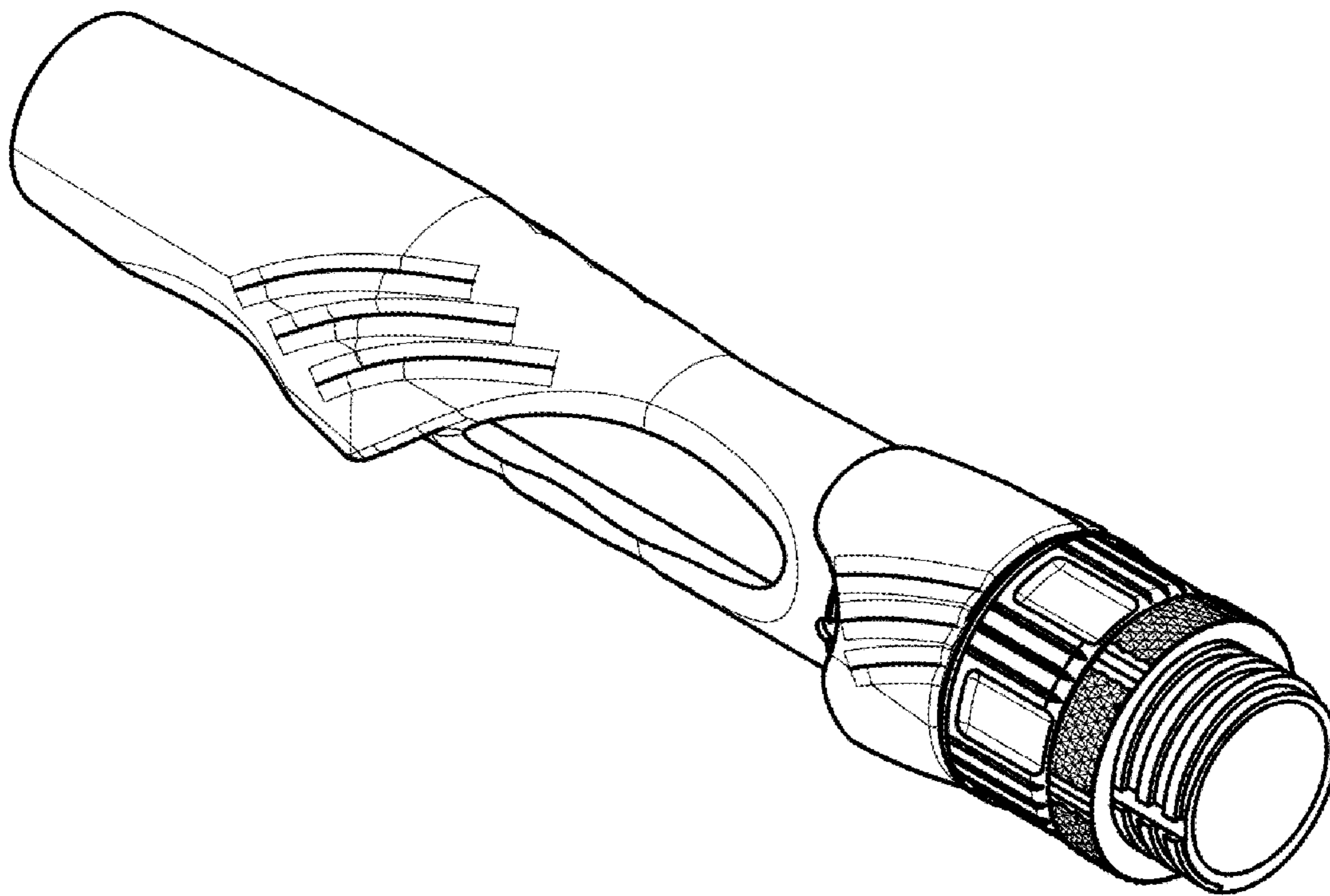
FIG. 1 is a perspective view of the fishing rod reel seat showing my new design;
FIG. 2 is a front elevation view thereof;
FIG. 3 is a rear elevation view thereof;
FIG. 4 is a left side elevation view thereof;
FIG. 5 is a right side elevation view thereof;
FIG. 6 is a top plan view thereof; and
FIG. 7 is a bottom plan view thereof; and,
FIG. 8 is another perspective view of the fishing rod reel seat.

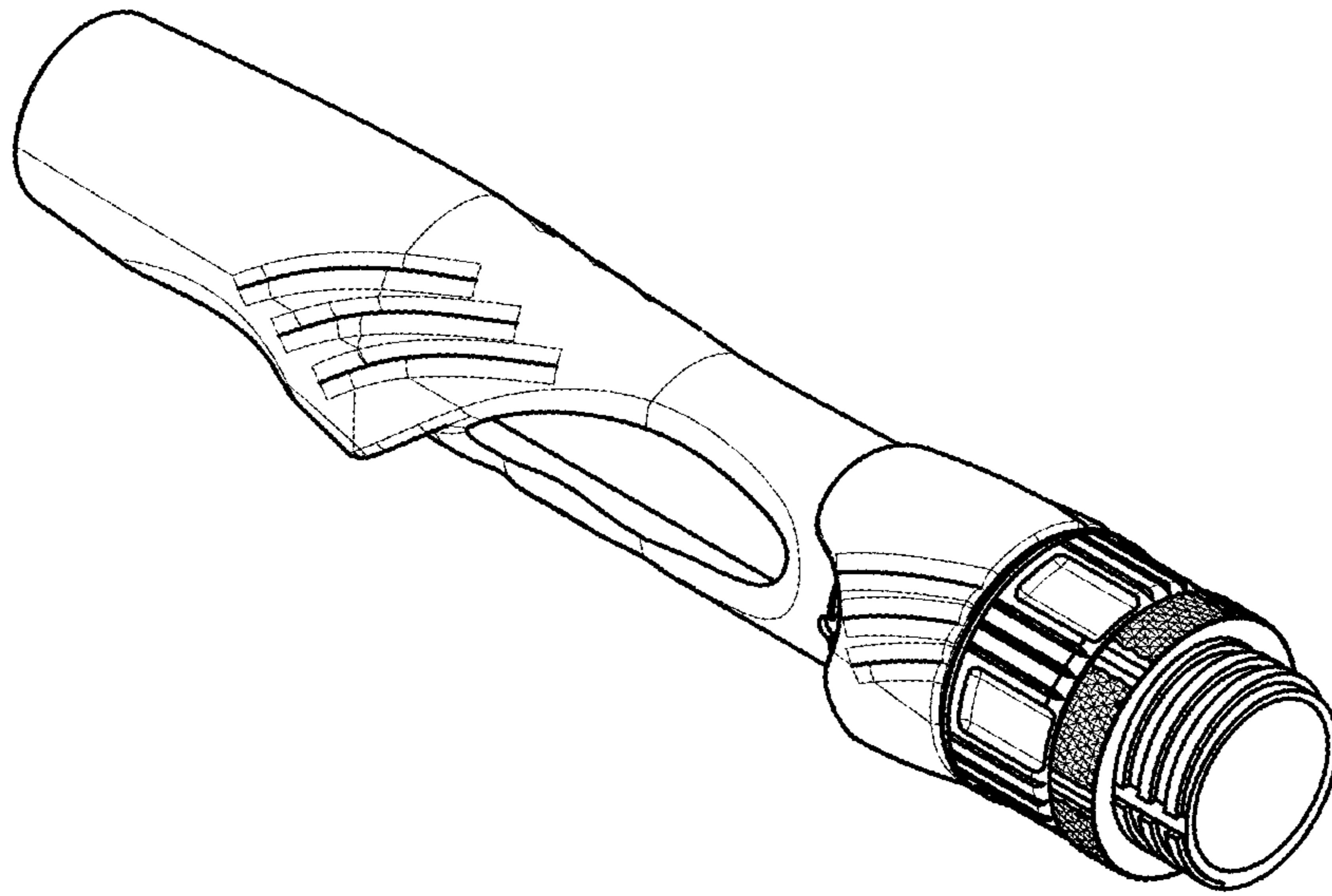
(56) **References Cited**

U.S. PATENT DOCUMENTS

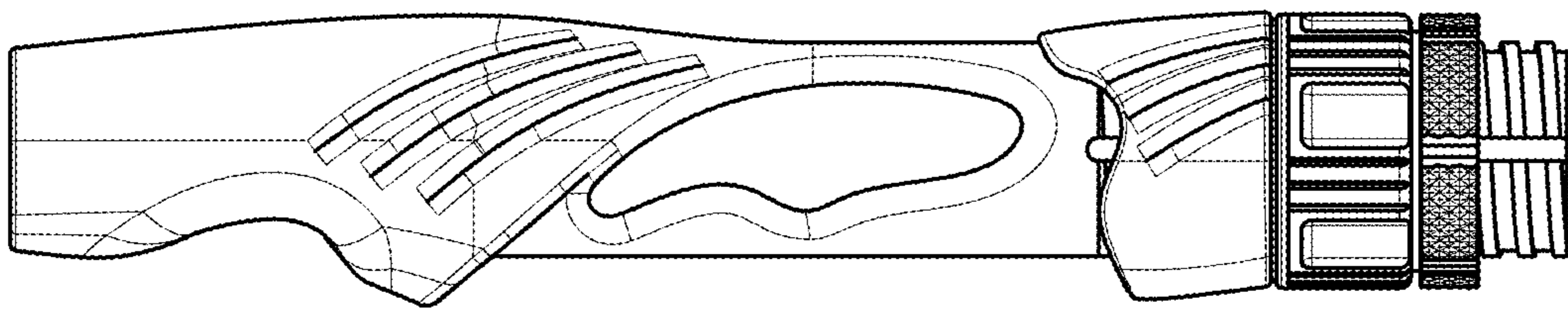
D389,554 S * 1/1998 Ohmura D22/142
D589,112 S * 3/2009 Lin D22/142
D672,428 S * 12/2012 Lin D22/142

1 Claim, 8 Drawing Sheets





F I G . 1



F I G . 2

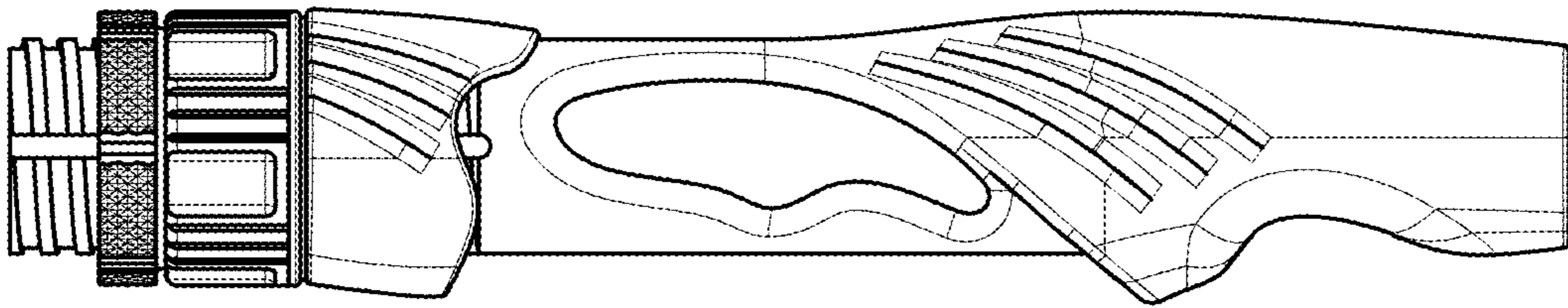
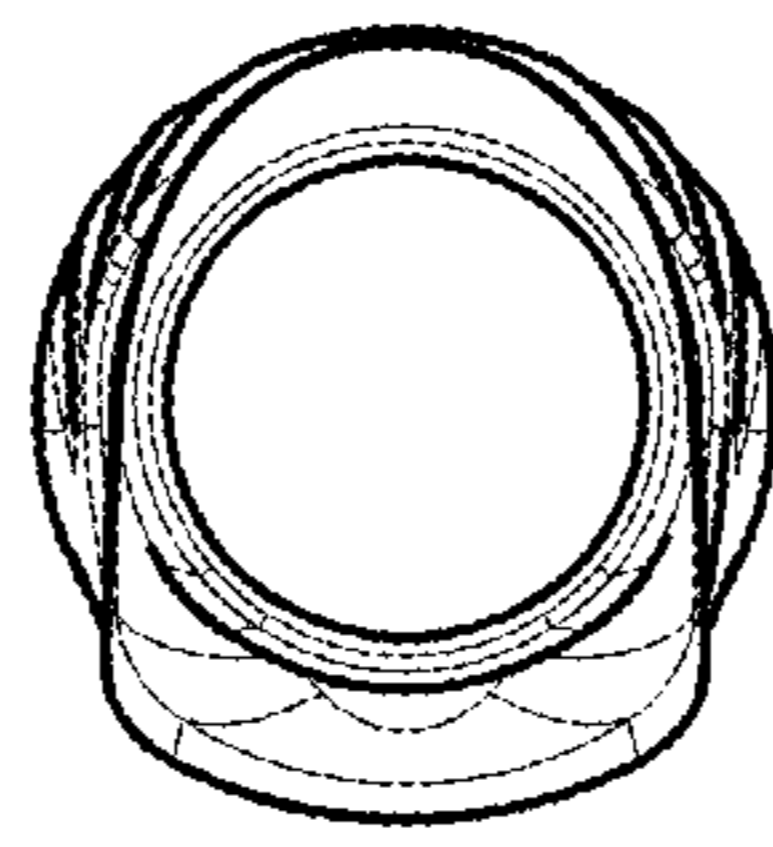
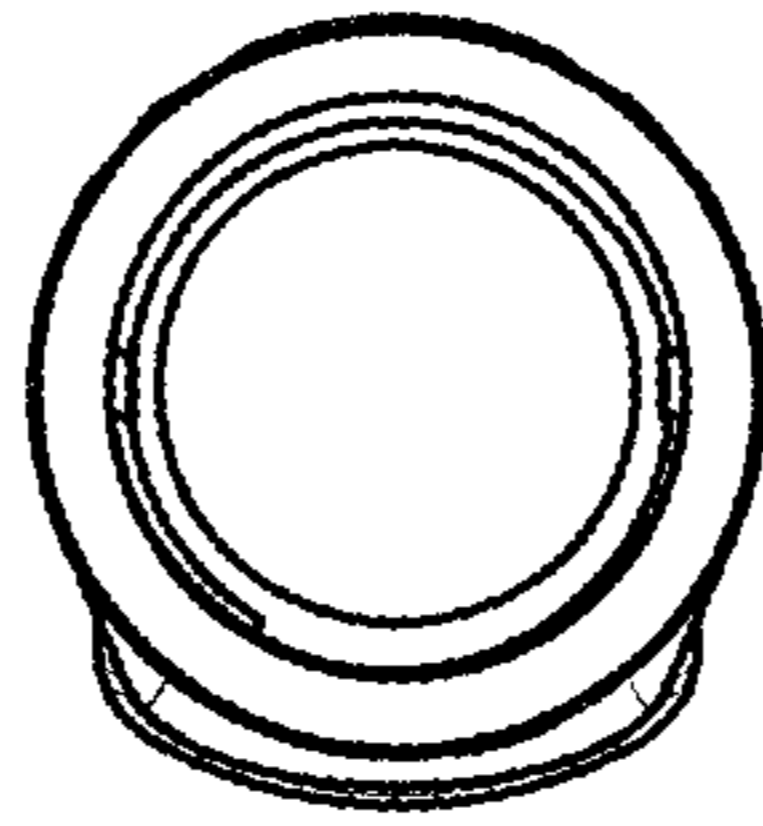


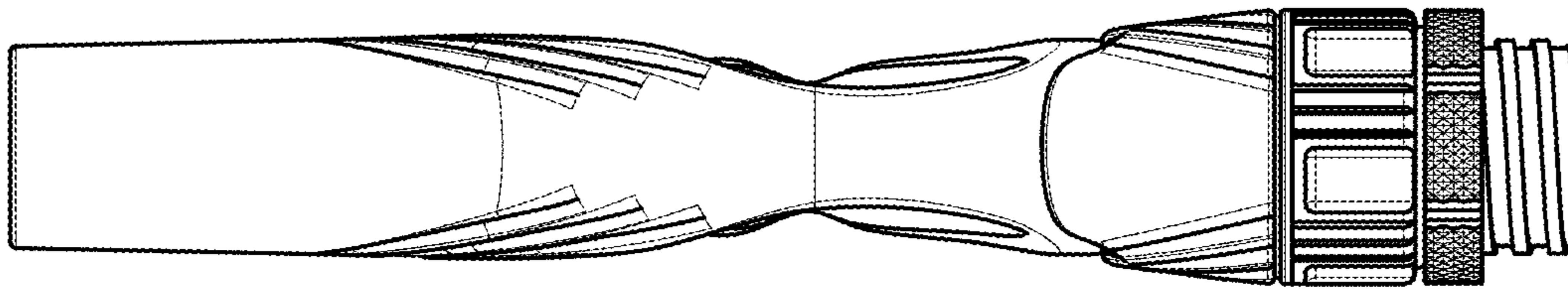
FIG. 3



F I G . 4



F I G . 5



F I G . 6

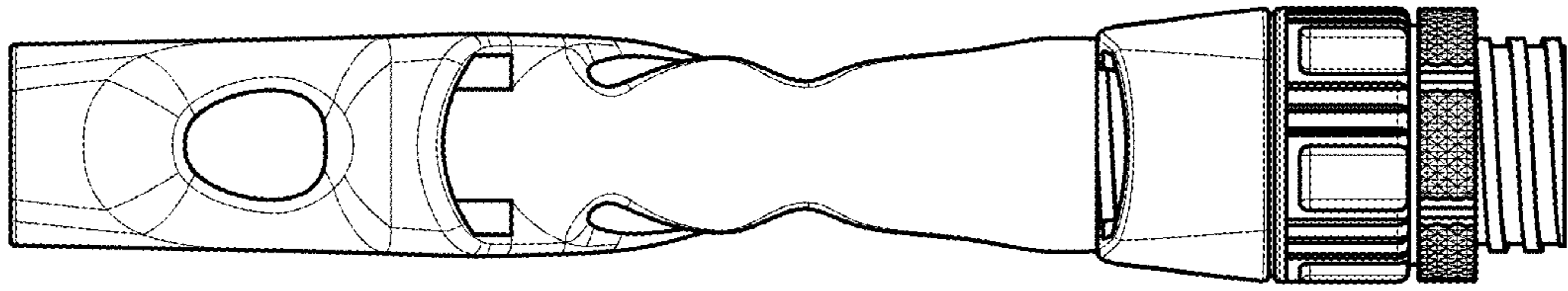
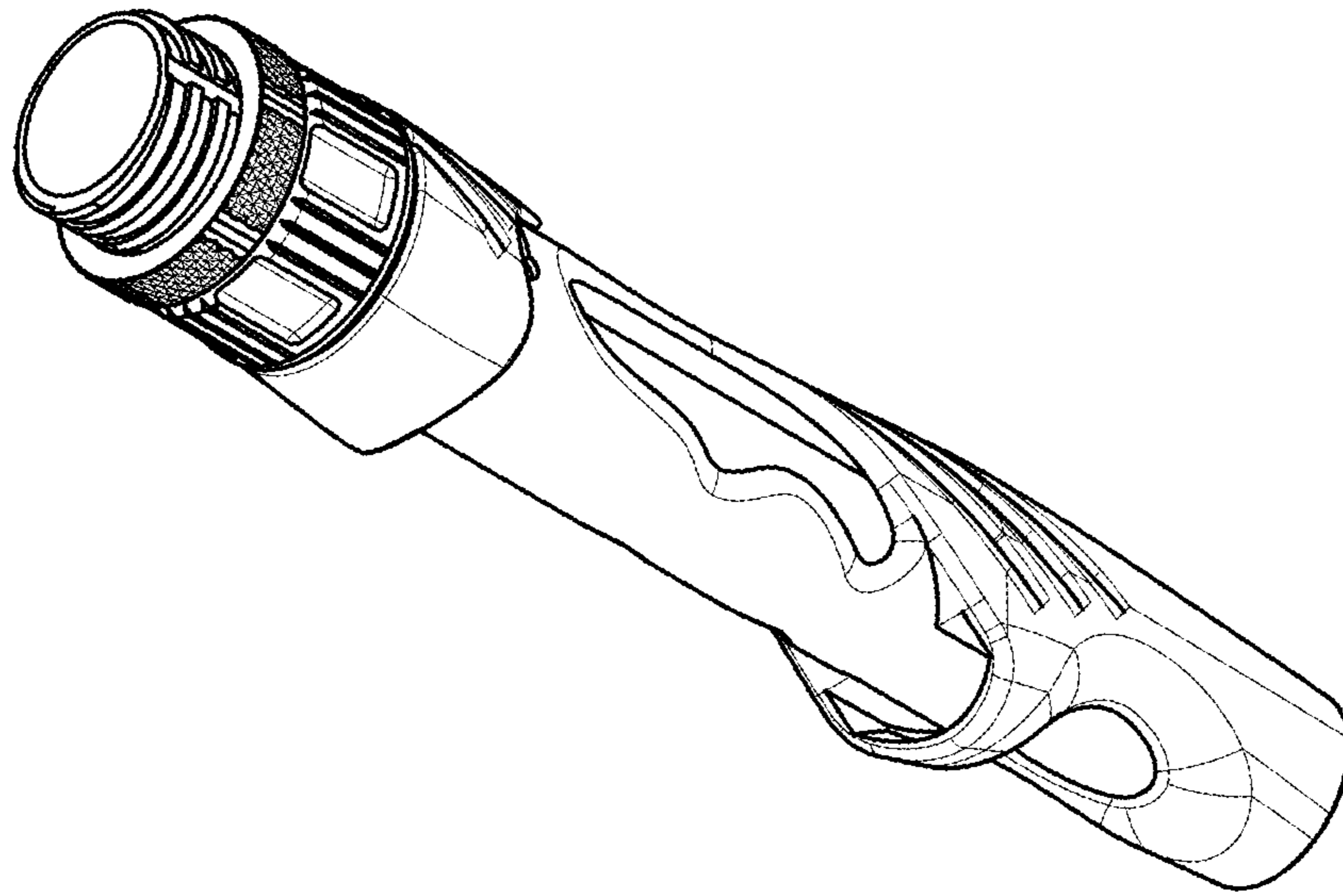


FIG. 7



F I G . 8