



US00D767087S

(12) **United States Design Patent**  
**Lin**

(10) **Patent No.:** **US D767,087 S**

(45) **Date of Patent:** **\*\* Sep. 20, 2016**

(54) **FISHING ROD REEL SEAT**

D668,316 S *	10/2012	Lin	.....	D22/142
D668,737 S *	10/2012	Ito	.....	D22/142
D672,428 S *	12/2012	Lin	.....	D22/142
D672,429 S *	12/2012	Lin	.....	D22/142

(71) Applicant: **Yi-Te Lin**, Tainan (TW)

(72) Inventor: **Yi-Te Lin**, Tainan (TW)

\* cited by examiner

(\*\*) Term: **14 Years**

*Primary Examiner* — Catheri Oliver-Garcia

(21) Appl. No.: **29/526,647**

(57) **CLAIM**

The ornamental design for the fishing rod reel seat, as shown and described.

(22) Filed: **May 12, 2015**

(51) **LOC (10) Cl.** ..... **22-05**

(52) **U.S. Cl.**

USPC ..... **D22/142**

(58) **Field of Classification Search**

USPC ..... D22/137-142; 43/22-23, 25-26

CPC ..... A01K 87/08; A01K 87/06

See application file for complete search history.

**DESCRIPTION**

FIG. 1 is a perspective view of the fishing rod reel seat showing my new design;

FIG. 2 is a front elevation view thereof;

FIG. 3 is a rear elevation view thereof;

FIG. 4 is a left side elevation view thereof;

FIG. 5 is a right side elevation view thereof;

FIG. 6 is a top plan view thereof; and

FIG. 7 is a bottom plan view thereof; and,

FIG. 8 is another perspective view of the fishing rod reel seat.

(56) **References Cited**

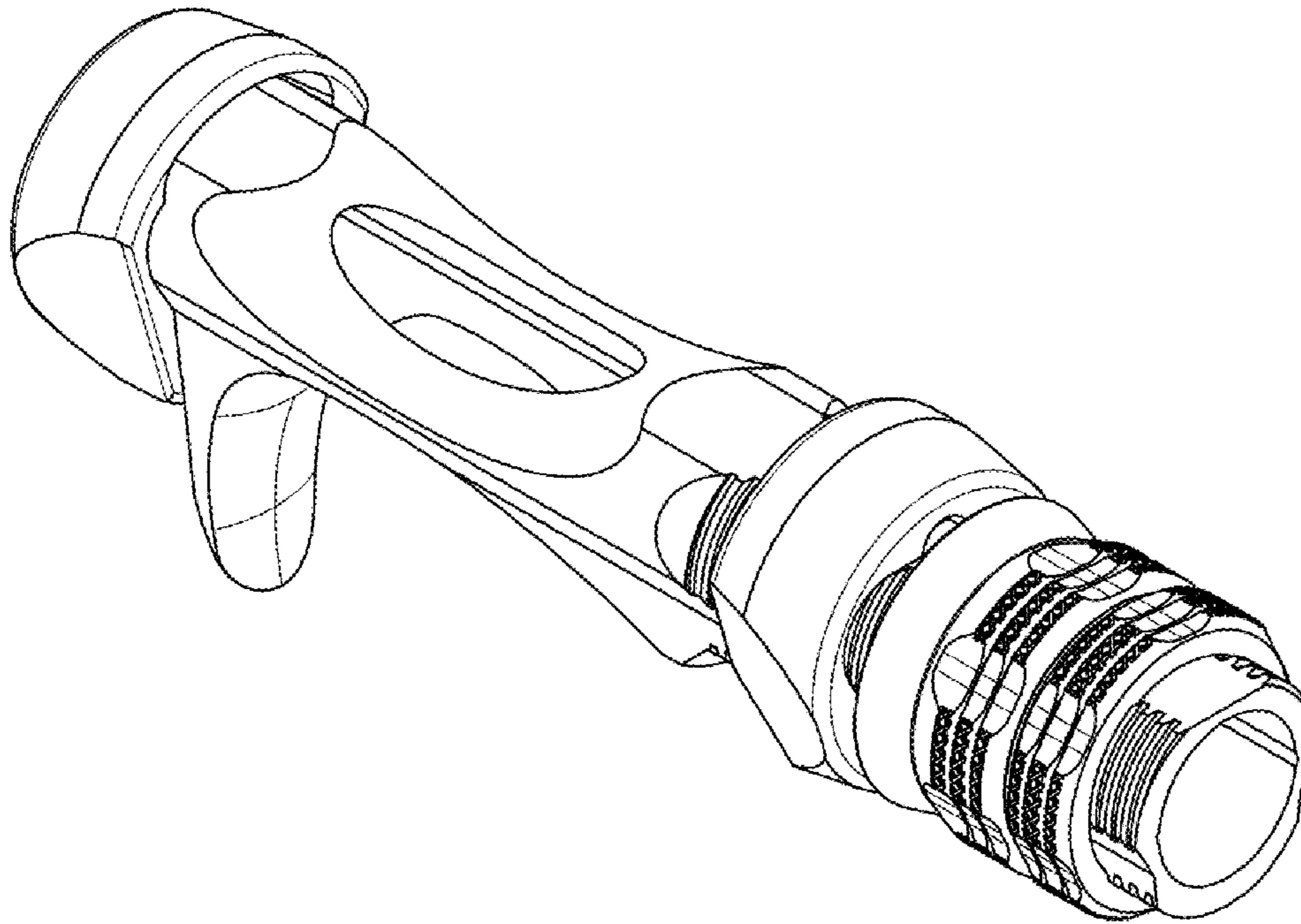
**U.S. PATENT DOCUMENTS**

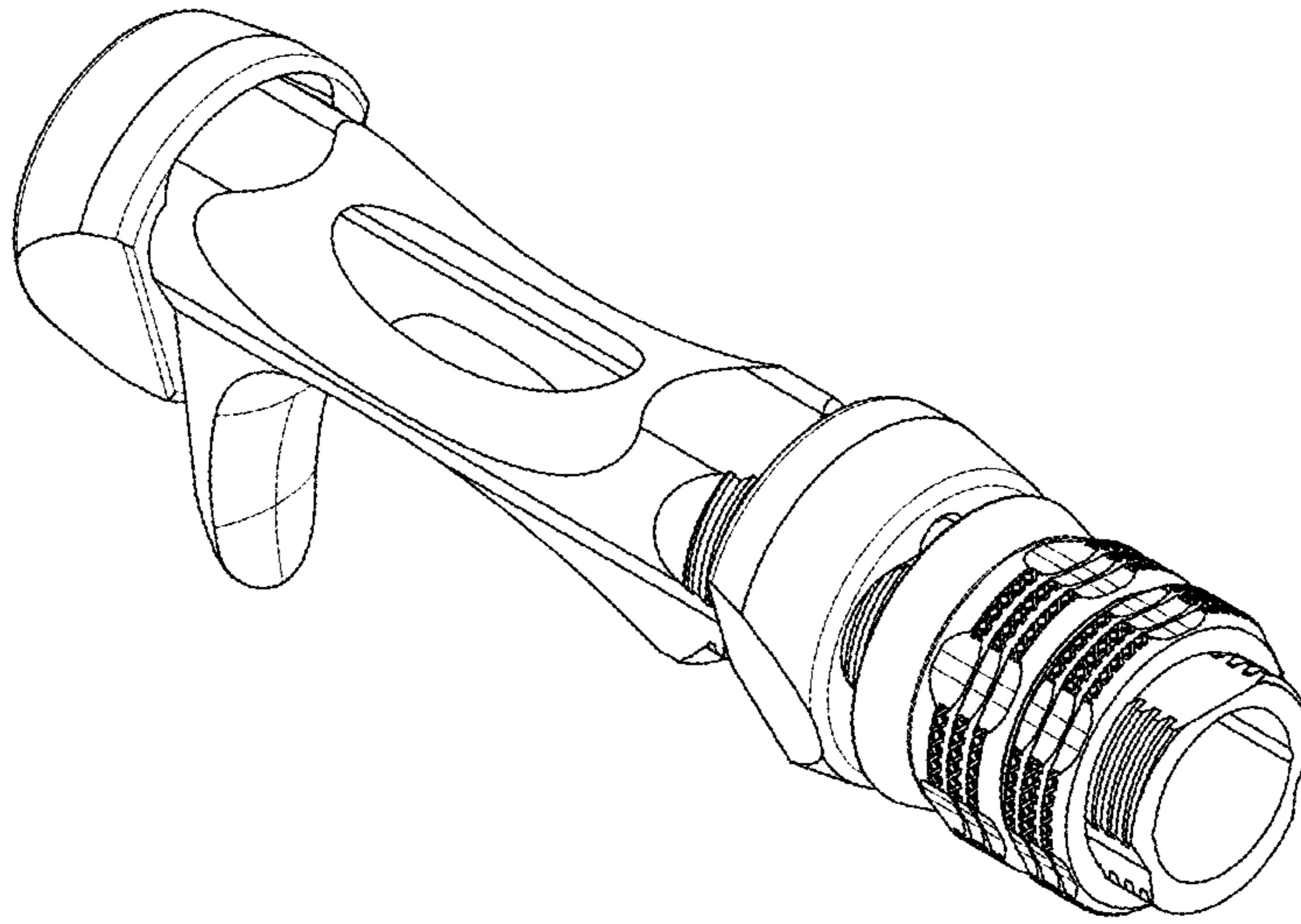
D387,125 S \* 12/1997 Grems ..... D22/142

D593,639 S \* 6/2009 Akiba ..... D22/142

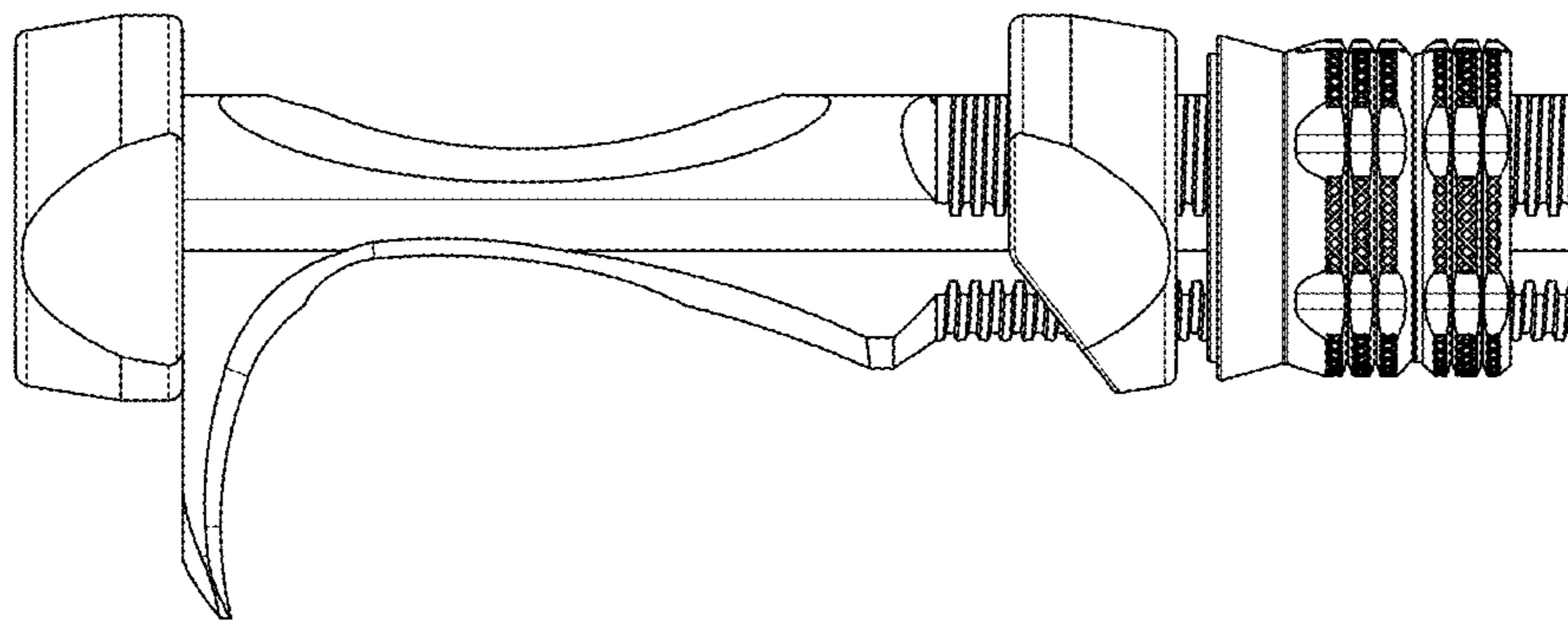
D607,533 S \* 1/2010 Ezuka ..... D22/142

**1 Claim, 8 Drawing Sheets**

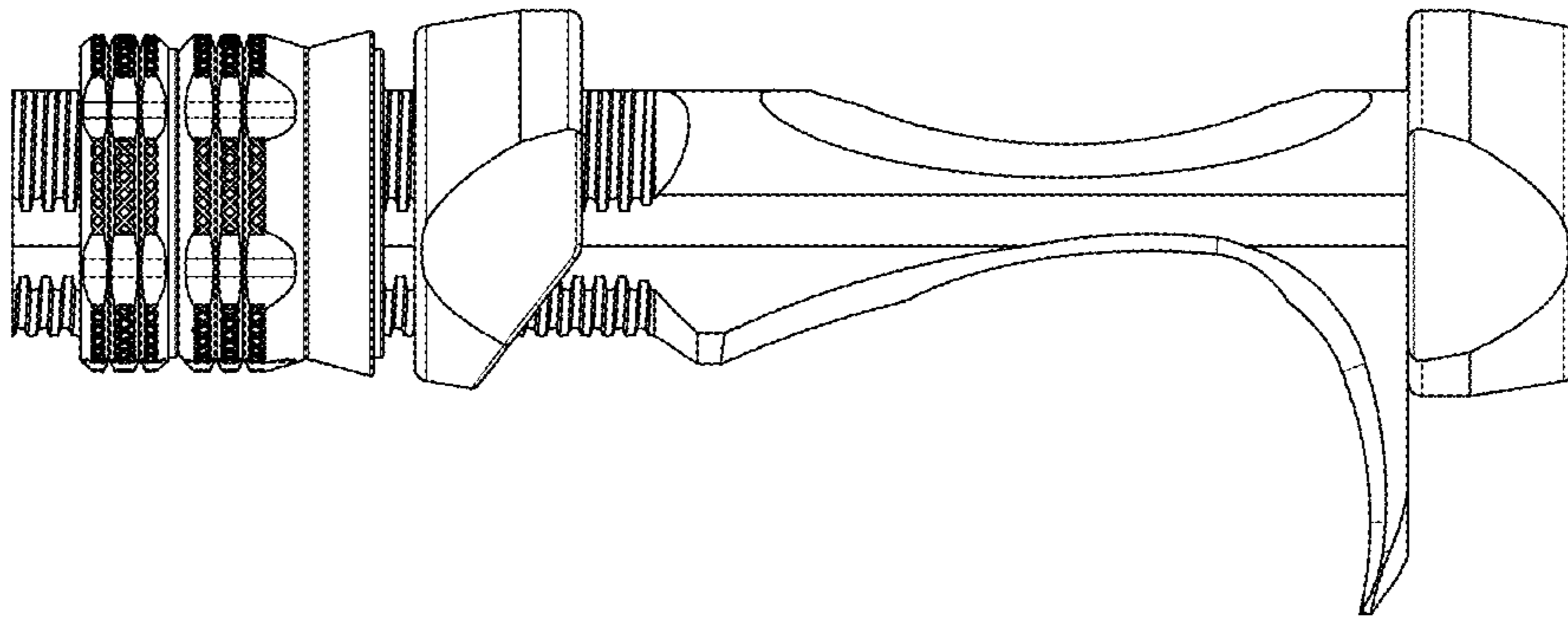




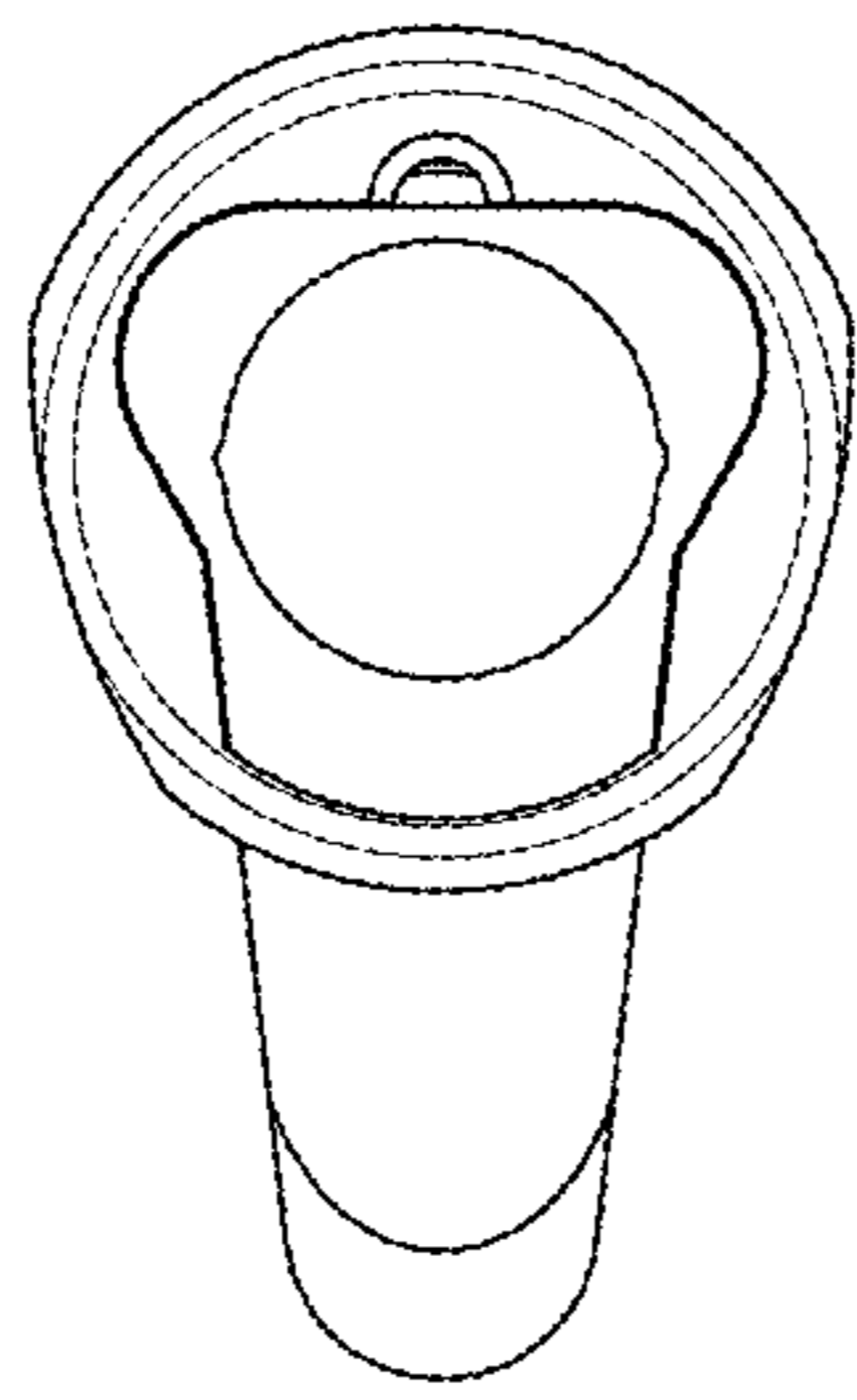
F I G . 1



F I G . 2



F I G . 3



F I G . 4

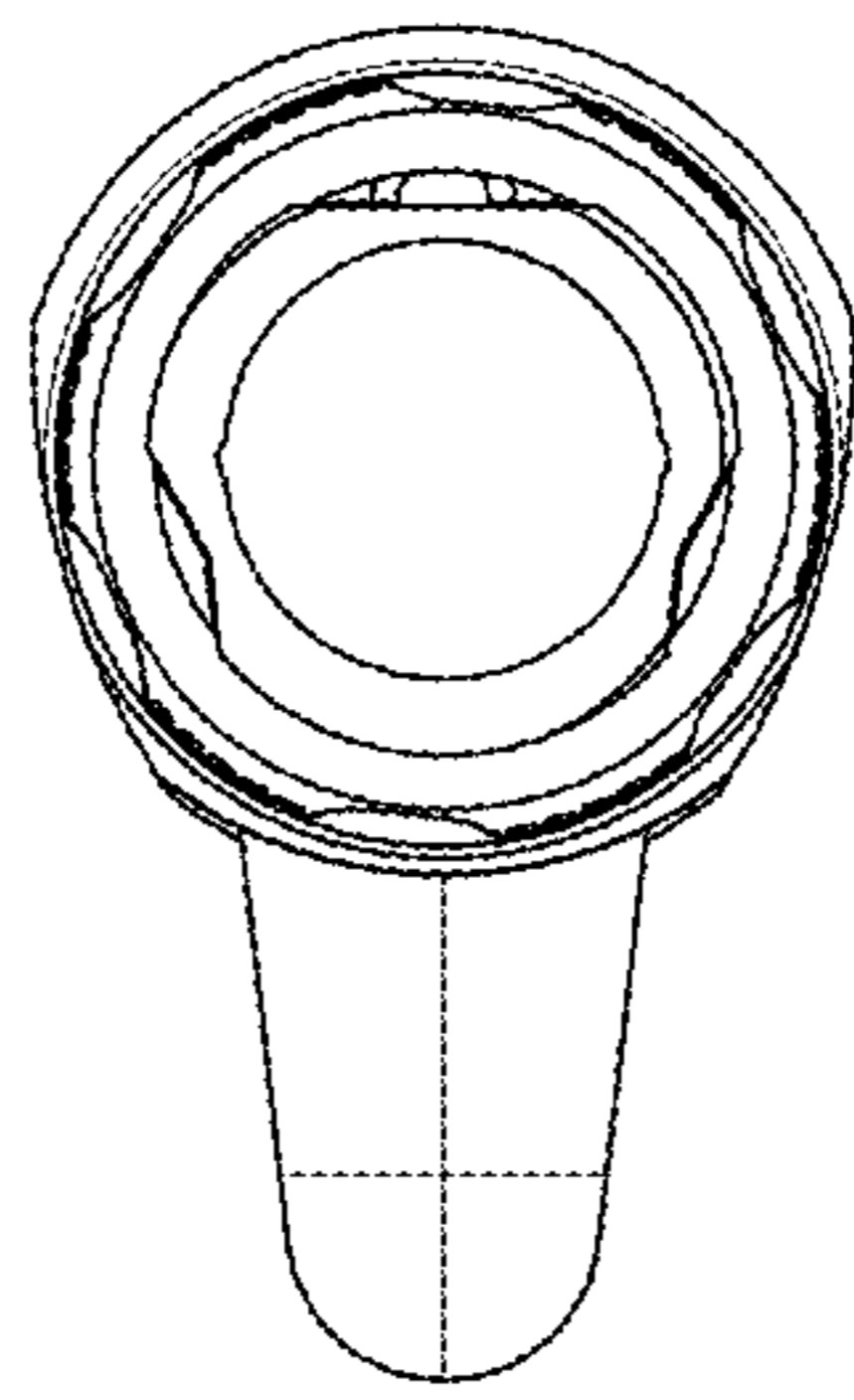


FIG. 5

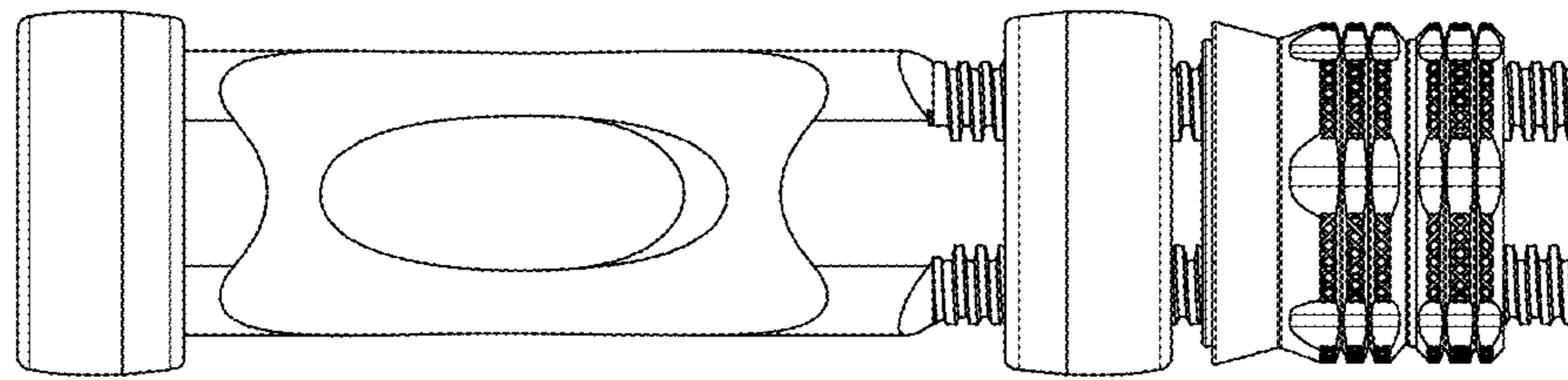


FIG. 6

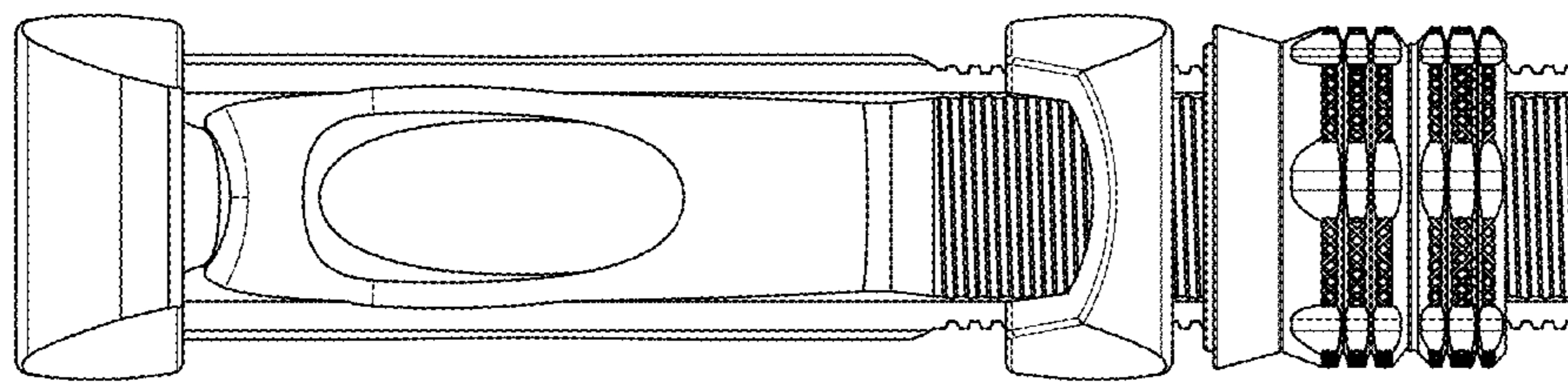
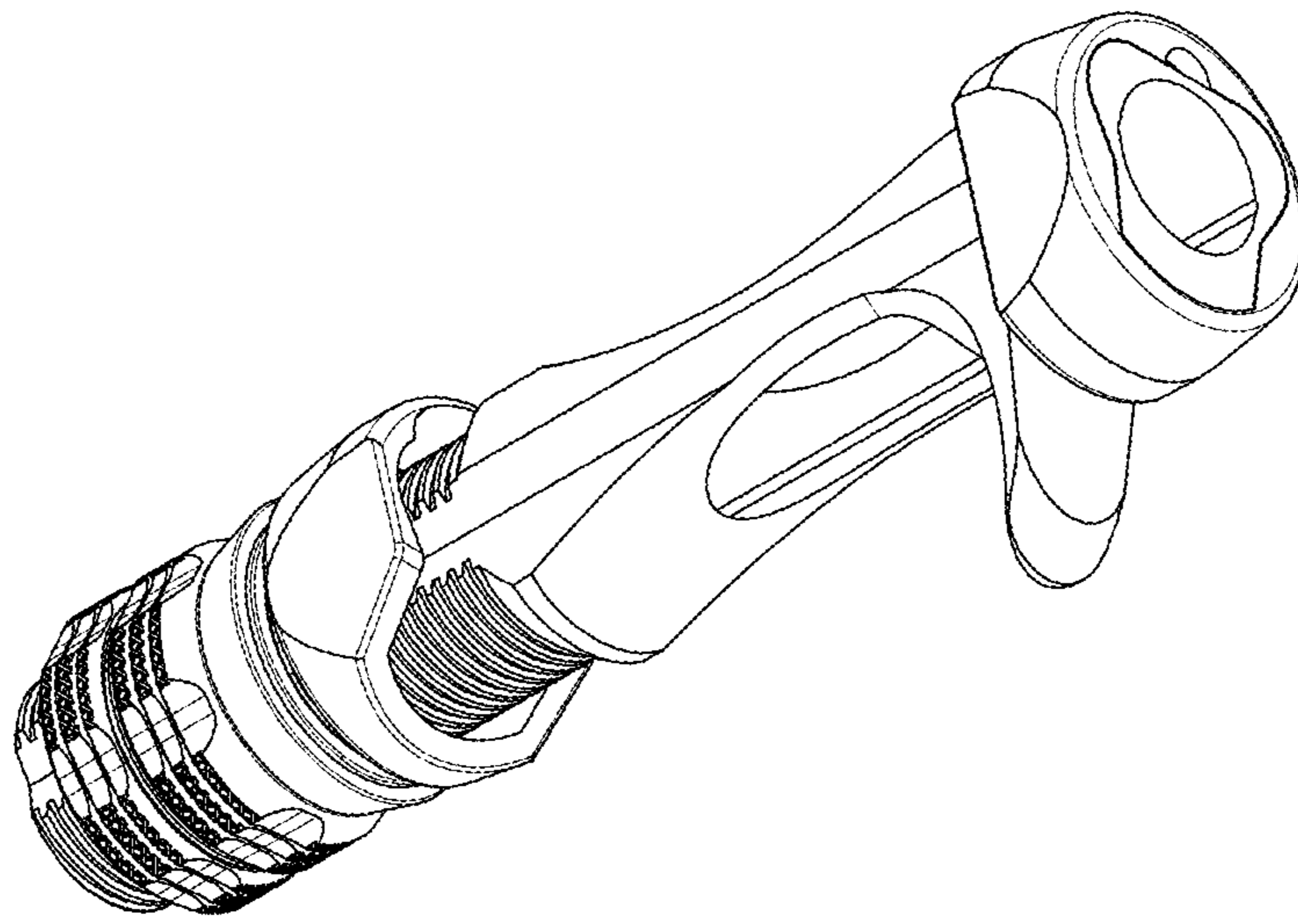


FIG. 7





F I G . 8