



US00D767086S

(12) **United States Design Patent**
Nago

(10) **Patent No.:** **US D767,086 S**

(45) **Date of Patent:** **** Sep. 20, 2016**

(54) **FISHING REEL**

D620,073 S * 7/2010 Tabuse D22/141
D627,417 S * 11/2010 Nago D22/141
D716,413 S 10/2014 Hosono

(71) Applicant: **Shimano Inc.**, Sakai, Osaka (JP)

(72) Inventor: **Akira Nago**, Osaka (JP)

(73) Assignee: **Shimano Inc.**, Osaka (JP)

(**) Term: **15 Years**

(21) Appl. No.: **29/527,982**

(22) Filed: **May 22, 2015**

(30) **Foreign Application Priority Data**

Dec. 4, 2014 (JP) 2014-027153

(51) **LOC (10) Cl.** **22-05**

(52) **U.S. Cl.**
USPC **D22/141**

(58) **Field of Classification Search**
USPC D22/137-142; 43/19-22; 242/239, 243,
242/282, 284, 289, 300, 311; 74/543
CPC A01K 89/02; A01K 89/006
See application file for complete search history.

(56) **References Cited**

U.S. PATENT DOCUMENTS

4,369,930 A * 1/1983 Noda A01K 89/006
242/282
4,718,617 A * 1/1988 Vadasz A01K 89/02
242/243
D424,657 S * 5/2000 Kang D22/141

FOREIGN PATENT DOCUMENTS

JP 1476528 S 8/2013

* cited by examiner

Primary Examiner — Catheri Oliver-Garcia

(74) *Attorney, Agent, or Firm* — Global IP Counselors

(57) **CLAIM**

The ornamental design for fishing reel, as shown and described.

DESCRIPTION

FIG. 1 is a first perspective view of a fishing reel in accordance with my new design;

FIG. 2 is a second perspective view of the fishing reel illustrated in FIG. 1;

FIG. 3 is a first side elevational view of the fishing reel illustrated in FIG. 1;

FIG. 4 is a second side elevational view of the fishing reel illustrated in FIG. 1;

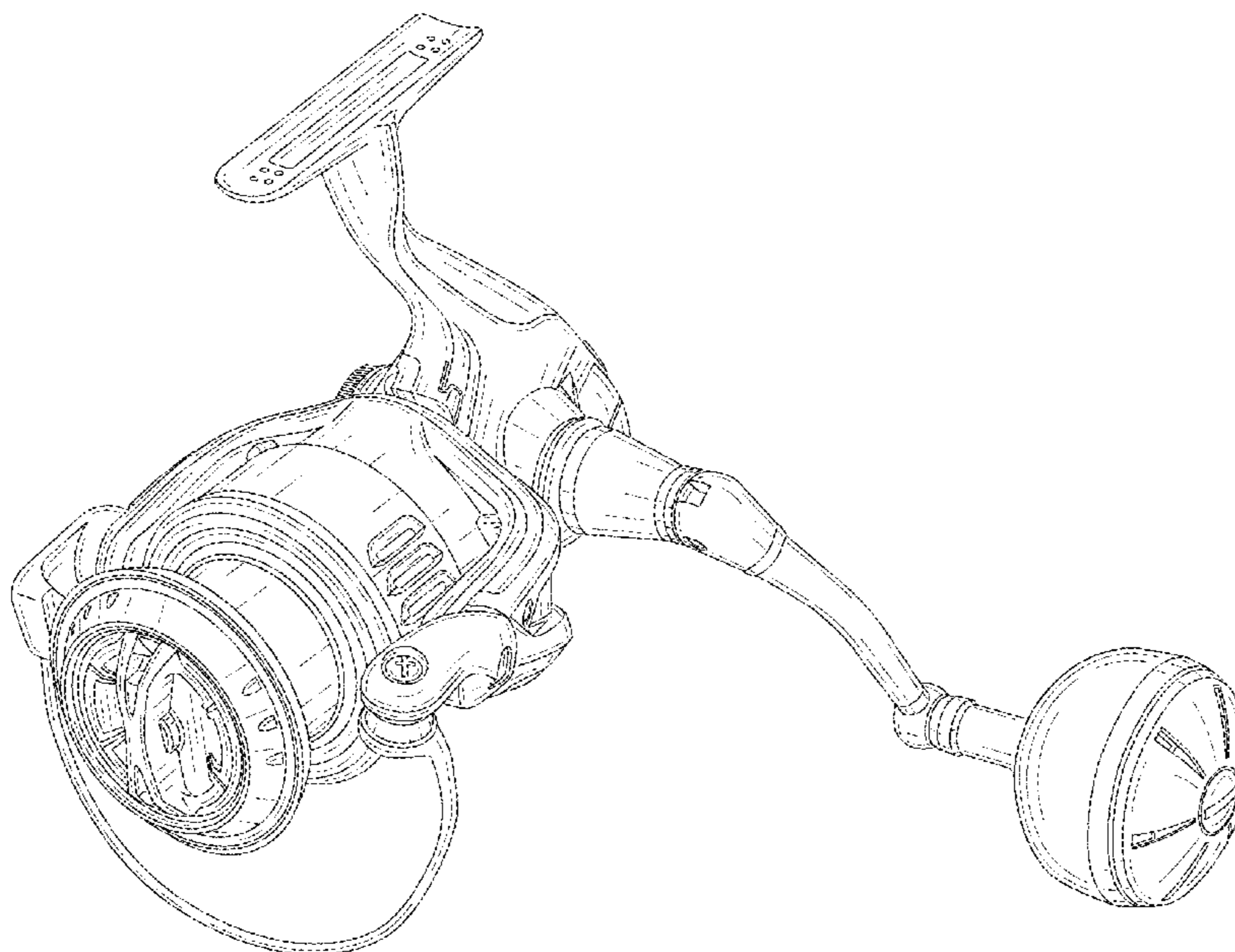
FIG. 5 is a top plan view of the fishing reel illustrated in FIG. 1;

FIG. 6 is a bottom plan view of the fishing reel illustrated in FIG. 1;

FIG. 7 is a first end elevational view of the fishing reel illustrated in FIG. 1; and,

FIG. 8 is a second end elevational view of the fishing reel illustrated in FIG. 1.

1 Claim, 6 Drawing Sheets



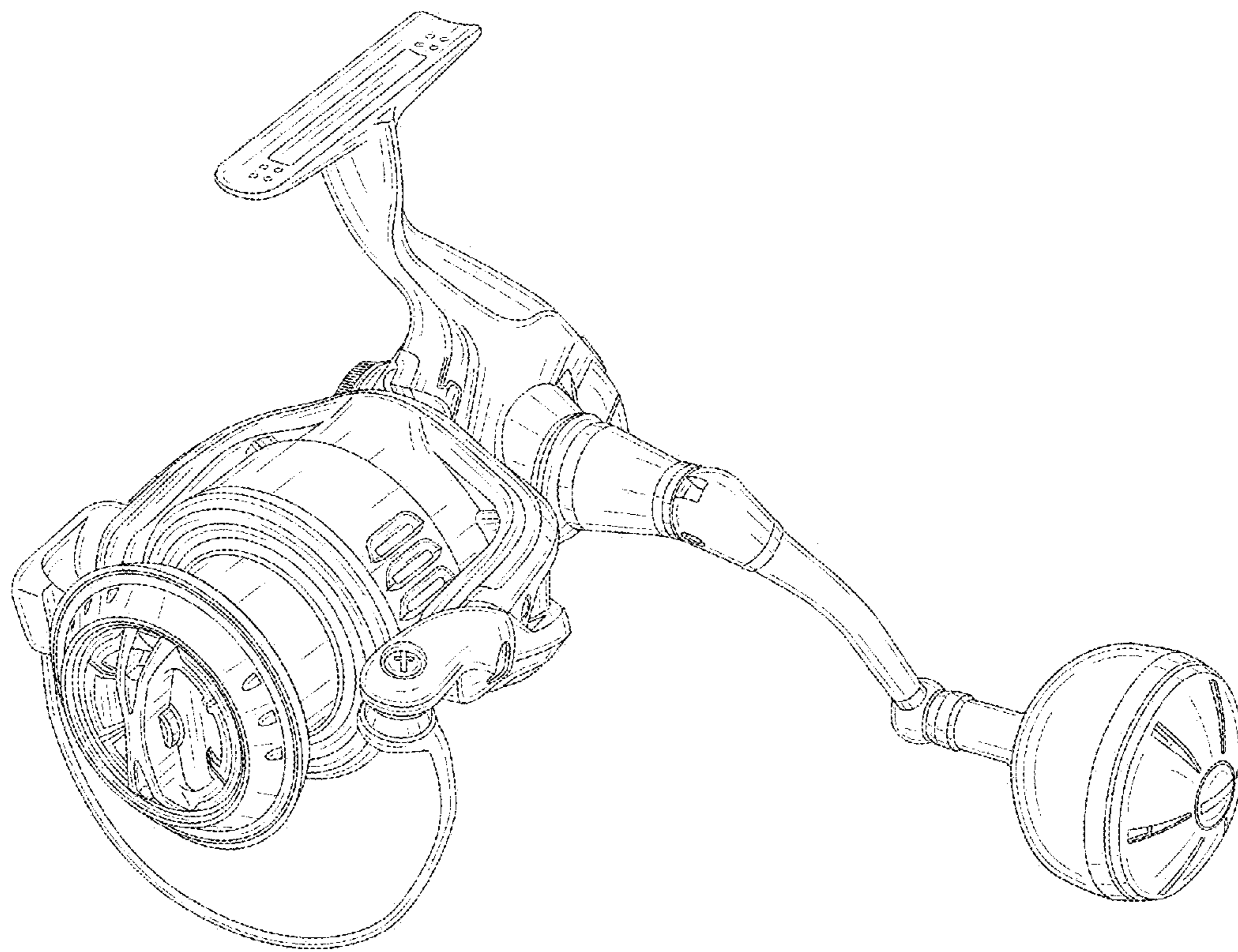


FIG. 1

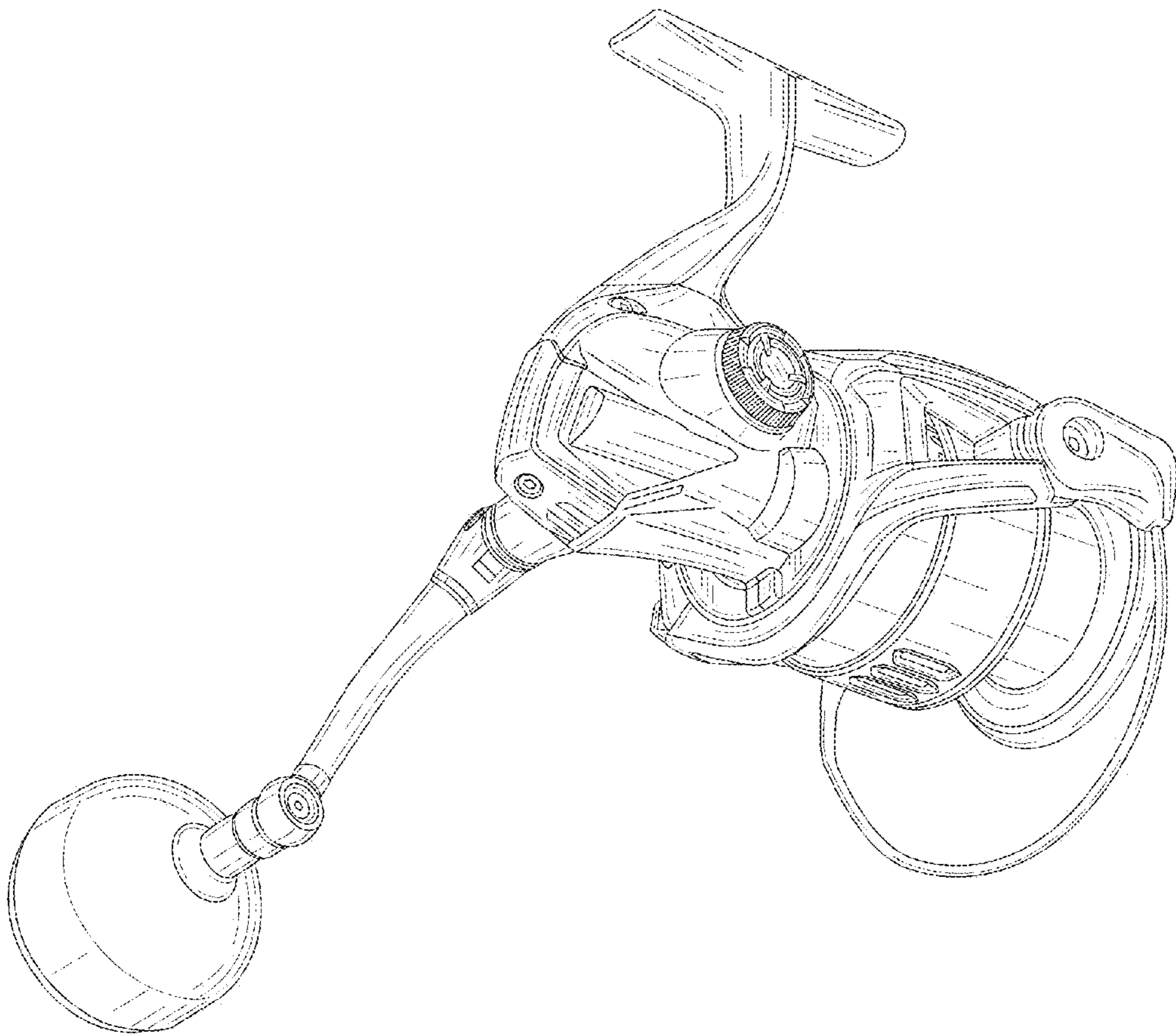


FIG. 2

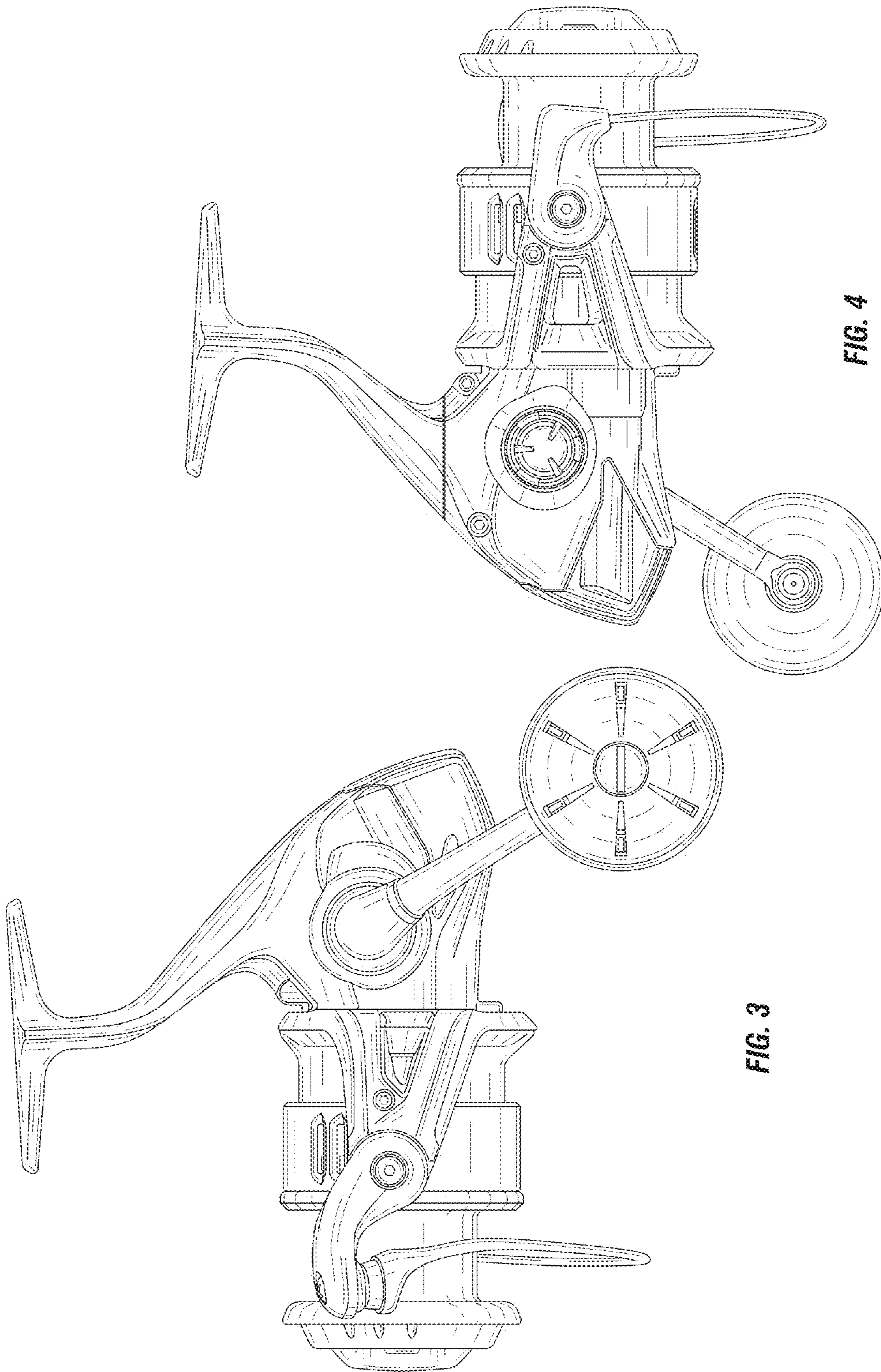


FIG. 3

FIG. 4

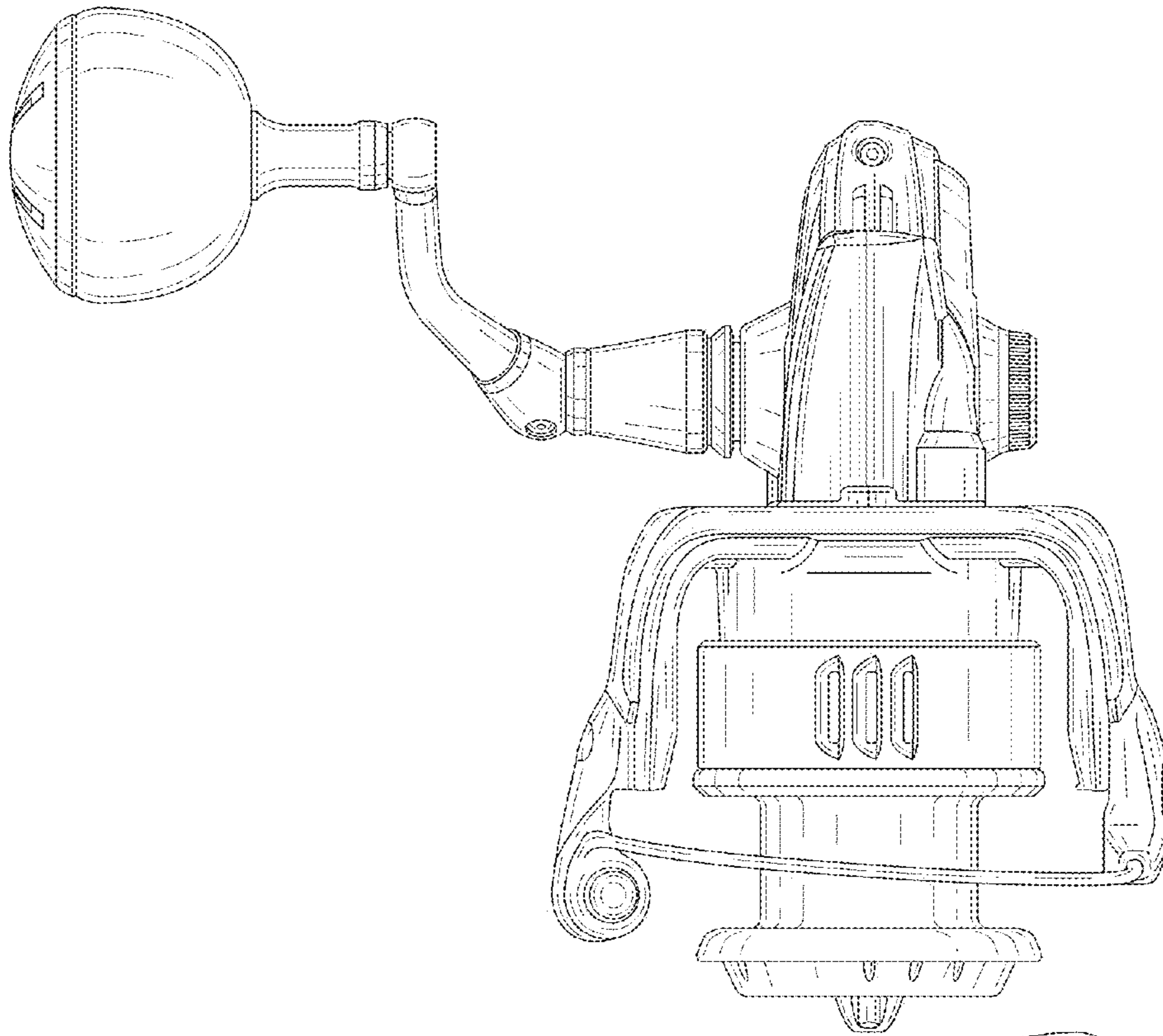


FIG. 6

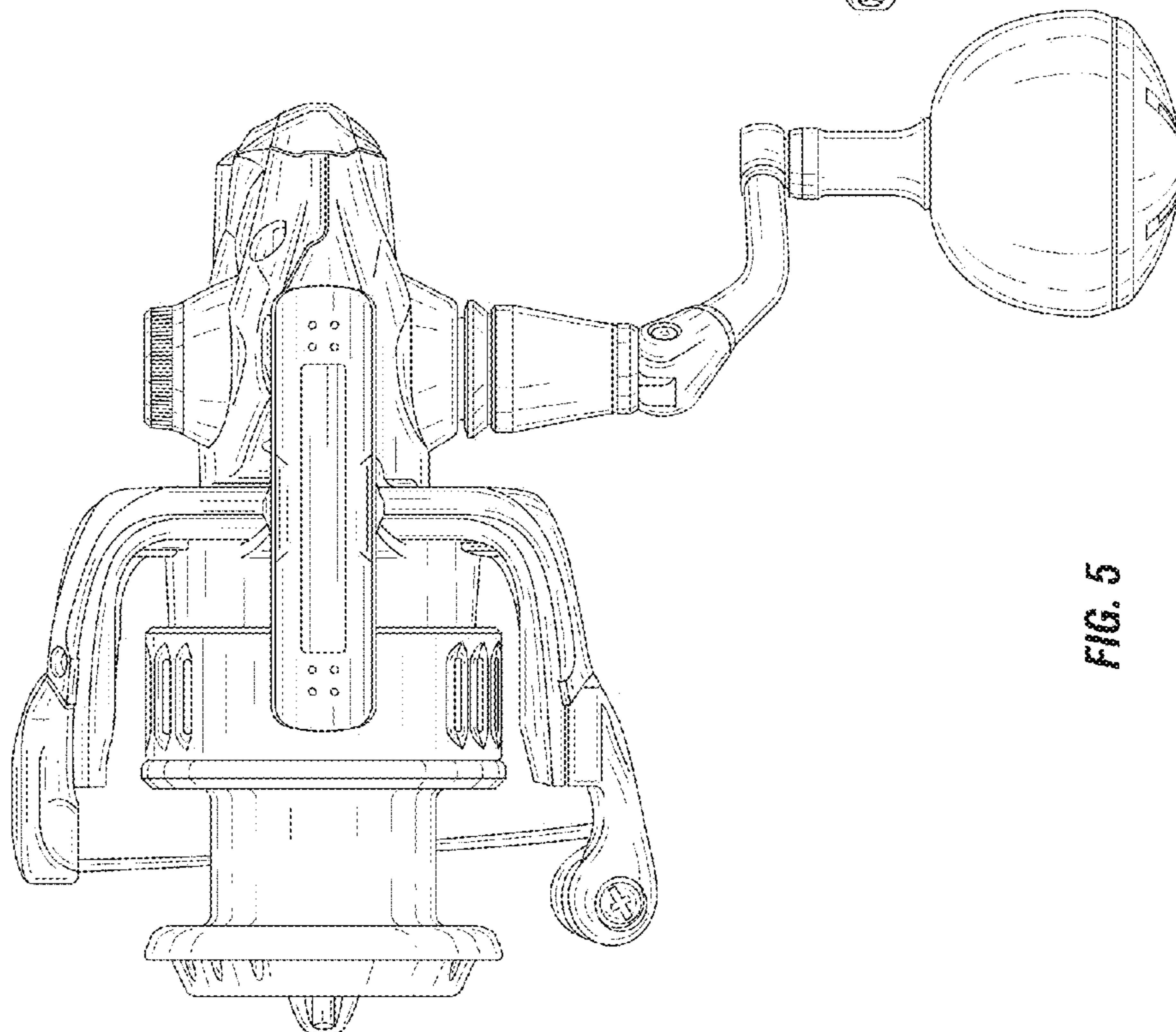


FIG. 5

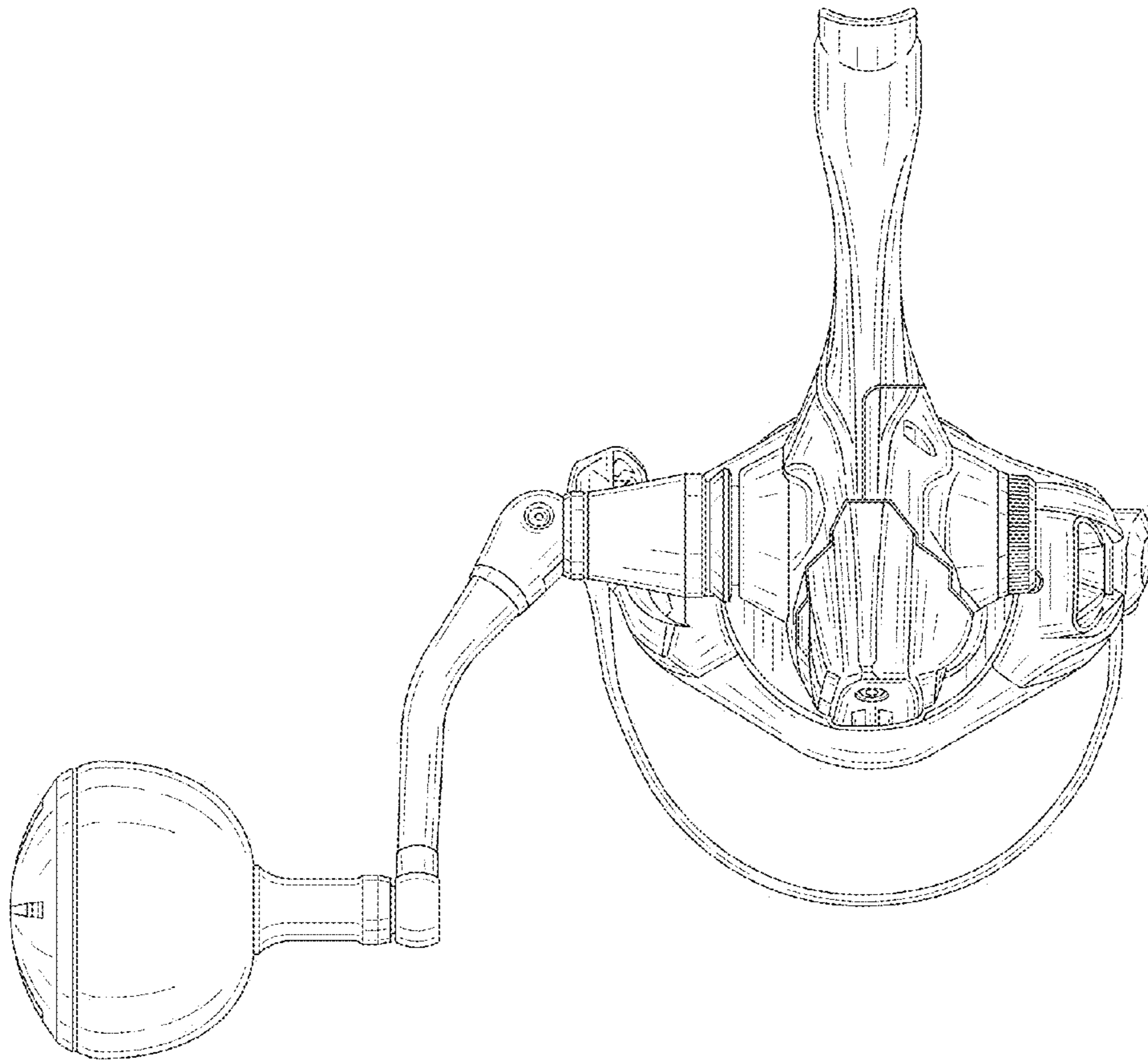


FIG. 7

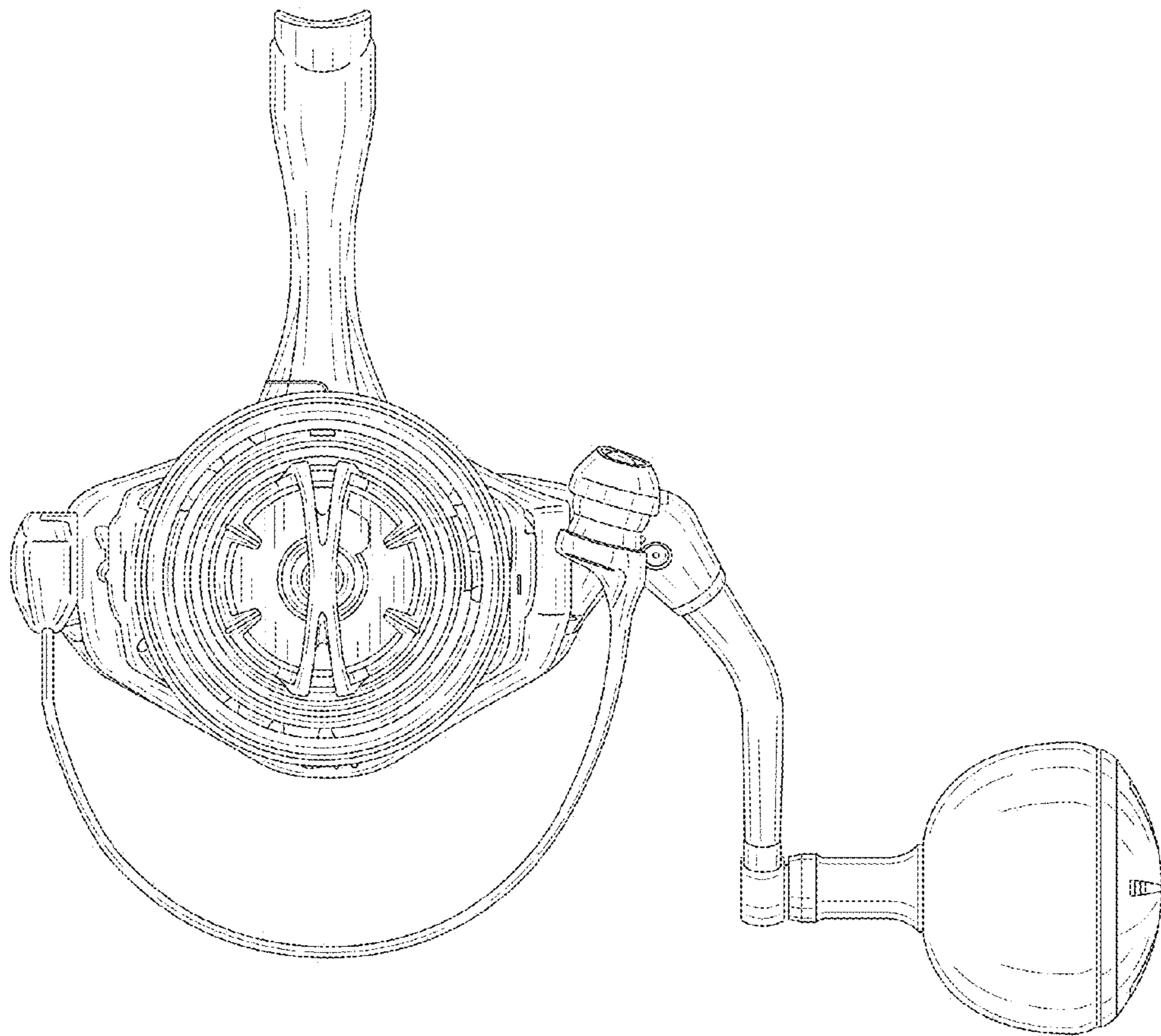


FIG. 8