



US00D767085S

(12) **United States Design Patent**
Nago

(10) **Patent No.:** **US D767,085 S**
(45) **Date of Patent:** **** Sep. 20, 2016**

(54) **FISHING REEL**

(71) Applicant: **Shimano Inc.**, Sakai, Osaka (JP)

(72) Inventor: **Akira Nago**, Osaka (JP)

(73) Assignee: **Shimano Inc.**, Osaka (JP)

(**) Term: **15 Years**

(21) Appl. No.: **29/527,979**

(22) Filed: **May 22, 2015**

(30) **Foreign Application Priority Data**

Dec. 4, 2014 (JP) 2014-027149

(51) **LOC (10) Cl.** **22-05**

(52) **U.S. Cl.**
USPC **D22/141**

(58) **Field of Classification Search**
USPC D22/137-141; 242/295, 317-318, 311
CPC A01K 89/01; A01K 89/015; A01K
89/01121; A01K 89/001123; A01K 89/00126
See application file for complete search history.

(56) **References Cited**

U.S. PATENT DOCUMENTS

D424,657 S * 5/2000 Kang D22/141
D505,991 S * 6/2005 Iwabuchi D22/141
D595,386 S * 6/2009 Nago D22/141

D627,417 S 11/2010 Nago
D685,055 S 6/2013 Deguchi
D723,655 S 3/2015 Deguchi et al.
9,314,007 B2 * 4/2016 Tsutsumi A01K 89/015

* cited by examiner

Primary Examiner — Catheri Oliver-Garcia

(74) *Attorney, Agent, or Firm* — Global IP Counselors

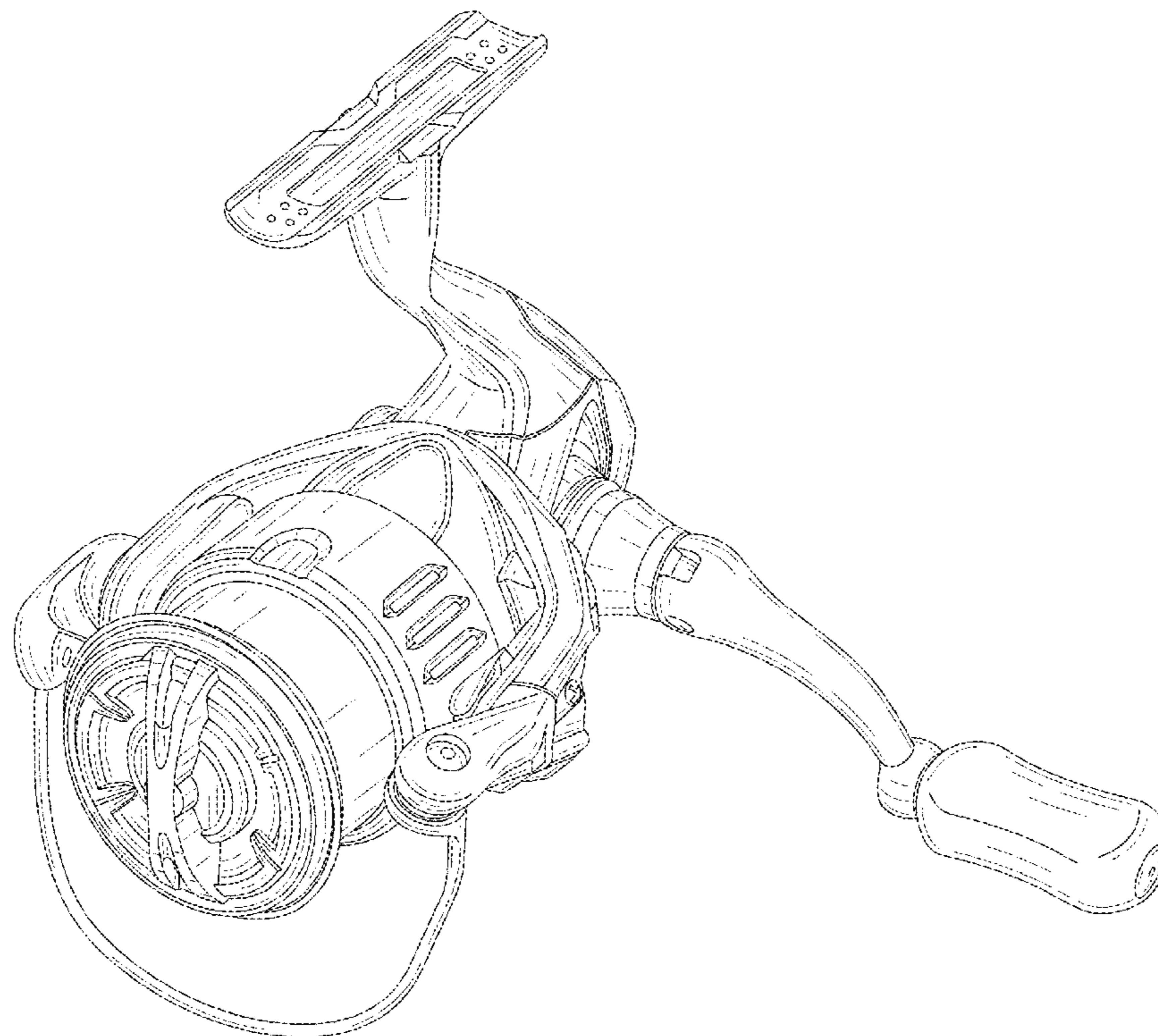
(57) **CLAIM**

The ornamental design for fishing reel, as shown and described.

DESCRIPTION

FIG. 1 is a first perspective view of a fishing reel in accordance with my new design;
FIG. 2 is a second perspective view of the fishing reel illustrated in FIG. 1;
FIG. 3 is a first side elevational view of the fishing reel illustrated in FIG. 1;
FIG. 4 is a second side elevational view of the fishing reel illustrated in FIG. 1;
FIG. 5 is a top plan view of the fishing reel illustrated in FIG. 1;
FIG. 6 is a bottom plan view of the fishing reel illustrated in FIG. 1;
FIG. 7 is a first end elevational view of the fishing reel illustrated in FIG. 1; and,
FIG. 8 is a second end elevational view of the fishing reel illustrated in FIG. 1.

1 Claim, 6 Drawing Sheets



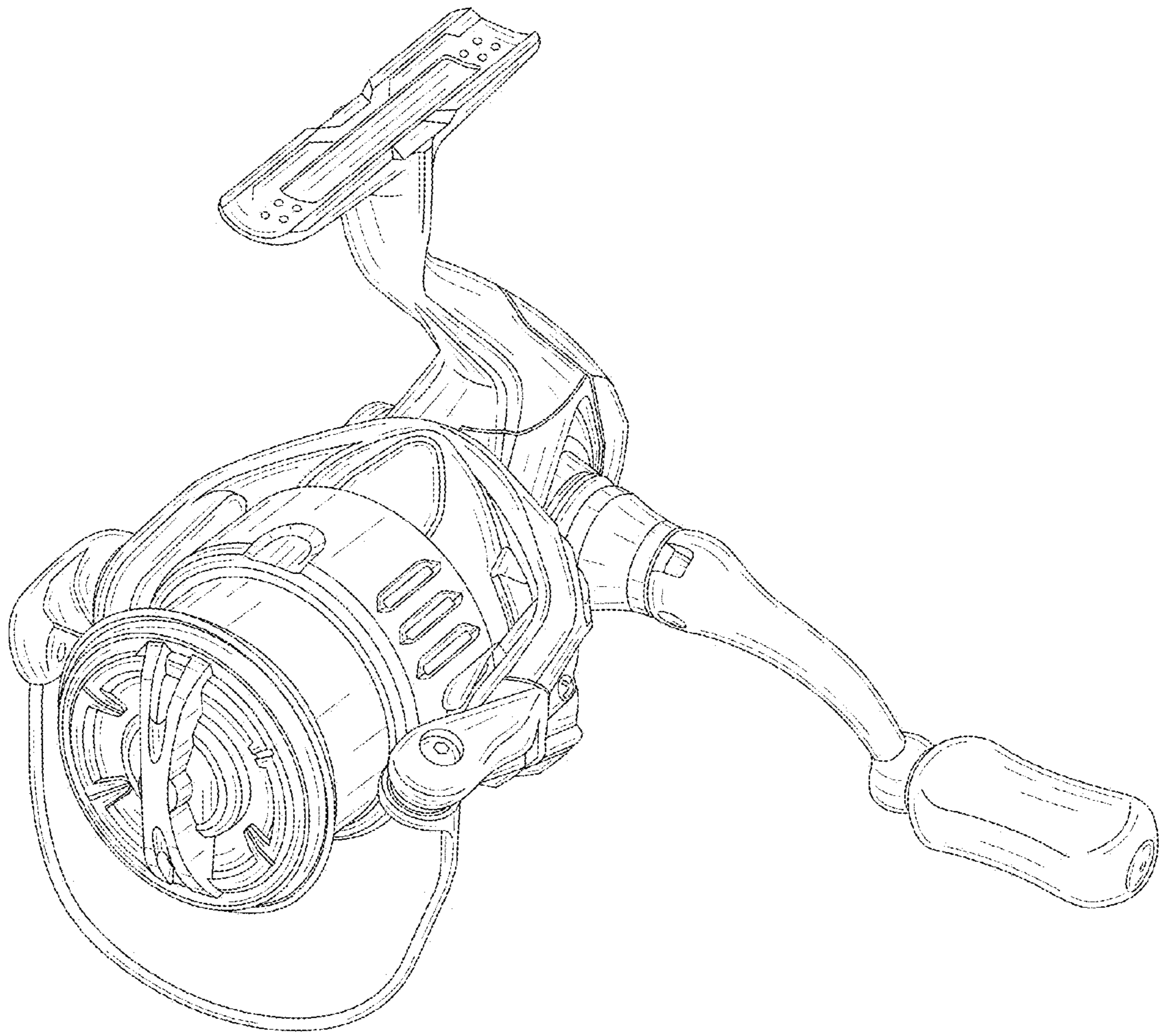


FIG. 1

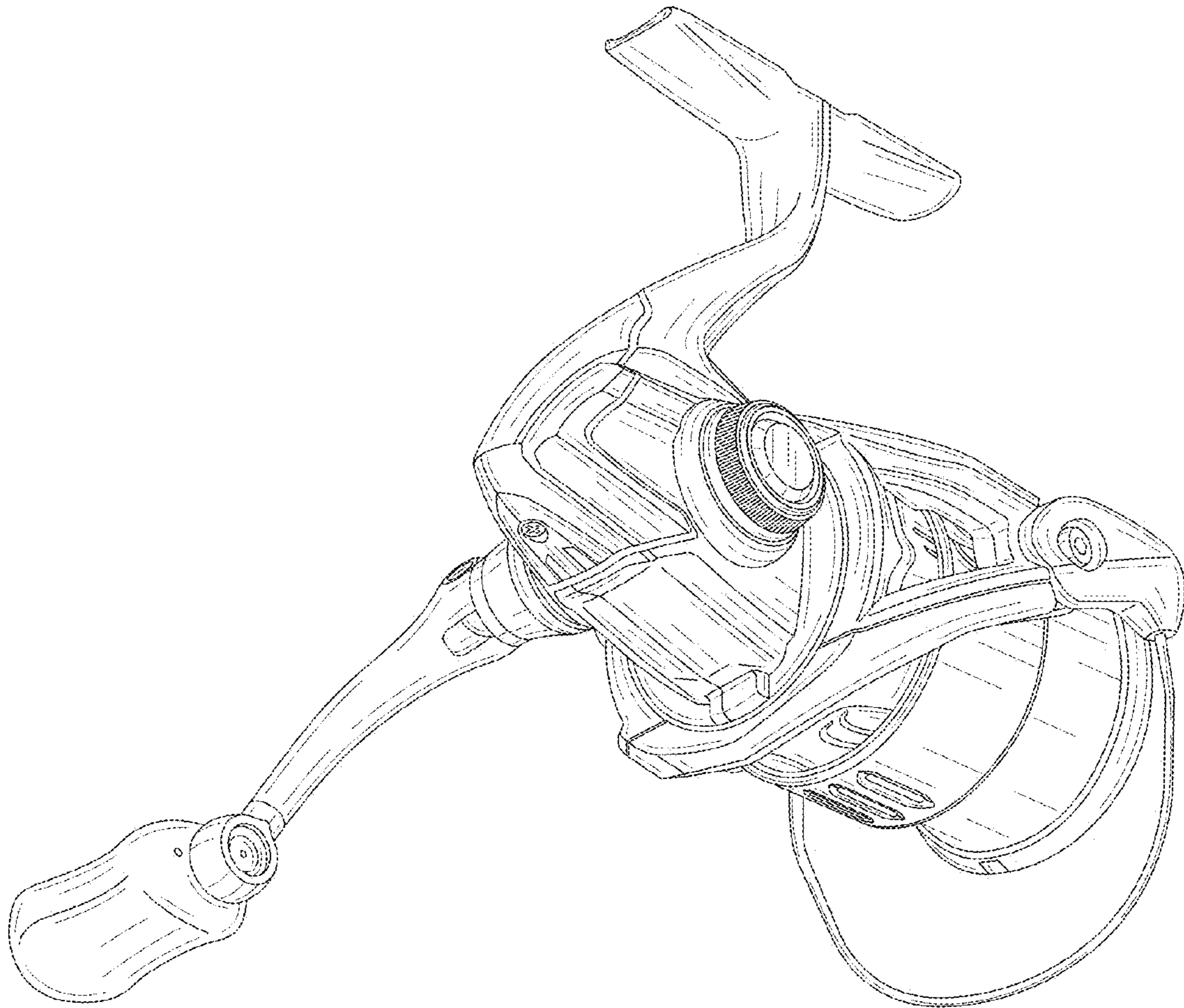


FIG. 2

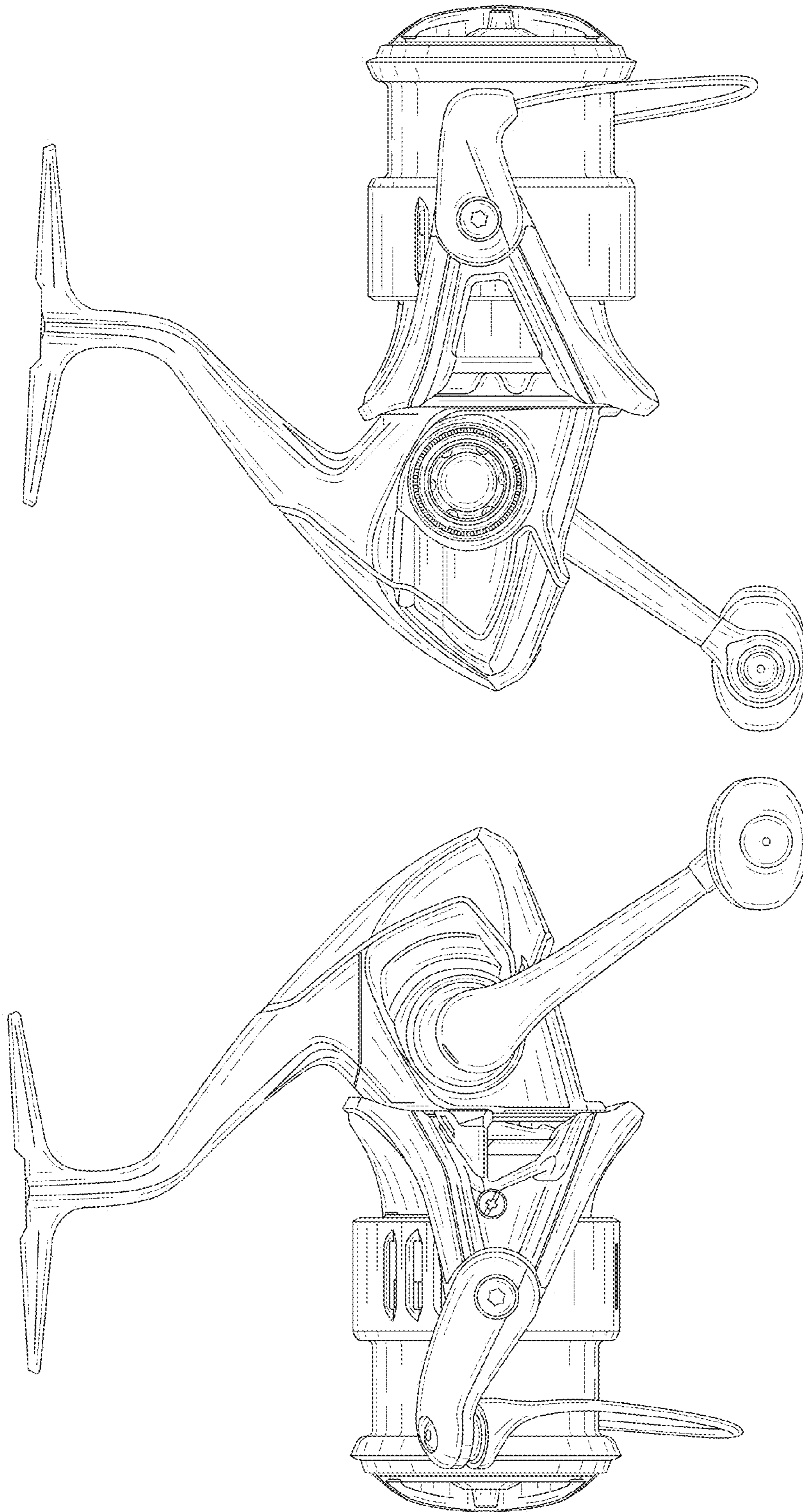


FIG. 4

FIG. 3

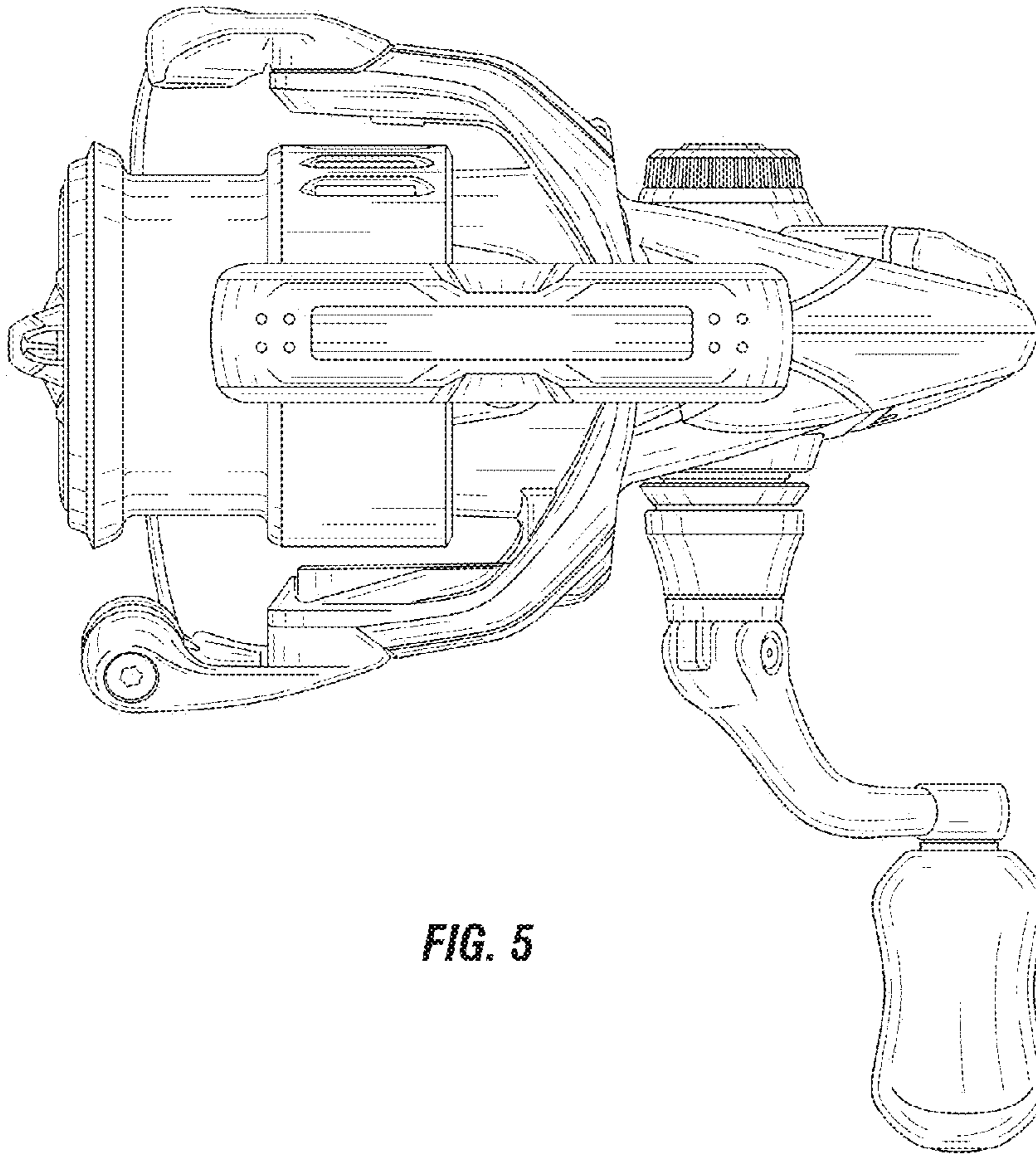


FIG. 5

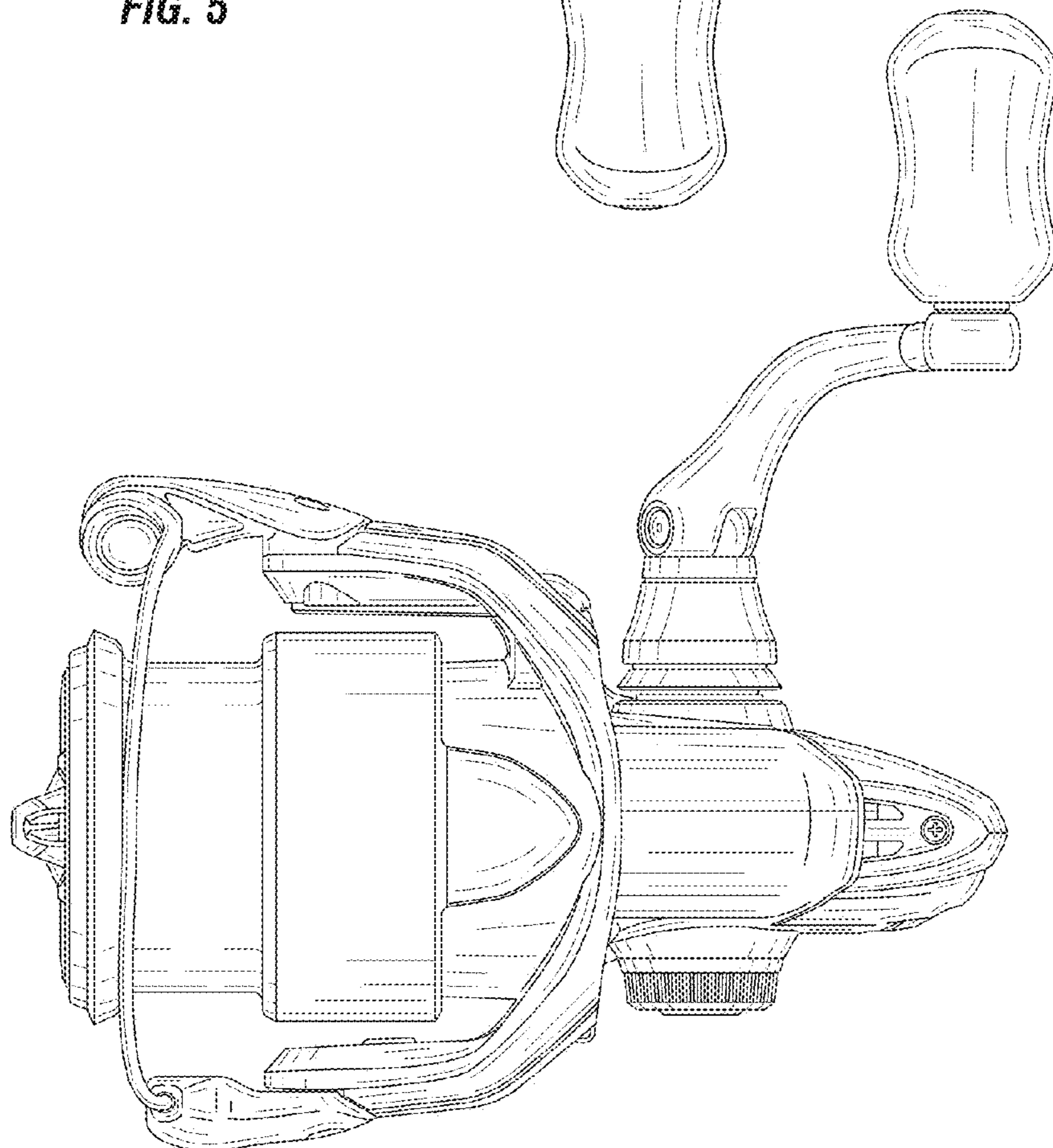


FIG. 6

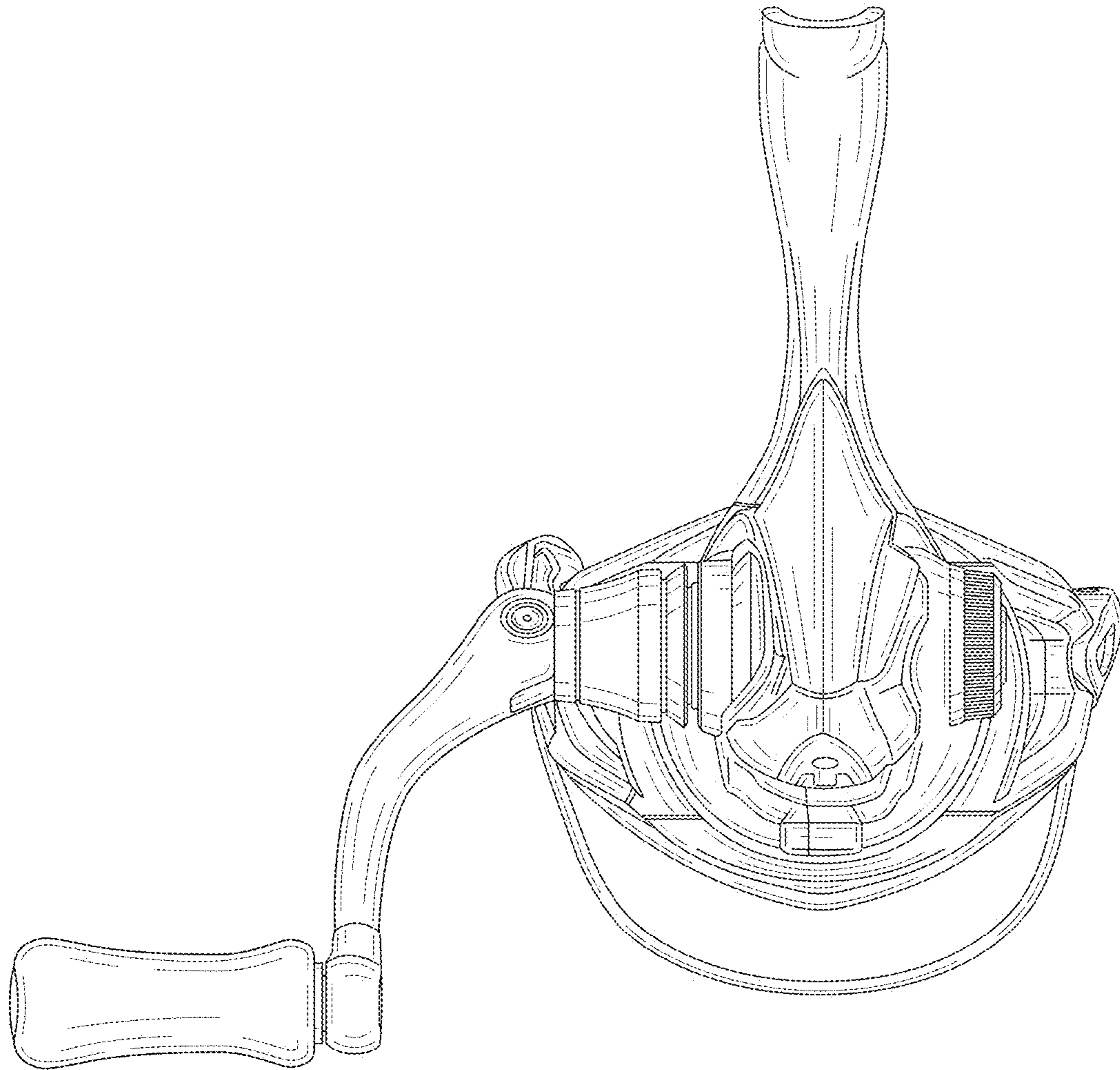


FIG. 7

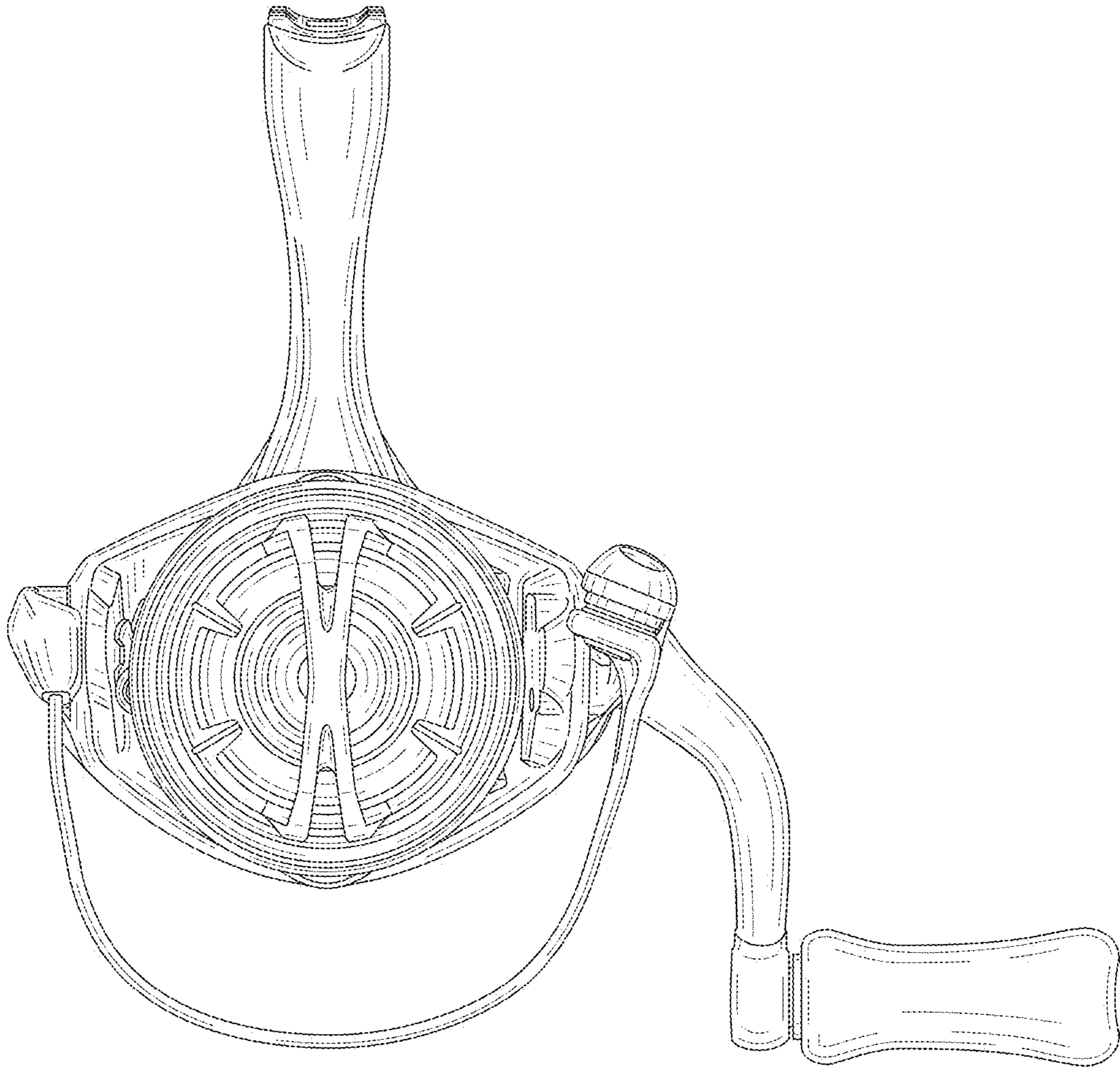


FIG. 8