



US00D767084S

(12) **United States Design Patent**
Niitsuma

(10) **Patent No.:** **US D767,084 S**

(45) **Date of Patent:** **** Sep. 20, 2016**

- (54) **FISHING REEL PORTION**
- (71) Applicant: **Shimano Inc.**, Sakai, Osaka (JP)
- (72) Inventor: **Motohiro Niitsuma**, Osaka (JP)
- (73) Assignee: **Shimano Inc.**, Osaka (JP)
- (**) Term: **15 Years**

D718,409 S * 11/2014 Asaba D22/140
 D731,613 S * 6/2015 Kano D22/140
 D744,608 S * 12/2015 Jeong D22/139

- (21) Appl. No.: **29/527,985**
- (22) Filed: **May 22, 2015**

FOREIGN PATENT DOCUMENTS

JP 1446964 A 7/2012
 JP 1476568 S 8/2013
 JP 1505136 S 8/2014

* cited by examiner

Primary Examiner — Catheri Oliver-Garcia
 (74) *Attorney, Agent, or Firm* — Global IP Counselors

(30) **Foreign Application Priority Data**

Dec. 4, 2014 (JP) 2014-027159

(51) **LOC (10) Cl.** **22-05**

(52) **U.S. Cl.**
USPC **D22/140**

(58) **Field of Classification Search**
 USPC D22/137–141; 242/223–224, 231–240,
 242/310–311, 314–315, 318, 322, 370,
 242/282; 43/26, 42.1, 42.35, 24, 25.2
 CPC A01K 89/01; A01K 89/015; A01K
 89/01121; A01K 89/01123; A01K 89/01126;
 A01K 97/06

See application file for complete search history.

(56) **References Cited**

U.S. PATENT DOCUMENTS

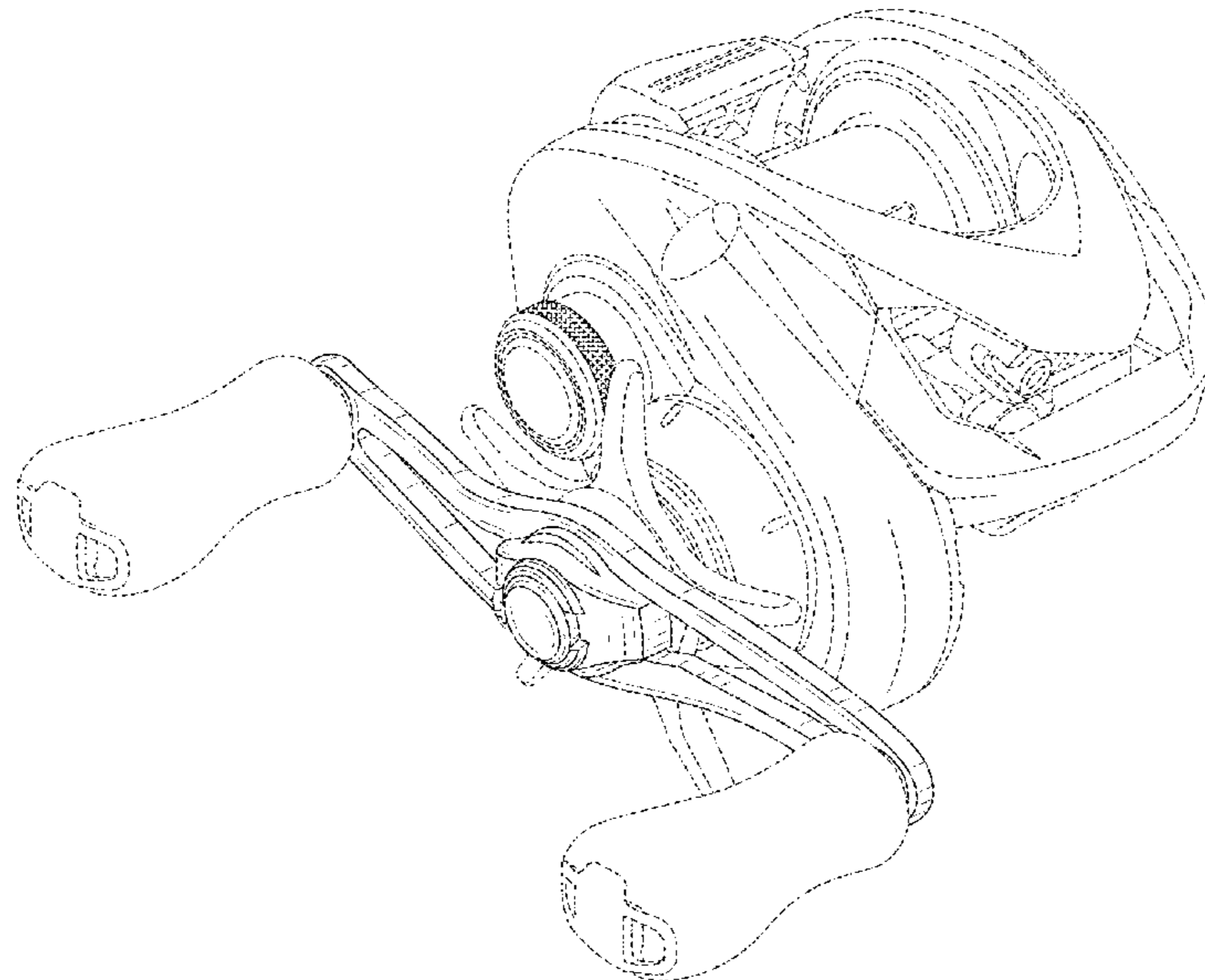
D661,774 S * 6/2012 Nago D22/140
 D709,985 S 7/2014 Deguchi
 8,840,053 B2 * 9/2014 Takechi A01K 89/006
 242/282

(57) **CLAIM**
 The ornamental design for fishing reel portion, as shown and described.

DESCRIPTION

FIG. 1 is a first perspective view of a fishing reel that includes a fishing reel portion in accordance with my new design;
 FIG. 2 is a first end elevational view of the fishing reel illustrated in FIG. 1 with the fishing reel portion;
 FIG. 3 is a second end elevational view of the fishing reel illustrated in FIG. 1 with the fishing reel portion;
 FIG. 4 is a top plan view of the fishing reel illustrated in FIG. 1 with the fishing reel portion;
 FIG. 5 is a bottom plan view of the fishing reel illustrated in FIG. 1 with the fishing reel portion;
 FIG. 6 is a first side elevational view of the fishing reel illustrated in FIG. 1 with the fishing reel portion; and,
 FIG. 7 is a second side elevational view of the fishing reel illustrated in FIG. 1 with the fishing reel portion.

1 Claim, 5 Drawing Sheets



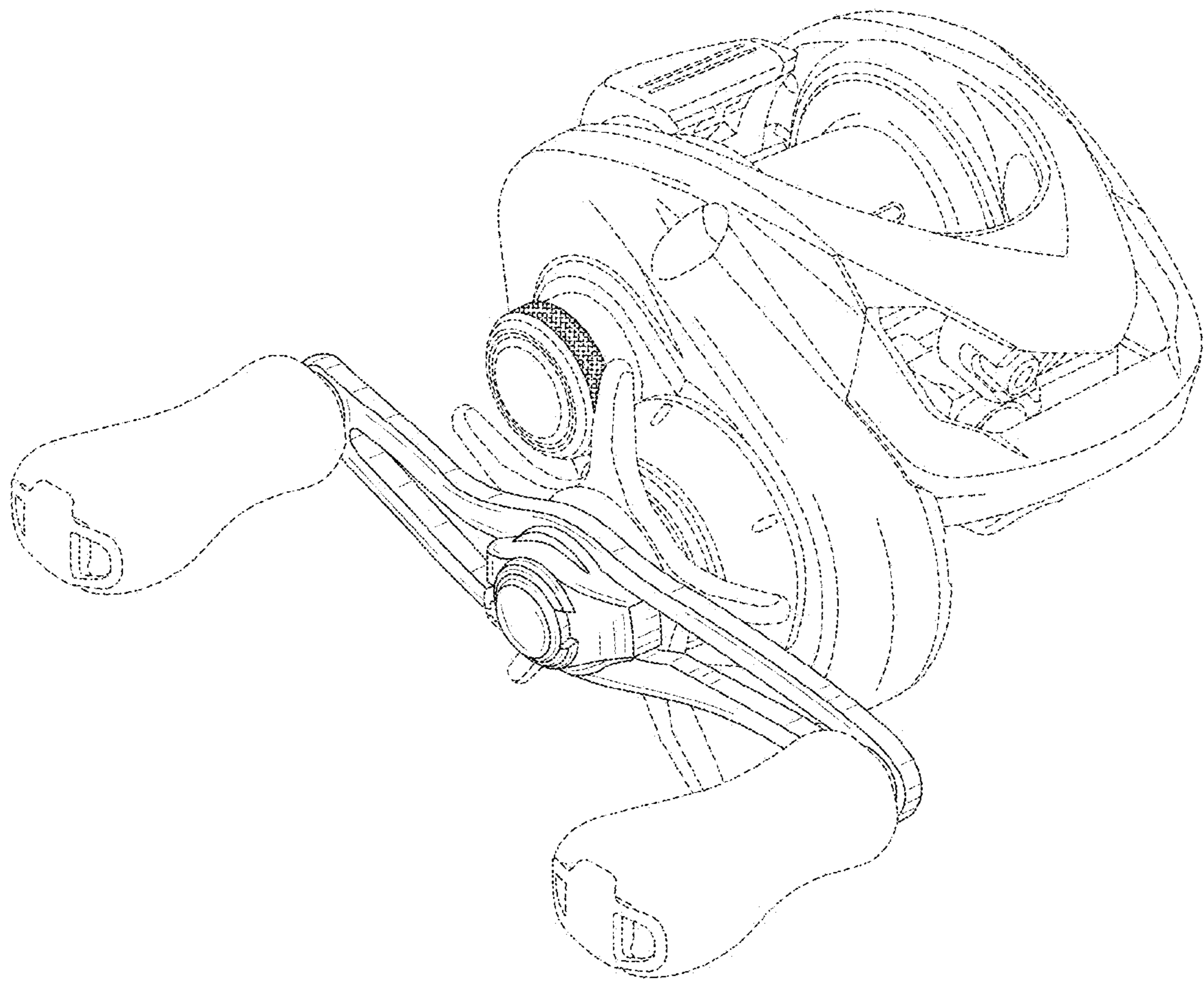


FIG. 1

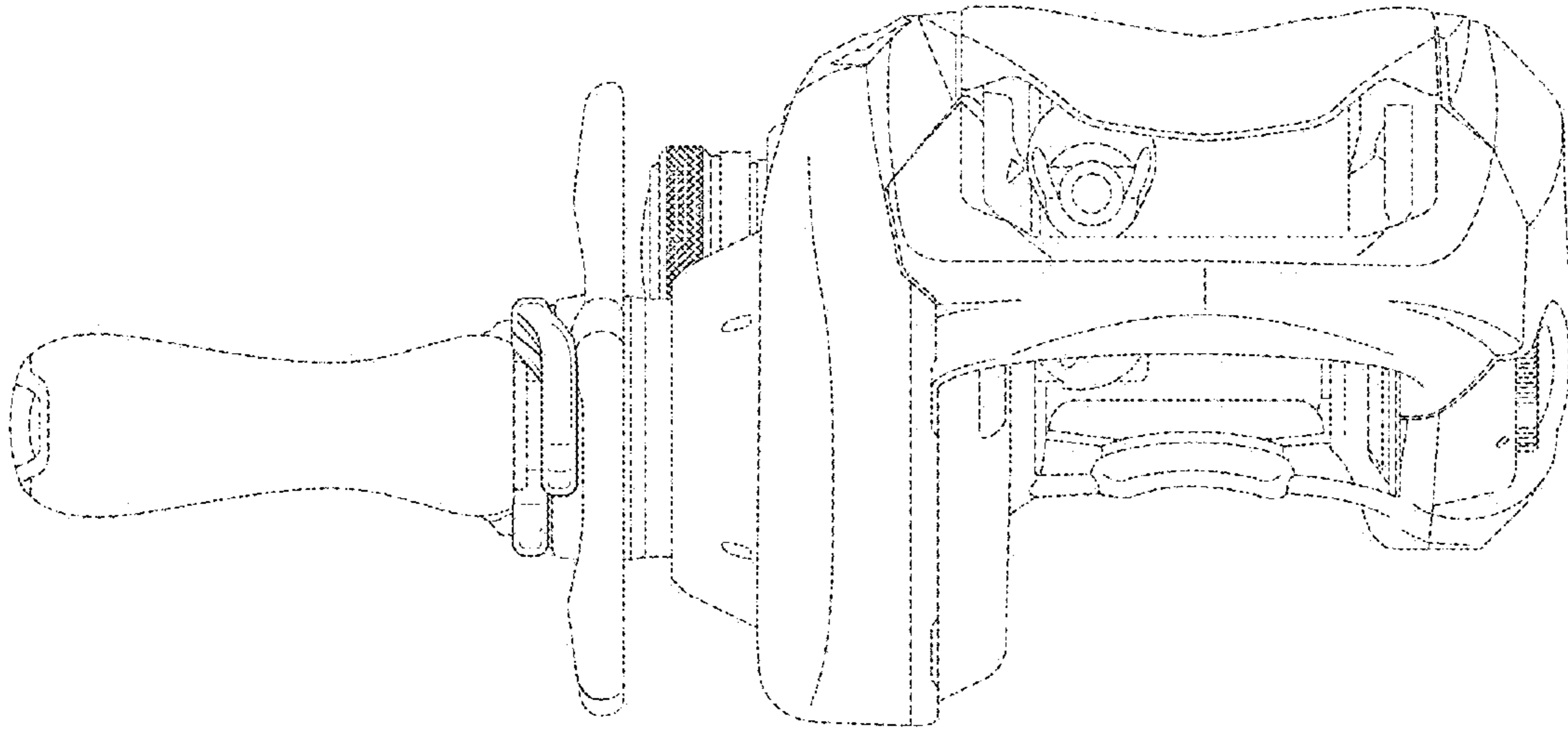


FIG. 2

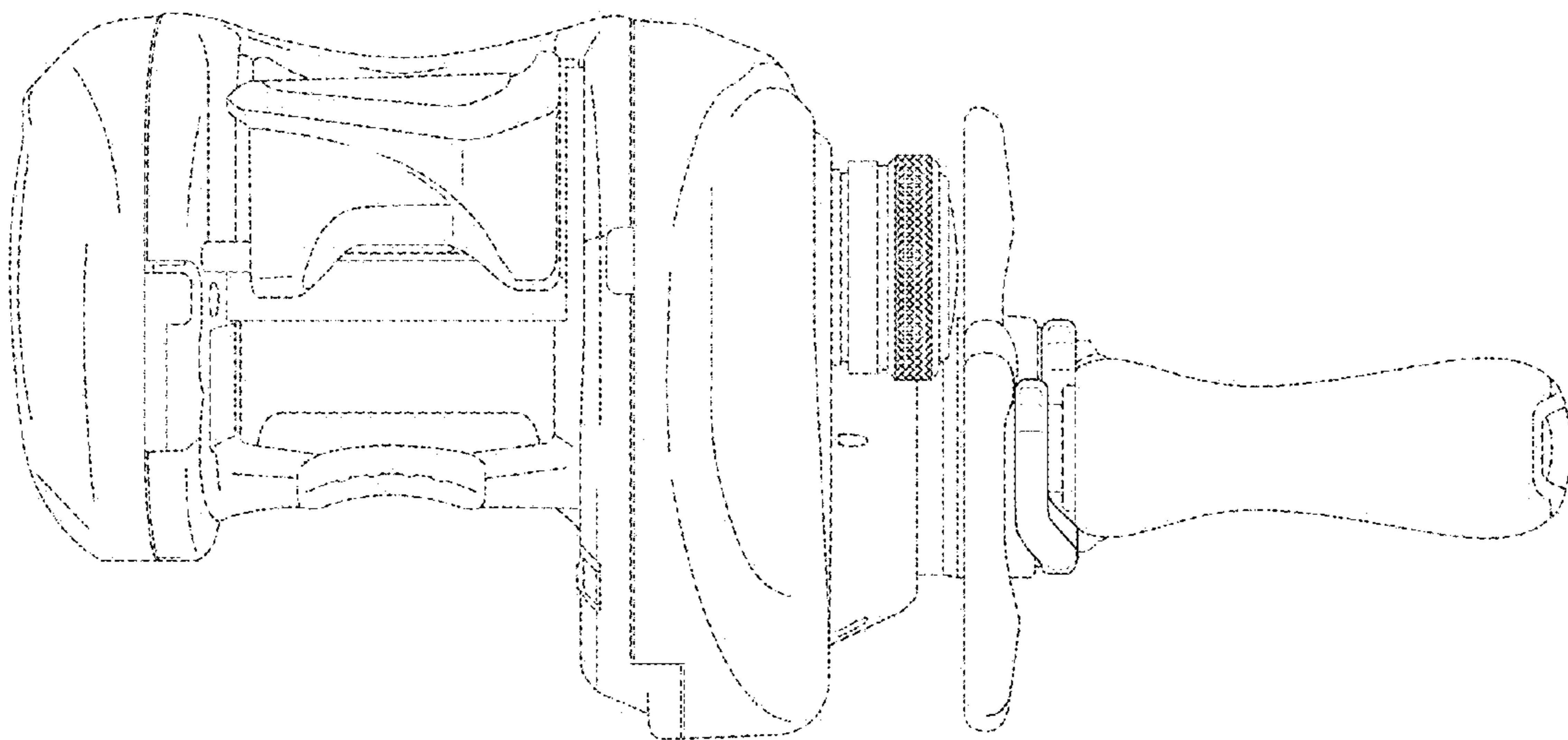


FIG. 3

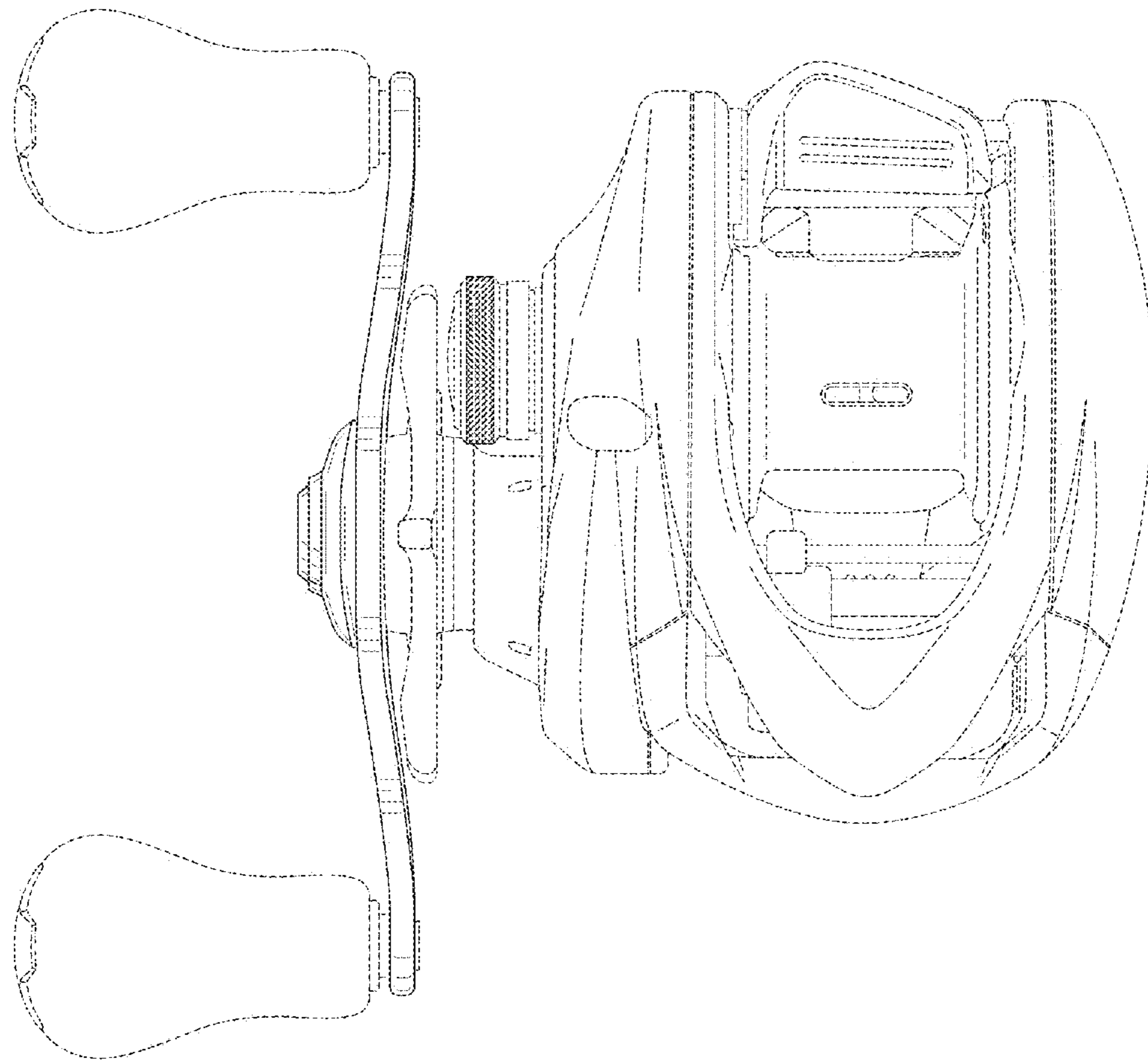


FIG. 4

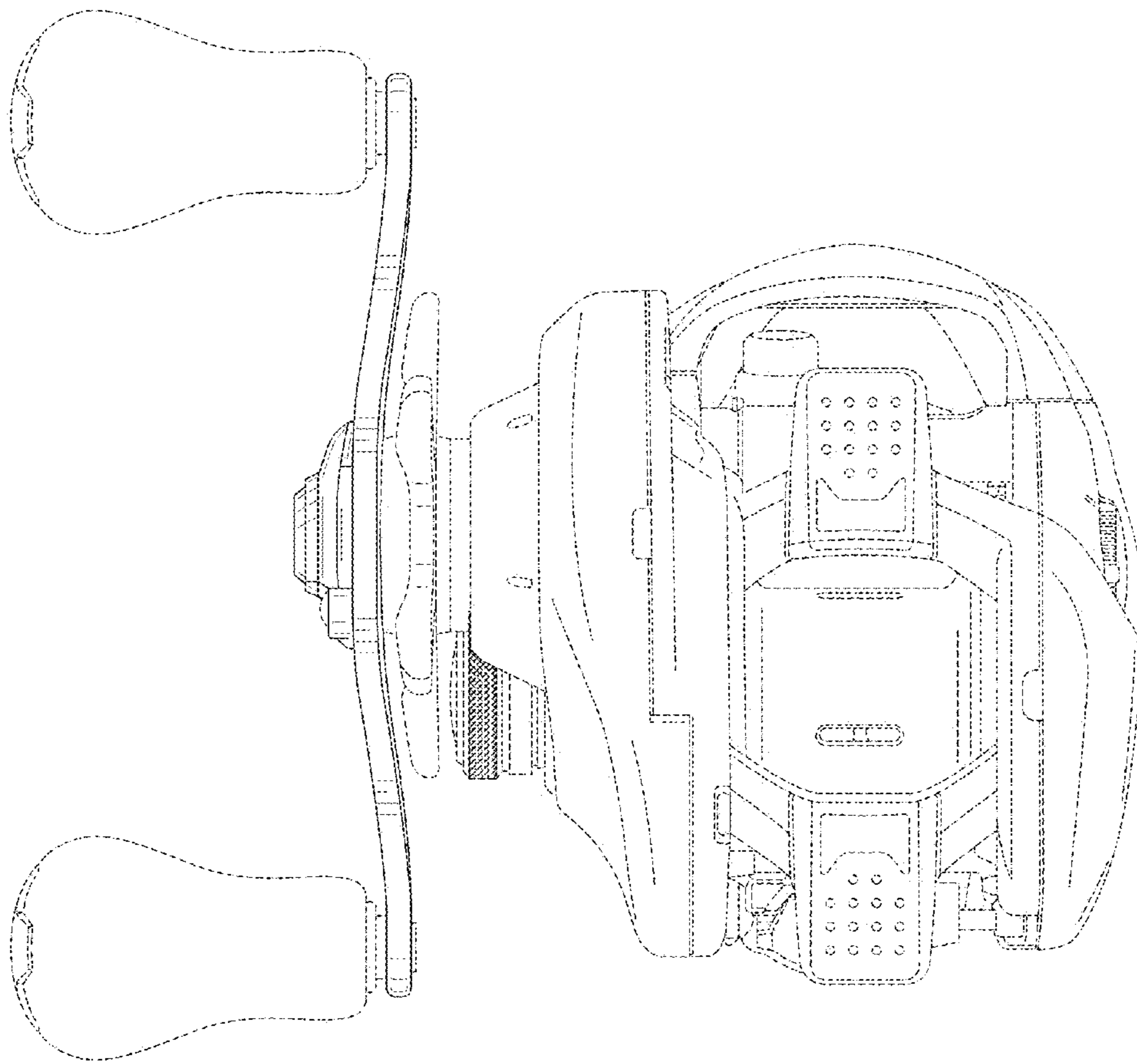


FIG. 5

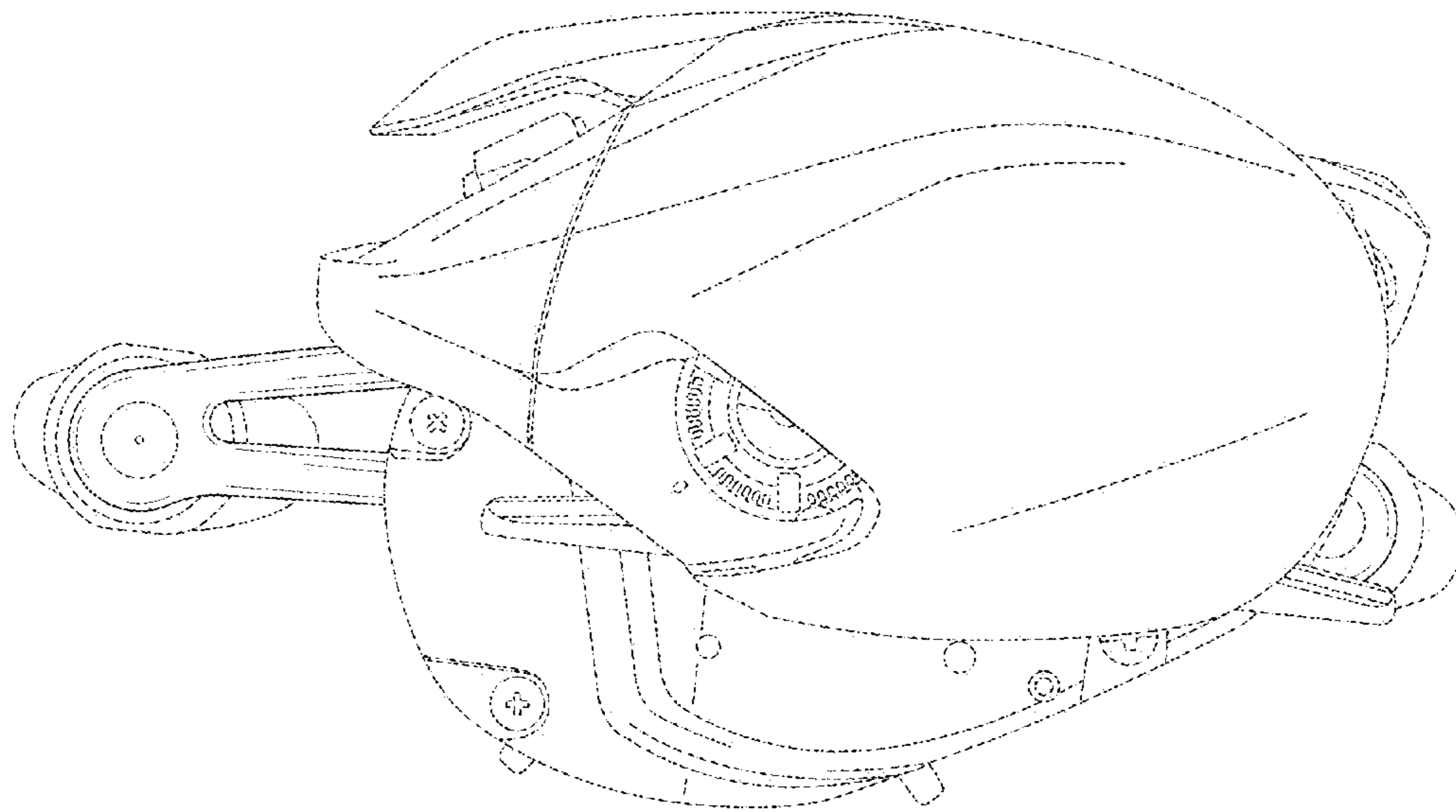


FIG. 6

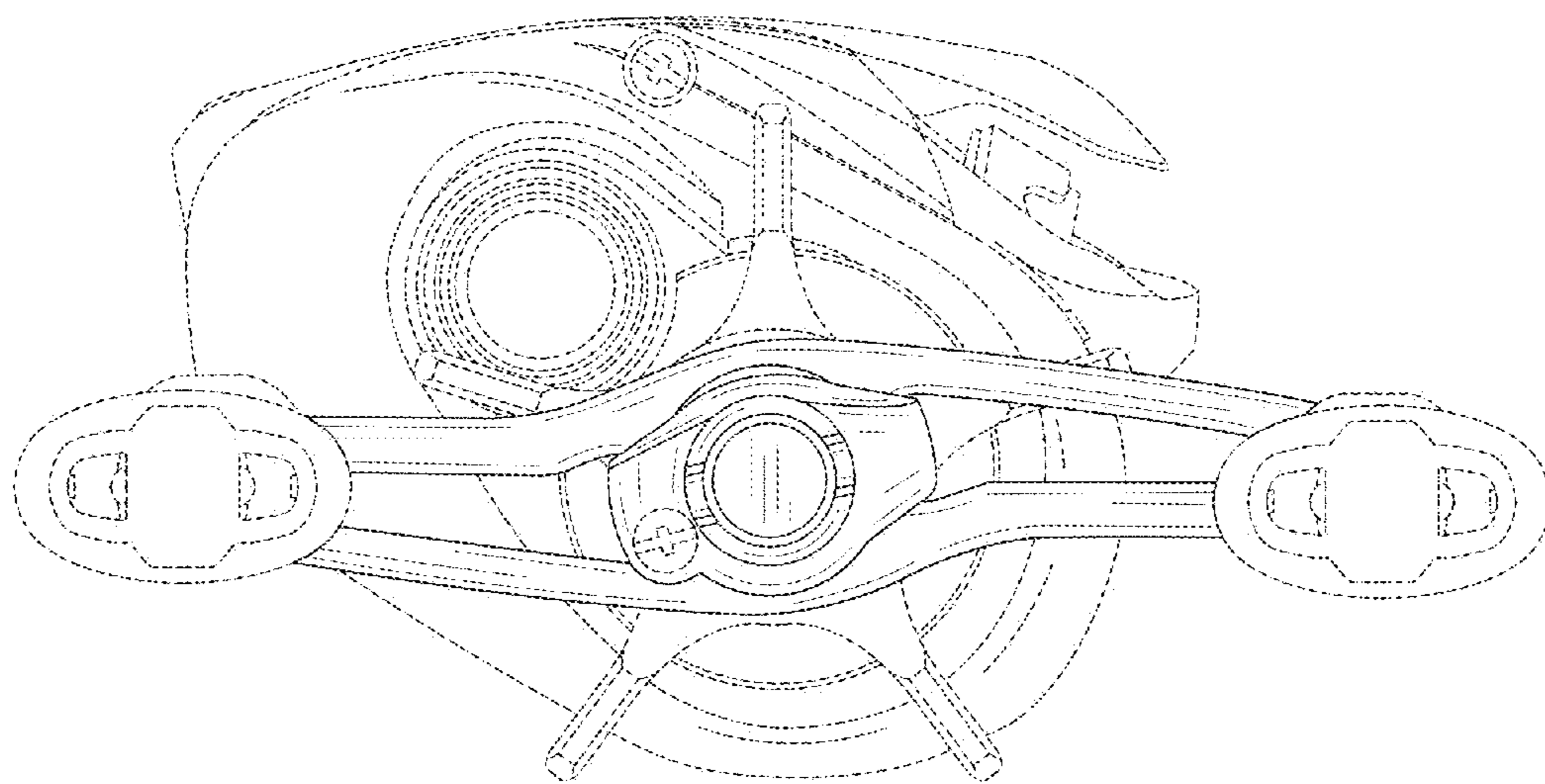


FIG. 7