



US00D767083S

(12) **United States Design Patent**  
**Niitsuma**

(10) **Patent No.:** **US D767,083 S**

(45) **Date of Patent:** **\*\* Sep. 20, 2016**

(54) **FISHING REEL**

D718,409 S 11/2014 Asaba  
D724,173 S \* 3/2015 Asaba ..... D22/140  
D731,613 S \* 6/2015 Kano ..... D22/140

(71) Applicant: **Shimano Inc.**, Sakai, Osaka (JP)

\* cited by examiner

(72) Inventor: **Motohiro Niitsuma**, Osaka (JP)

*Primary Examiner* — Catheri Oliver-Garcia

(73) Assignee: **Shimano Inc.**, Osaka (JP)

(74) *Attorney, Agent, or Firm* — Global IP Counselors

(\*\*) Term: **15 Years**

(57) **CLAIM**

(21) Appl. No.: **29/527,984**

The ornamental design for fishing reel, as shown and described.

(22) Filed: **May 22, 2015**

**DESCRIPTION**

(30) **Foreign Application Priority Data**

Dec. 4, 2014 (JP) ..... 2014-027156

(51) **LOC (10) Cl.** ..... **22-05**

(52) **U.S. Cl.**  
USPC ..... **D22/140**

(58) **Field of Classification Search**  
USPC ..... D22/137–142; 43/19–22; 242/239, 243,  
242/282, 284, 289, 300, 311; 74/543  
CPC ..... A01K 89/02; A01K 89/89; A01K 89/006  
See application file for complete search history.

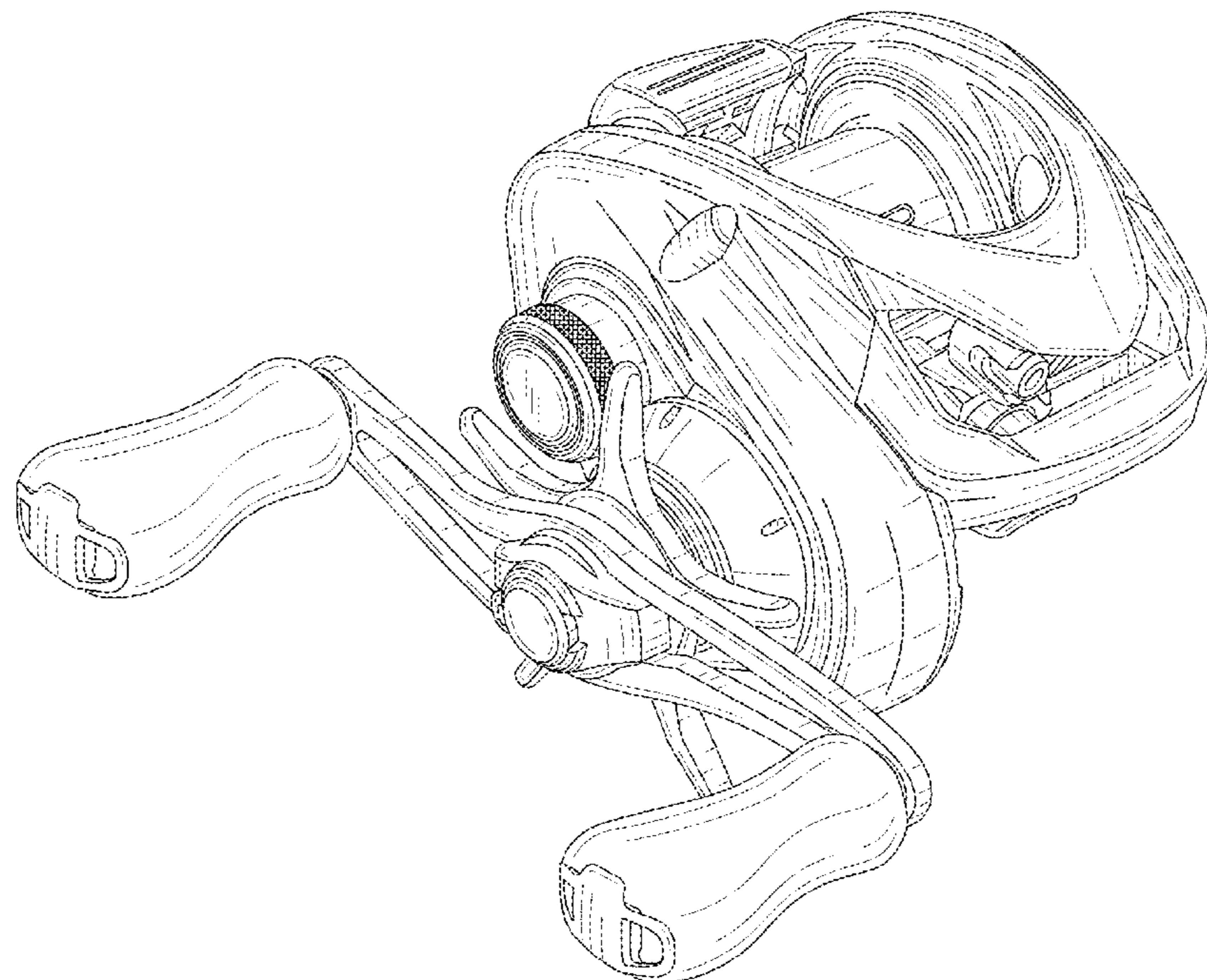
FIG. 1 is a first perspective view of a fishing reel in accordance with my new design;  
FIG. 2 is a second perspective view of the fishing reel illustrated in FIG. 1;  
FIG. 3 is a first end elevational view of the fishing reel illustrated in FIG. 1;  
FIG. 4 is a second end elevational view of the fishing reel illustrated in FIG. 1;  
FIG. 5 is a top plan view of the fishing reel illustrated in FIG. 1;  
FIG. 6 is a bottom plan view of the fishing reel illustrated in FIG. 1;  
FIG. 7 is a first side elevational view of the fishing reel illustrated in FIG. 1; and,  
FIG. 8 is a second side elevational view of the fishing reel illustrated in FIG. 1.

(56) **References Cited**

**U.S. PATENT DOCUMENTS**

D368,955 S \* 4/1996 Robbins ..... D22/140  
D674,868 S 1/2013 Deguchi et al.  
D709,985 S 7/2014 Deguchi

**1 Claim, 5 Drawing Sheets**



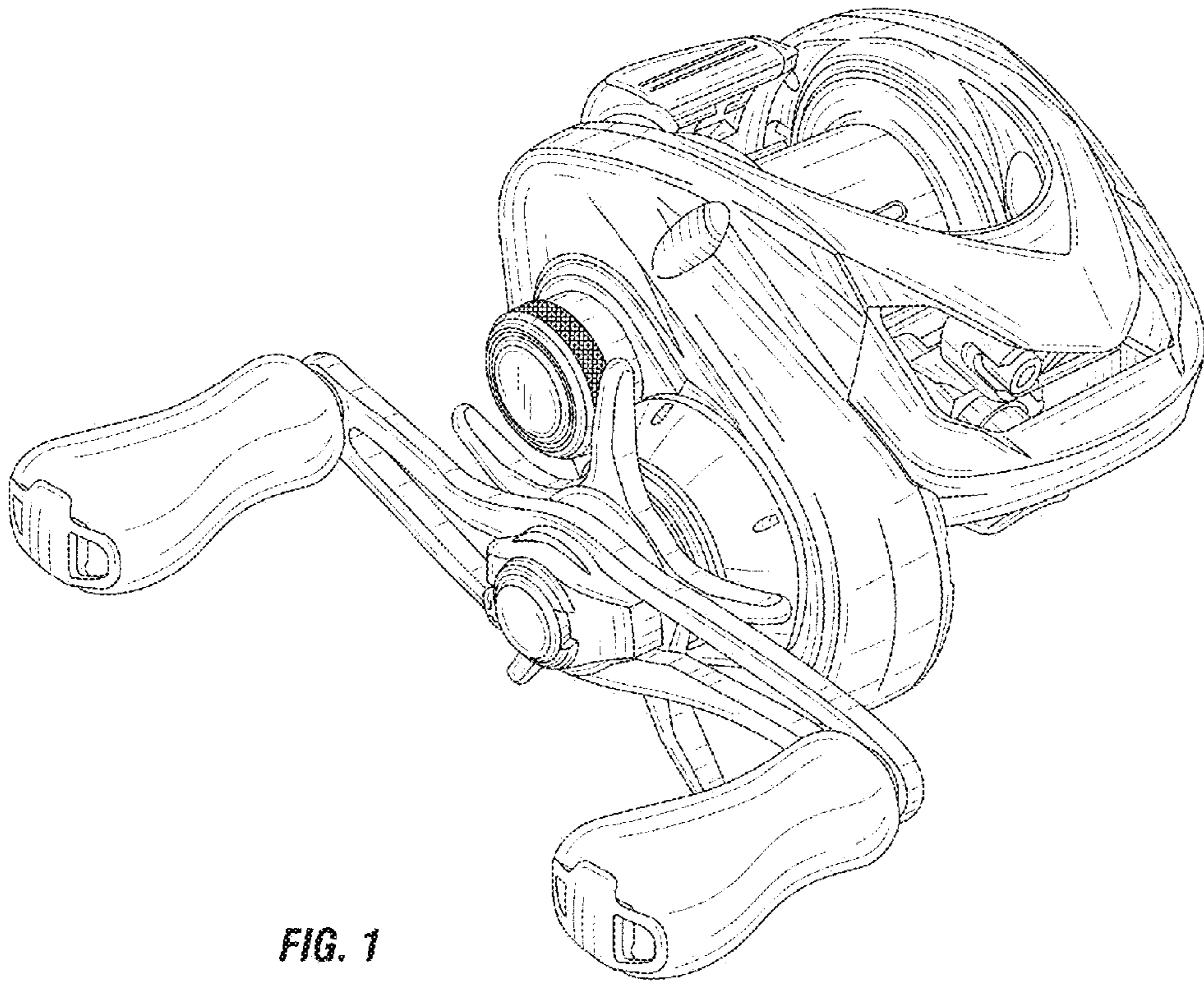


FIG. 1

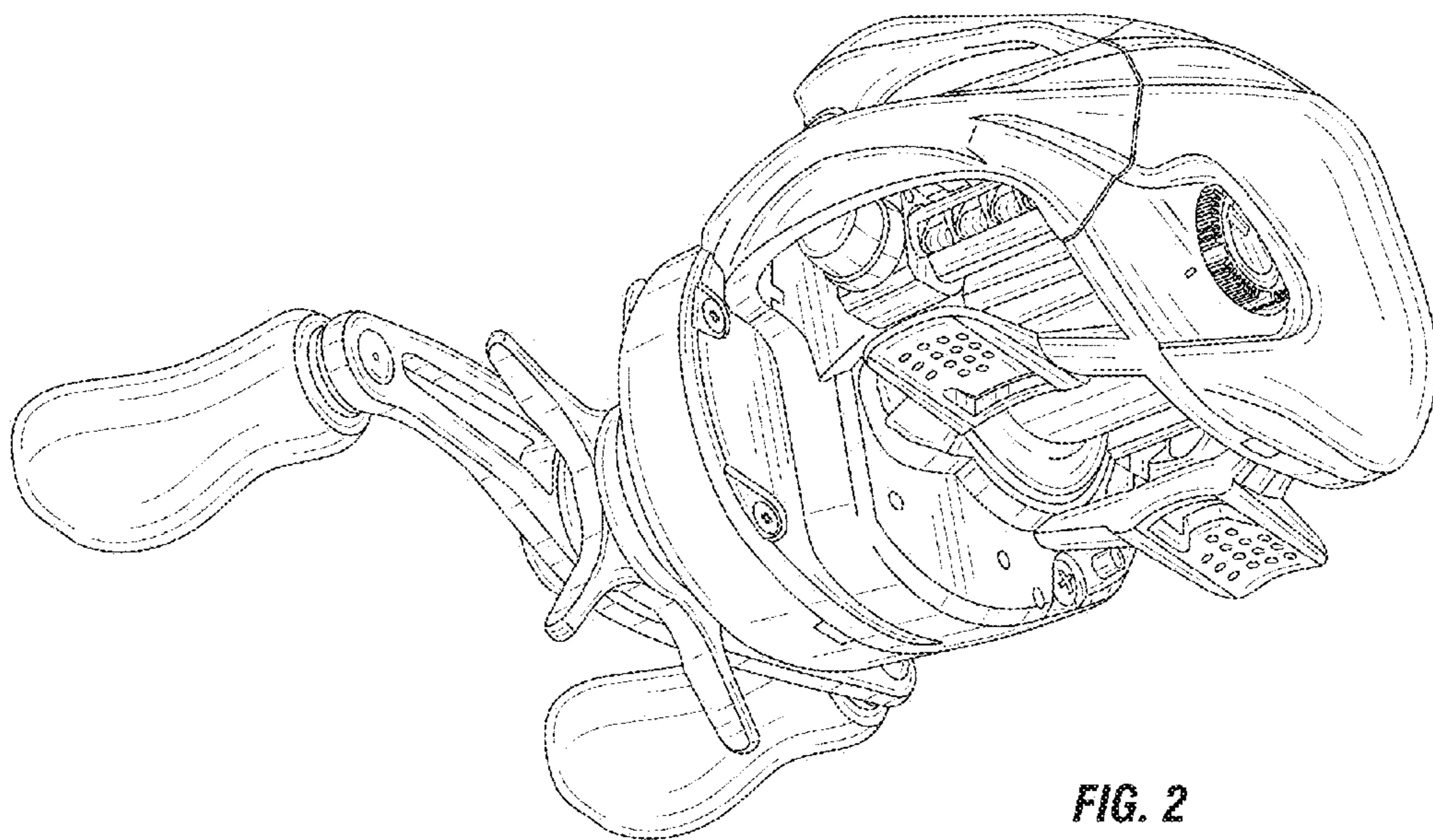


FIG. 2



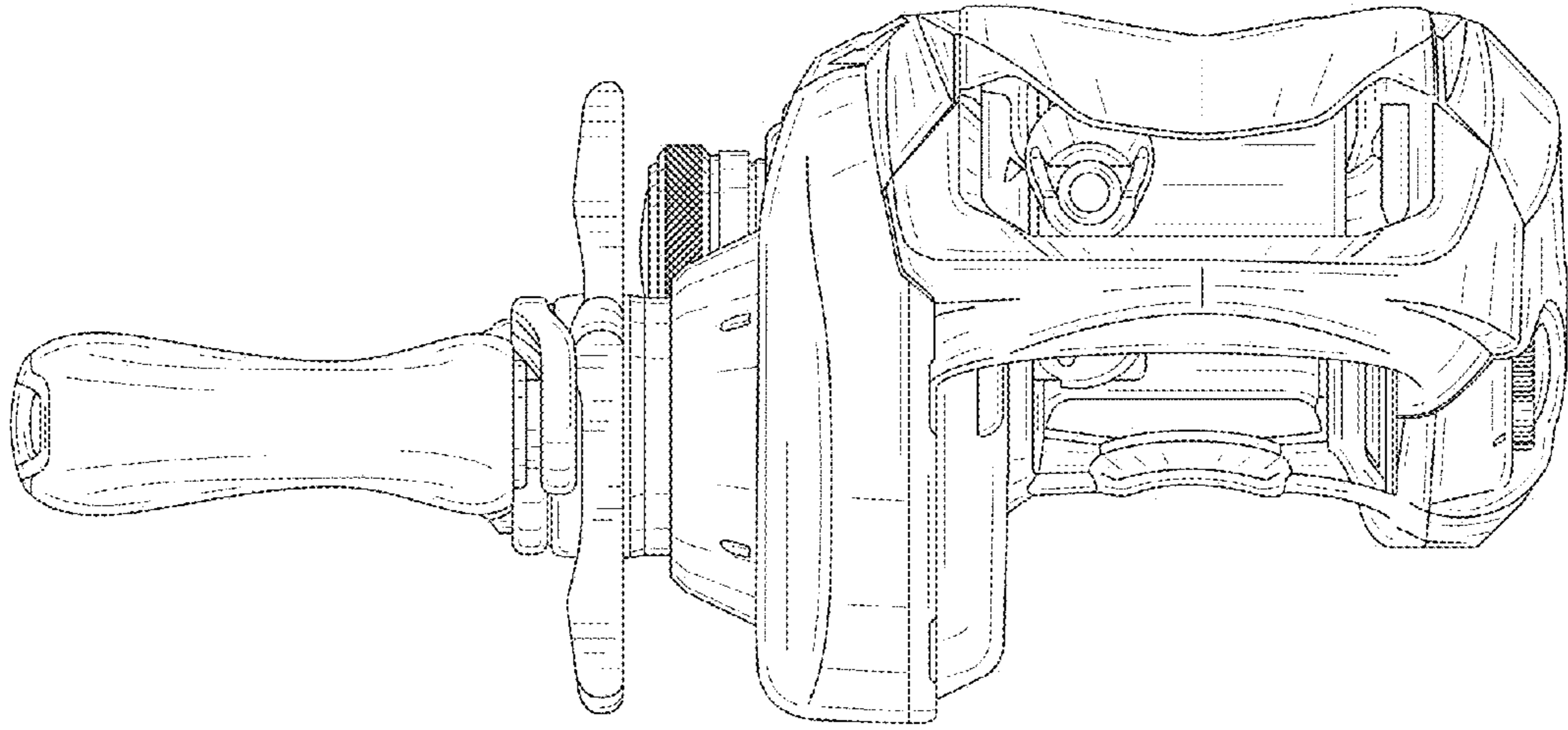


FIG. 3

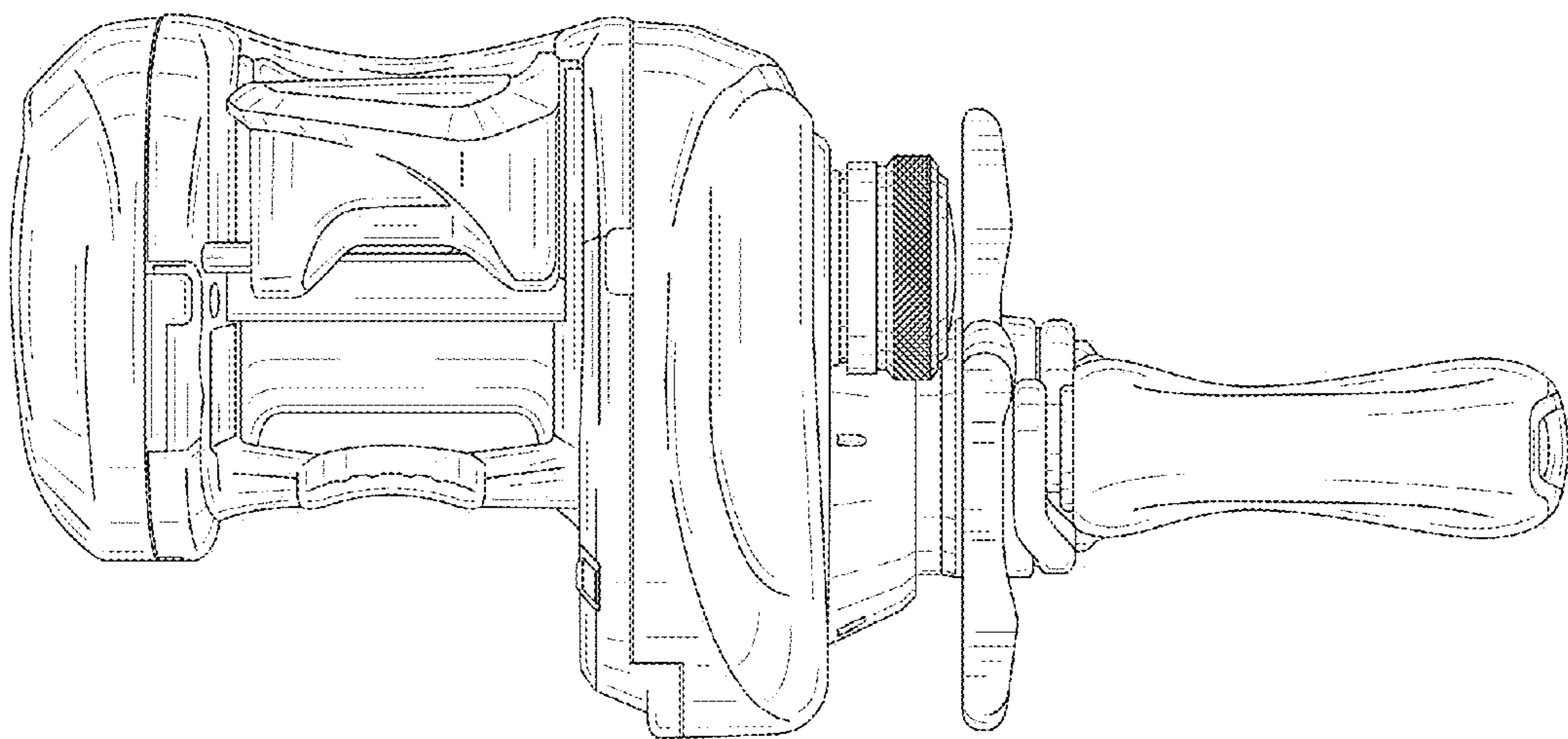


FIG. 4

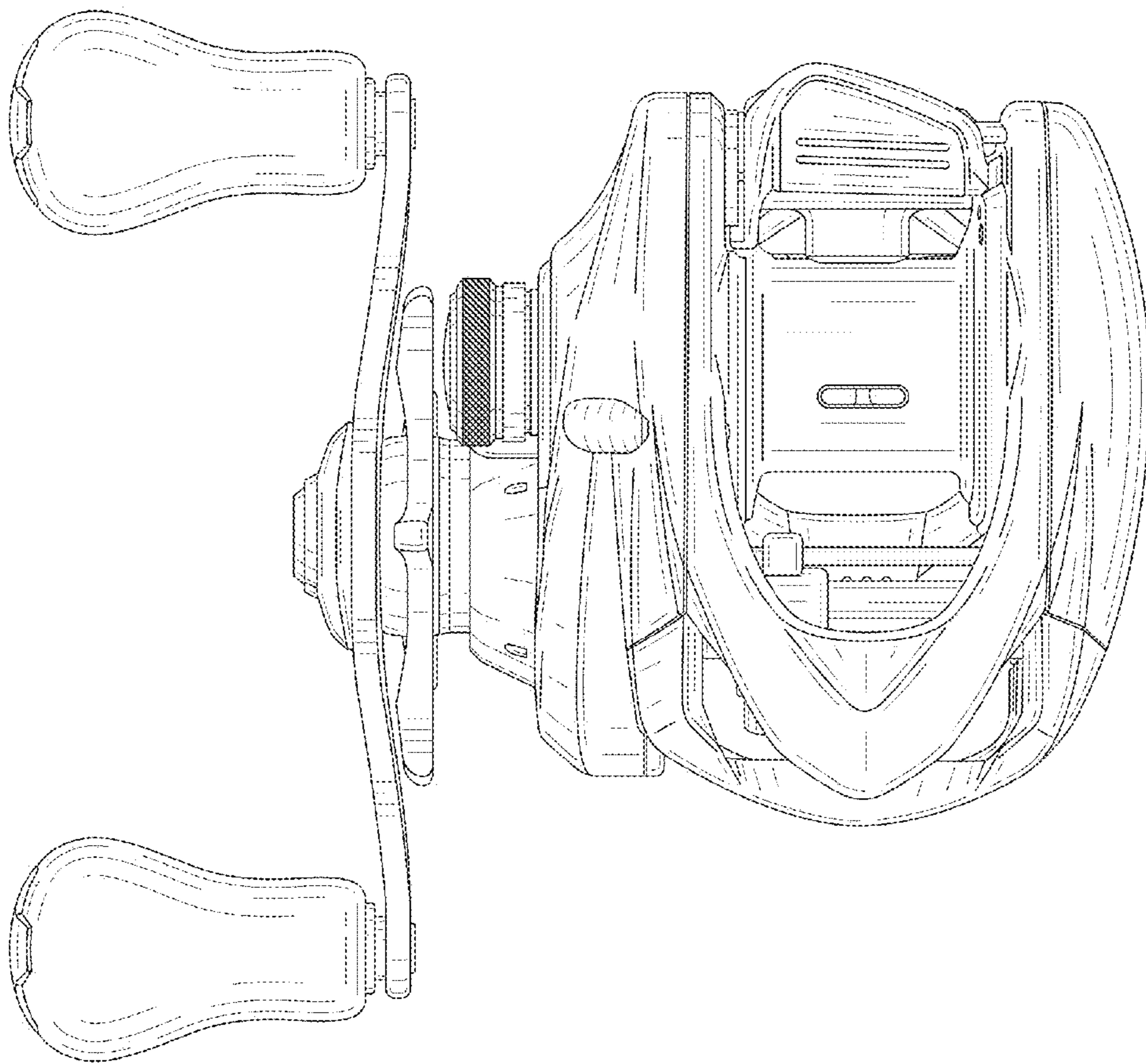


FIG. 5

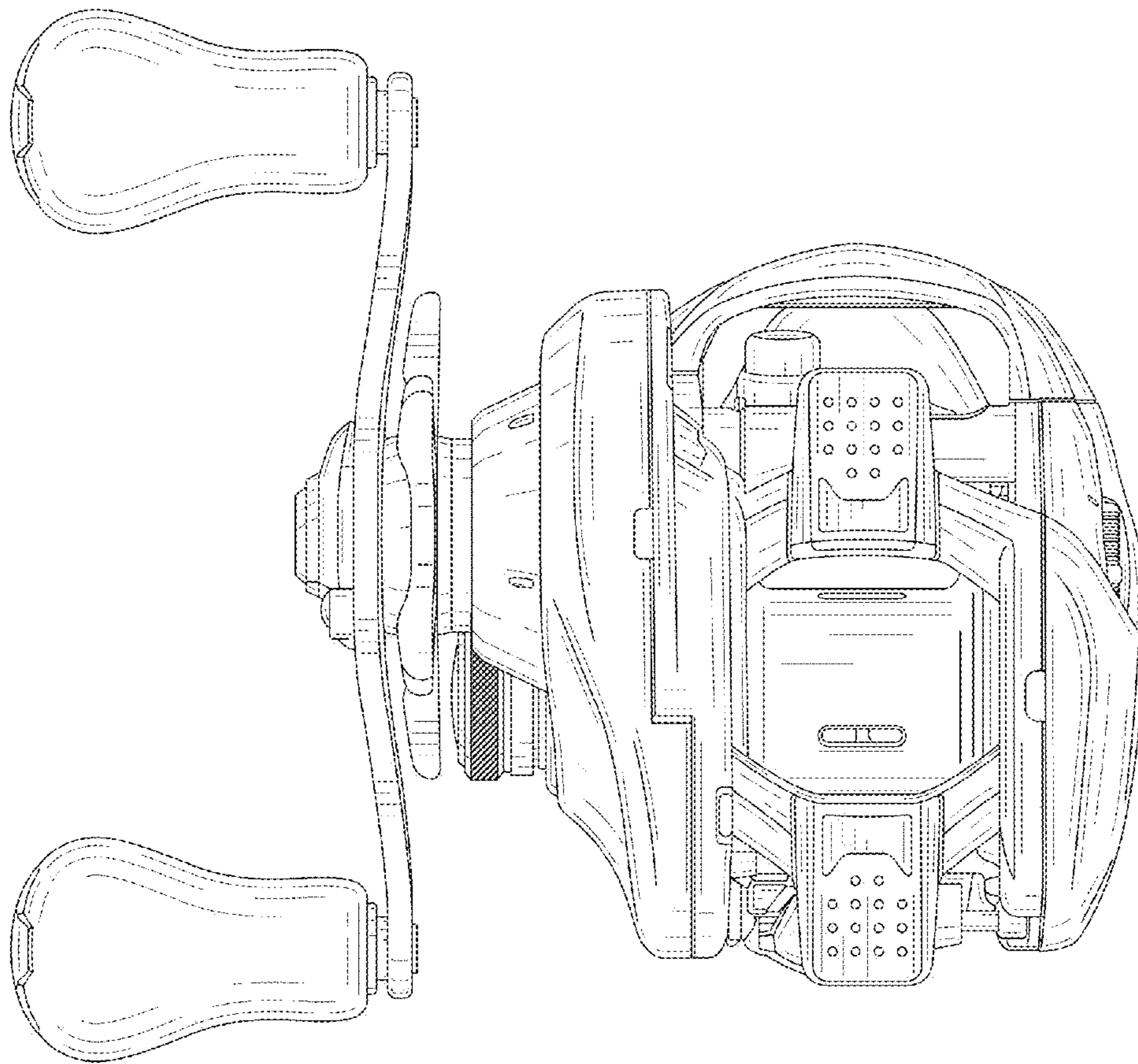


FIG. 6



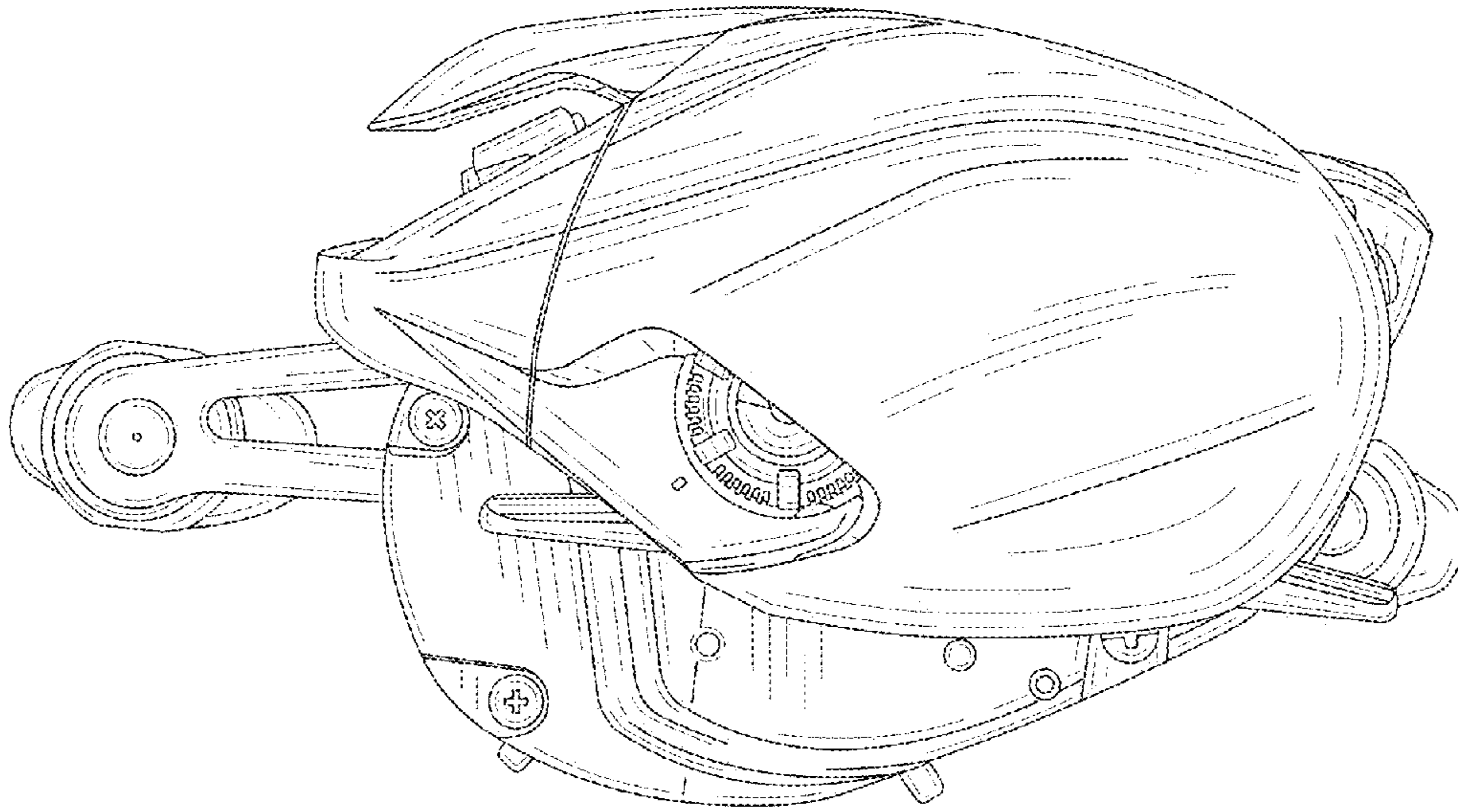


FIG. 7

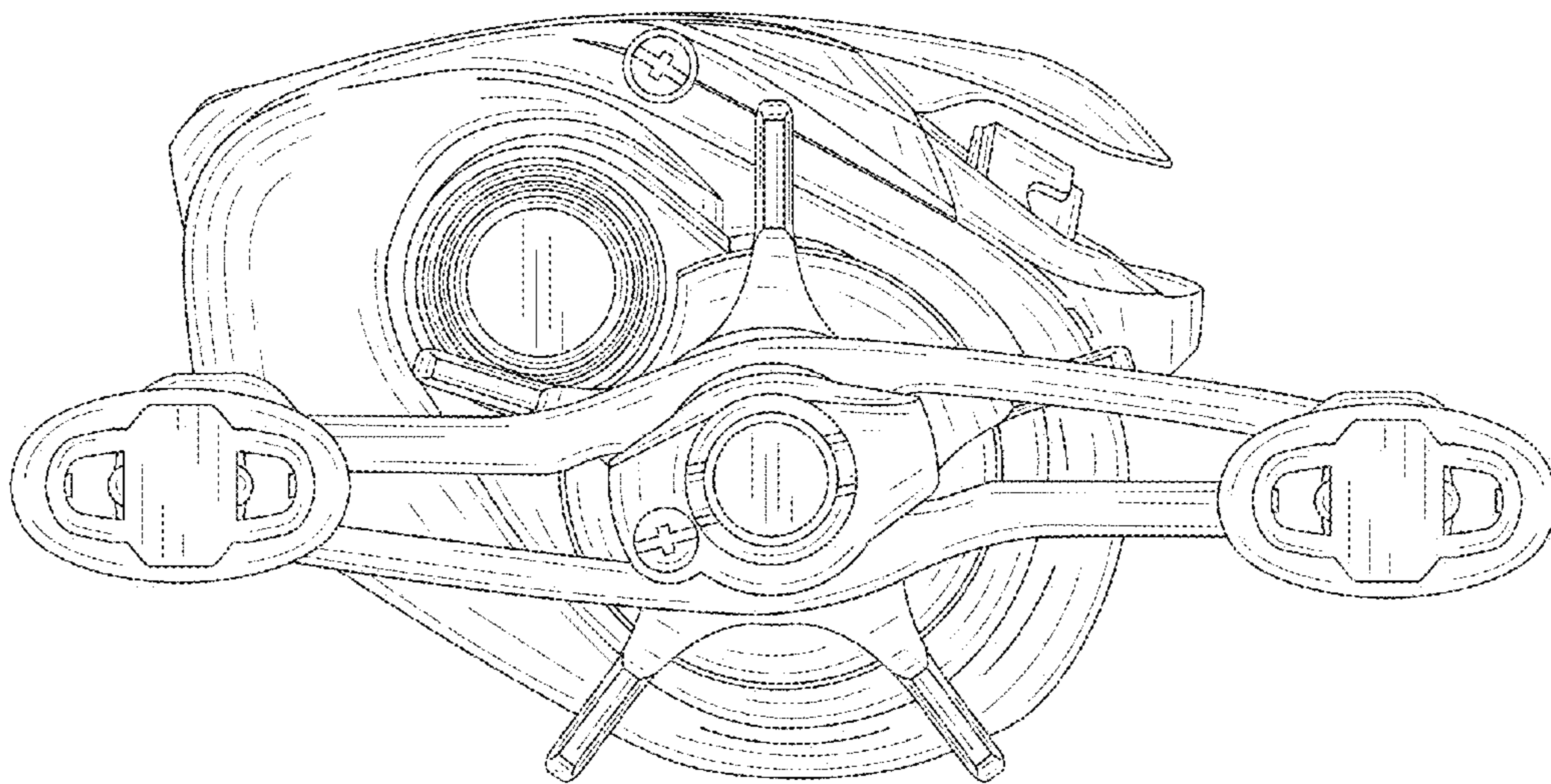


FIG. 8