



US00D767082S

(12) **United States Design Patent** (10) **Patent No.:** **US D767,082 S**
Nago (45) **Date of Patent:** **** Sep. 20, 2016**

(54) **FISHING REEL PORTION**

(71) Applicant: **Shimano Inc.**, Sakai, Osaka (JP)
(72) Inventor: **Akira Nago**, Osaka (JP)
(73) Assignee: **Shimano Inc.**, Osaka (JP)
(**) Term: **15 Years**

(21) Appl. No.: **29/527,981**

(22) Filed: **May 22, 2015**

(30) **Foreign Application Priority Data**

Dec. 4, 2014 (JP) 2014-027151

(51) **LOC (10) Cl.** **22-05**

(52) **U.S. Cl.**
USPC **D22/140**

(58) **Field of Classification Search**

USPC D22/137-141; 43/24, 25.2, 26, 42.1,
43/42.35; 242/223-224, 231, 240,
242/314-315, 318, 322, 370, 310-311
CPC A01K 89/01; A01K 97/06
See application file for complete search history.

(56) **References Cited**

U.S. PATENT DOCUMENTS

7,118,059 B2 * 10/2006 Morise A01K 89/01
242/311
D539,378 S * 3/2007 Kondo D22/141

(Continued)

FOREIGN PATENT DOCUMENTS

JP 1394770 S 8/2010
JP 1476531 S 8/2013

Primary Examiner — Catheri Oliver-Garcia

(74) *Attorney, Agent, or Firm* — Global IP Counselors

(57) **CLAIM**

The ornamental design for fishing reel portion, as shown and described.

DESCRIPTION

FIG. 1 is a first perspective view of a fishing reel that includes a fishing reel portion in accordance with my new design;

FIG. 2 is a first side elevational view of the fishing reel illustrated in FIG. 1 with the fishing reel portion;

FIG. 3 is a second side elevational view, which is the opposite side from FIG. 2, of the fishing reel illustrated in FIG. 1 with the fishing reel portion;

FIG. 4 is a top plan view of the fishing reel illustrated in FIG. 1 with the fishing reel portion;

FIG. 5 is a bottom plan view of the fishing reel illustrated in FIG. 1 with the fishing reel portion completely hidden from sight;

FIG. 6 is a first end elevational view of the fishing reel illustrated in FIG. 1 with the fishing reel portion;

FIG. 7 is a second end elevational view of the fishing reel illustrated in FIG. 1 with the fishing reel portion completely hidden from sight;

FIG. 8 is a side elevational view, similar to FIG. 2, of the fishing reel illustrated in FIG. 1, but with the rotor rotated ninety degrees such that the fishing reel portion is rotated ninety degrees with respect to FIG. 2;

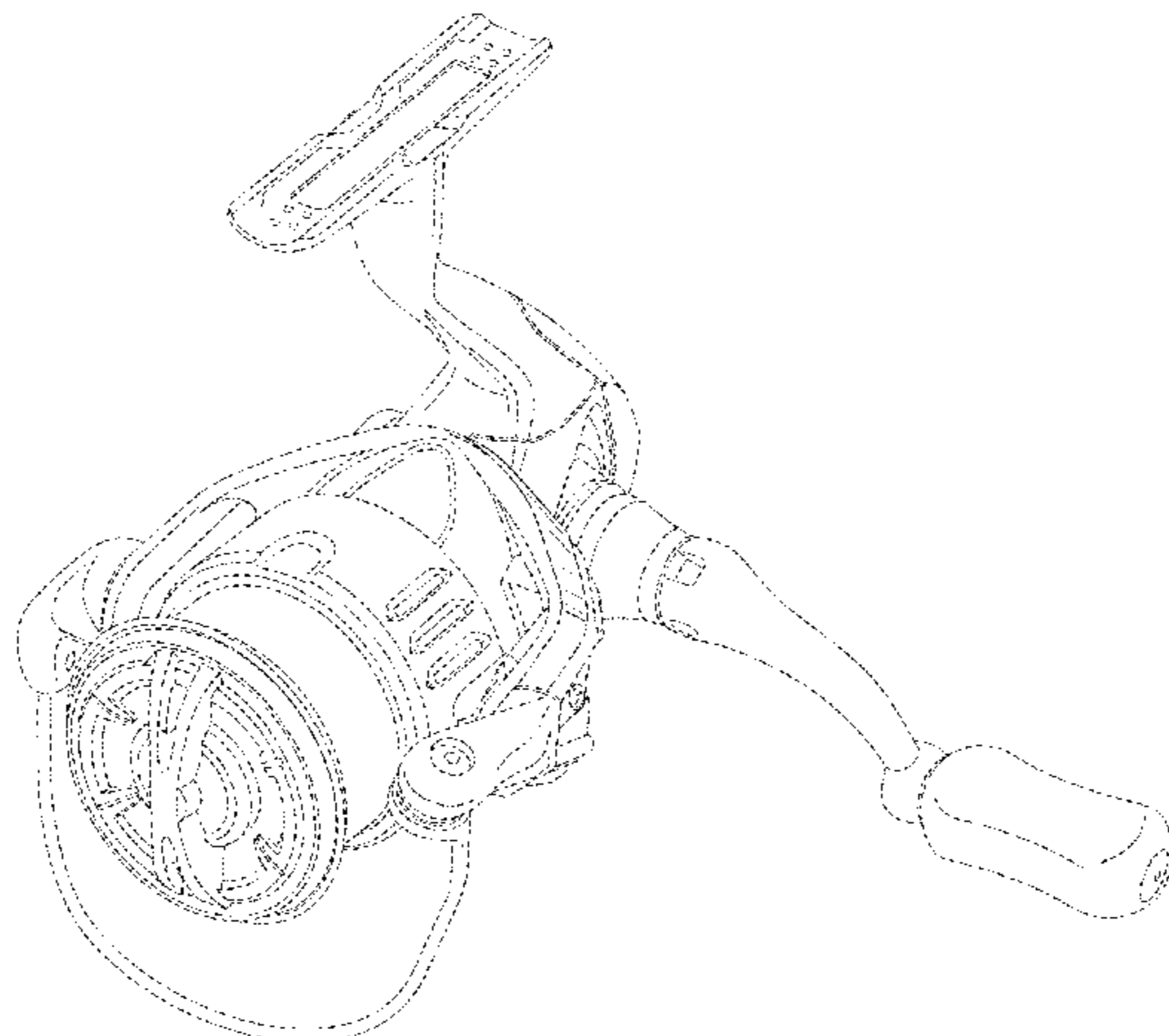
FIG. 9 is an enlarged, partial side elevational view of a portion of the fishing reel illustrated in FIG. 8 that includes the fishing reel portion; and,

FIG. 10 is an enlarged, partial elevational view, similar to FIG. 9, of an alternate fishing reel portion that is identical to the fishing reel portion of FIGS. 1 to 9, except that end boundaries of the fishing reel portion are shown in broken lines.

In the drawings, the broken line illustration of the environmental structure (the remaining structure of the fishing reel) in the drawings is not part of the claimed design. The broken line portion of the fishing reel spool does not form part of the claimed design.

The alternate fishing reel portion illustrated in FIG. 10 is identical to the fishing reel portion illustrated in FIGS. 1 to 9, except that the end boundaries of the alternate fishing reel portion illustrated in FIG. 10 does not form part of the claimed design in the alternate fishing reel portion illustrated in FIG. 10. In other words, with respect to the alternate design of the fishing reel portion illustrated in FIG. 10, it should be understood that the claimed design extends to the boundary but does not include the boundaries shown in broken lines.

1 Claim, 7 Drawing Sheets



US D767,082 S

Page 2

(56)

References Cited

D631,938 S * 2/2011 Fujioka D22/141
D725,229 S 3/2015 Deguchi et al.

U.S. PATENT DOCUMENTS

D613,365 S * 4/2010 Rodstein D22/141 * cited by examiner

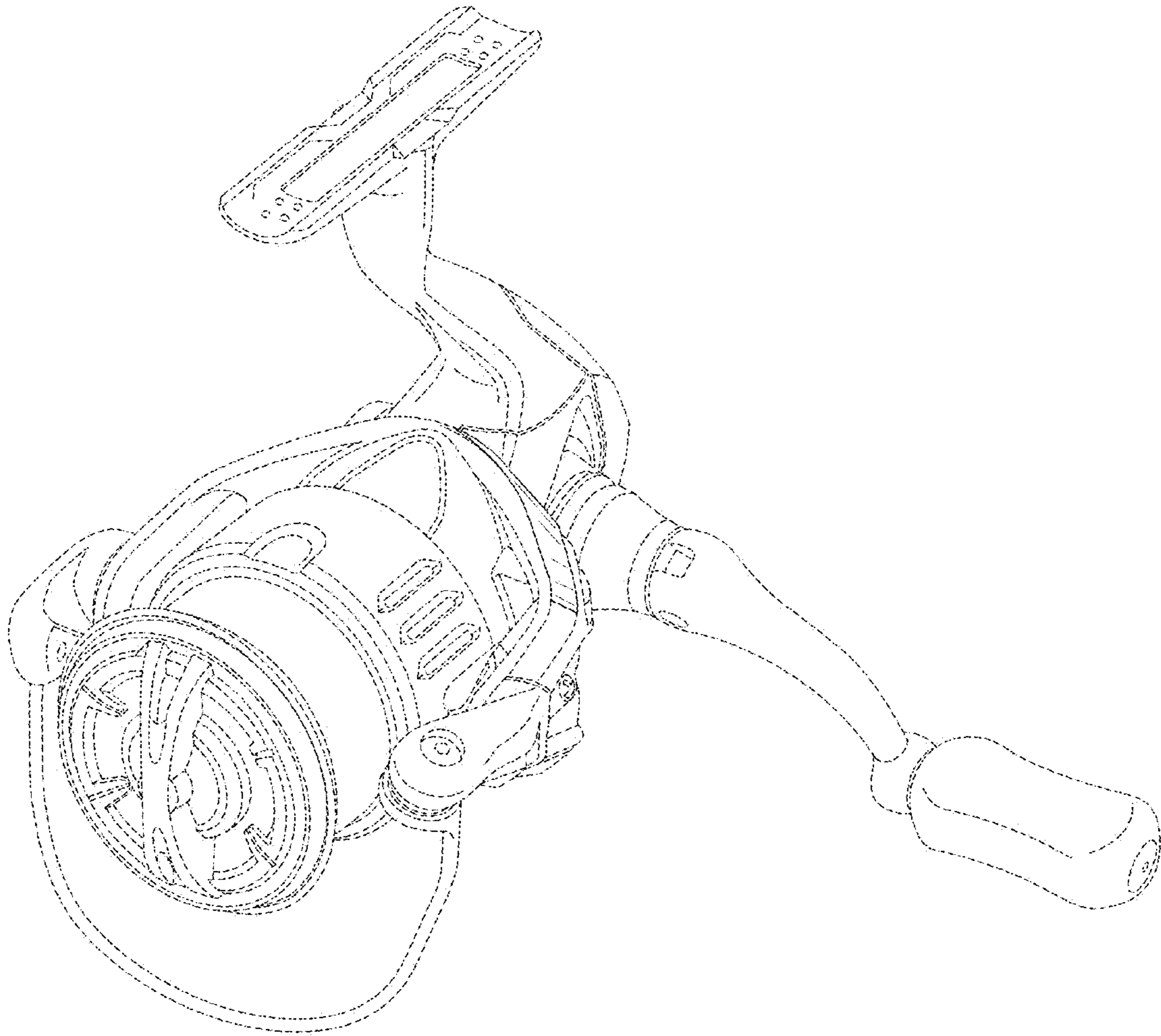


FIG. 1

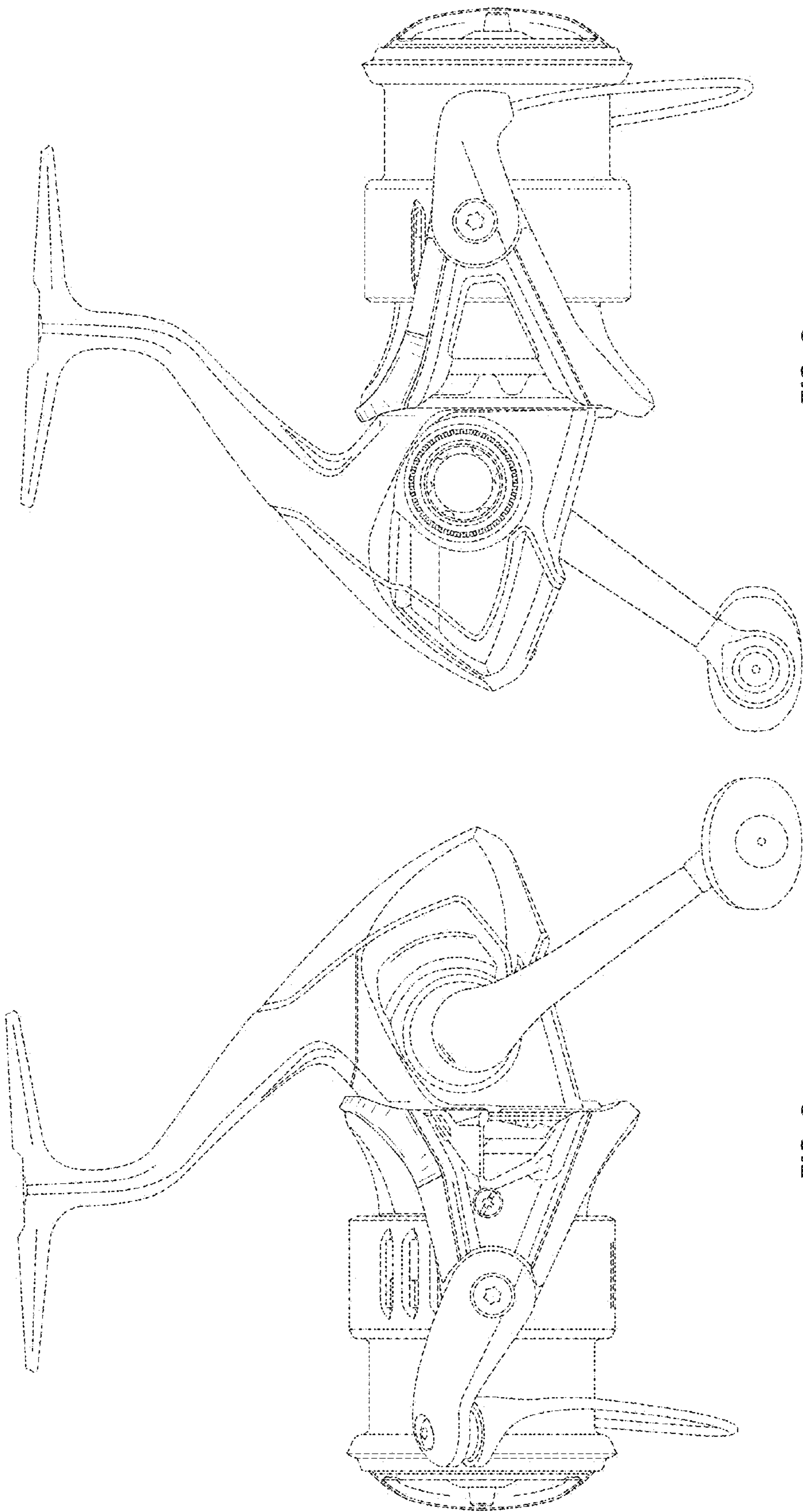


FIG. 3

FIG. 2

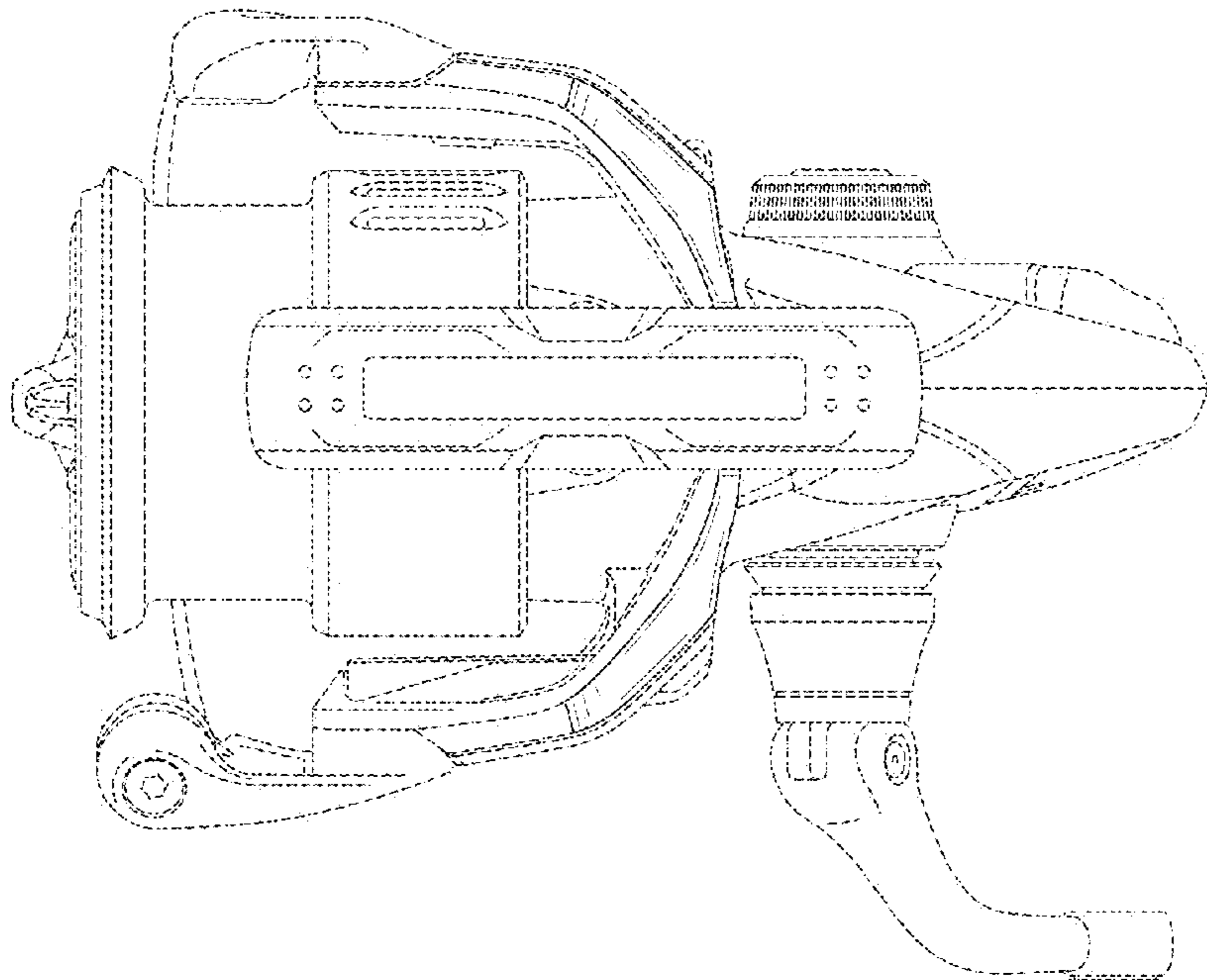


FIG. 4

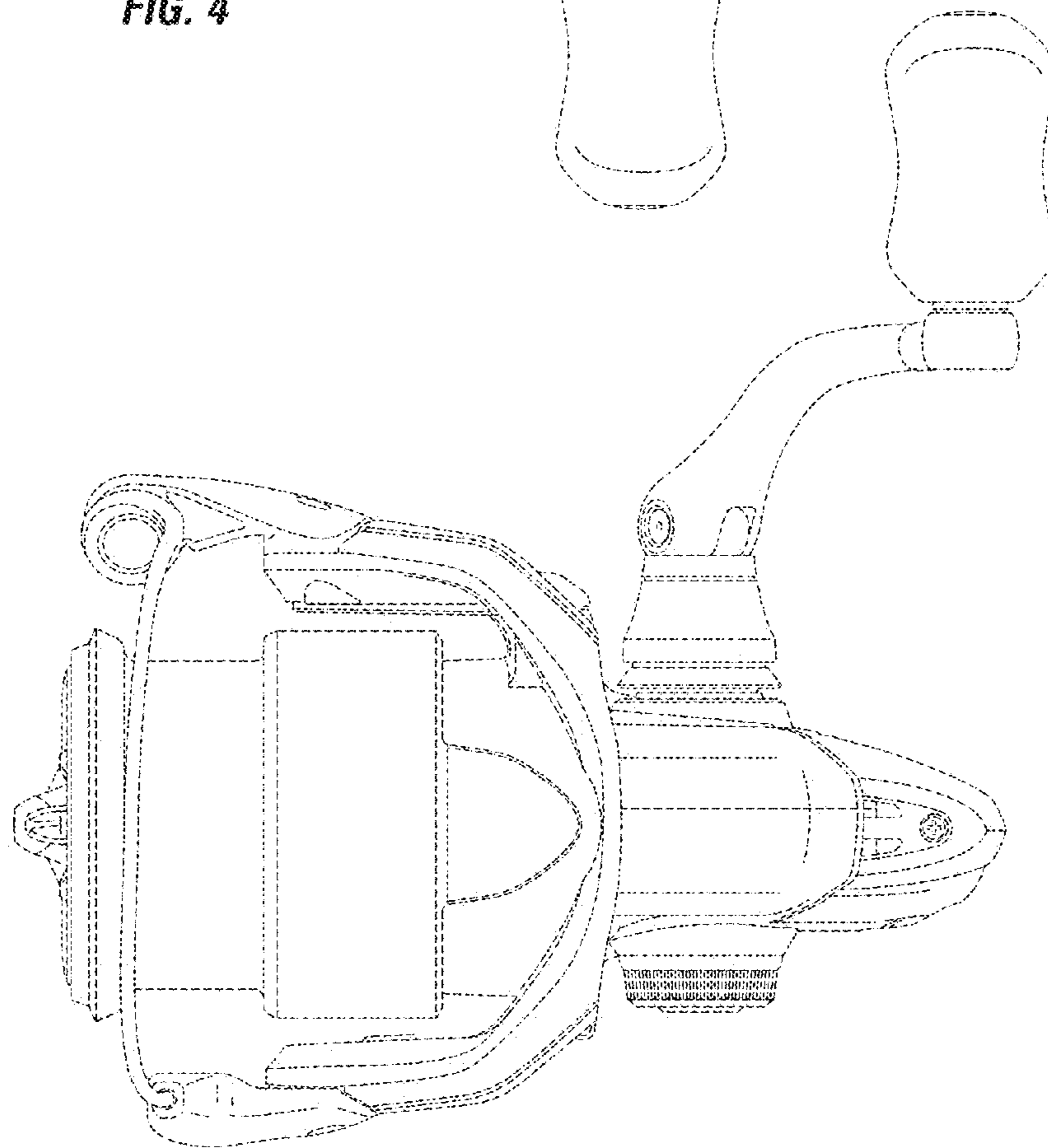


FIG. 5

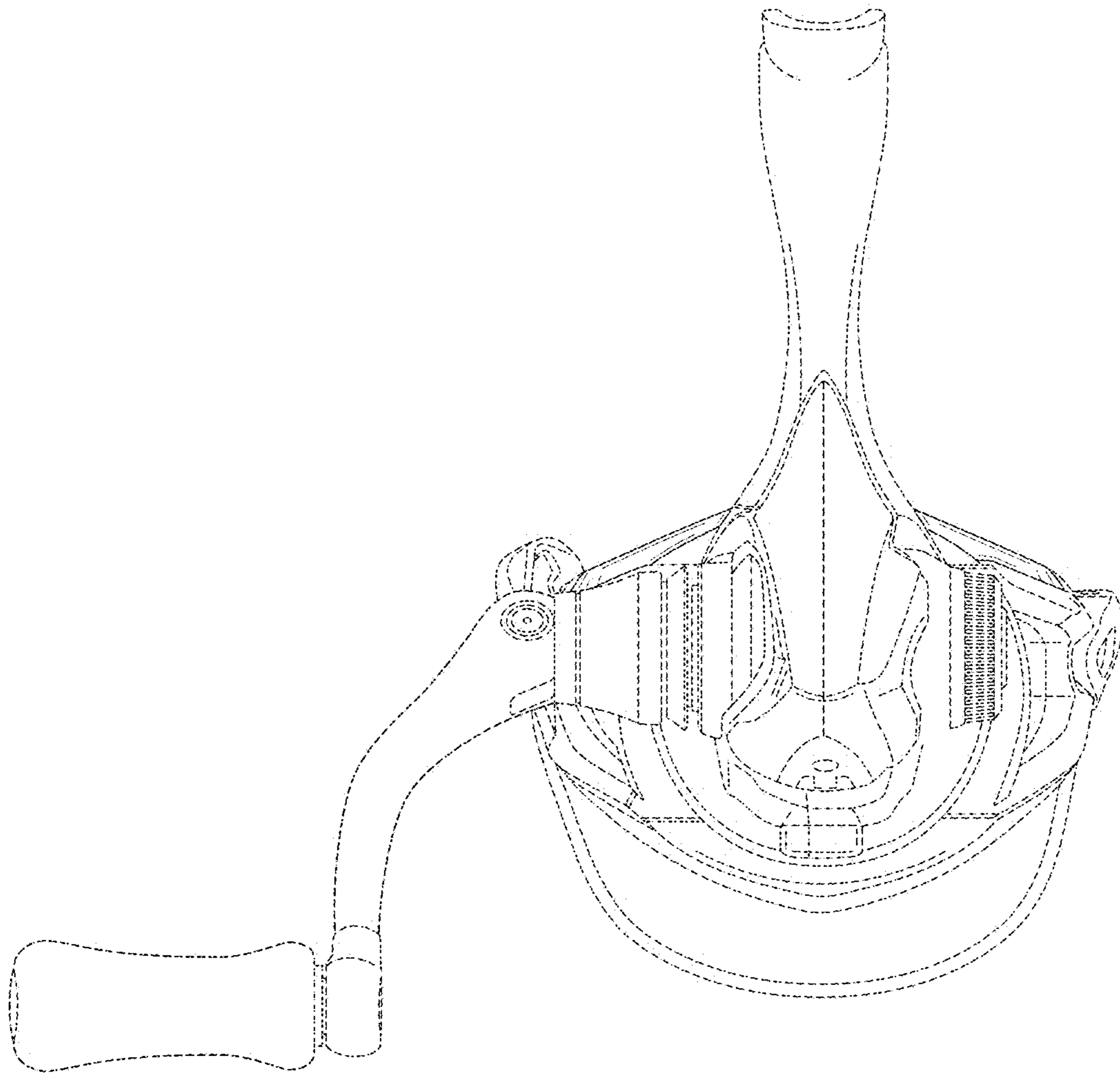


FIG. 6

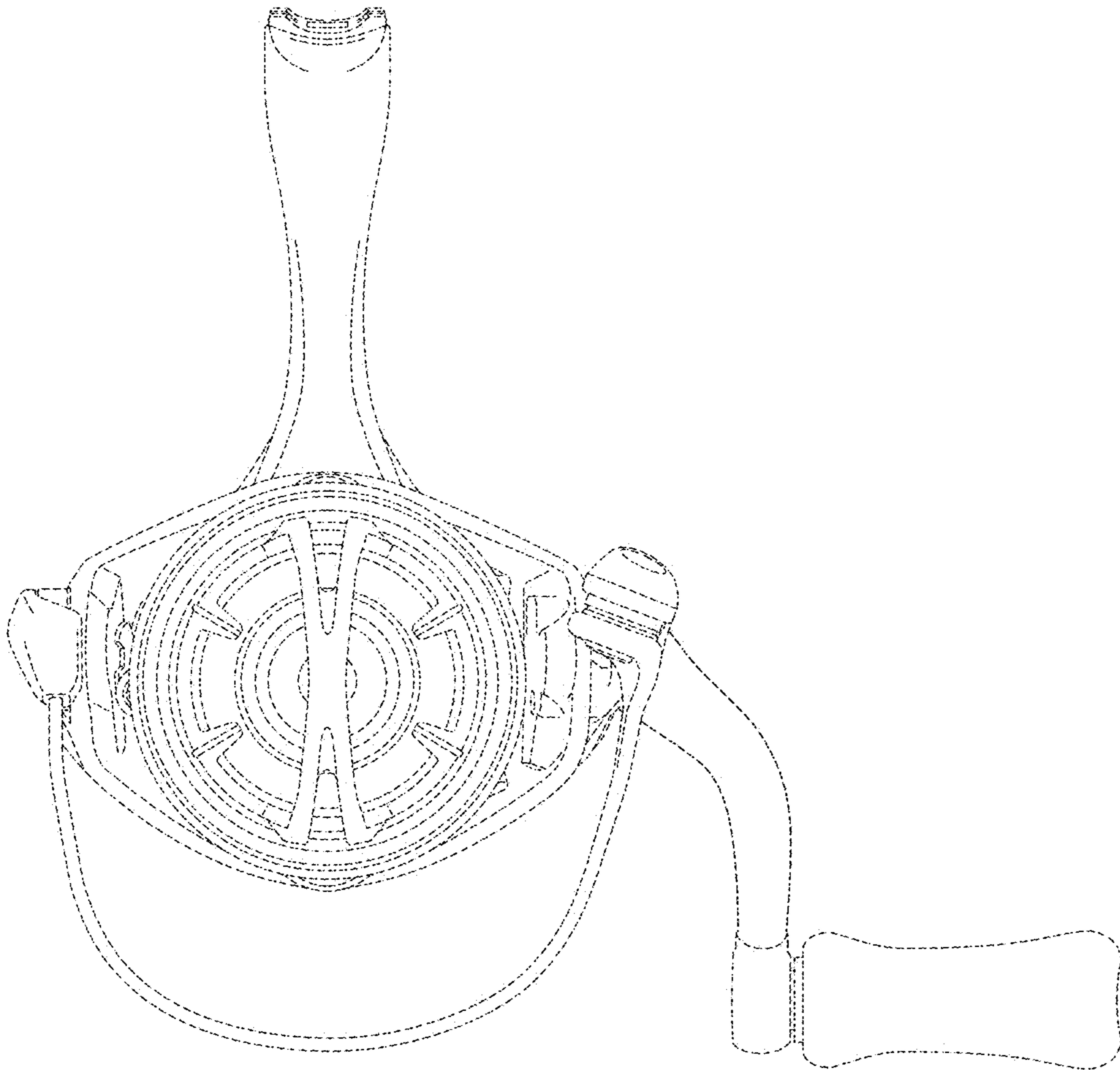


FIG. 7

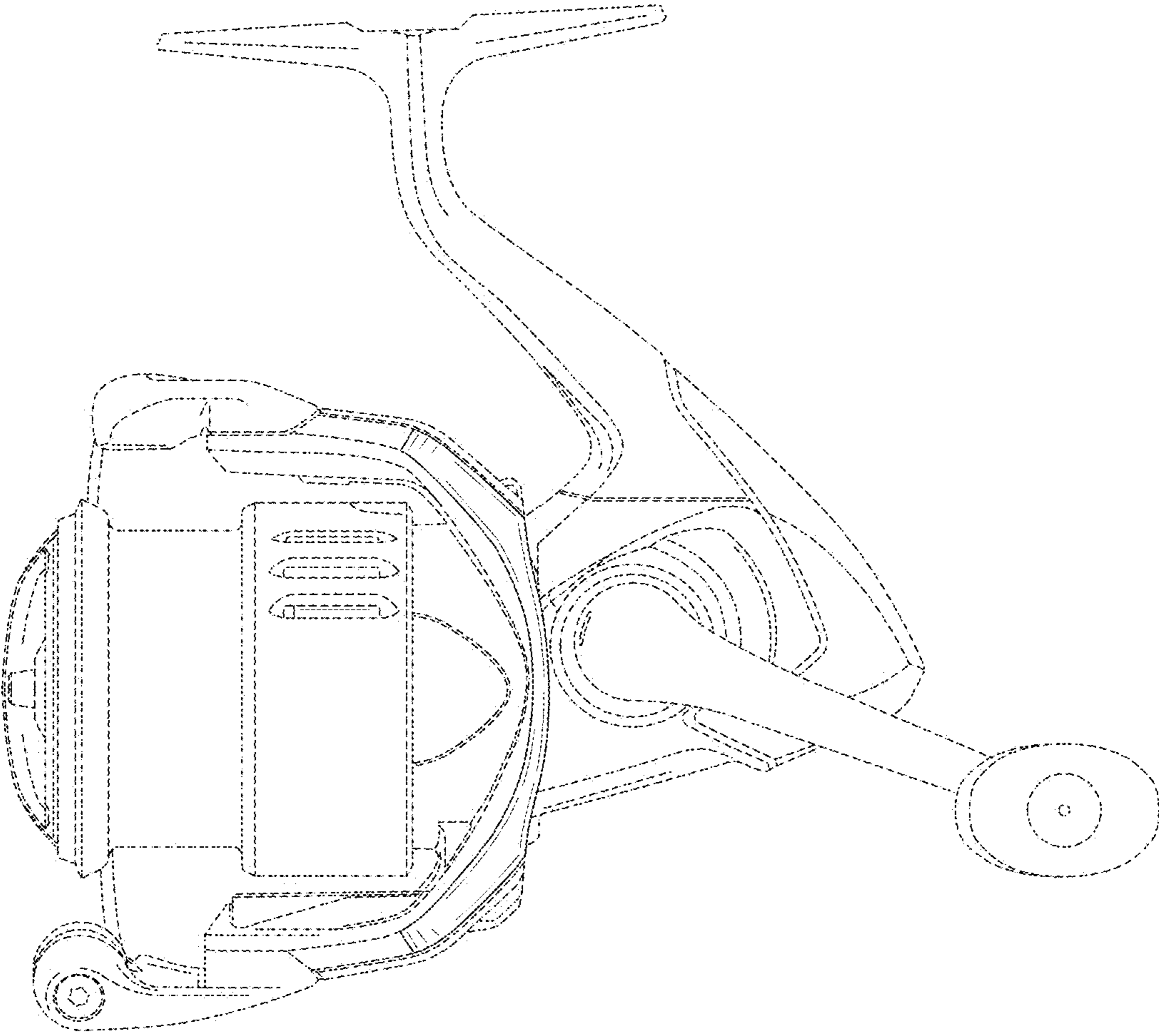


FIG. 8

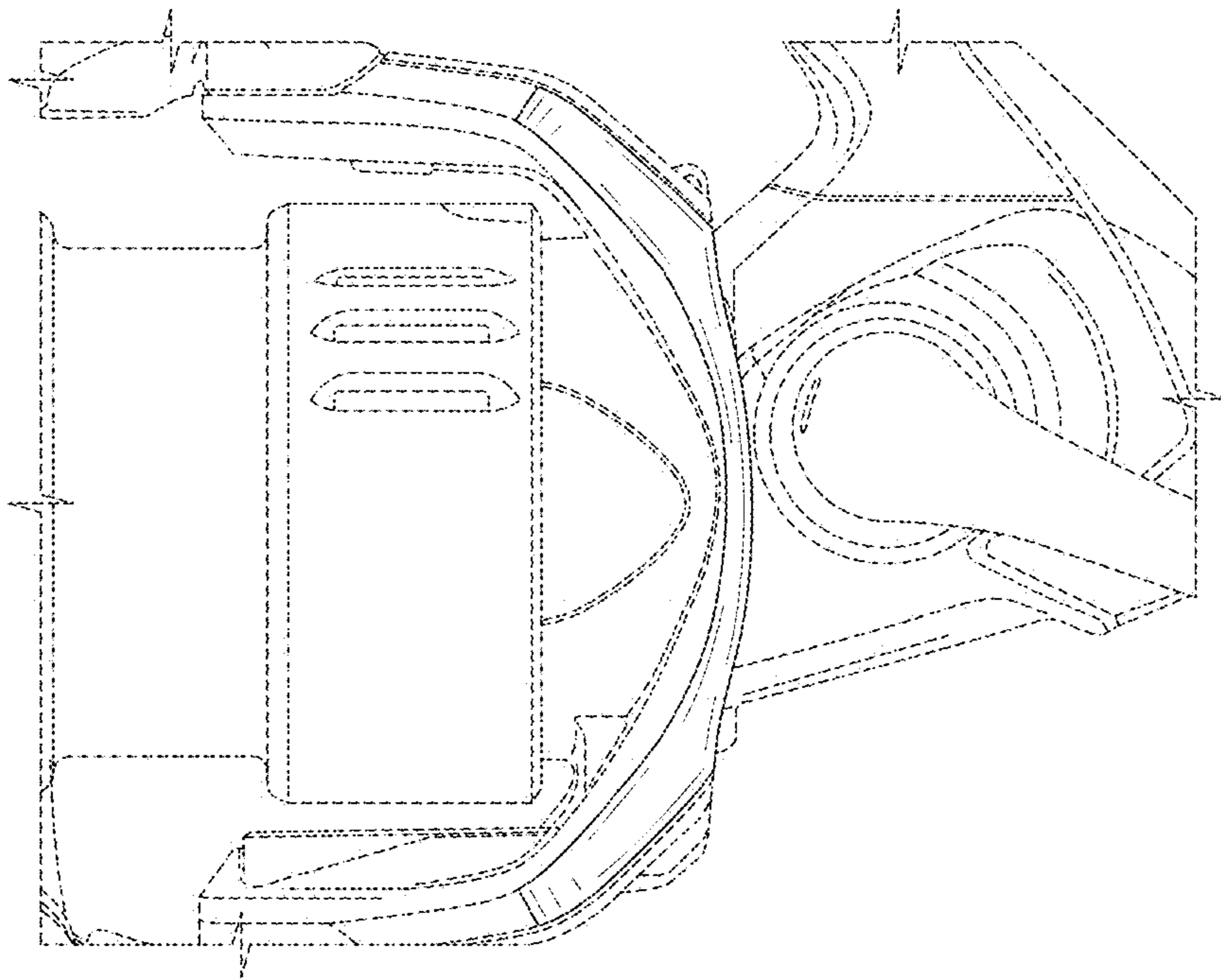


FIG. 9

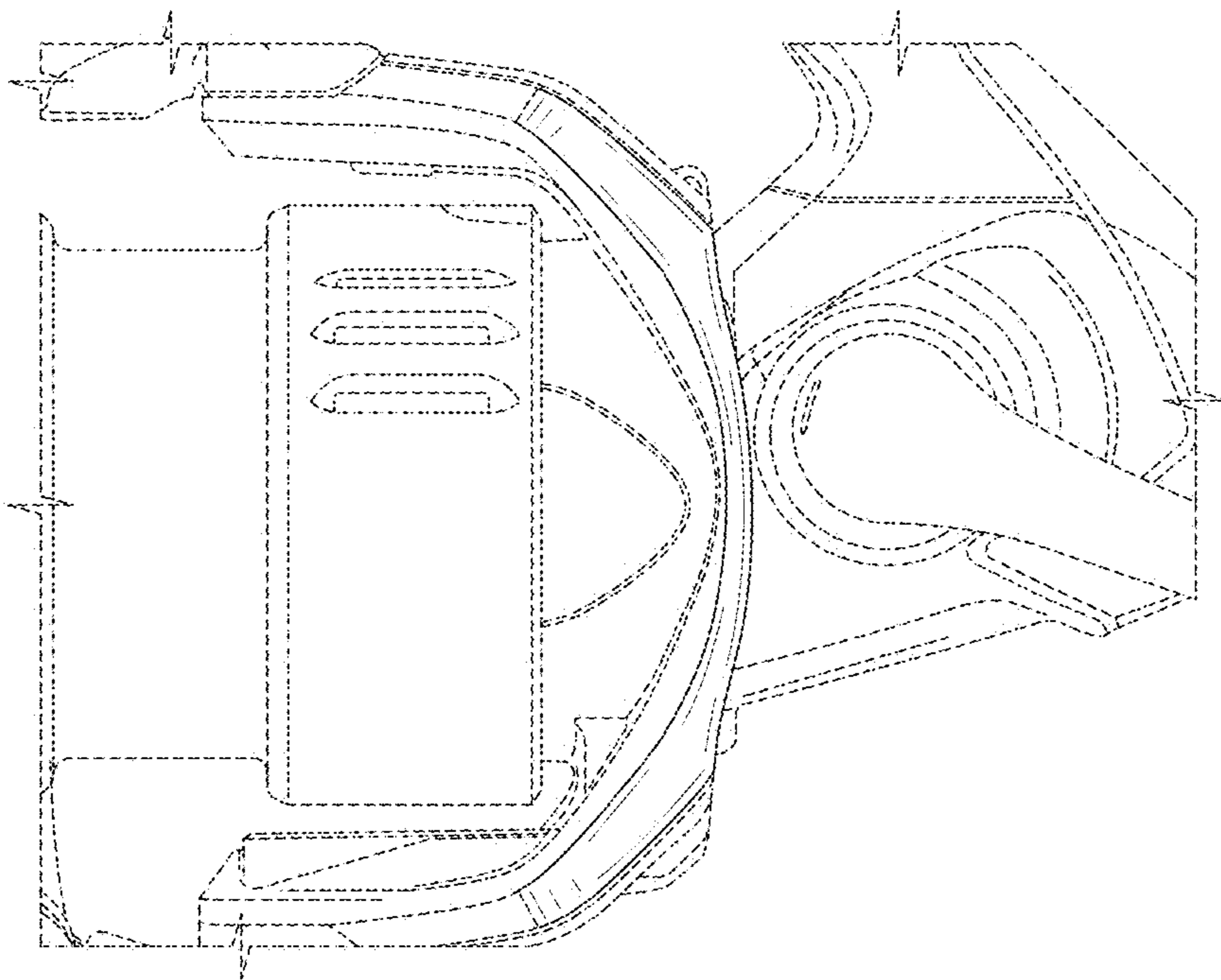


FIG. 10