



US00D767081S

(12) **United States Design Patent**  
**Hosono**

(10) **Patent No.:** **US D767,081 S**

(45) **Date of Patent:** **\*\* Sep. 20, 2016**

(54) **FISHING REEL**

(71) Applicant: **Shimano Inc.**, Sakai, Osaka (JP)

(72) Inventor: **Tomohiro Hosono**, Osaka (JP)

(73) Assignee: **Shimano Inc.**, Osaka (JP)

(\*\*) Term: **14 Years**

(21) Appl. No.: **29/524,518**

(22) Filed: **Apr. 21, 2015**

(30) **Foreign Application Priority Data**

Nov. 6, 2014 (JP) ..... 2014-024738

(51) **LOC (10) Cl.** ..... **22-05**

(52) **U.S. Cl.**  
USPC ..... **D22/140**

(58) **Field of Classification Search**  
USPC ..... D22/137-140; 43/20-24; 242/234-240,  
242/263, 279, 283, 310-312, 314, 316-317,  
242/319, 323

CPC ..... A01K 89/015; A01K 89/033  
See application file for complete search history.

(56) **References Cited**

**U.S. PATENT DOCUMENTS**

D367,515 S \* 2/1996 Robbins ..... D22/140  
D468,795 S 1/2003 Kondo et al.  
D502,754 S \* 3/2005 Tao ..... D22/140

D565,691 S \* 4/2008 Young ..... D22/140  
D586,422 S \* 2/2009 Kobayashi ..... D22/140  
D593,637 S \* 6/2009 Kobayashi ..... D22/140

\* cited by examiner

*Primary Examiner* — Catheri Oliver-Garcia

(74) *Attorney, Agent, or Firm* — Global IP Counselors

(57) **CLAIM**

The ornamental design for fishing reel, as shown and described.

**DESCRIPTION**

FIG. 1 is a first perspective view of a fishing reel in accordance with my new design;

FIG. 2 is a second perspective view of the fishing reel illustrated in FIG. 1;

FIG. 3 is a third perspective view of the fishing reel illustrated in FIG. 1;

FIG. 4 is a first end elevational view of the fishing reel illustrated in FIG. 1;

FIG. 5 is a second end elevational view of the fishing reel illustrated in FIG. 1;

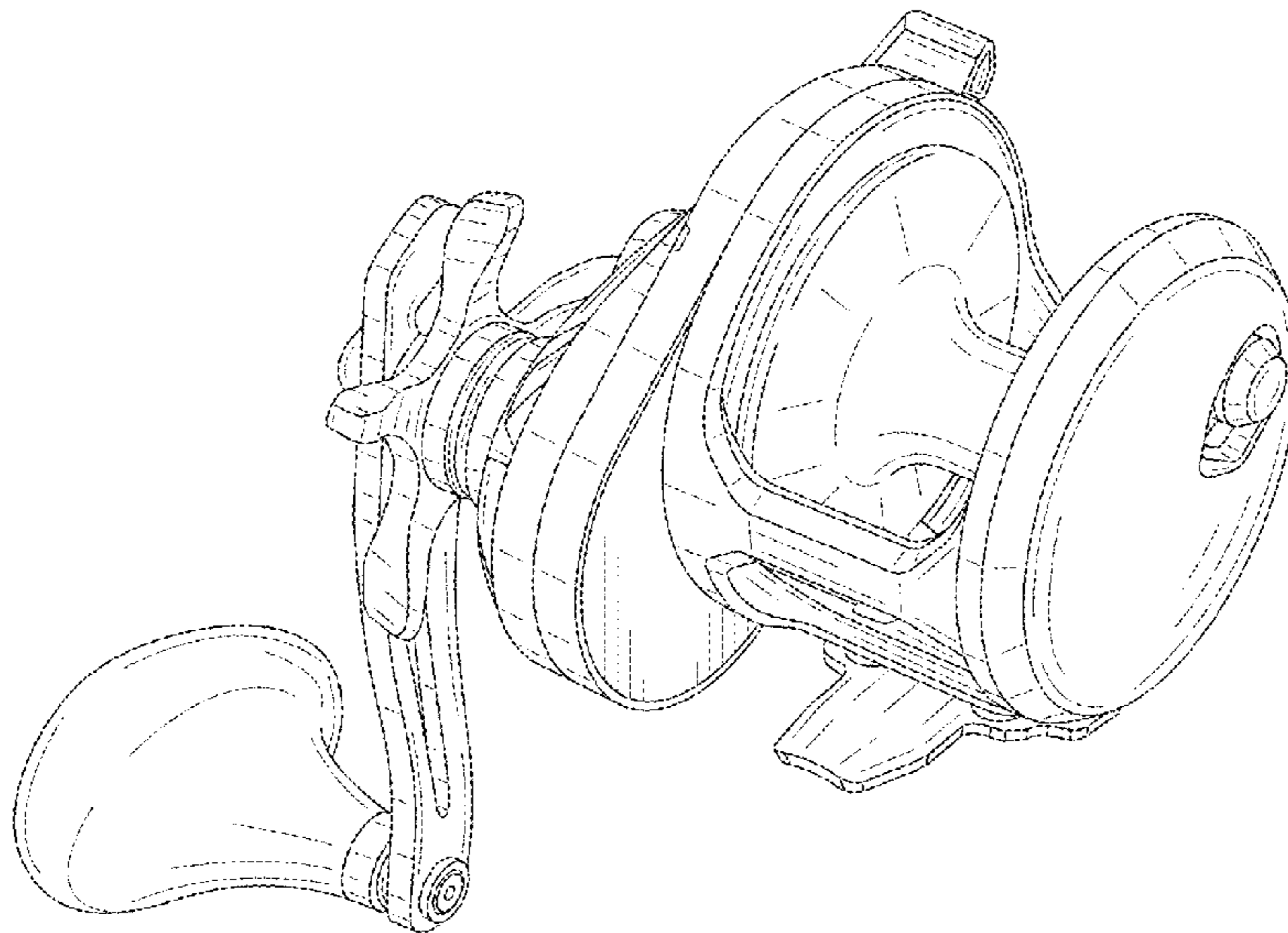
FIG. 6 is a top plan view of the fishing reel illustrated in FIG. 1;

FIG. 7 is a bottom plan view of the fishing reel illustrated in FIG. 1;

FIG. 8 is a first side elevational view of the fishing reel illustrated in FIG. 1; and,

FIG. 9 is a second side elevational view of the fishing reel illustrated in FIG. 1.

**1 Claim, 5 Drawing Sheets**



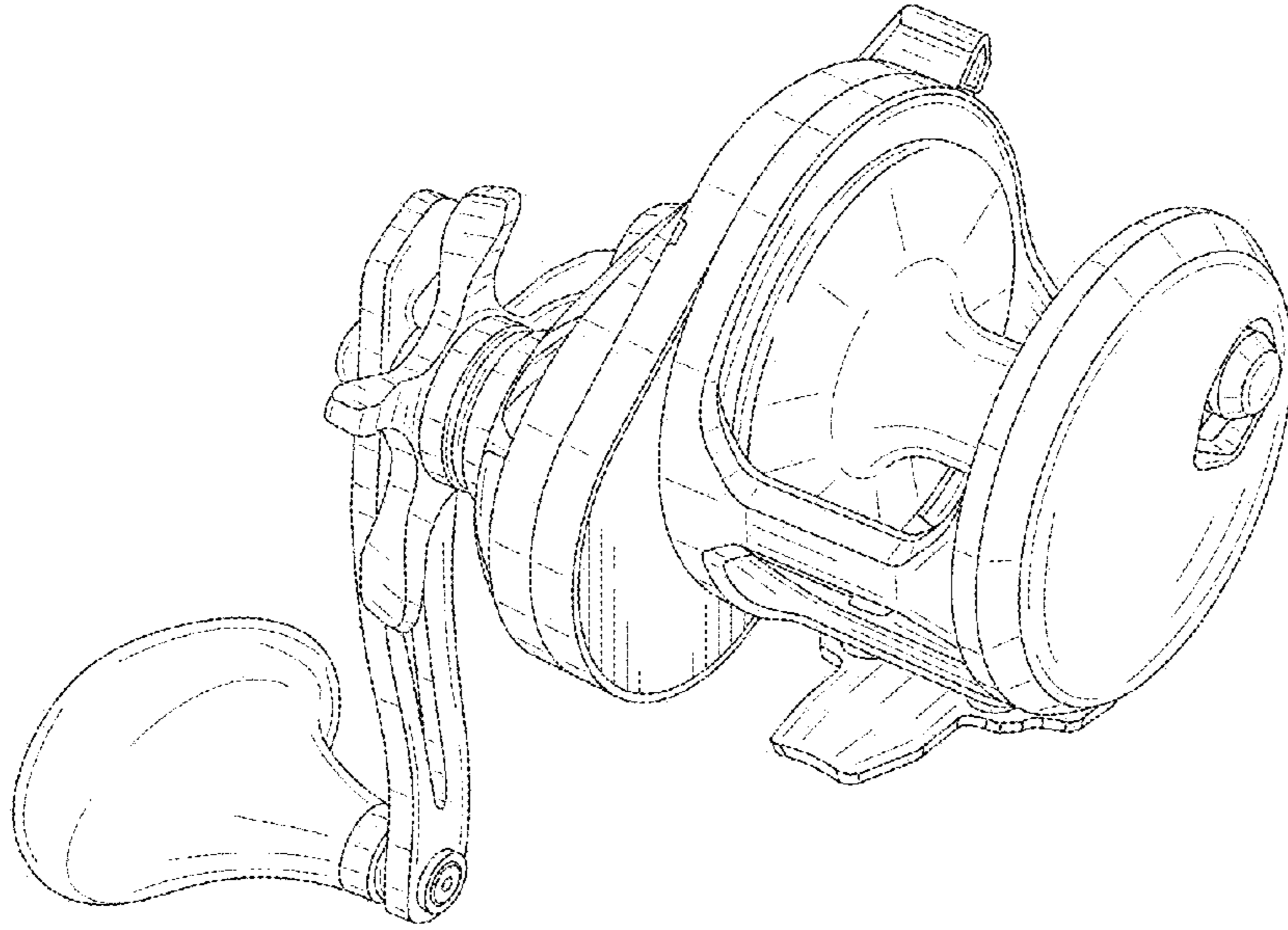


FIG. 1

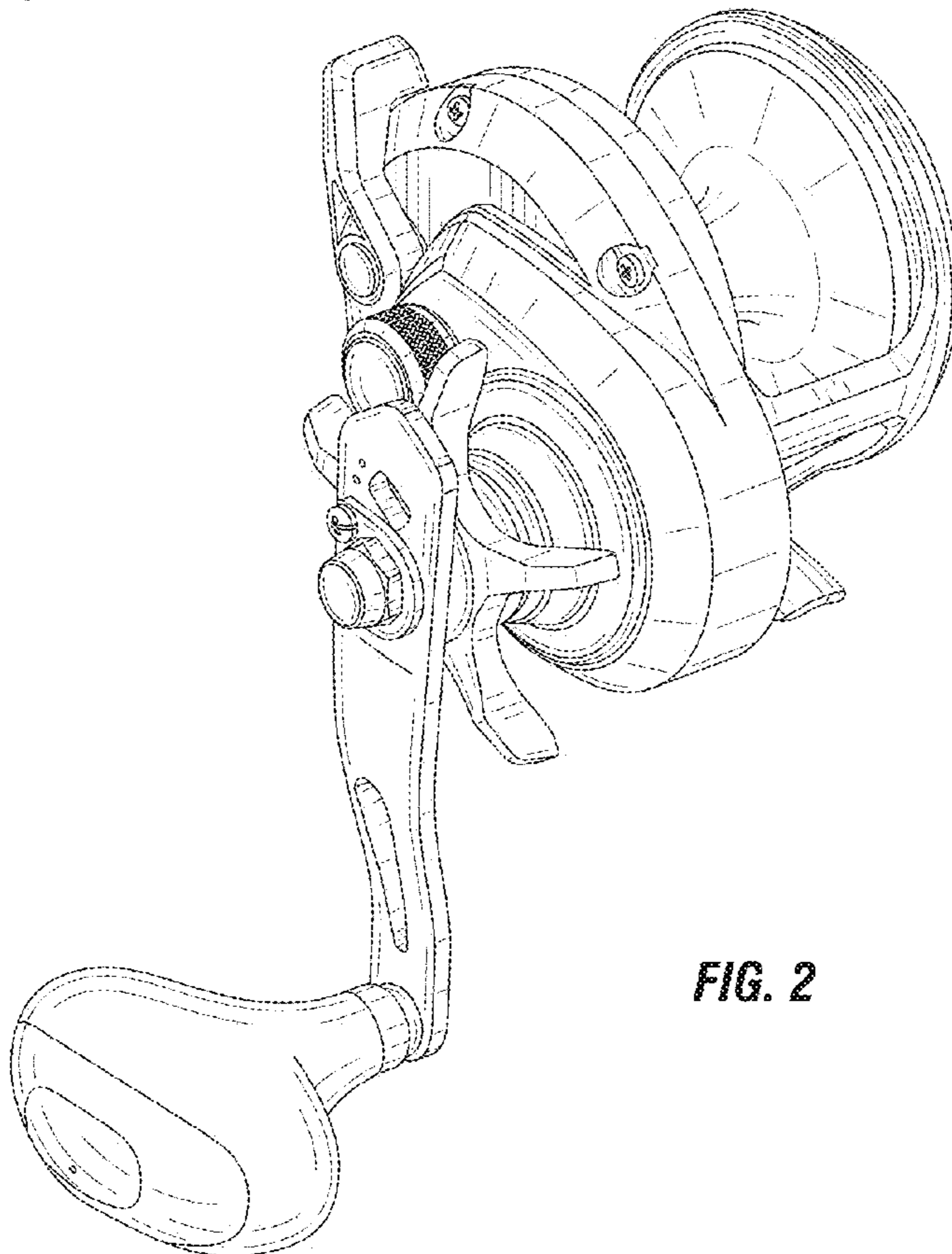
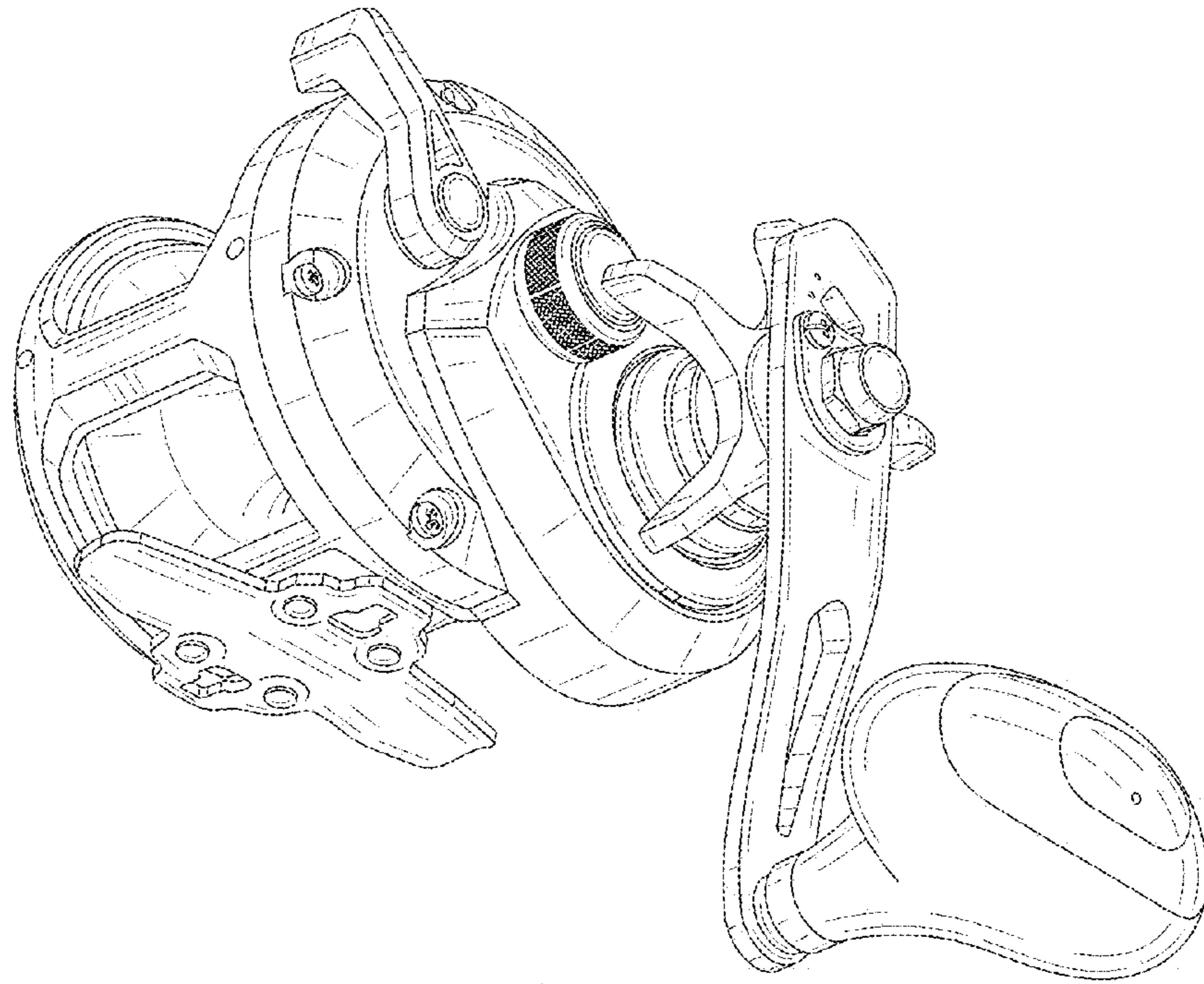
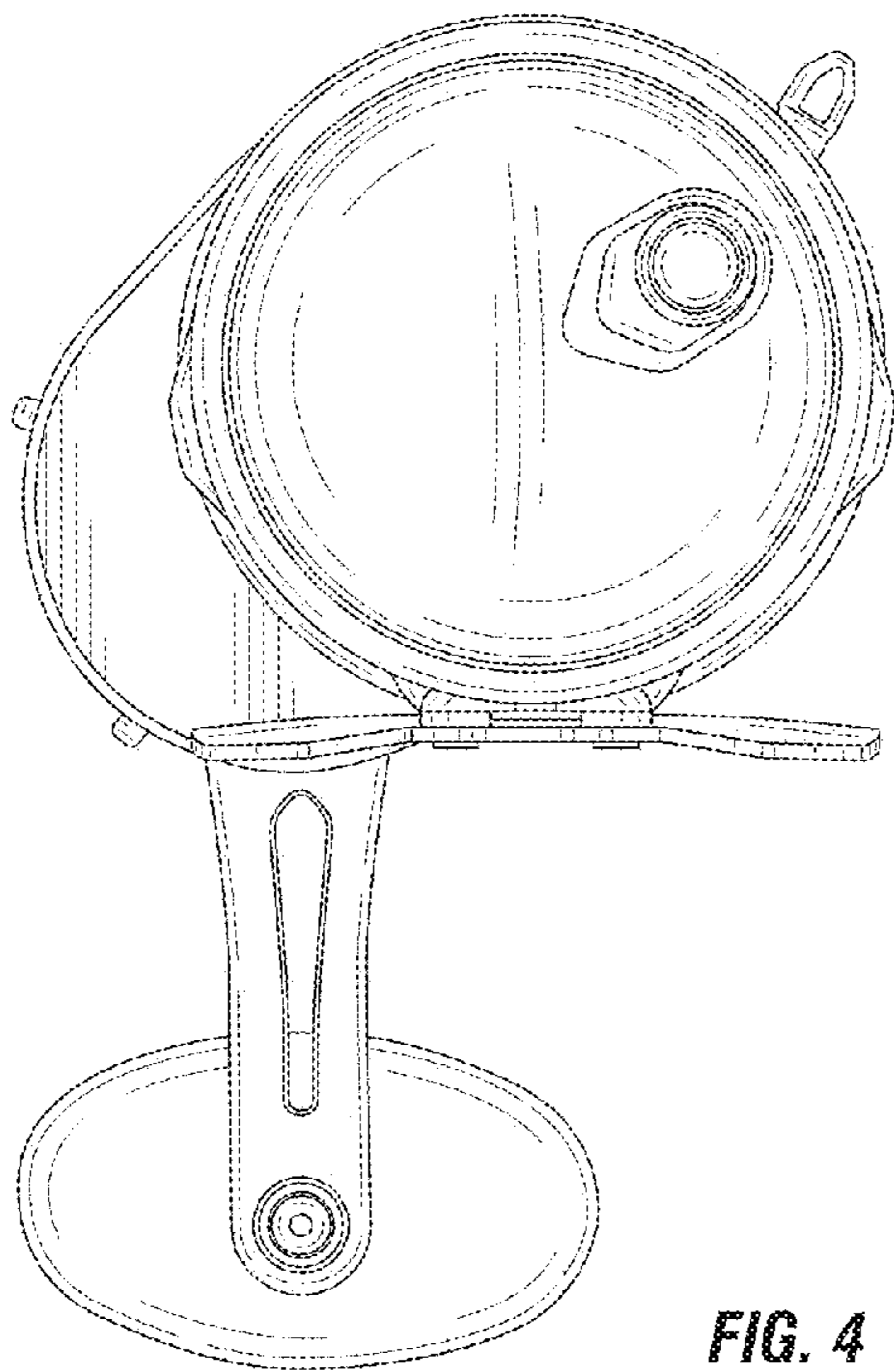


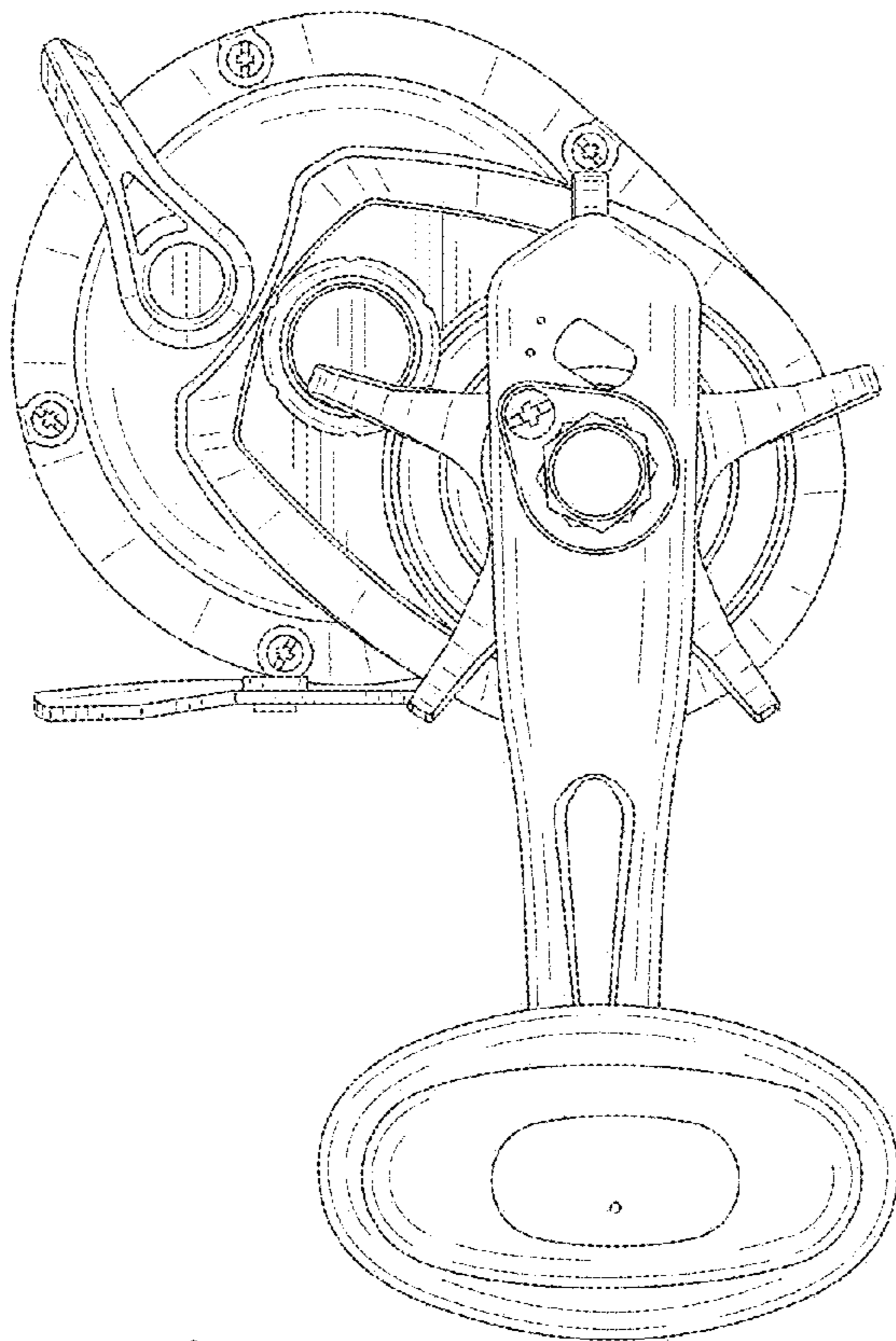
FIG. 2



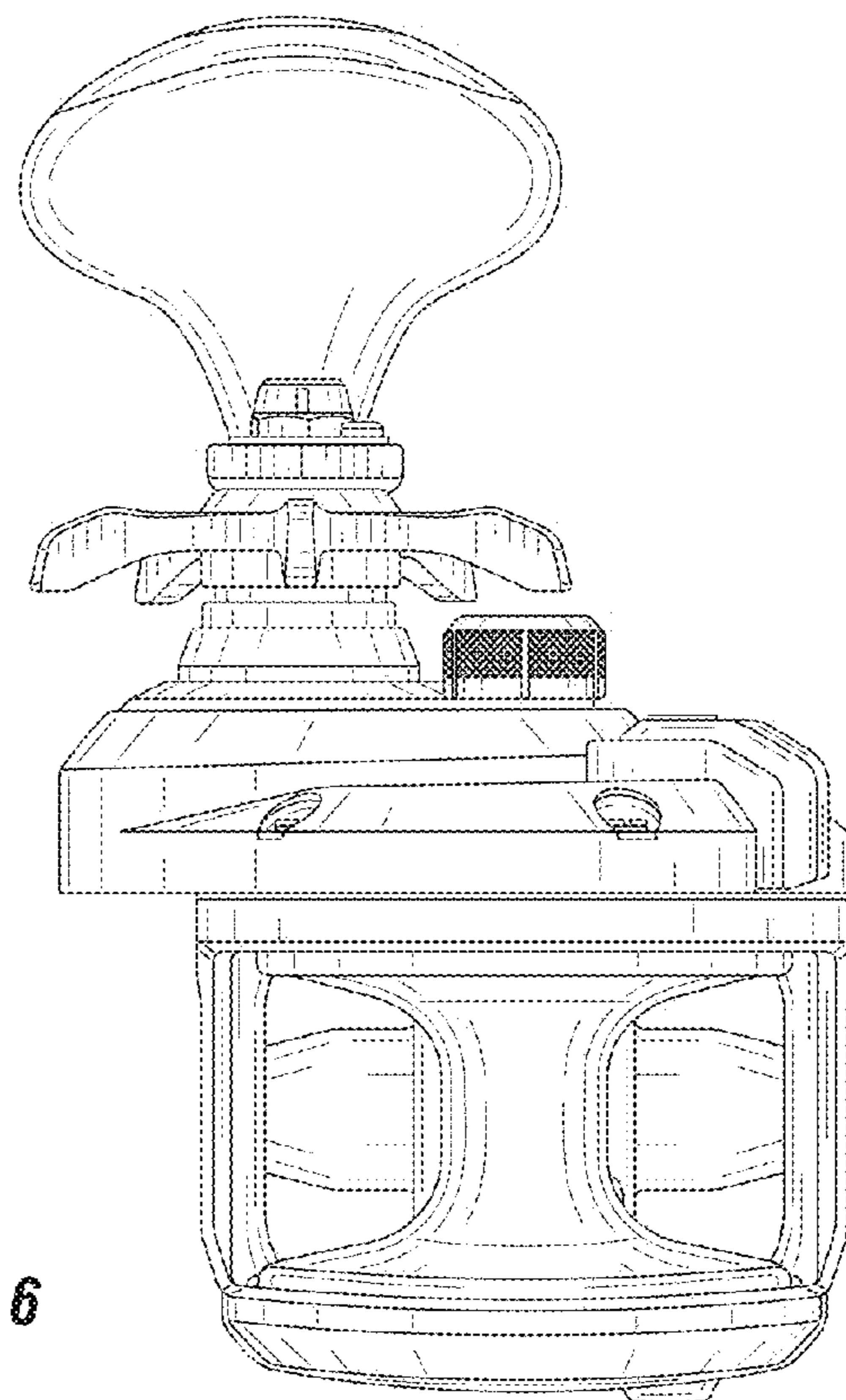
**FIG. 3**



**FIG. 4**



**FIG. 5**



**FIG. 6**

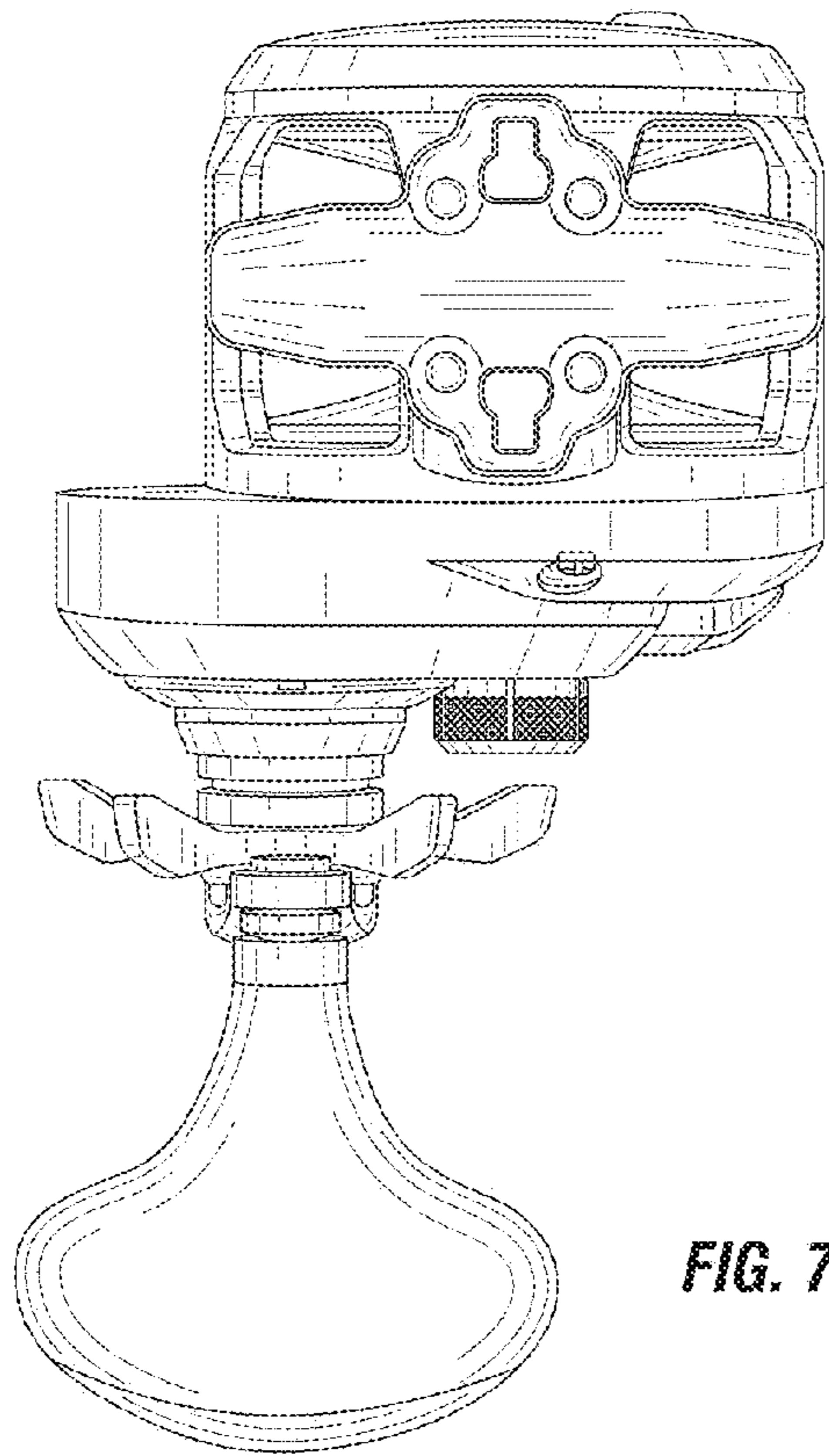


FIG. 7

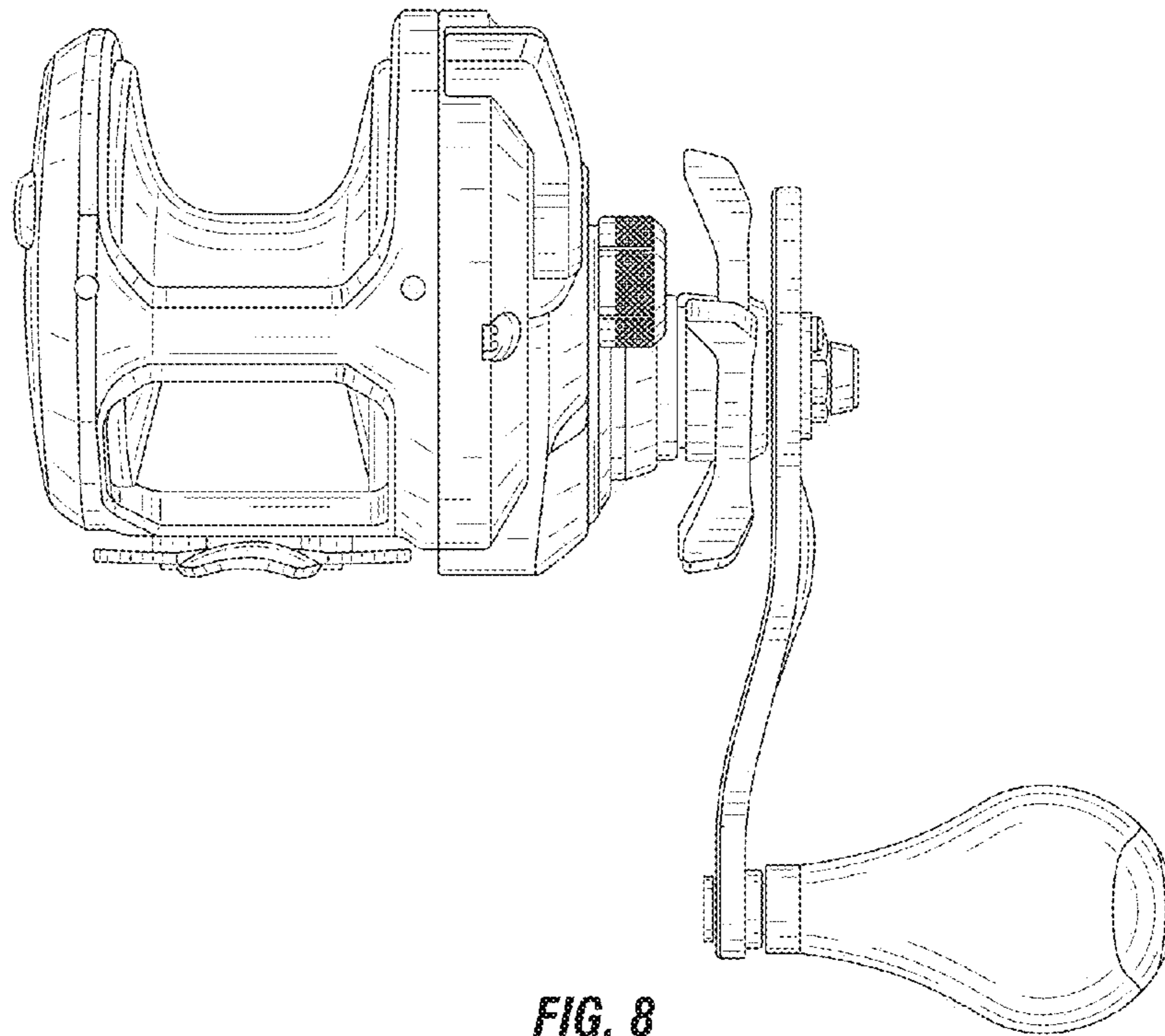
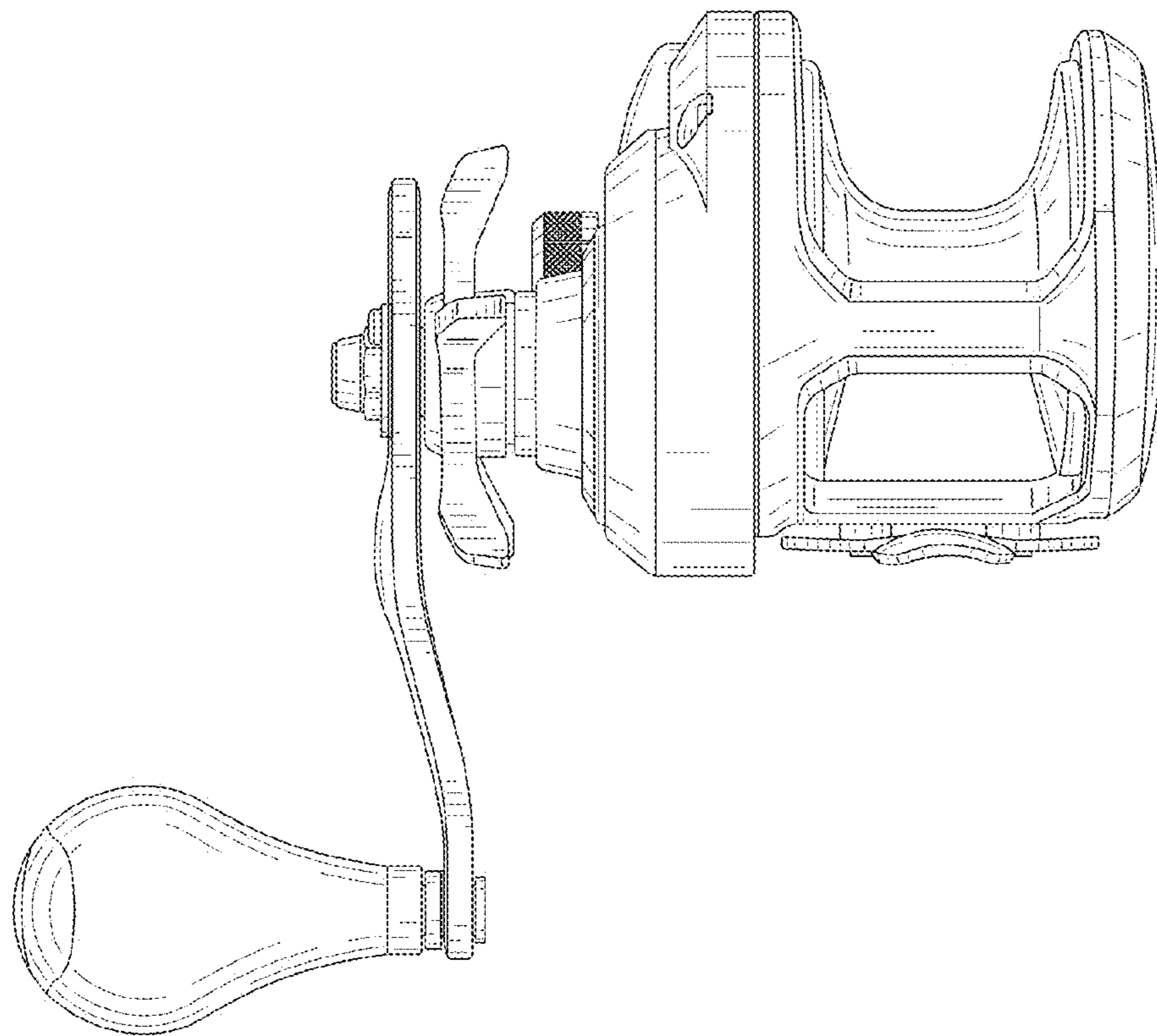


FIG. 8



**FIG. 9**