



US00D767078S

(12) **United States Design Patent**  
**Hannan**

(10) **Patent No.:** **US D767,078 S**

(45) **Date of Patent:** **\*\* Sep. 20, 2016**

(54) **TACTICAL KNIFE**

(71) Applicant: **Oliver A Hannan**, Idaho Falls, ID (US)

(72) Inventor: **Oliver A Hannan**, Idaho Falls, ID (US)

(\*\*) Term: **14 Years**

(21) Appl. No.: **29/518,536**

(22) Filed: **Feb. 25, 2015**

(51) **LOC (10) Cl.** ..... **22-02**

(52) **U.S. Cl.**  
USPC ..... **D22/118**

(58) **Field of Classification Search**  
USPC ..... D22/118; D7/649-651; D8/98-100,  
D8/105, 107; 30/151, 295, 340, 131, 346,  
30/353, 159-160  
CPC ..... B25B 1/22; B26B 1/00; B26B 1/04;  
B26B 1/10; B26B 1/048; B26B 3/00; B26B  
3/06; B26B 29/02; B25G 3/32  
See application file for complete search history.

(56) **References Cited**

**U.S. PATENT DOCUMENTS**

D595,557 S \* 7/2009 Hawk ..... D8/99  
D657,435 S 4/2012 Wilke

D672,842 S \* 12/2012 Pelton ..... D22/118  
D679,152 S 4/2013 deBretton Gordon  
D755,343 S \* 5/2016 Freeman ..... D22/118

\* cited by examiner

*Primary Examiner* — Catheri Oliver-Garcia  
(74) *Attorney, Agent, or Firm* — John Chandler

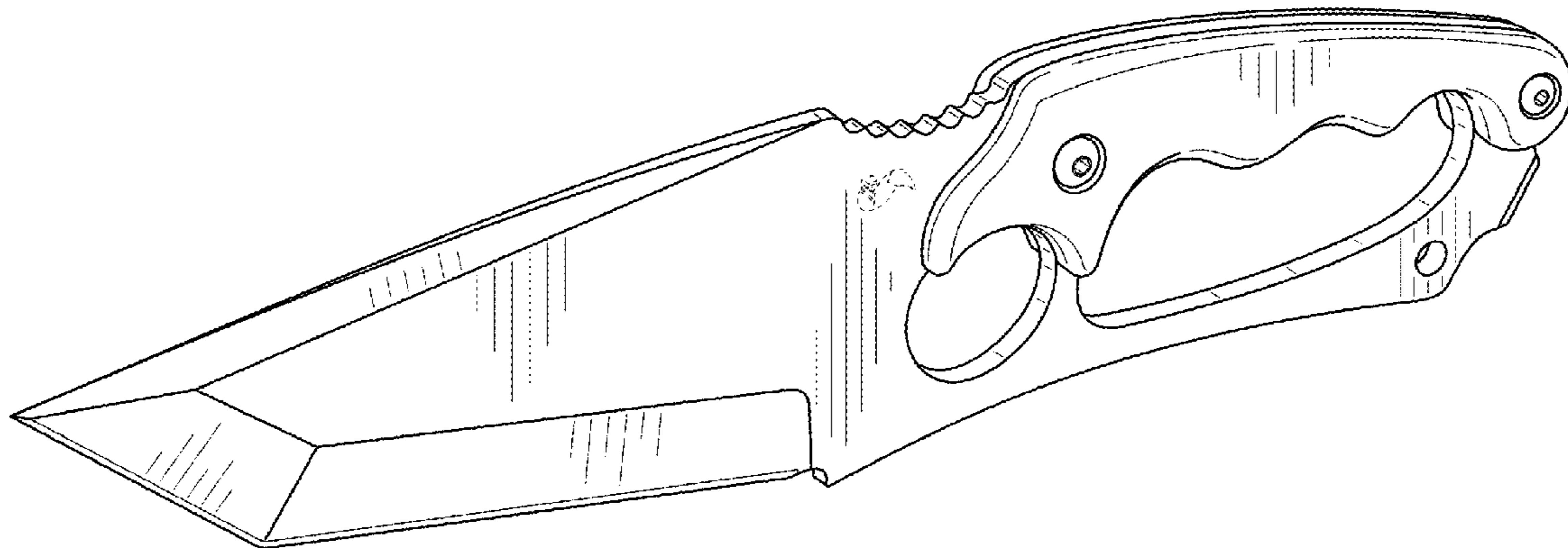
(57) **CLAIM**

I claim the ornamental design for a tactical knife, as shown and described.

**DESCRIPTION**

FIG. 1 is a perspective view of the tactical knife;  
FIG. 2 is a side view of the tactical knife;  
FIG. 3 is a side view of the tactical knife;  
FIG. 4 is a top view of the tactical knife;  
FIG. 5 is a bottom view of the tactical knife;  
FIG. 6 is a front view of the tactical knife; and,  
FIG. 7 is a rear view of the tactical knife.  
Any broken lines in the figures depict environment and are for illustrative purposes only and form no part of the claimed design.

**1 Claim, 4 Drawing Sheets**



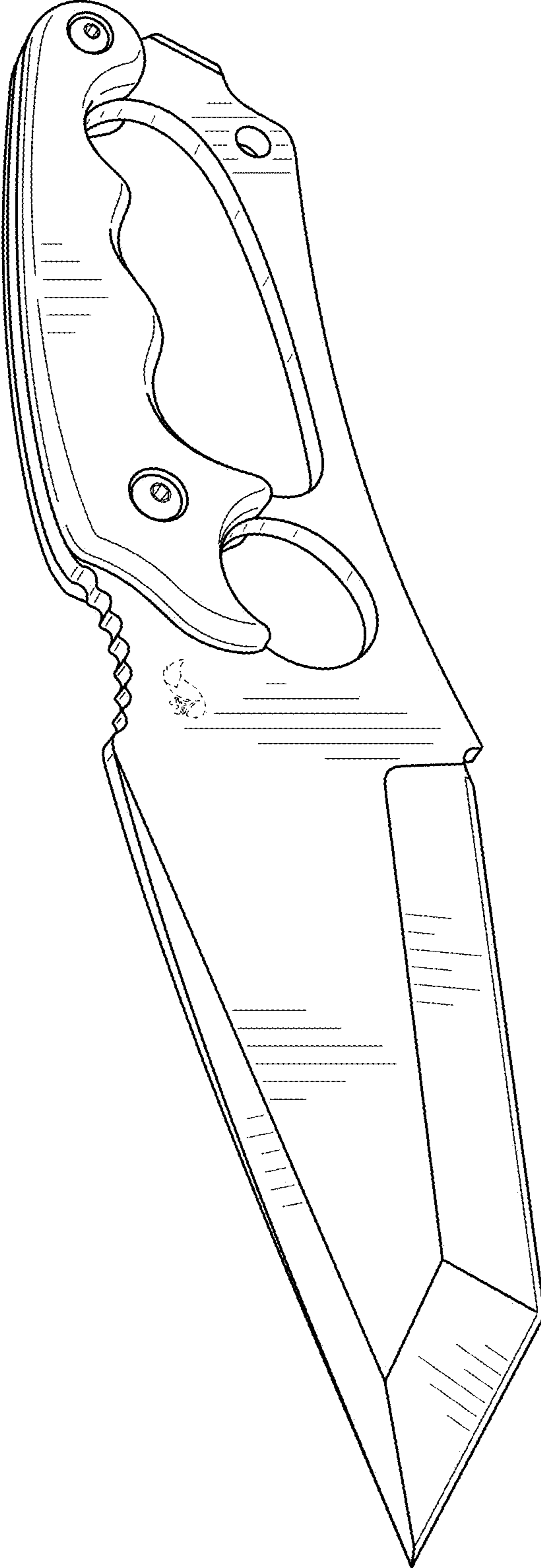


FIG. 1

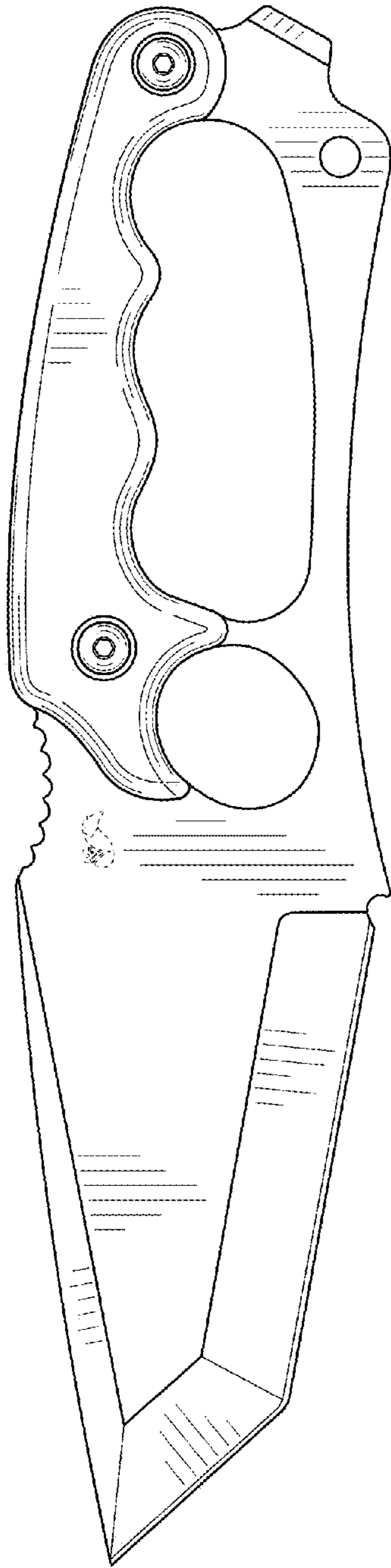


FIG. 2

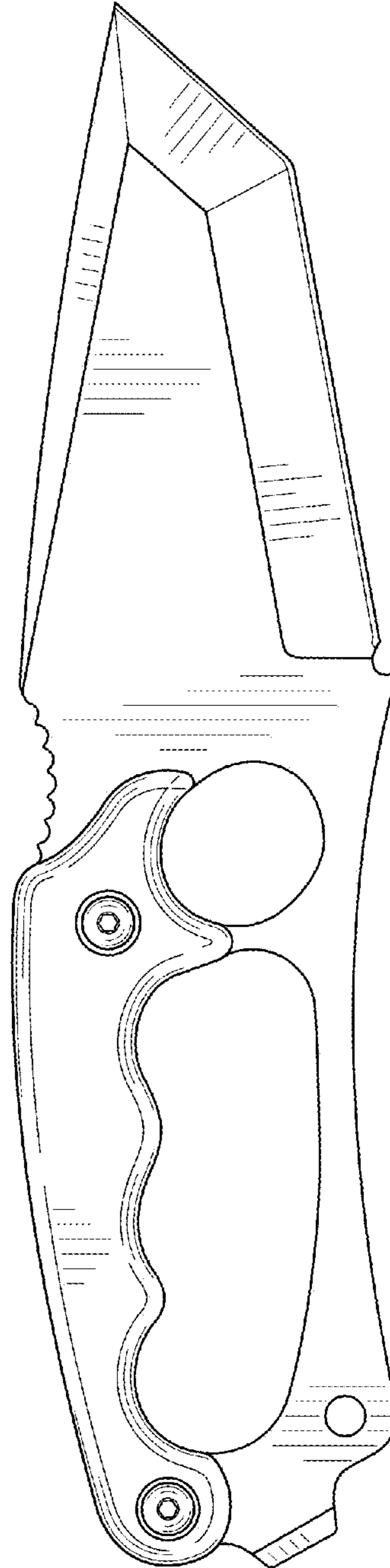


FIG. 3

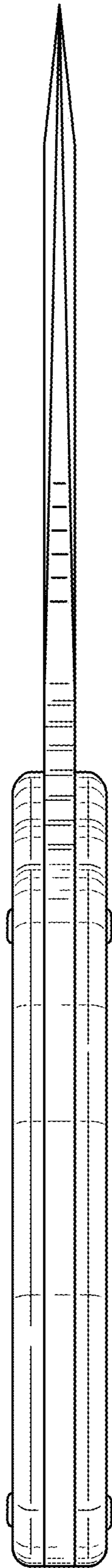


FIG. 4

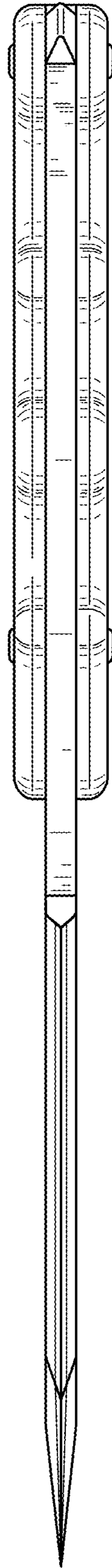


FIG. 5

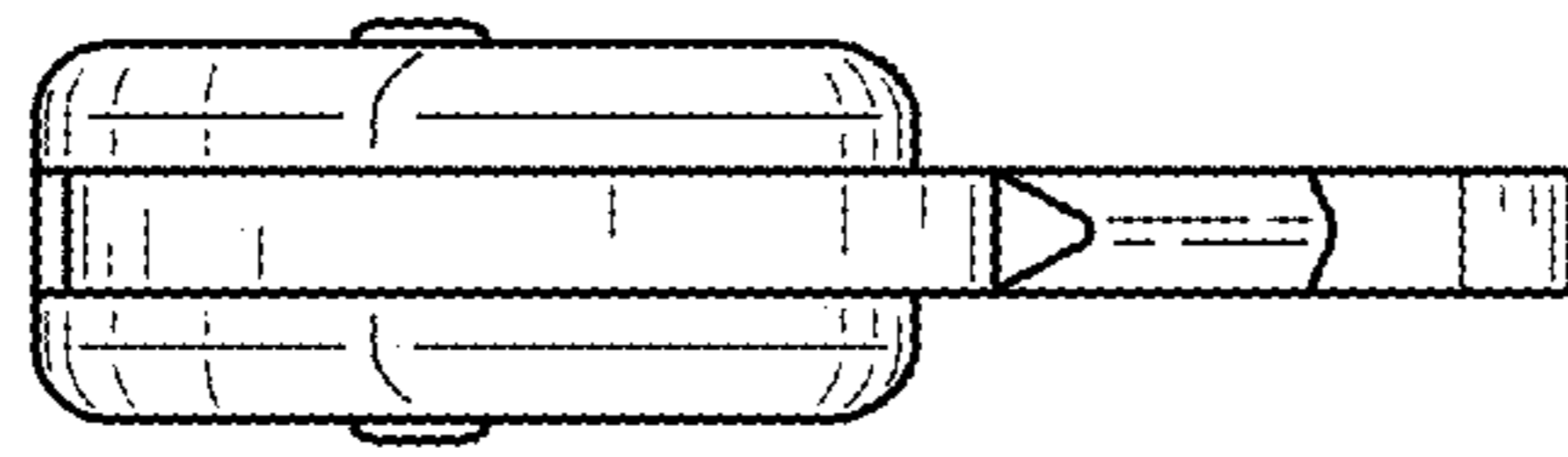


FIG. 7

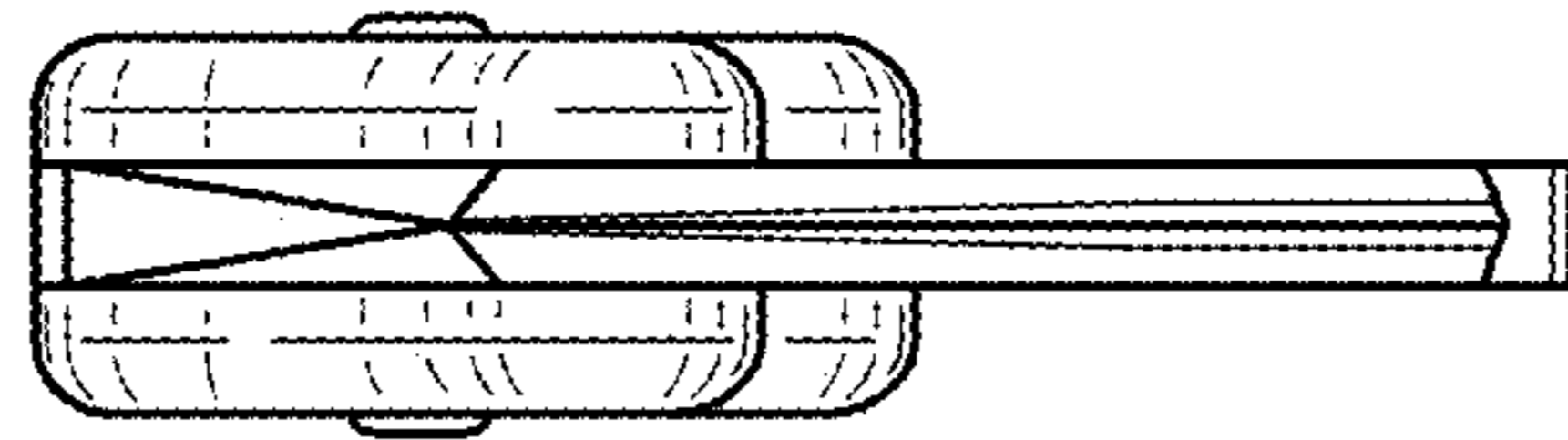


FIG. 6