



US00D767076S

(12) **United States Design Patent** (10) **Patent No.:** **US D767,076 S**  
**Bebee** (45) **Date of Patent:** **\*\* Sep. 20, 2016**

(54) **MUZZLE BRAKE**  
(71) Applicant: **H & H Tool Shop, LLC**, Gallatin, TN (US)  
(72) Inventor: **Joseph Ladon Bebee**, Gallatin, TN (US)  
(73) Assignee: **H & H Tool Shop, LLC**, Gallatin, TN (US)

(\*\*) Term: **14 Years**  
(21) Appl. No.: **29/526,288**

(22) Filed: **May 7, 2015**  
(51) **LOC (10) Cl.** ..... **22-01**  
(52) **U.S. Cl.**  
USPC ..... **D22/108**  
(58) **Field of Classification Search**  
USPC ..... D22/103, 108; D21/572-575  
CPC ..... F41A 21/34; F41A 21/325; F41A 21/32;  
F41A 21/28  
See application file for complete search history.

(56) **References Cited**  
U.S. PATENT DOCUMENTS  
2,656,637 A \* 10/1953 Richards ..... F41A 21/42  
42/79  
D417,252 S \* 11/1999 Kay ..... D22/100  
D605,724 S 12/2009 Heath  
8,061,254 B2 \* 11/2011 Heath ..... F41A 21/34  
89/14.2  
D666,687 S \* 9/2012 Nierenberg ..... D22/108  
8,418,803 B2 \* 4/2013 Findlay ..... F41A 21/30  
181/223

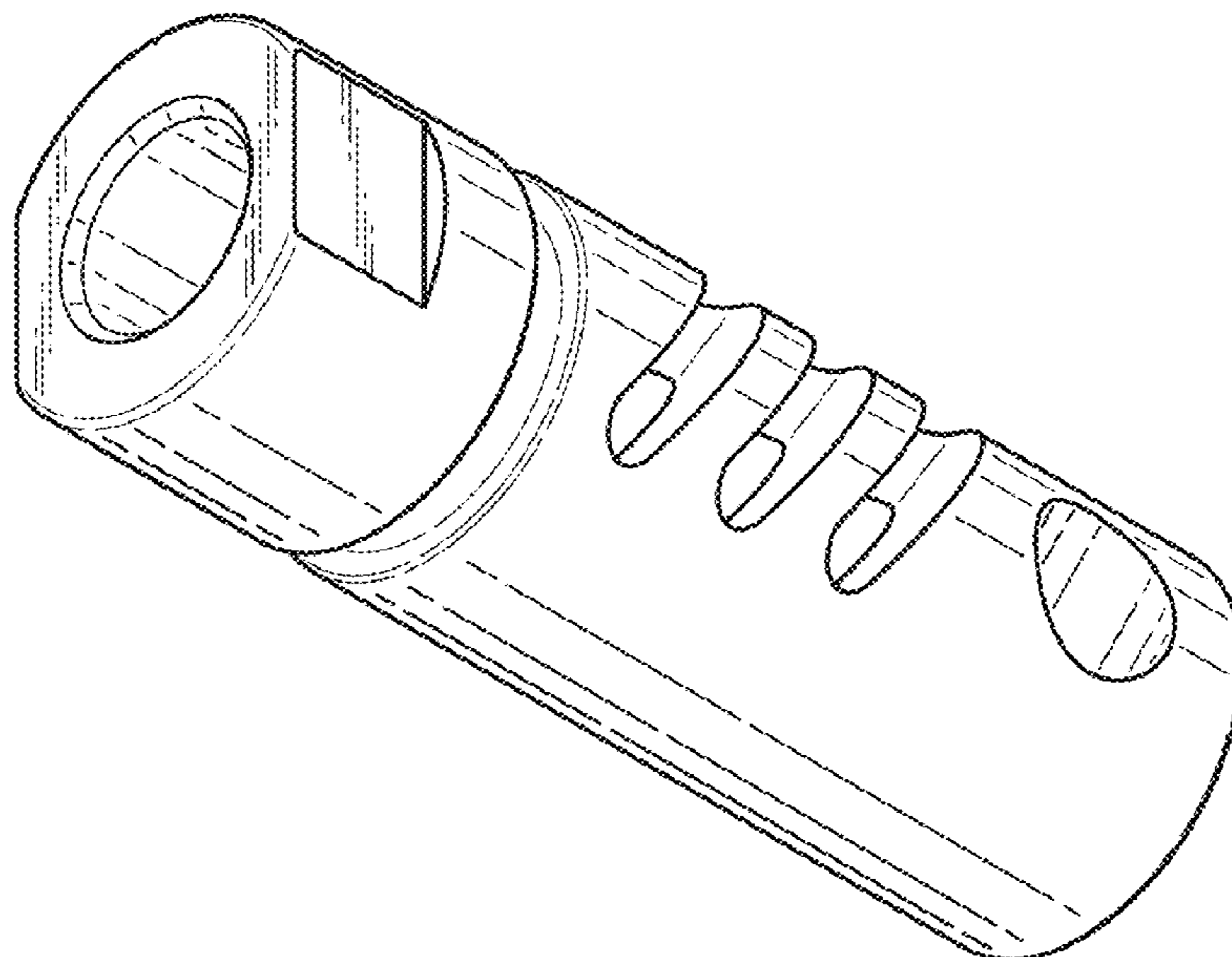
D682,384 S \* 5/2013 Jaureguizar ..... D22/108  
D692,086 S \* 10/2013 Nierenberg ..... D22/108  
D694,355 S 11/2013 Hormann  
D711,491 S \* 8/2014 Nierenberg ..... D22/108  
D720,031 S \* 12/2014 Buffoni ..... D22/108  
D729,894 S \* 5/2015 DeLuca ..... D22/108  
2010/0229713 A1 \* 9/2010 Heath ..... F41A 21/34  
89/14.2  
2011/0271575 A1 \* 11/2011 Overbeek Bloem . F41A 21/325  
42/90

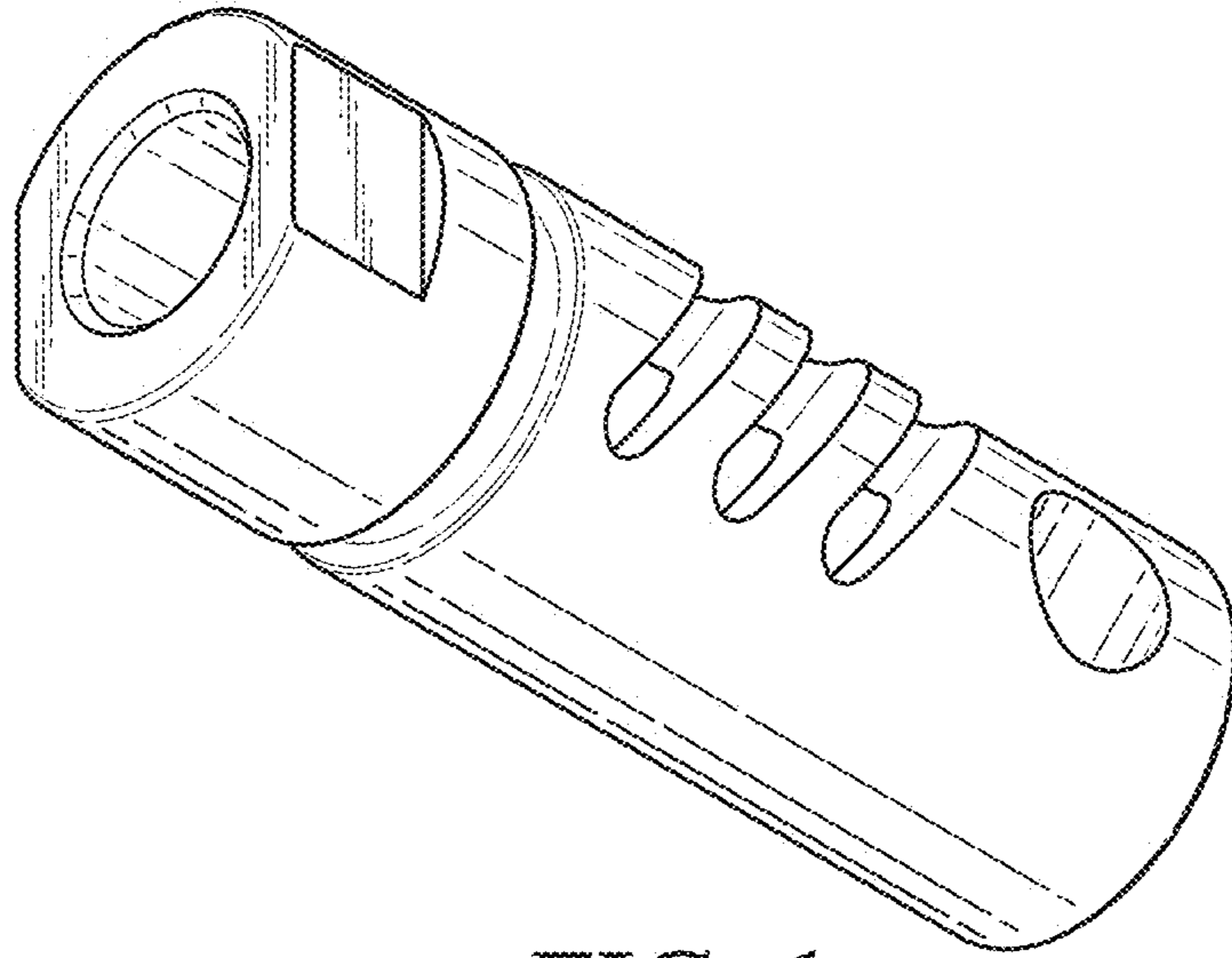
\* cited by examiner  
*Primary Examiner* — Michael A Pratt  
(74) *Attorney, Agent, or Firm* — Eric B. Fugett; Waller Lansden Dortch & Davis, LLP

(57) **CLAIM**  
The ornamental design for a muzzle brake, as shown and described.

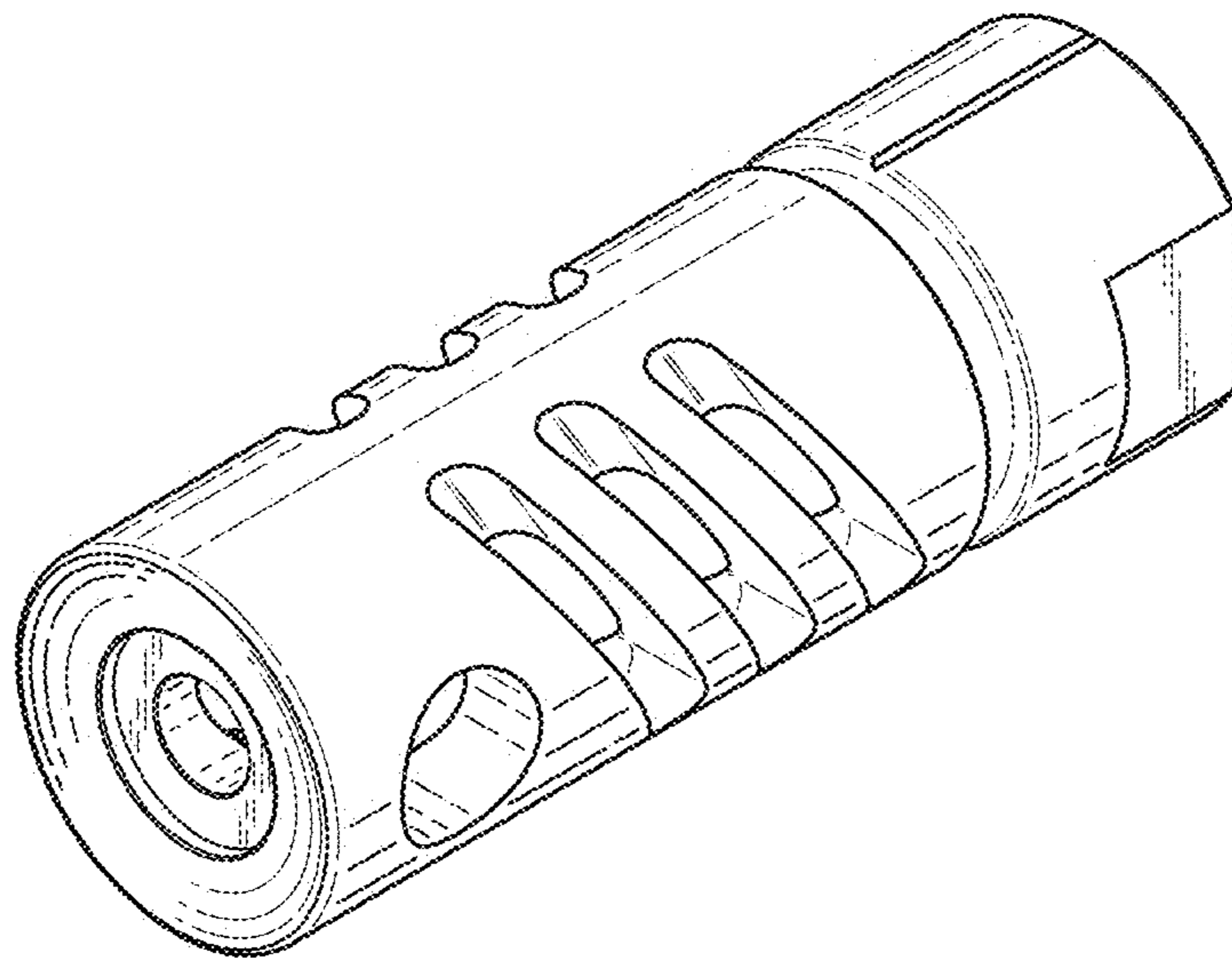
**DESCRIPTION**  
FIG. 1 is a rear perspective view of a muzzle break showing my new design;  
FIG. 2 is a front perspective view thereof;  
FIG. 3 is top plan view thereof;  
FIG. 4 is a side elevational view thereof;  
FIG. 5 is a rear elevational view thereof;  
FIG. 6 is a front elevational view thereof;  
FIG. 7 is a bottom plan view thereof; and,  
FIG. 8 is another side elevational view thereof, shown rotated 180 degrees from the position shown in FIG. 4.  
The broken lines in FIG. 5 depict portions of the muzzle brake that form no part of the claimed design.

**1 Claim, 2 Drawing Sheets**

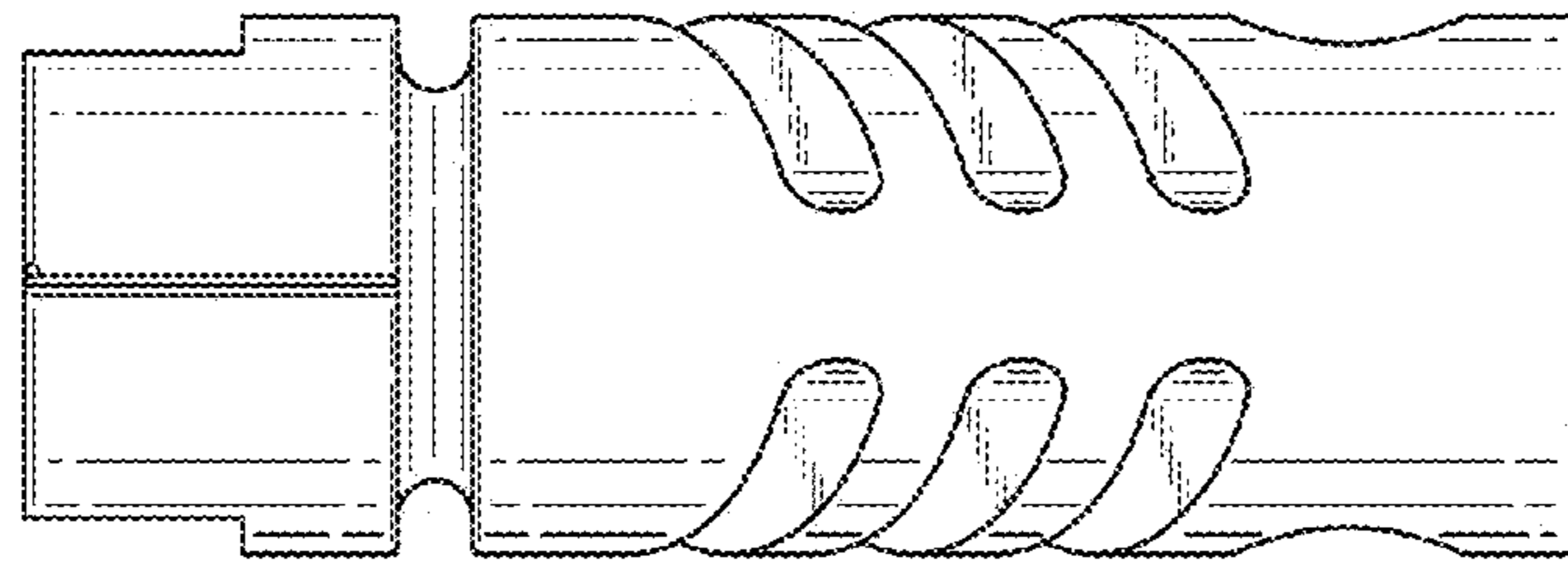




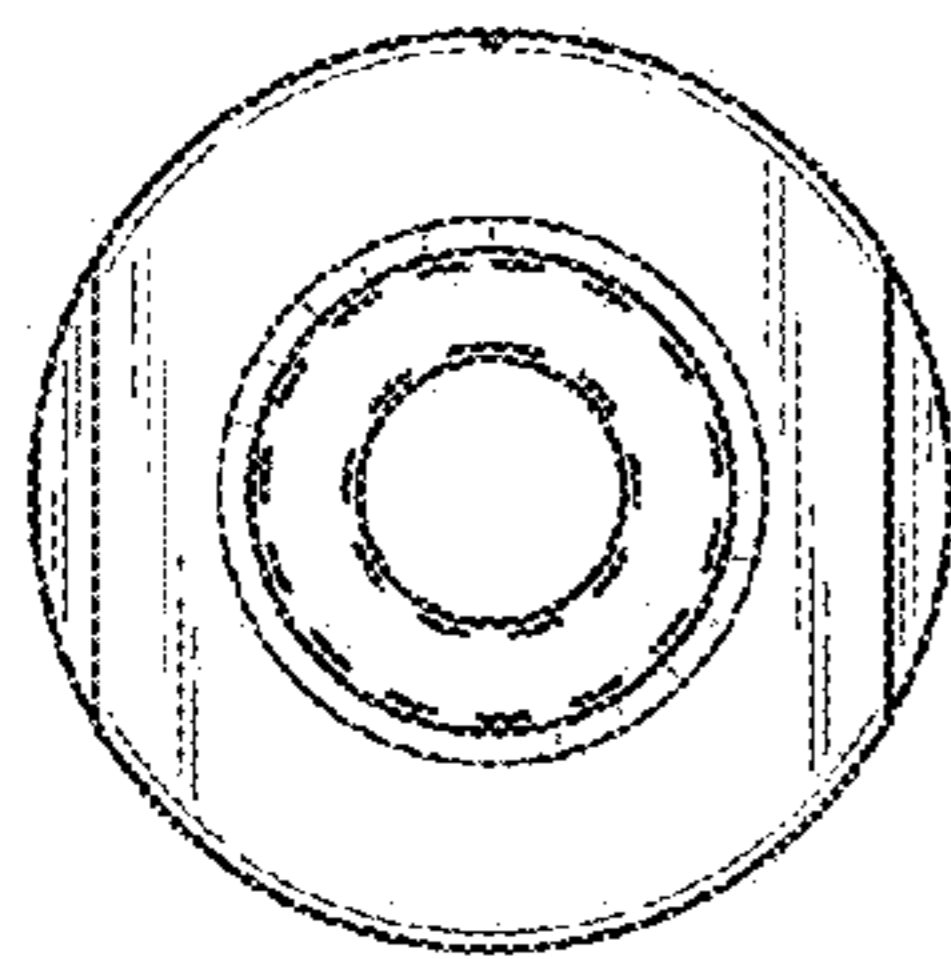
*FIG. 1*



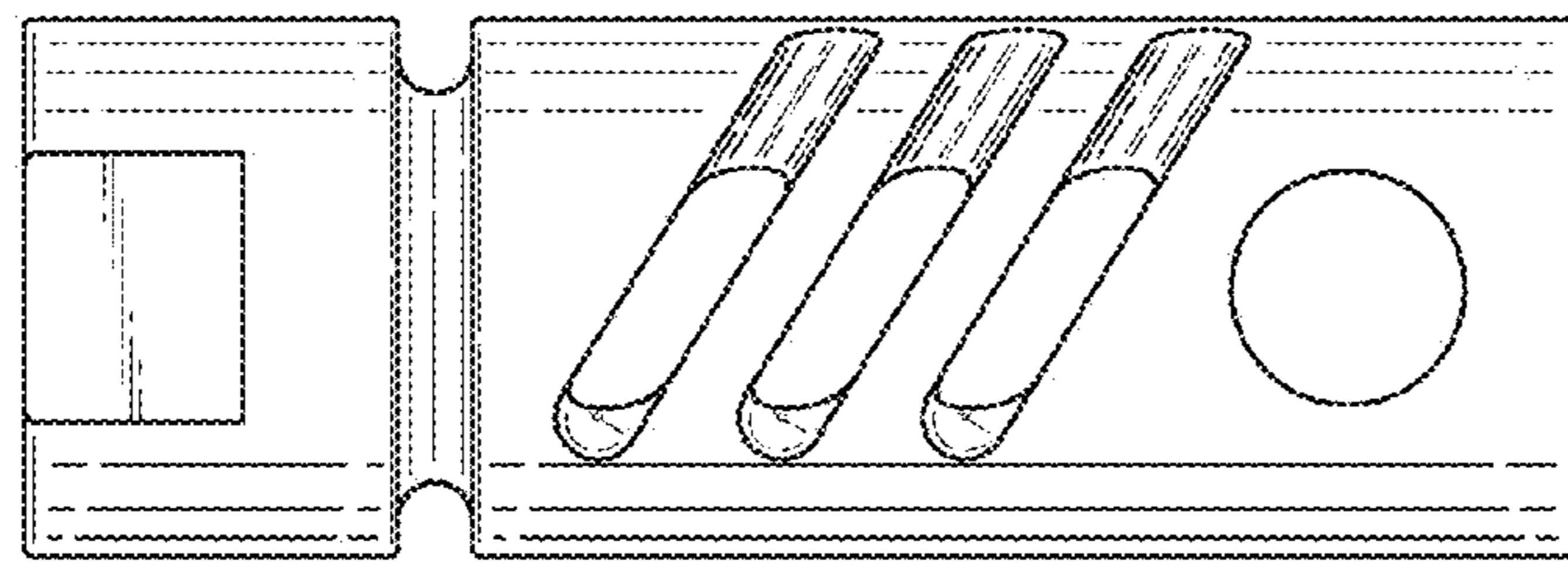
*FIG. 2*



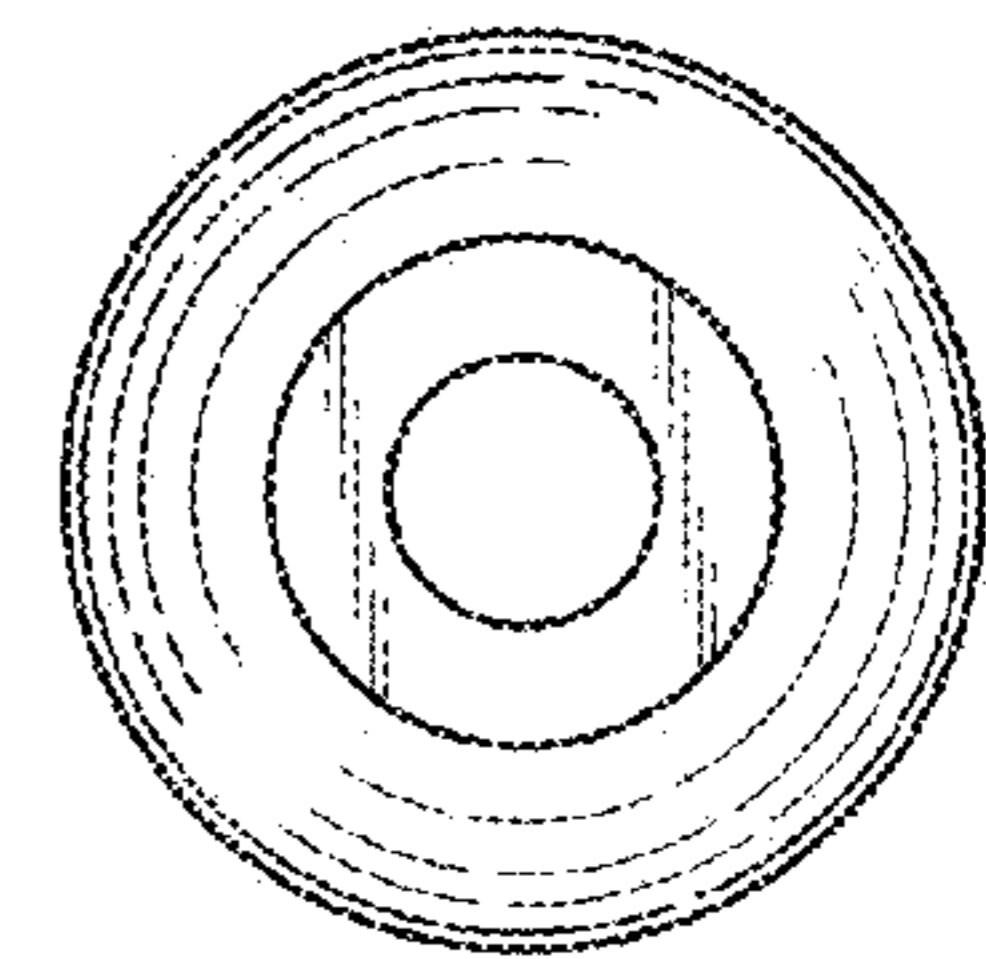
*FIG. 3*



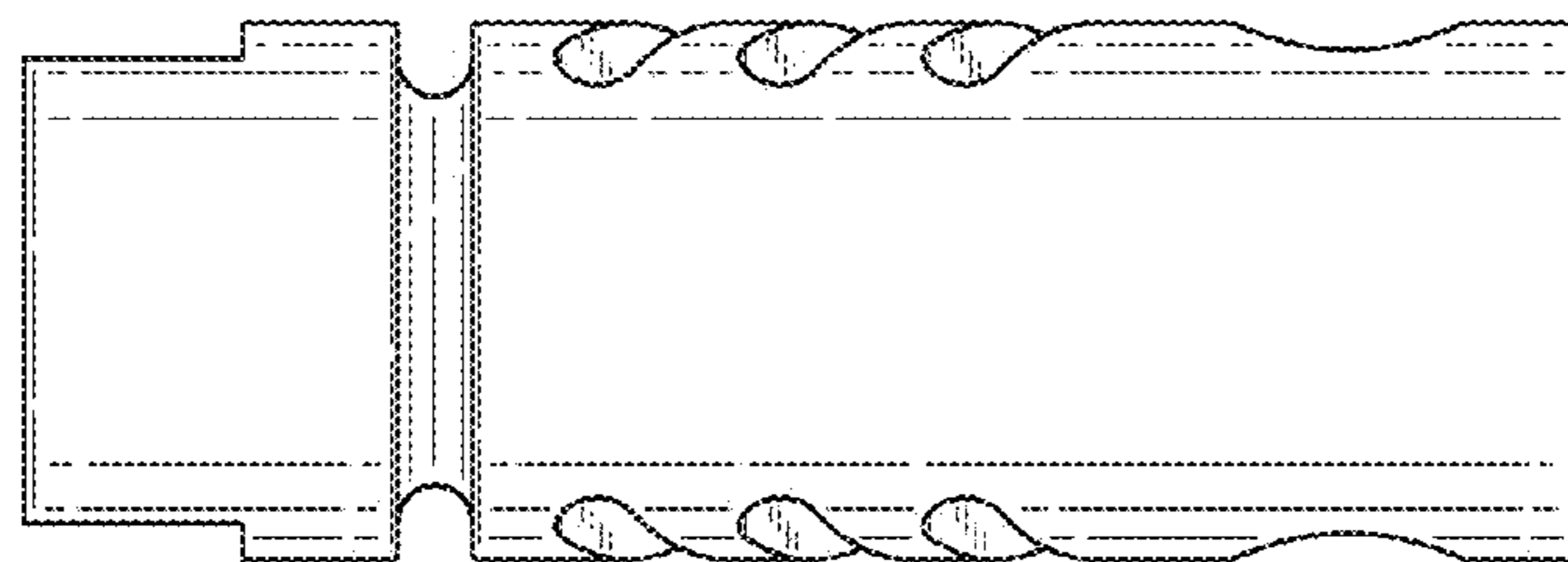
*FIG. 5*



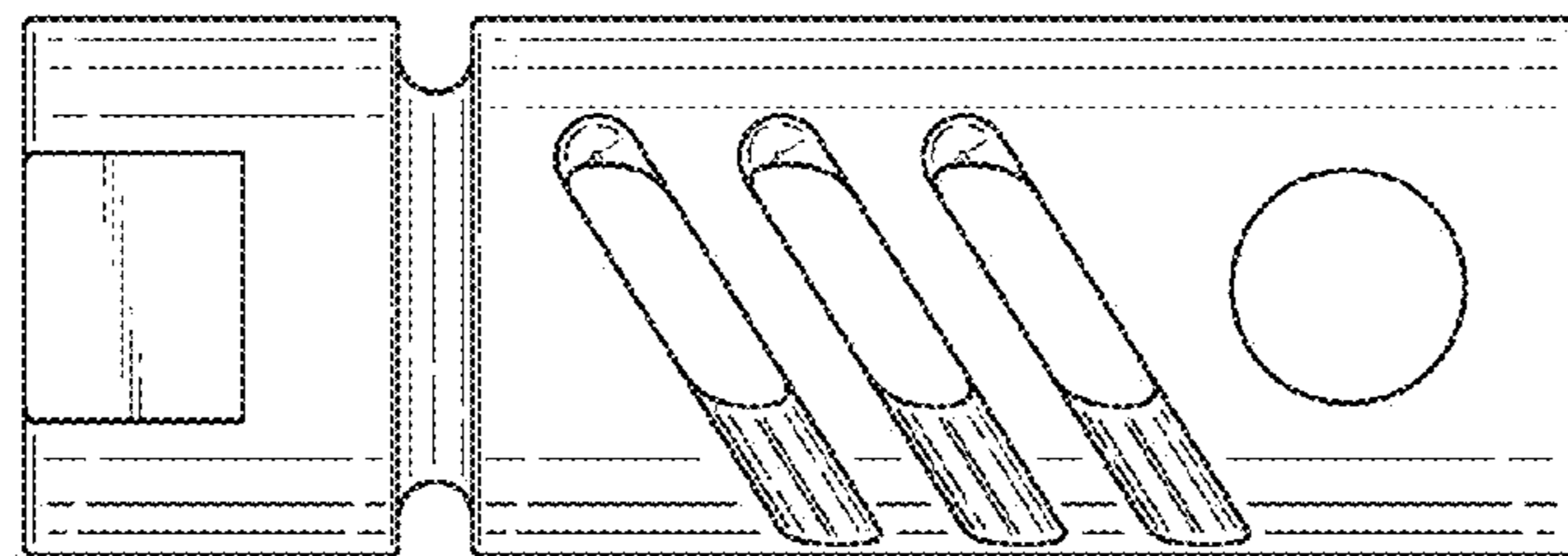
*FIG. 4*



*FIG. 6*



*FIG. 7*



*FIG. 8*