



US00D767073S

(12) **United States Design Patent** (10) **Patent No.:** **US D767,073 S**  
**Dulisse et al.** (45) **Date of Patent:** **\*\* Sep. 20, 2016**

- (54) **FIREARM SUPPRESSOR COVER**
- (71) Applicant: **Jamak Fabrication-Tex LLC**,  
Weatherford, TX (US)
- (72) Inventors: **Michael Lee Dulisse**, Graford, TX  
(US); **Steven Dean Henrickson**,  
Roanoke, TX (US)
- (73) Assignee: **Jamak Fabrication-Tex, LLC**,  
Weatherford, TX (US)
- (\*\*) Term: **14 Years**
- (21) Appl. No.: **29/515,990**
- (22) Filed: **Jan. 28, 2015**
- (51) **LOC (10) Cl.** ..... **22-01**
- (52) **U.S. Cl.**  
USPC ..... **D22/108**
- (58) **Field of Classification Search**  
USPC ..... D22/108  
CPC ..... F41A 21/30; F41A 21/325  
See application file for complete search history.

(56) **References Cited**

U.S. PATENT DOCUMENTS

2,965,994 A	12/1960	Sullivan	
4,346,643 A	8/1982	Taylor et al.	
D279,812 S *	7/1985	Cellini .....	89/14.3
4,762,048 A	8/1988	Higashi et al.	
5,183,953 A	2/1993	Anderson et al.	
D344,351 S	2/1994	Stagl	
D370,273 S	5/1996	Stagl	
5,661,920 A	9/1997	Evans	
5,778,590 A	7/1998	Browning et al.	
5,850,706 A	12/1998	Evans	
D427,669 S	7/2000	Ruuska	
D475,798 S *	6/2003	Galli .....	D26/37
D476,103 S *	6/2003	Galli .....	D26/37
D501,054 S *	1/2005	Galli .....	D26/37
D549,860 S *	8/2007	Gustafson .....	D26/37
D577,449 S *	9/2008	Shiu .....	D26/49

D577,844 S *	9/2008	Shiu .....	D26/49
D579,595 S *	10/2008	Shiu .....	D26/49
D593,631 S *	6/2009	Salva .....	D22/108
D632,751 S	2/2011	Bowers et al.	
8,347,773 B2	1/2013	Schlenkert et al.	
8,397,615 B2	3/2013	Poling	
D682,974 S *	5/2013	Honigmann .....	D22/108
D682,975 S *	5/2013	Honigmann .....	D22/108
8,973,481 B2 *	3/2015	Dueck .....	F41A 21/325 181/223
2007/0062090 A1	3/2007	Brindle	
2012/0125184 A1 *	5/2012	Meyers .....	F41A 21/34 89/14.2
2012/0273083 A1	11/2012	Lin	

(Continued)

OTHER PUBLICATIONS

[www.thefirearmblog.com/blog/2013/12/26/manta-m700-sound-suppressor-covers/](http://www.thefirearmblog.com/blog/2013/12/26/manta-m700-sound-suppressor-covers/).

(Continued)

*Primary Examiner* — Michael A Pratt

(74) *Attorney, Agent, or Firm* — McGuireWoods, LLP

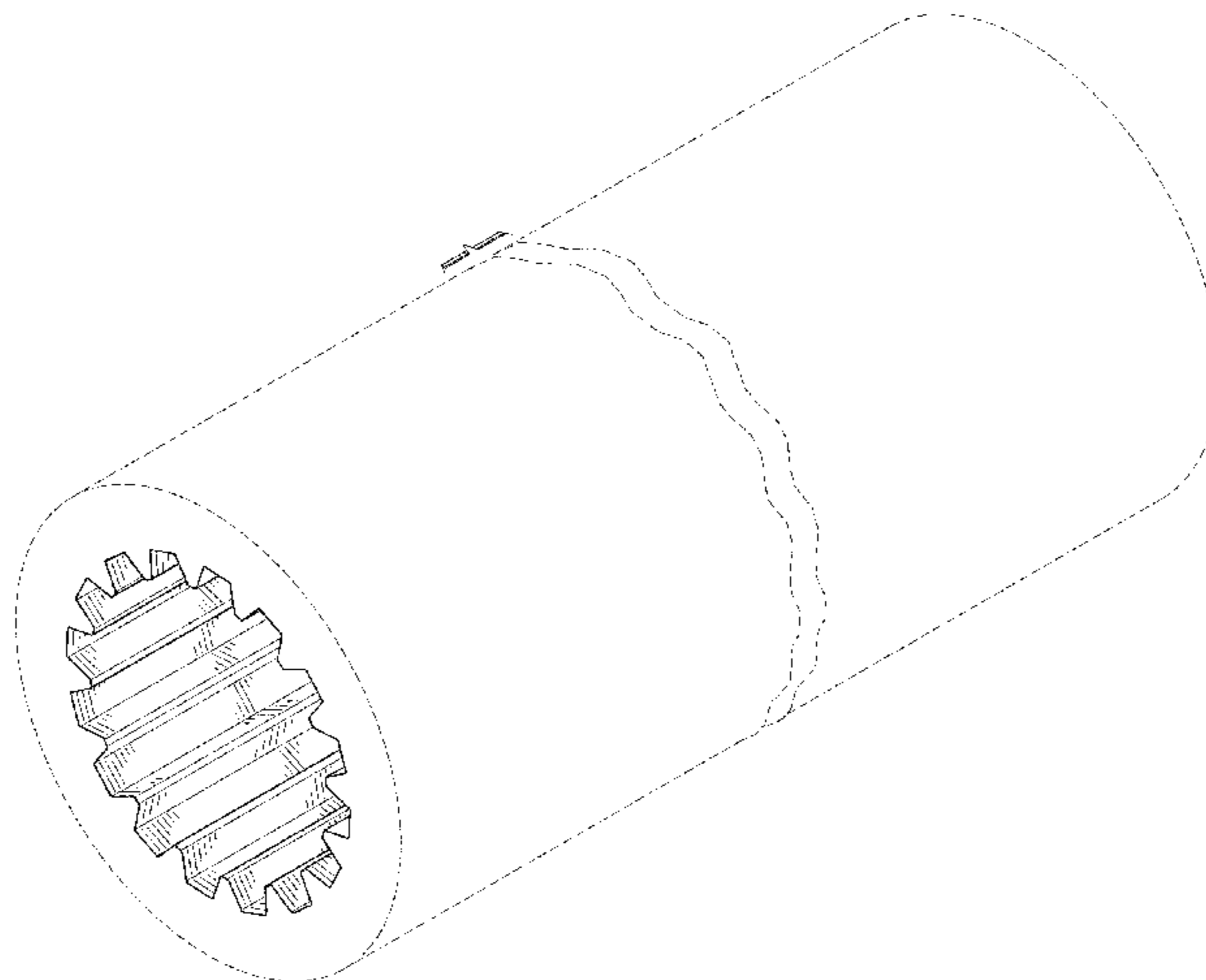
(57) **CLAIM**

We claim the ornamental design for a firearm suppressor cover, as shown and described.

**DESCRIPTION**

FIG. 1 is a perspective view of a firearm suppressor cover according to an illustrative embodiment;  
FIG. 2 is a front view of the firearm suppressor cover of FIG. 1;  
FIG. 3 is a cross-sectional right side view of the firearm suppressor cover of FIG. 1 taken at 3-3; and,  
FIG. 4 is a perspective view showing a firearm suppressor mounted within the firearm suppressor cover of FIG. 1.  
The subject matter illustrated in dashed lines, and any surfaces of the design not shown, form no part of the claimed design.

**1 Claim, 4 Drawing Sheets**



(56)

**References Cited**

U.S. PATENT DOCUMENTS

2013/0061503 A1 3/2013 W. et al.  
2014/0059913 A1 3/2014 Diamond et al.

OTHER PUBLICATIONS

[www.thefirearmblog.com/blog/2014/04/14/gear-review-bowers-group-griptastic-suppressor-covers/](http://www.thefirearmblog.com/blog/2014/04/14/gear-review-bowers-group-griptastic-suppressor-covers/).

\* cited by examiner

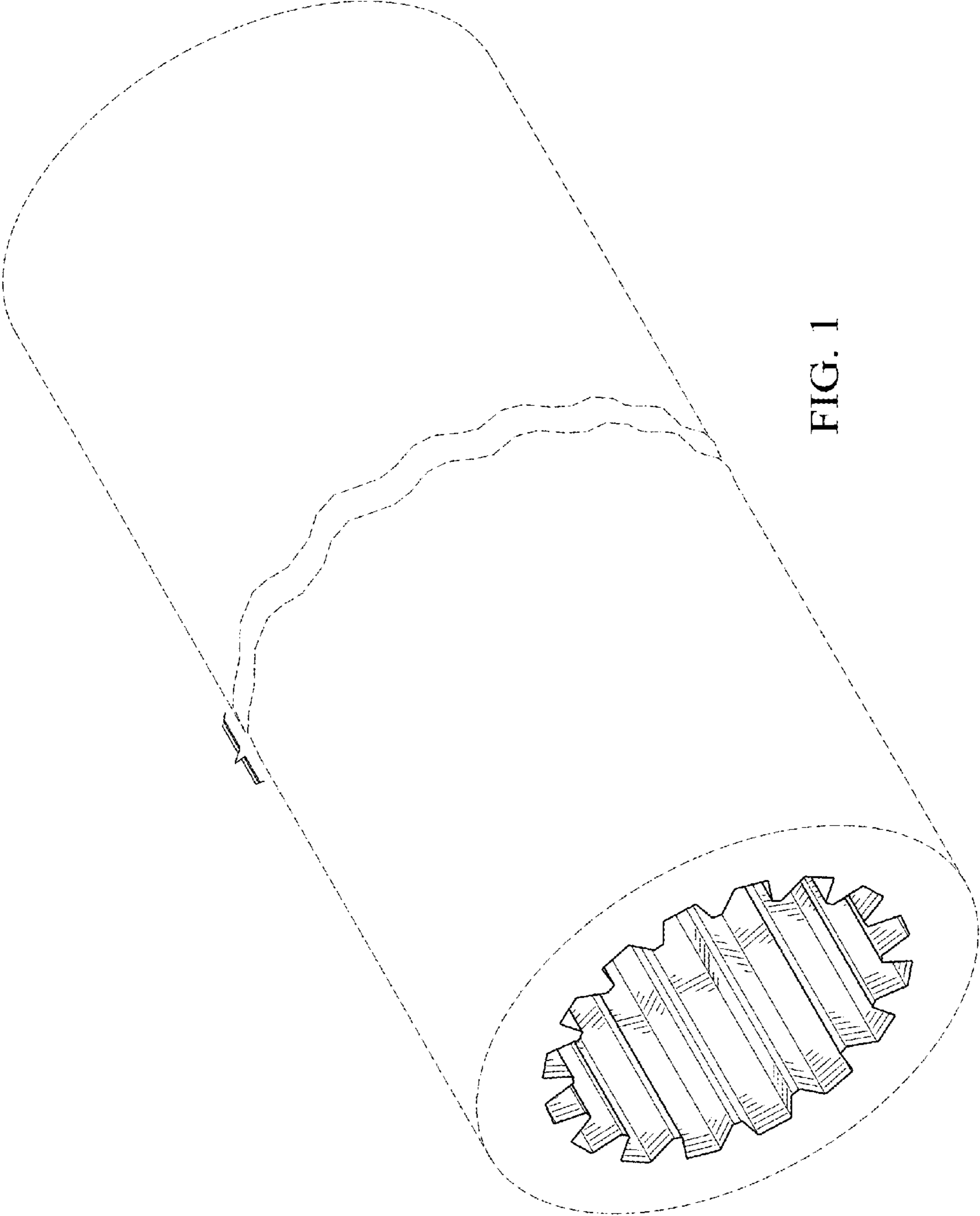
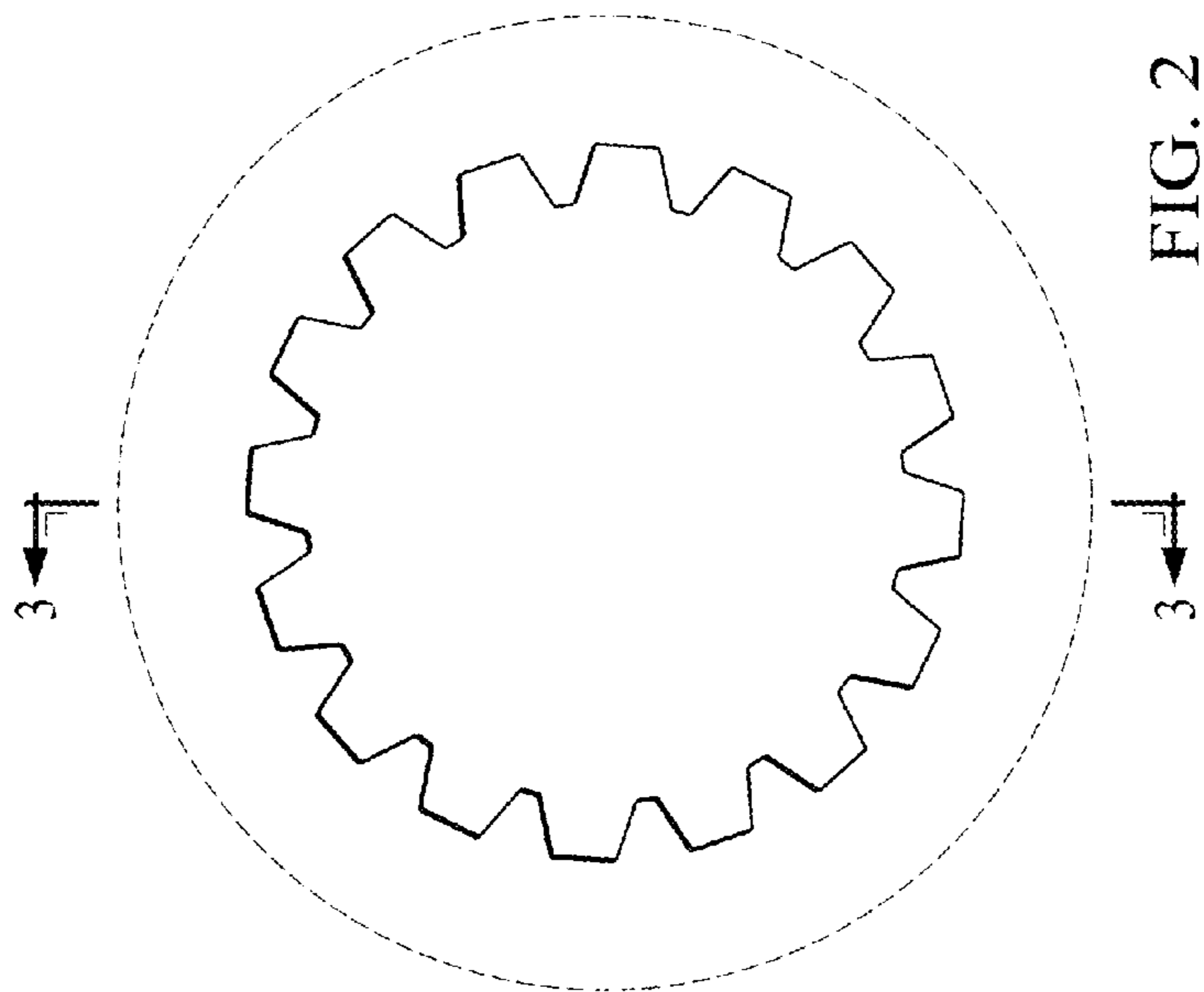


FIG. 1



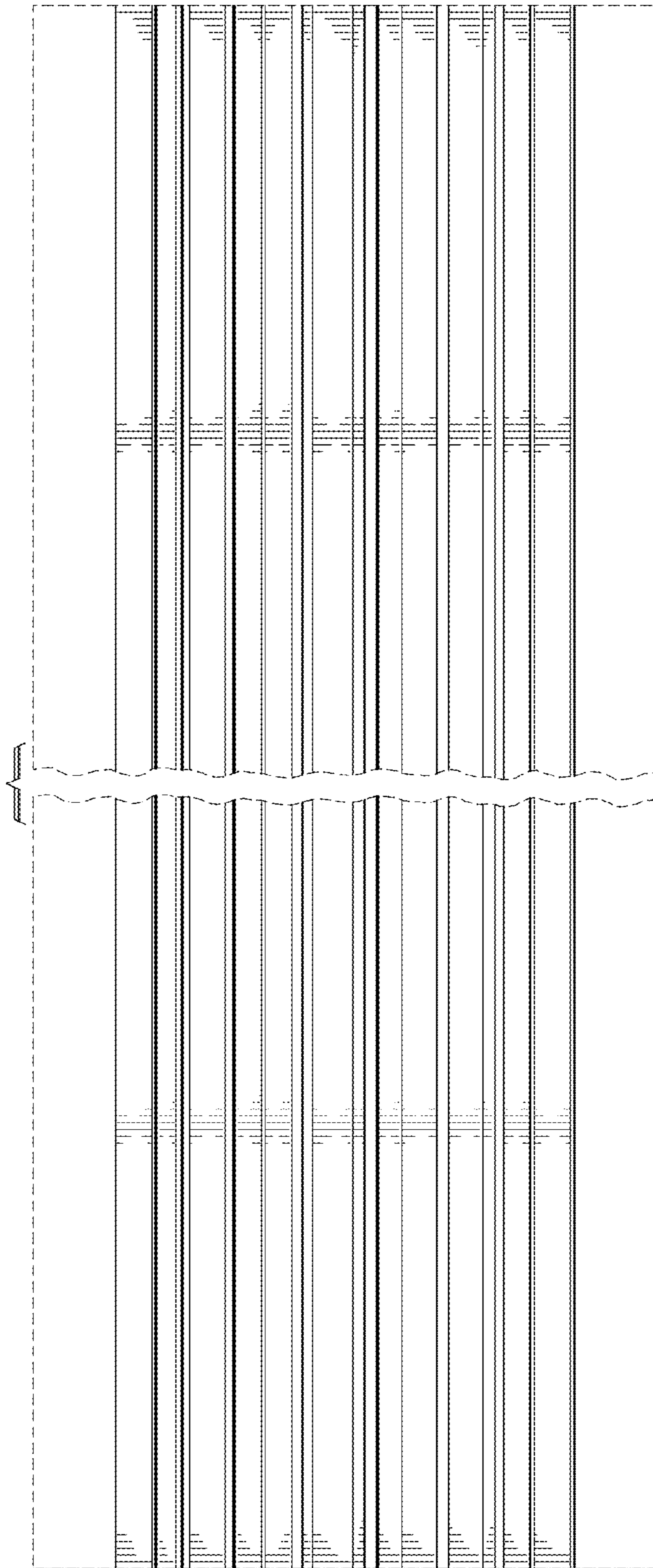


FIG. 3

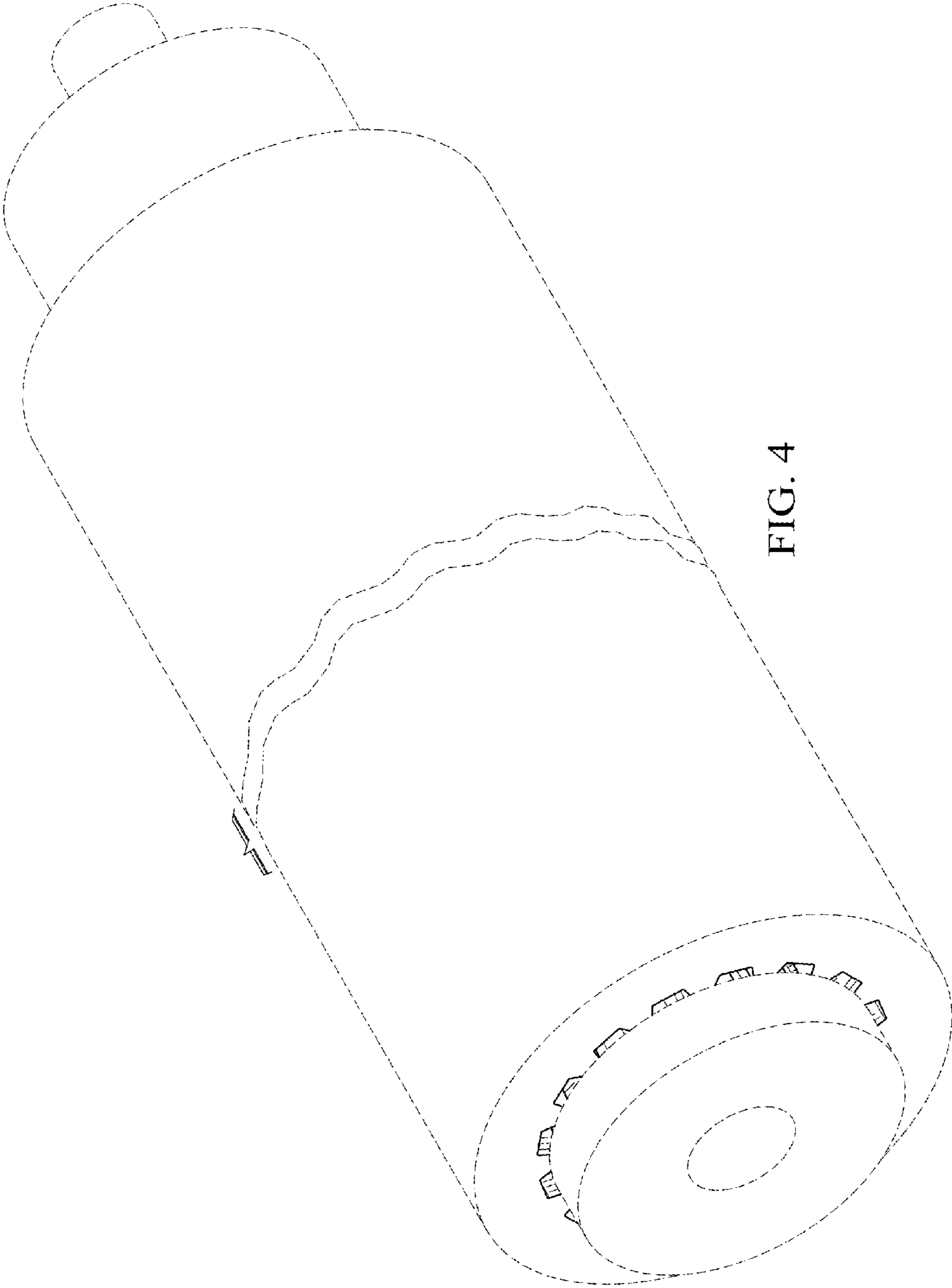


FIG. 4