

US00D767068S

(12) **United States Design Patent**
Doviddio

(10) **Patent No.:** **US D767,068 S**

(45) **Date of Patent:** **** Sep. 20, 2016**

- (54) **GOLF PUTT TRAINING DEVICE**
- (71) Applicant: **Dion Doviddio**, San Bernardino, CA
(US)
- (72) Inventor: **Dion Doviddio**, San Bernardino, CA
(US)
- (**) Term: **14 Years**
- (21) Appl. No.: **29/521,380**
- (22) Filed: **Mar. 23, 2015**
- (51) **LOC (10) Cl.** **21-02**
- (52) **U.S. Cl.**
USPC **D21/791**
- (58) **Field of Classification Search**
USPC D21/789, 791
CPC A63B 69/36; A63B 69/3644; A63B
69/3676
See application file for complete search history.

- 6,036,608 A * 3/2000 Morris A63B 69/3614
473/151
- D470,906 S * 2/2003 Shaw D21/791
- 6,929,561 B2 * 8/2005 Chang A63B 69/3641
473/257
- 7,083,527 B2 * 8/2006 Tai A63B 69/3676
473/257
- D600,299 S * 9/2009 Hanley D21/791
- 7,625,296 B2 * 12/2009 Wu A63B 57/0006
473/137
- D641,061 S * 7/2011 Finau D21/791
- D641,448 S * 7/2011 Sessions D21/791
- D646,739 S * 10/2011 Forest D21/791
- D674,453 S * 1/2013 DeLisio D21/791
- D746,932 S * 1/2016 Donaghue D21/791
- 2006/0189404 A1 * 8/2006 Brayton A63B 69/3676
473/261

* cited by examiner

Primary Examiner — Mitchell Siegel
(74) *Attorney, Agent, or Firm* — Quickpatents, LLC; Kevin Prince

(57) **CLAIM**

I claim the ornamental design for a golf putt training device, as shown and described.

DESCRIPTION

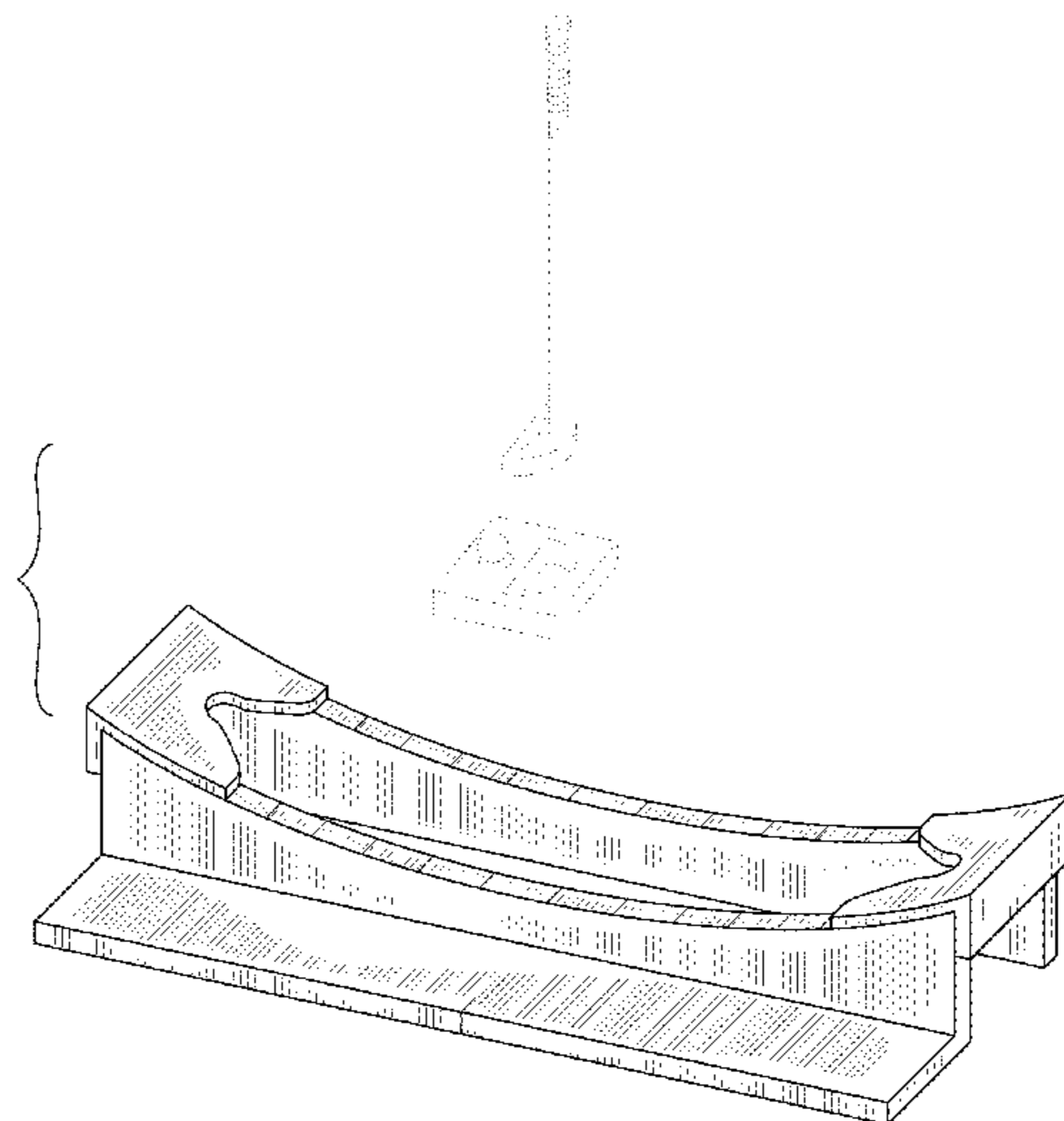
FIG. 1 is a perspective view of a golf putt training device, showing my new design;
FIG. 2 is a front elevational view thereof;
FIG. 3 is a rear elevational view thereof;
FIG. 4 is a right-side elevational view thereof;
FIG. 5 is a left-side elevational view thereof;
FIG. 6 is a top plan view thereof; and,
FIG. 7 is a bottom plan view thereof.
The broken lines showing a putter and putter attachment in FIG. 1 depict environmental matter and form no part of the claimed design.

1 Claim, 3 Drawing Sheets

(56) **References Cited**

U.S. PATENT DOCUMENTS

- 2,084,901 A * 6/1937 Eisenberg A63B 69/3676
473/229
- 2,084,902 A * 6/1937 Eisenberg A63B 69/3676
473/229
- 3,885,796 A * 5/1975 King A63B 69/3676
473/265
- D245,035 S * 7/1977 Gordon D21/790
- 4,082,287 A * 4/1978 Berkey A63B 69/3676
206/315.9
- 4,437,669 A * 3/1984 Pelz A63B 69/3676
473/265
- 4,453,717 A * 6/1984 Solheim A63B 69/3676
473/265
- 5,435,547 A * 7/1995 Lee A63B 69/3614
473/221
- 5,437,458 A * 8/1995 Springer A63B 69/3676
273/DIG. 30



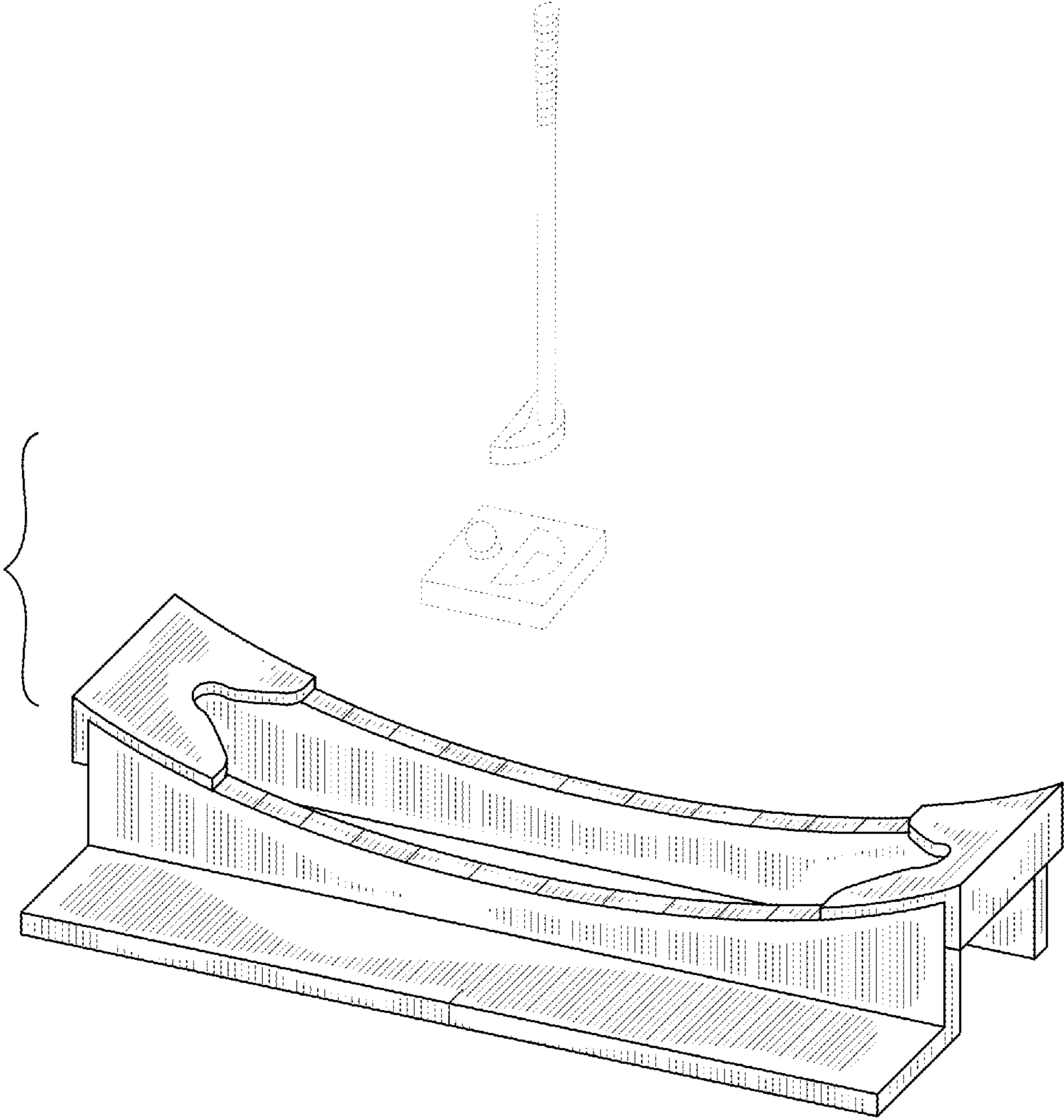


FIG. 1

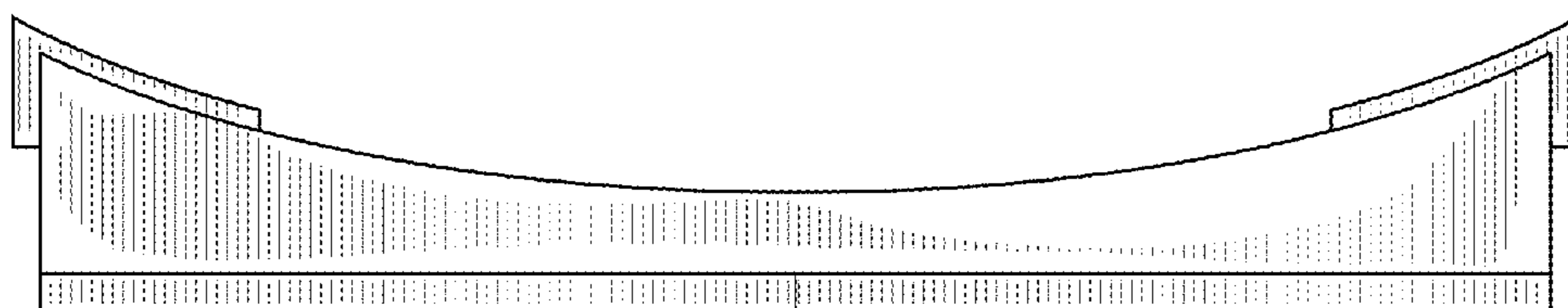


FIG. 2

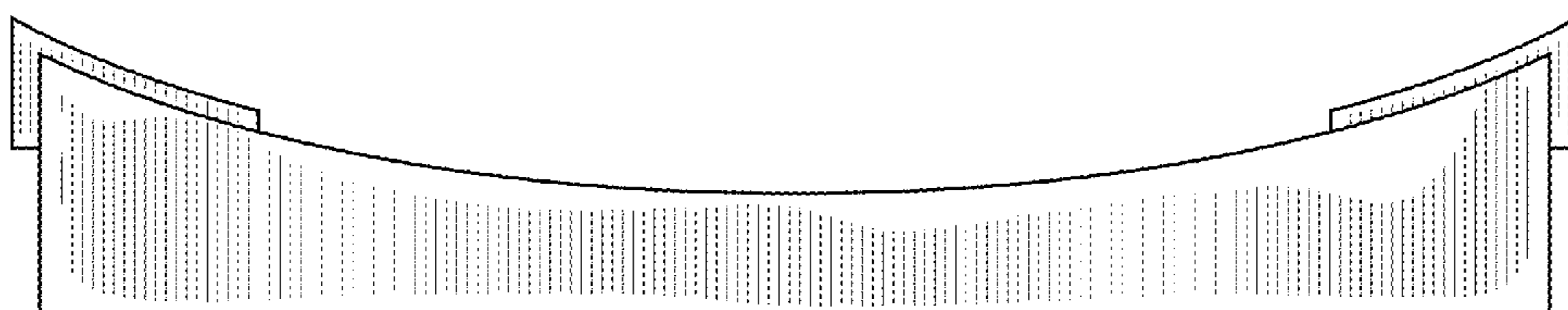


FIG. 3

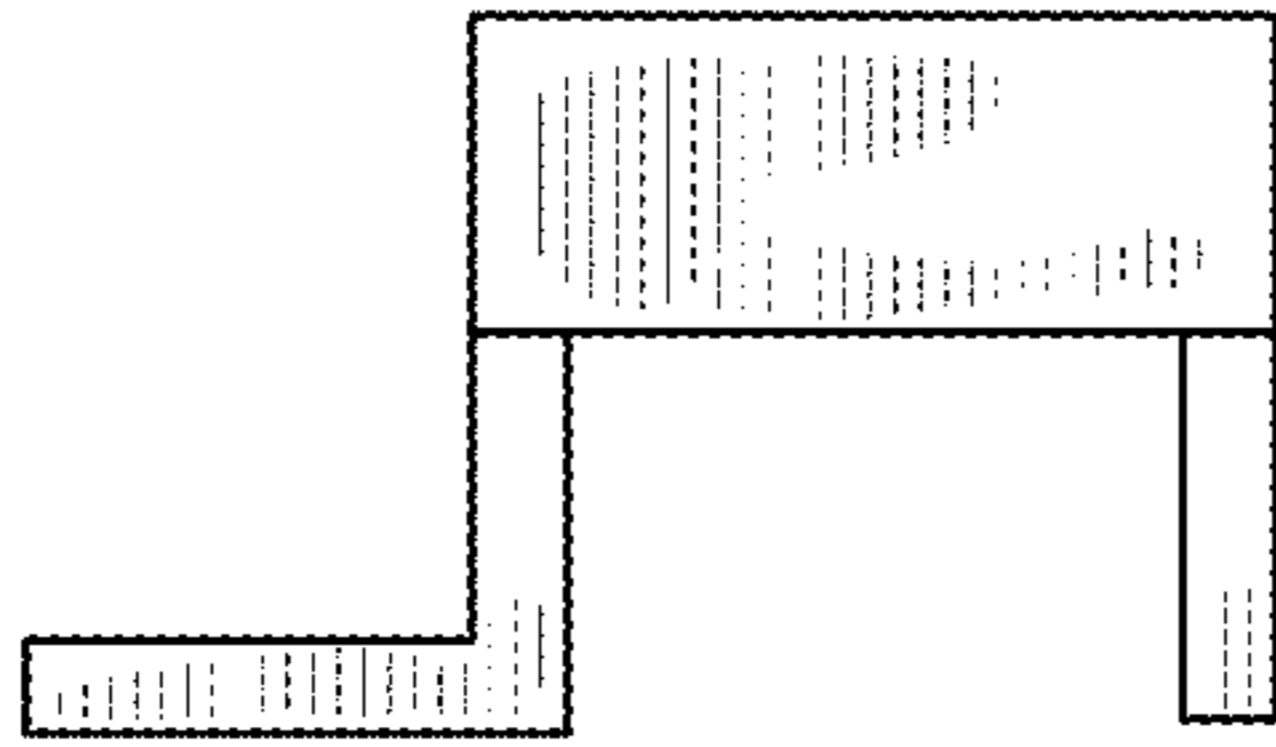


FIG. 4

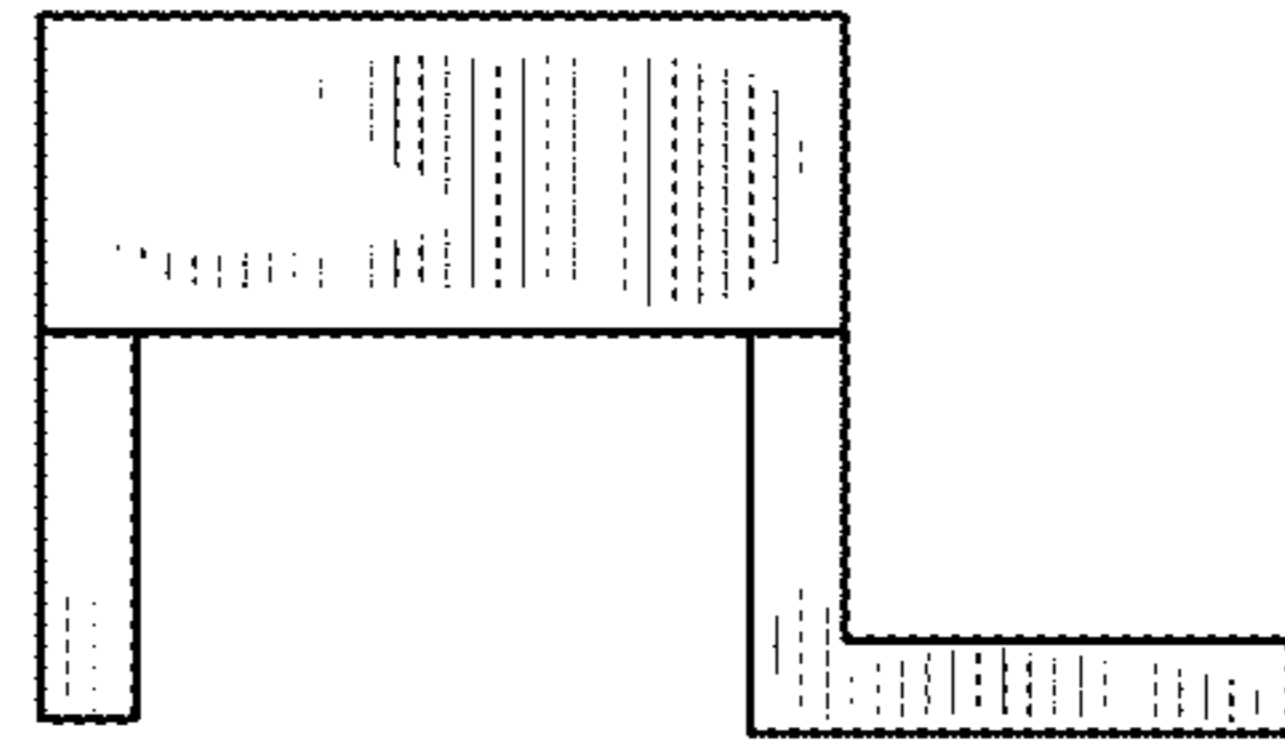


FIG. 5

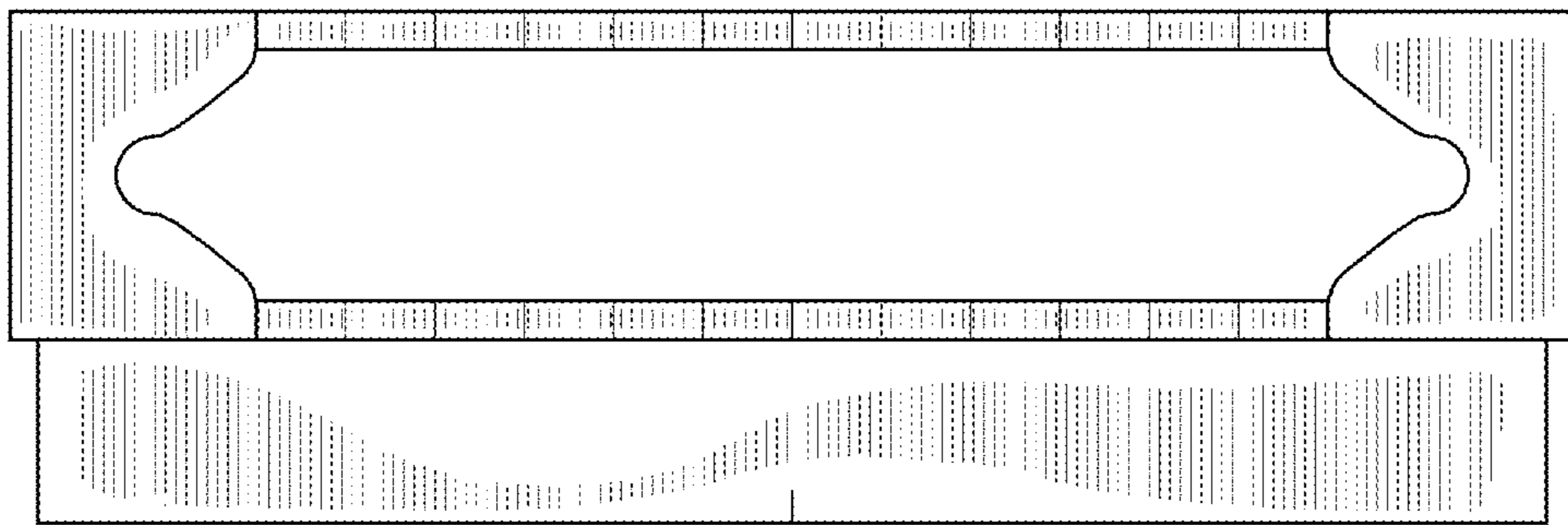


FIG. 6

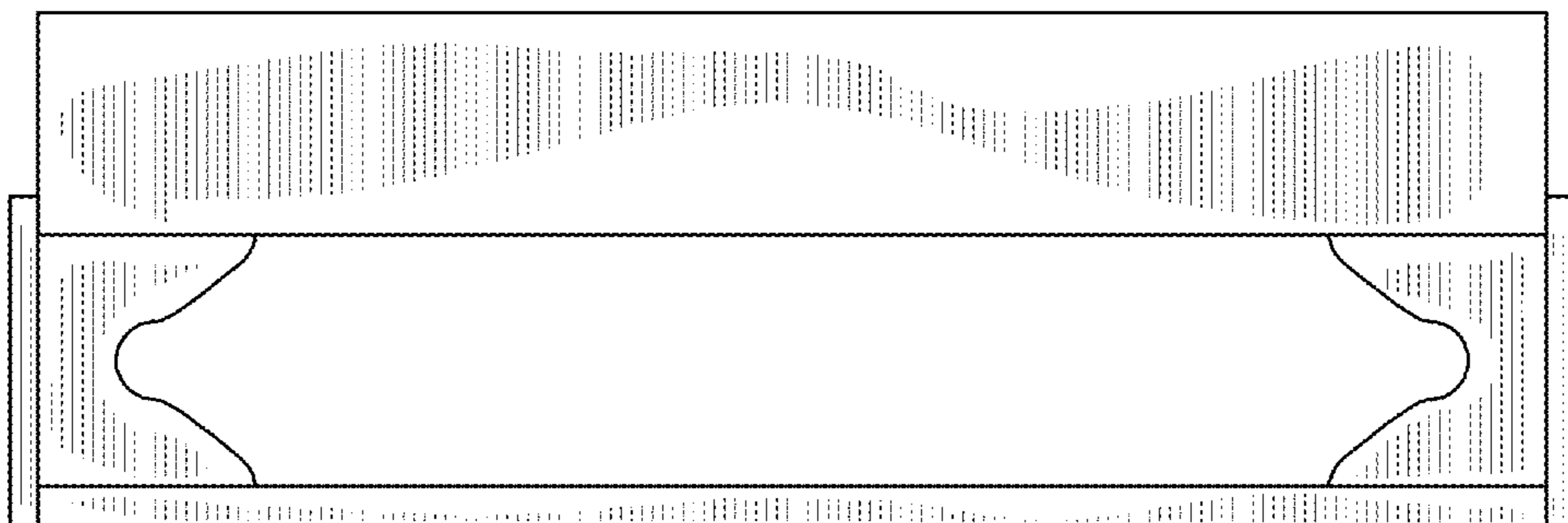


FIG. 7