

US00D767067S

(12) **United States Design Patent** (10) **Patent No.:** **US D767,067 S**
Foster et al. (45) **Date of Patent:** **** Sep. 20, 2016**

(54) **GOLF CLUB HEAD**
(71) Applicant: **CALLAWAY GOLF COMPANY**,
Carlsbad, CA (US)
(72) Inventors: **Philip G. Foster**, Vista, CA (US);
Matthew S. Hoffmeyer, Carlsbad, CA
(US); **Joel B. Erickson**, Pierce, NE
(US); **Steven C. Sutton**, Carlsbad, CA
(US)
(73) Assignee: **Callaway Golf Company**, Carlsbad,
CA (US)

D647,583 S * 10/2011 Foster D21/752
D647,584 S * 10/2011 Foster D21/752
D651,269 S * 12/2011 Foster D21/759
D651,270 S * 12/2011 Foster D21/759
D652,880 S * 1/2012 Foster D21/752
D663,371 S * 7/2012 Kim D21/752
D667,908 S * 9/2012 Shimazaki D21/759
D681,757 S * 5/2013 Foster D21/752
D686,291 S * 7/2013 Foster D21/759
D694,351 S * 11/2013 Kim D21/759
D696,369 S * 12/2013 Kim D21/759
D708,687 S * 7/2014 Vrska D21/759
D720,418 S * 12/2014 Chen D21/759
D737,388 S * 8/2015 Tang D21/759
D738,975 S * 9/2015 Kim D21/759

(**) Term: **15 Years**

* cited by examiner

(21) Appl. No.: **29/534,568**

Primary Examiner — Mitchell Siegel

(22) Filed: **Jul. 29, 2015**

(74) *Attorney, Agent, or Firm* — Rebecca Hanovice;
Michael Catania; Sonia Lari

(51) **LOC (10) Cl.** **21-02**

(52) **U.S. Cl.**
USPC **D21/759**

(57) **CLAIM**

The ornamental design for a golf club head, as shown and described.

(58) **Field of Classification Search**
USPC D21/733, 752, 759
CPC A63B 53/04; A63B 53/0466; A63B
2053/002; A63B 2053/0445; A63B
2053/0433; A63B 2053/0437; A63B
2053/0491
See application file for complete search history.

DESCRIPTION

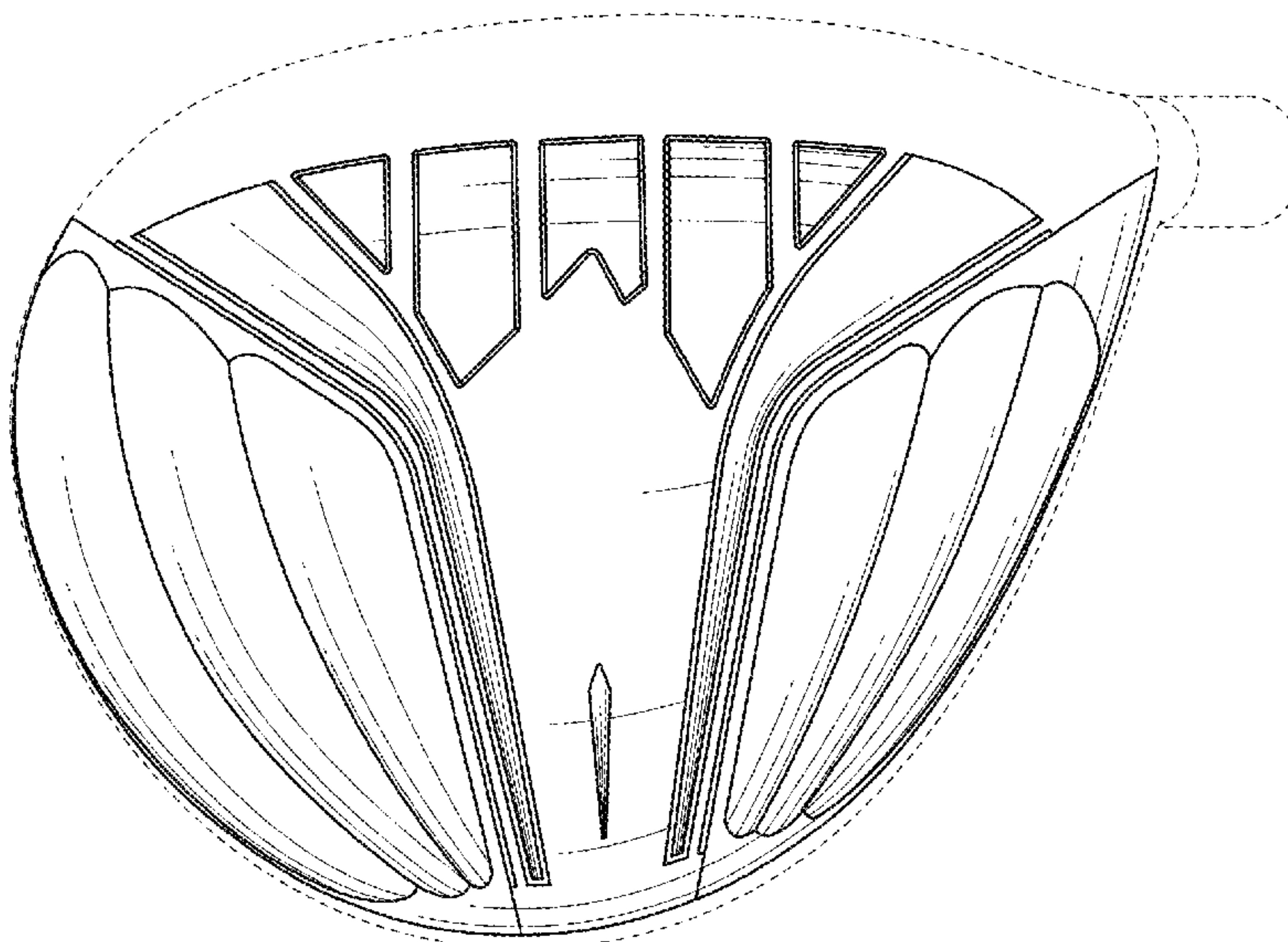
FIG. 1 is a rear perspective view of the golf club head herein;
FIG. 2 is a front elevational view thereof;
FIG. 3 is a rear elevational view thereof;
FIG. 4 is a left side elevational view thereof;
FIG. 5 is a right side elevational view thereof;
FIG. 6 is a top plan view thereof; and,
FIG. 7 is a bottom plan view thereof.
The broken lines in the drawings are included for the
purpose of illustration and form no part of the claimed
design.

(56) **References Cited**

U.S. PATENT DOCUMENTS

D489,425 S * 5/2004 Rice D21/759
D595,794 S * 7/2009 Kim D21/752
D612,003 S * 3/2010 Tang D21/752
D641,818 S * 7/2011 Foster D21/752

1 Claim, 5 Drawing Sheets



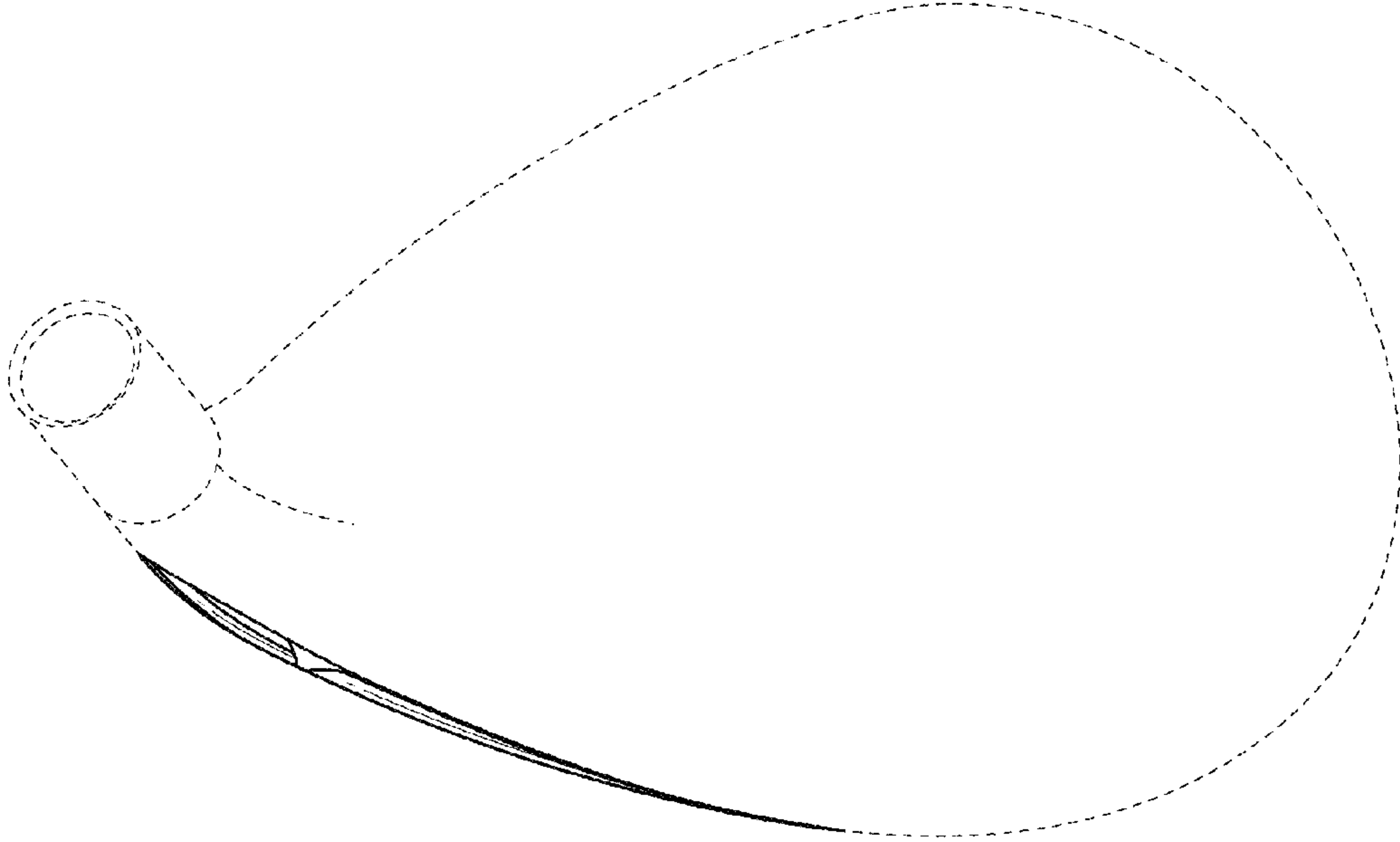


FIG. 1

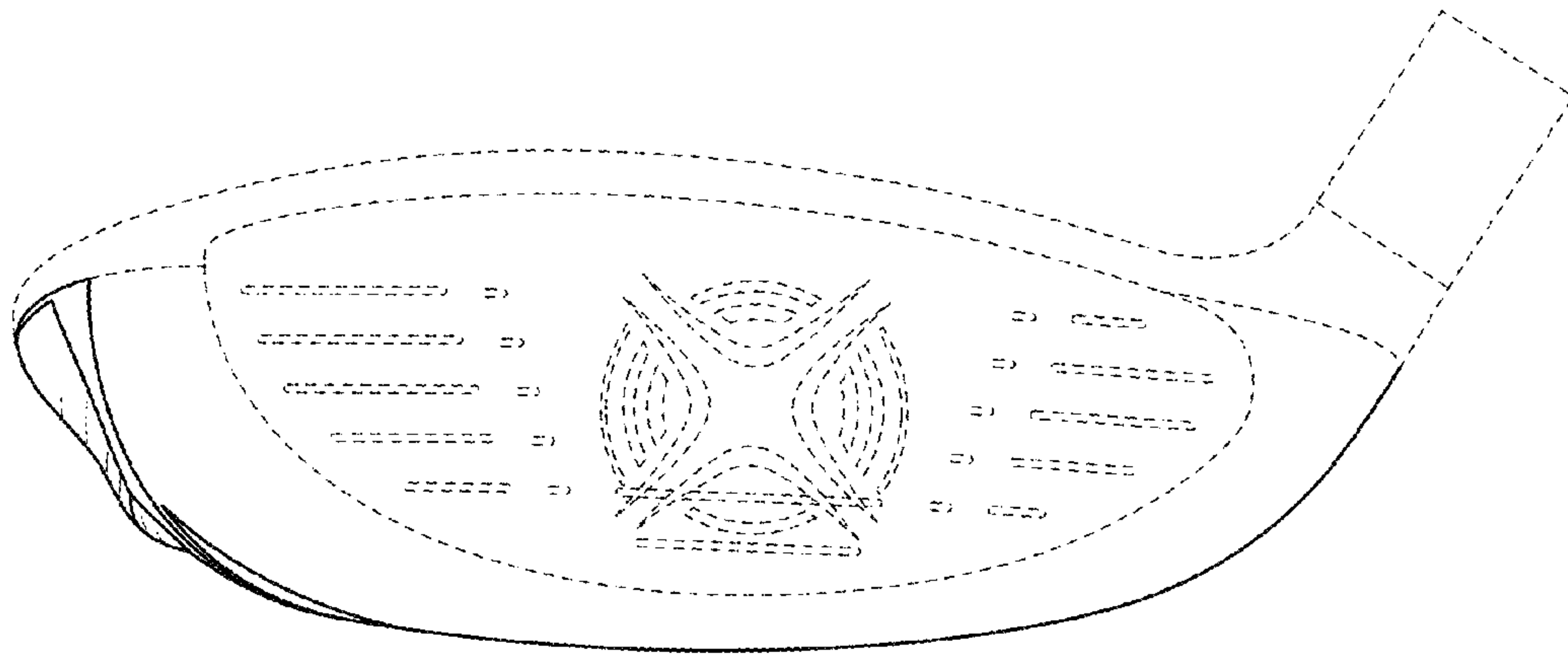


FIG. 2

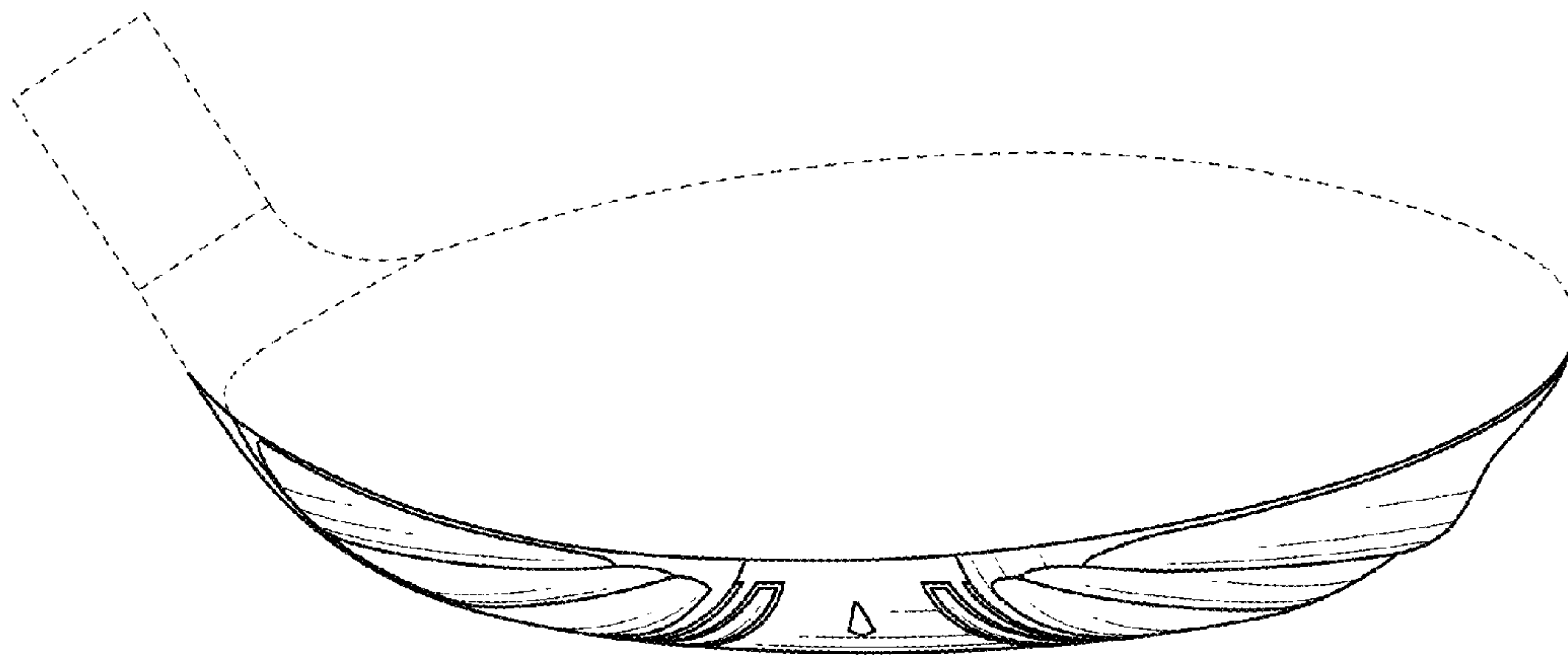


FIG. 3

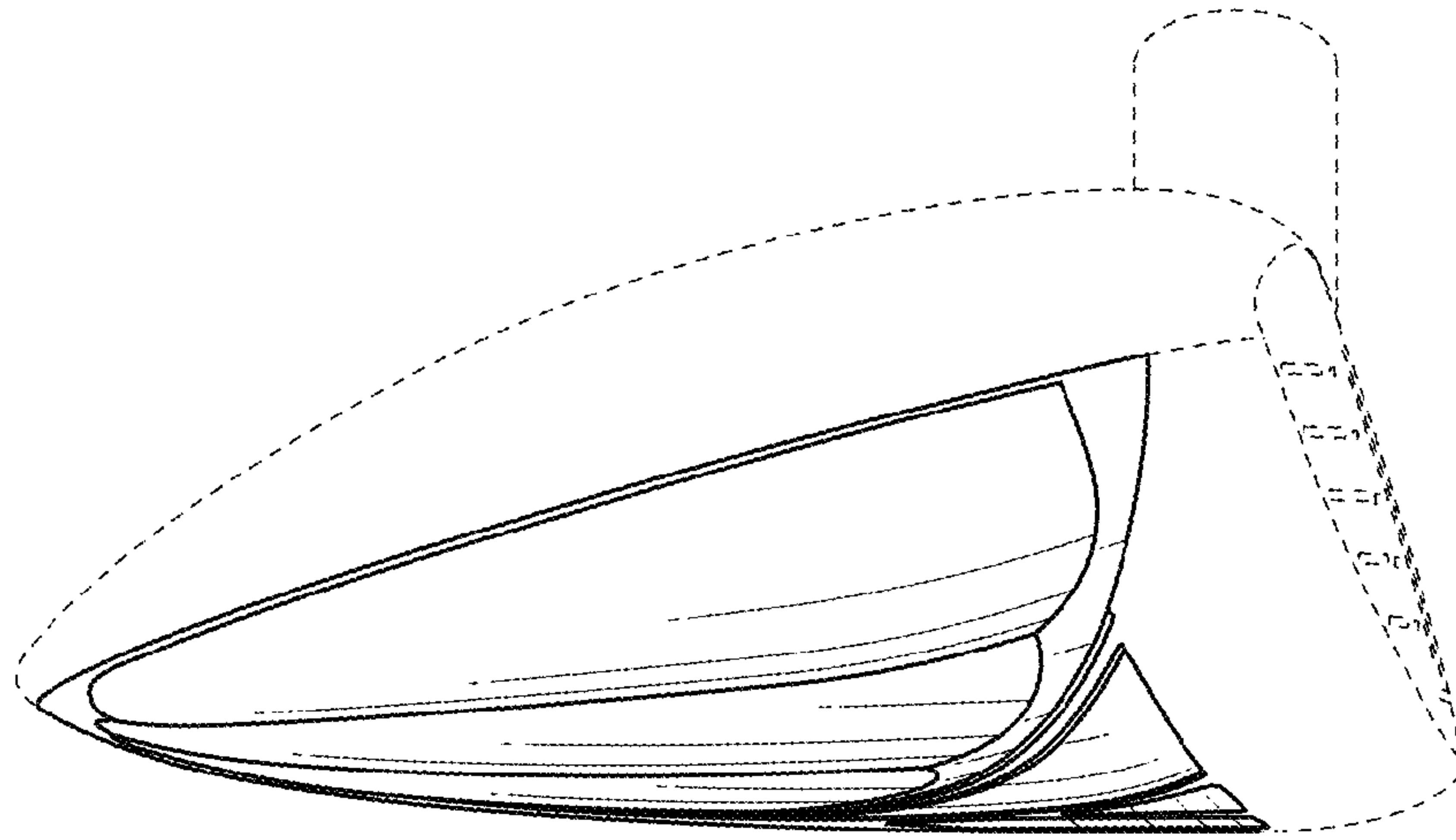


FIG. 4

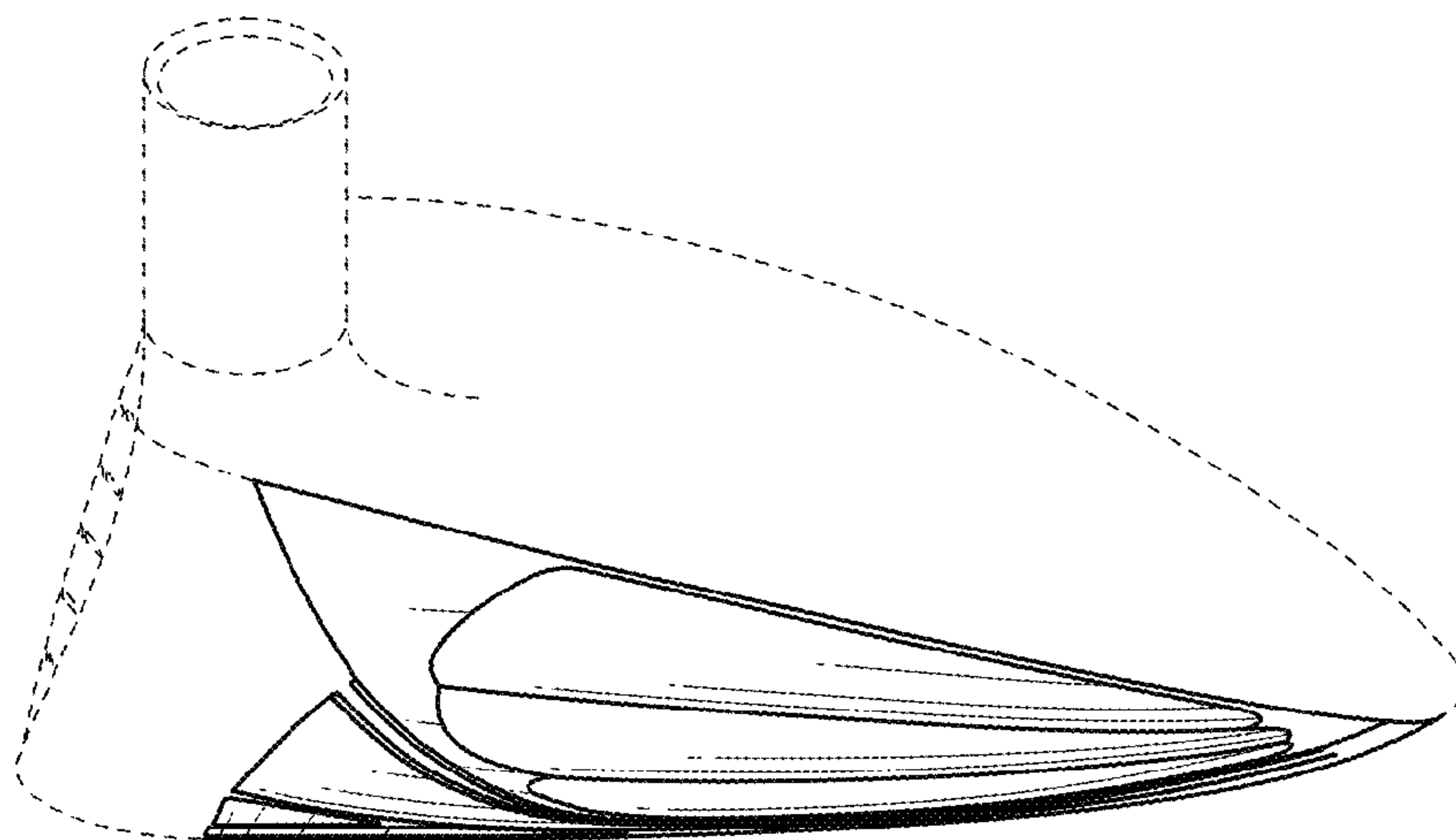


FIG. 5

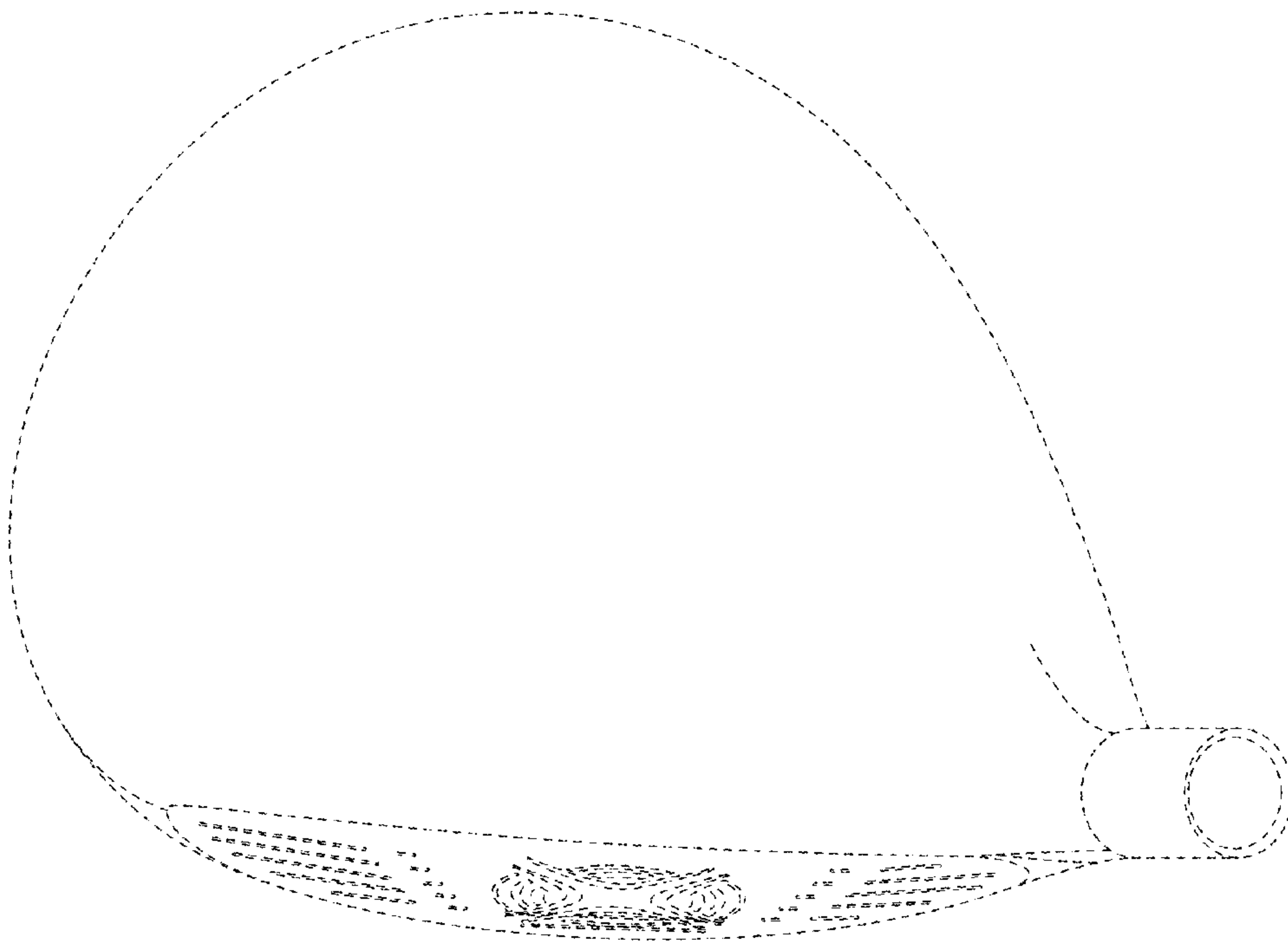


FIG. 6

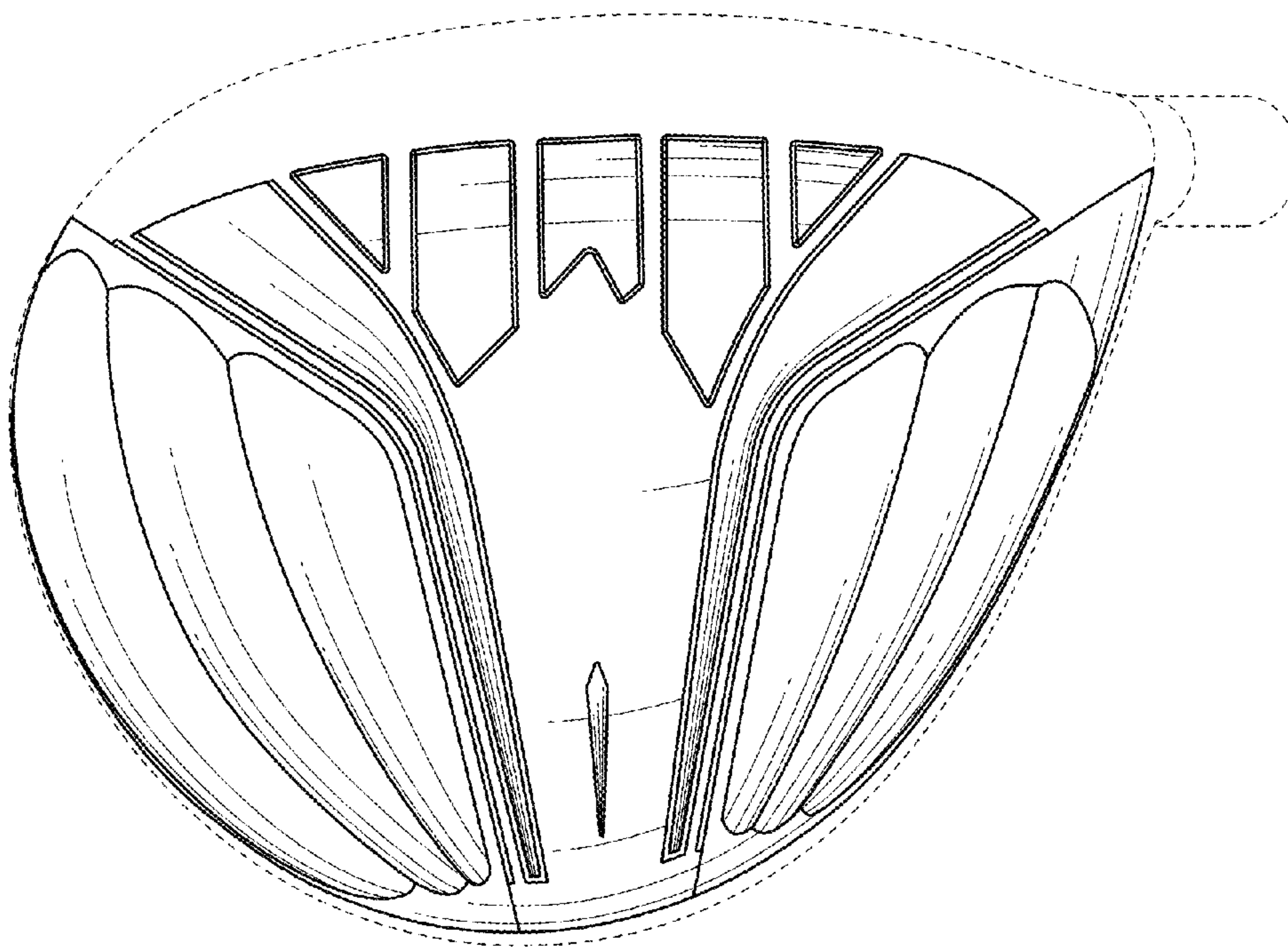


FIG. 7