



US00D767066S

(12) **United States Design Patent**
Asazuma

(10) **Patent No.:** **US D767,066 S**

(45) **Date of Patent:** **** Sep. 20, 2016**

(54) **GOLF CLUB HEAD**

(71) Applicant: **DUNLOP SPORTS CO. LTD.**, Kobe (JP)

(72) Inventor: **Hajime Asazuma**, Kobe (JP)

(73) Assignee: **DUNLOP SPORTS CO., LTD.**, Kobe (JP)

(**) Term: **15 Years**

(21) Appl. No.: **29/531,897**

(22) Filed: **Jun. 30, 2015**

(30) **Foreign Application Priority Data**

Apr. 28, 2015 (JP) 2015-009530

(51) **LOC (10) Cl.** **21-02**

(52) **U.S. Cl.**
USPC **D21/759**

(58) **Field of Classification Search**
USPC D21/747-751, 759
CPC A63B 53/00; A63B 53/04; A63B 53/047;
A63B 53/0475; A63B 53/0445; A63B
2053/0479

See application file for complete search history.

(56) **References Cited**

U.S. PATENT DOCUMENTS

D454,606 S * 3/2002 Helmstetter D21/747
D480,440 S * 10/2003 Rollinson D21/749
D499,779 S * 12/2004 Mahaffey D21/747
D614,710 S * 4/2010 Kim D21/747

D618,293 S * 6/2010 Foster D21/747
D663,369 S * 7/2012 Foster D21/749
D707,772 S * 6/2014 Oldknow D21/759
D720,415 S * 12/2014 Delvac D21/759
D732,126 S * 6/2015 Dolezel D21/759
D732,621 S * 6/2015 Dolezel D21/759
D733,821 S * 7/2015 Dolezel D21/759
D753,250 S * 4/2016 Song D21/749

* cited by examiner

Primary Examiner — Mitchell Siegel

(74) *Attorney, Agent, or Firm* — Oliff PLC

(57) **CLAIM**

The ornamental design for a golf club head, as shown and described.

DESCRIPTION

FIG. 1 is a top, heel-side, rear perspective view of the golf club head;

FIG. 2 is a top, toe-side, rear perspective view thereof;

FIG. 3 is a rear elevational view thereof;

FIG. 4 is a front elevational view thereof;

FIG. 5 is a heel-side elevational view thereof;

FIG. 6 is a toe-side elevational view thereof;

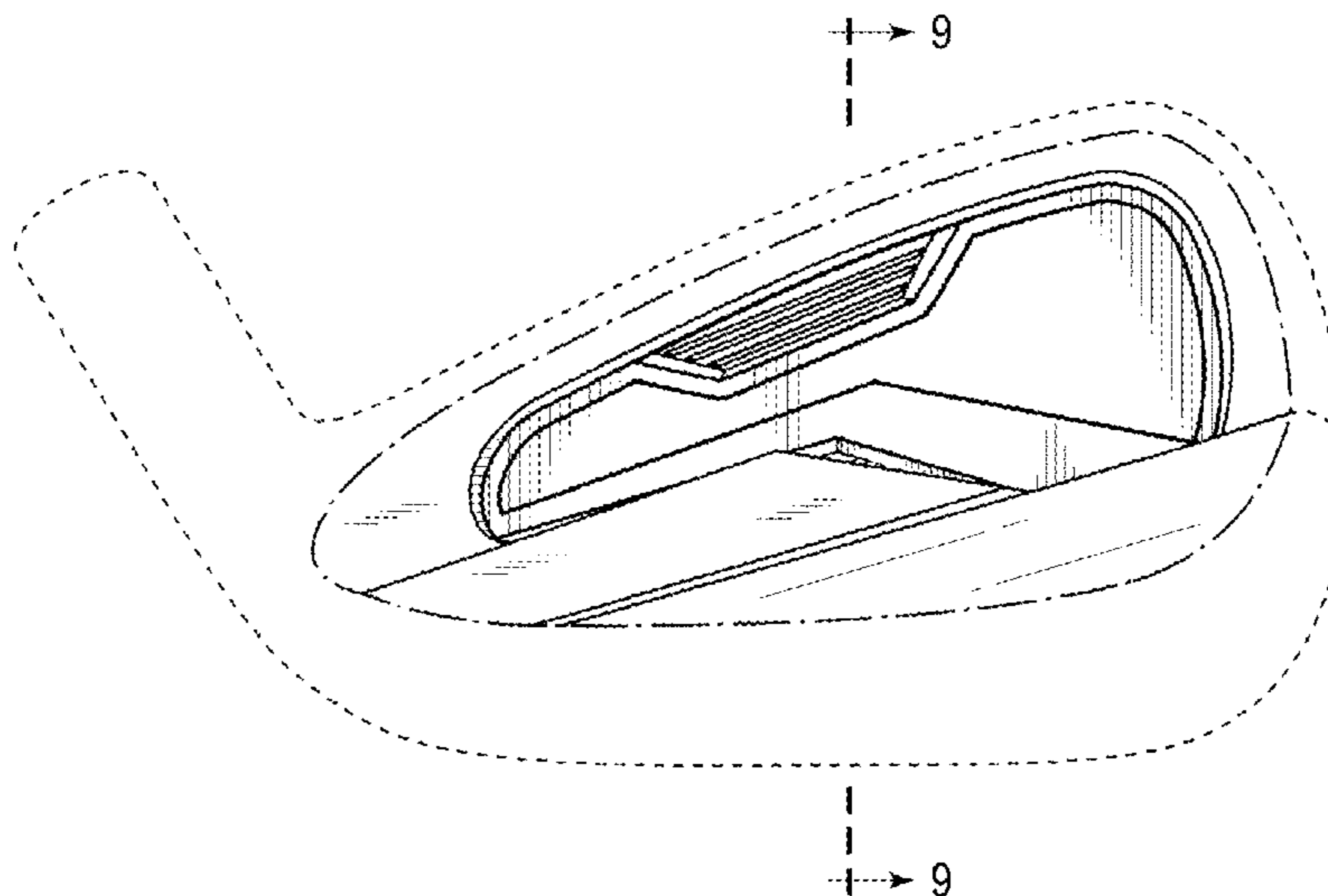
FIG. 7 is a top plan view thereof;

FIG. 8 is a bottom plan view thereof; and,

FIG. 9 is a cross-sectional view taken along line 9-9 in FIG. 3.

The dot-dash chain lines shown in the drawings are included for the purpose of illustrating boundaries of the claimed design and form no part of the claimed design. The broken lines shown in the drawings are included for the purpose of illustrating environment and form no part of the claimed design.

1 Claim, 5 Drawing Sheets



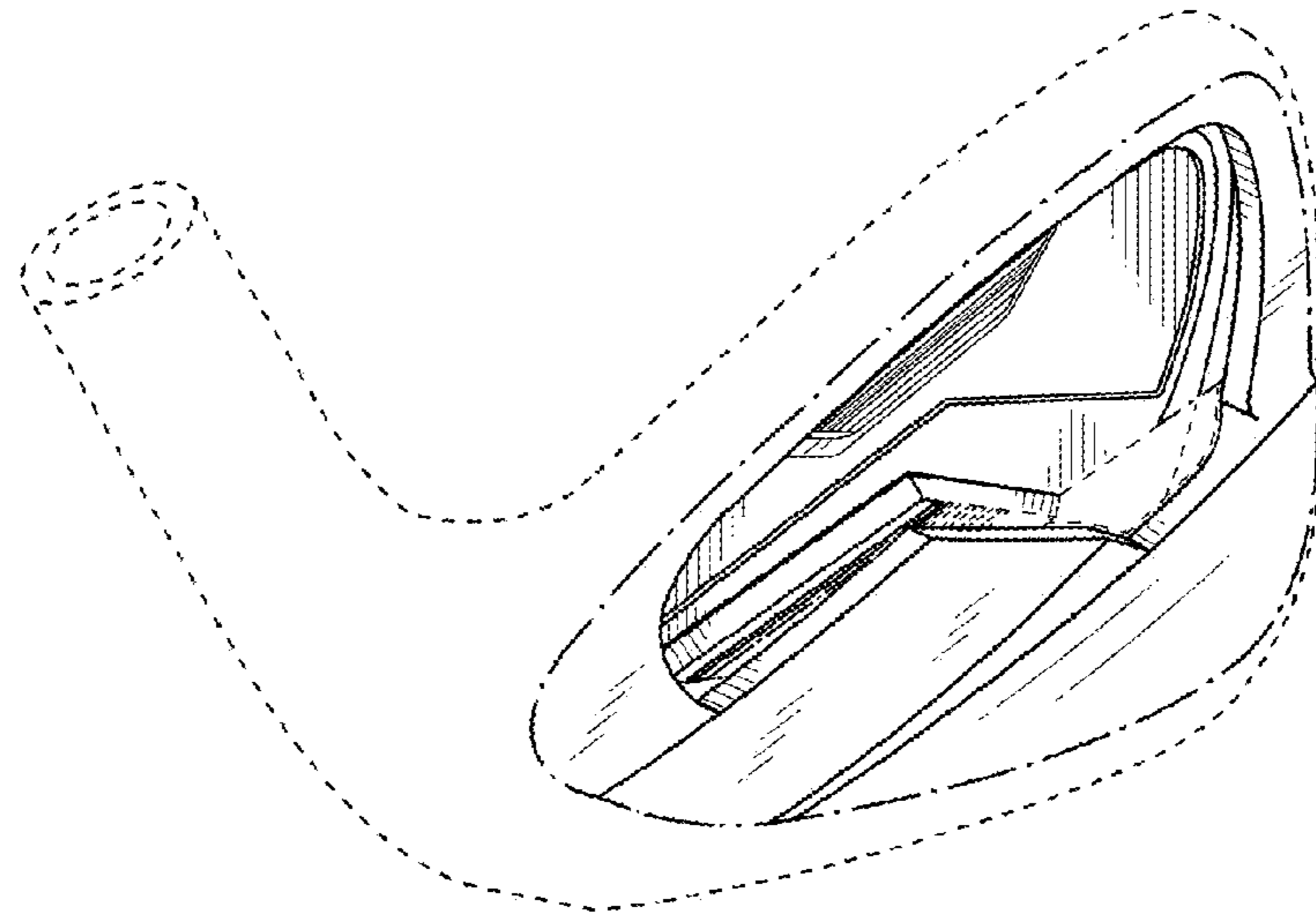


FIG. 1

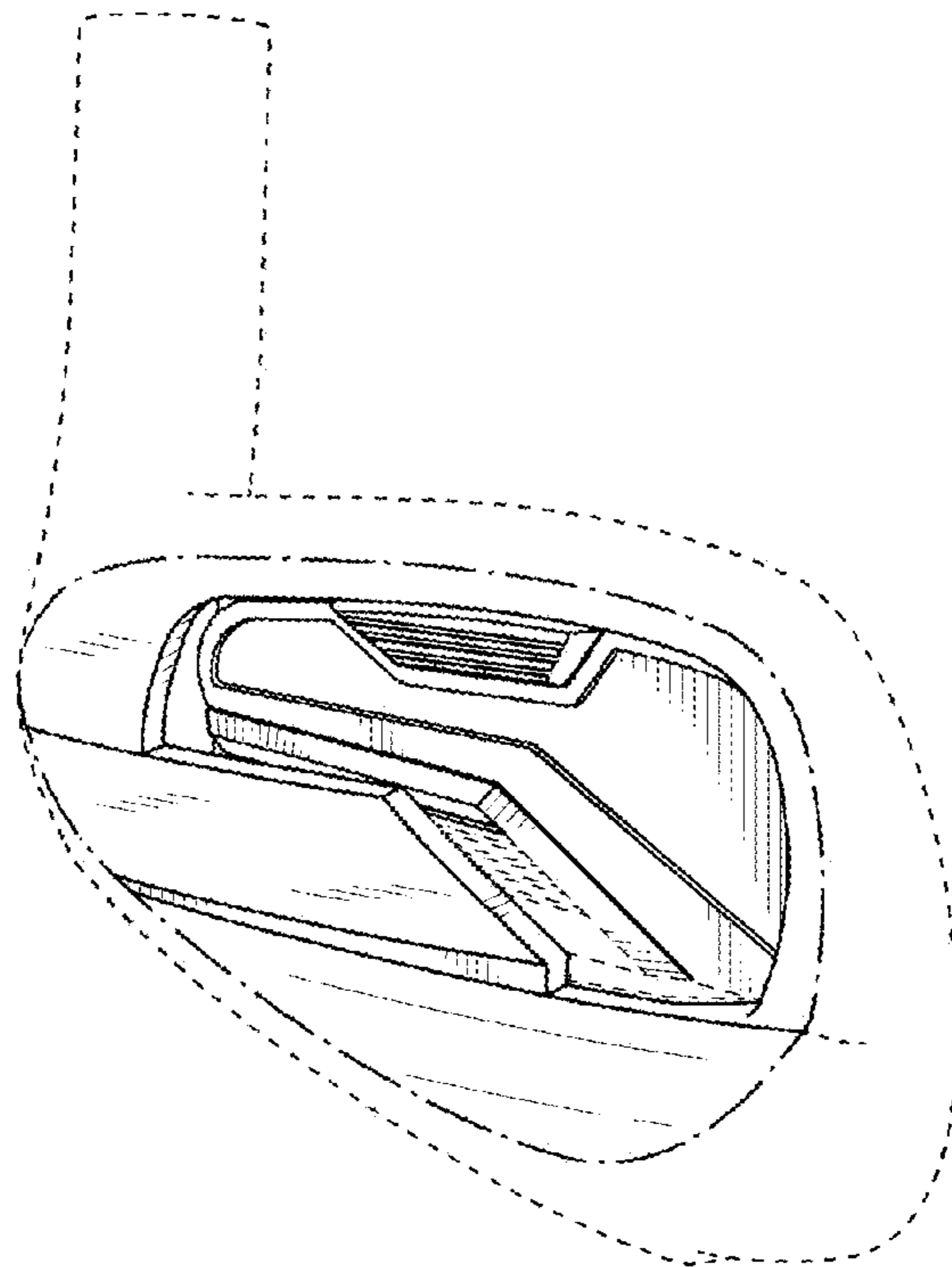


FIG. 2

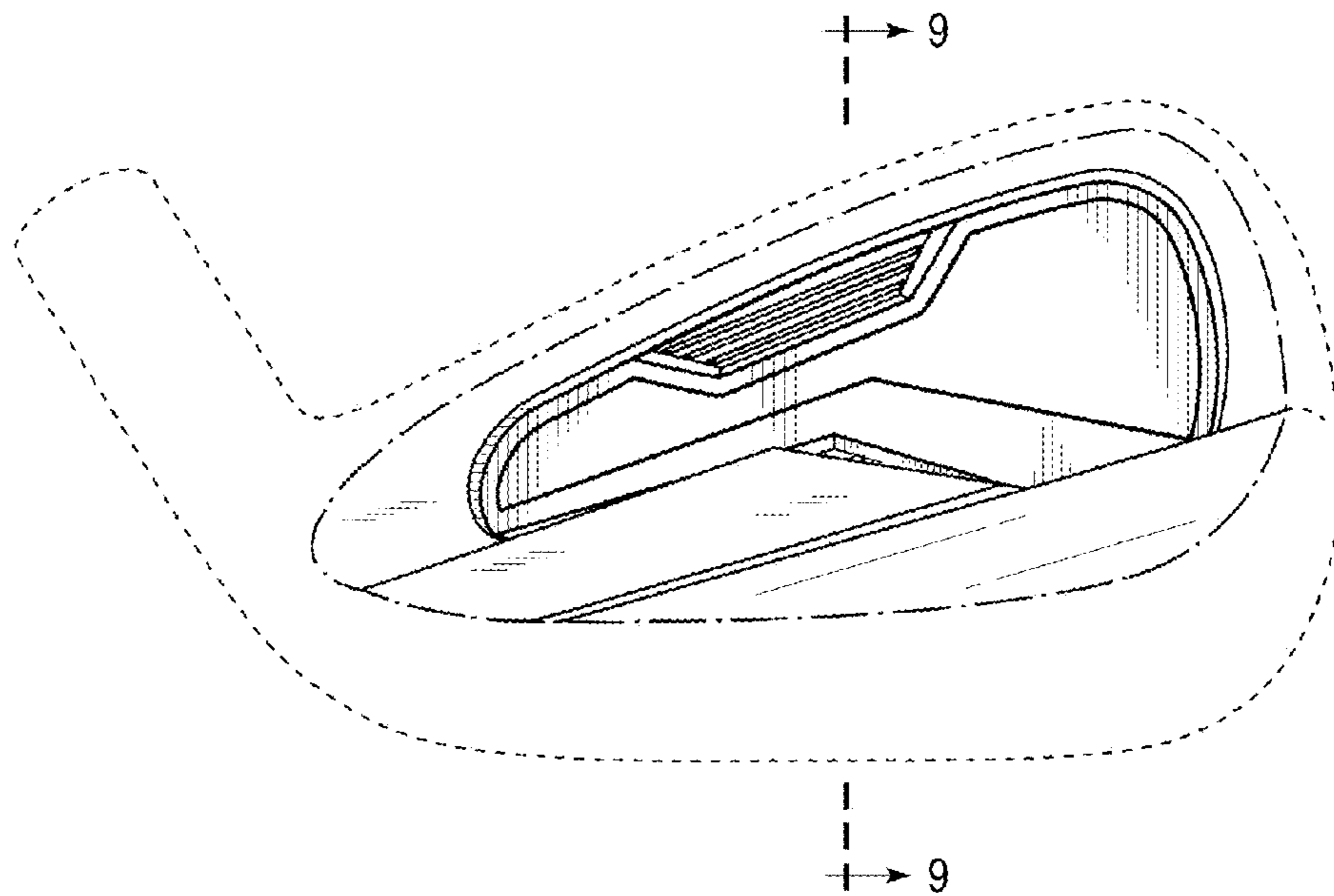


FIG. 3

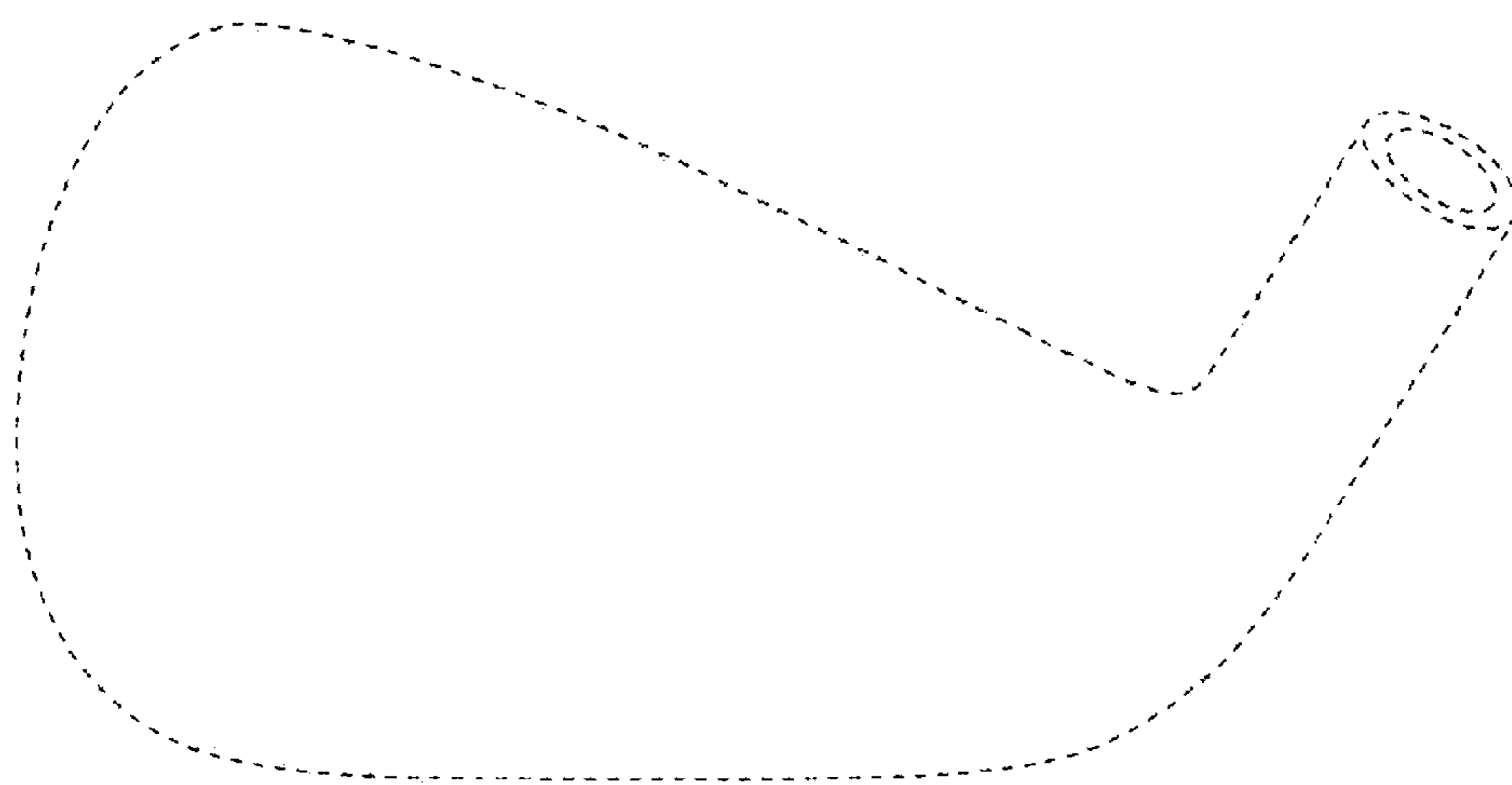


FIG. 4

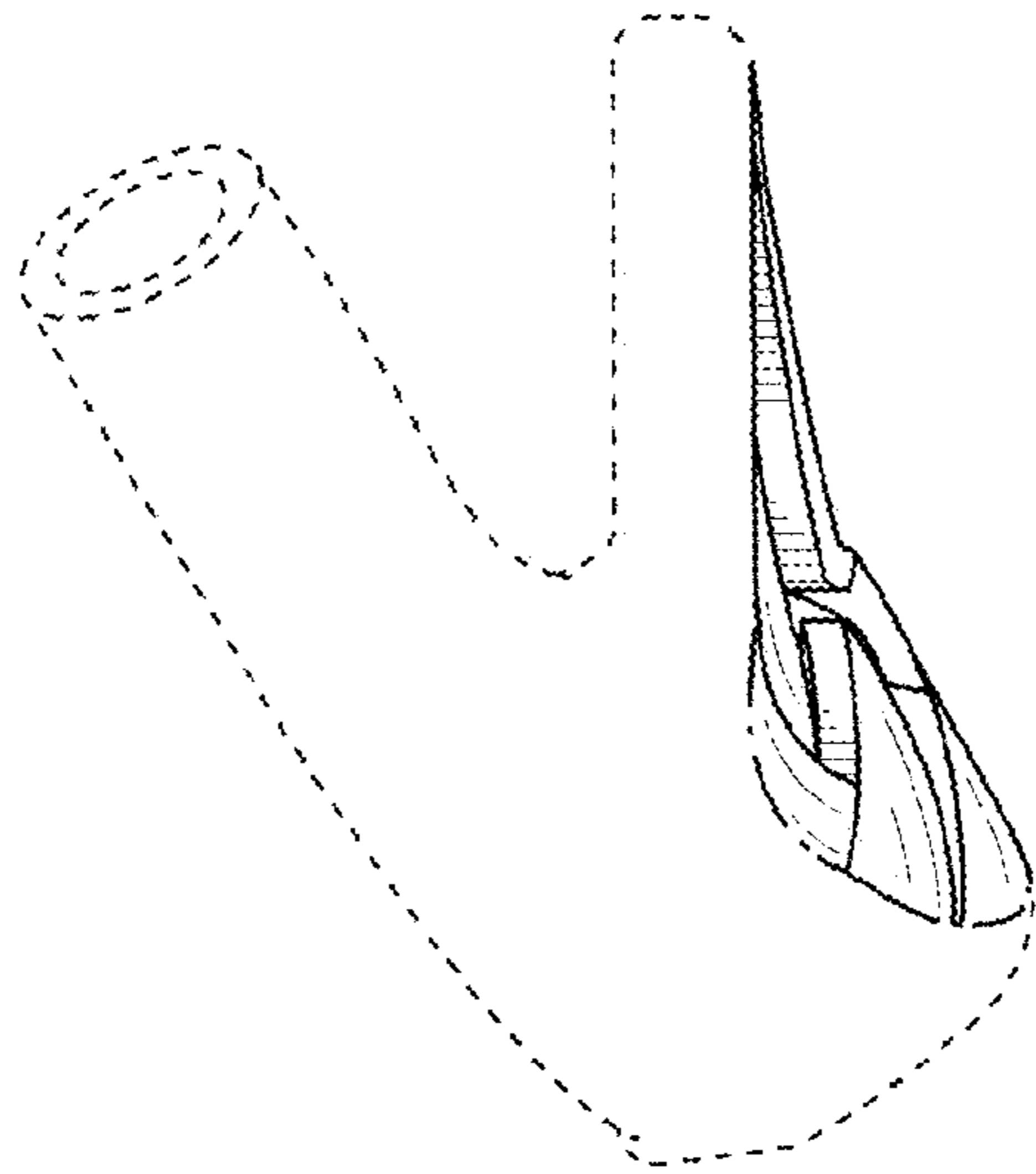


FIG. 5

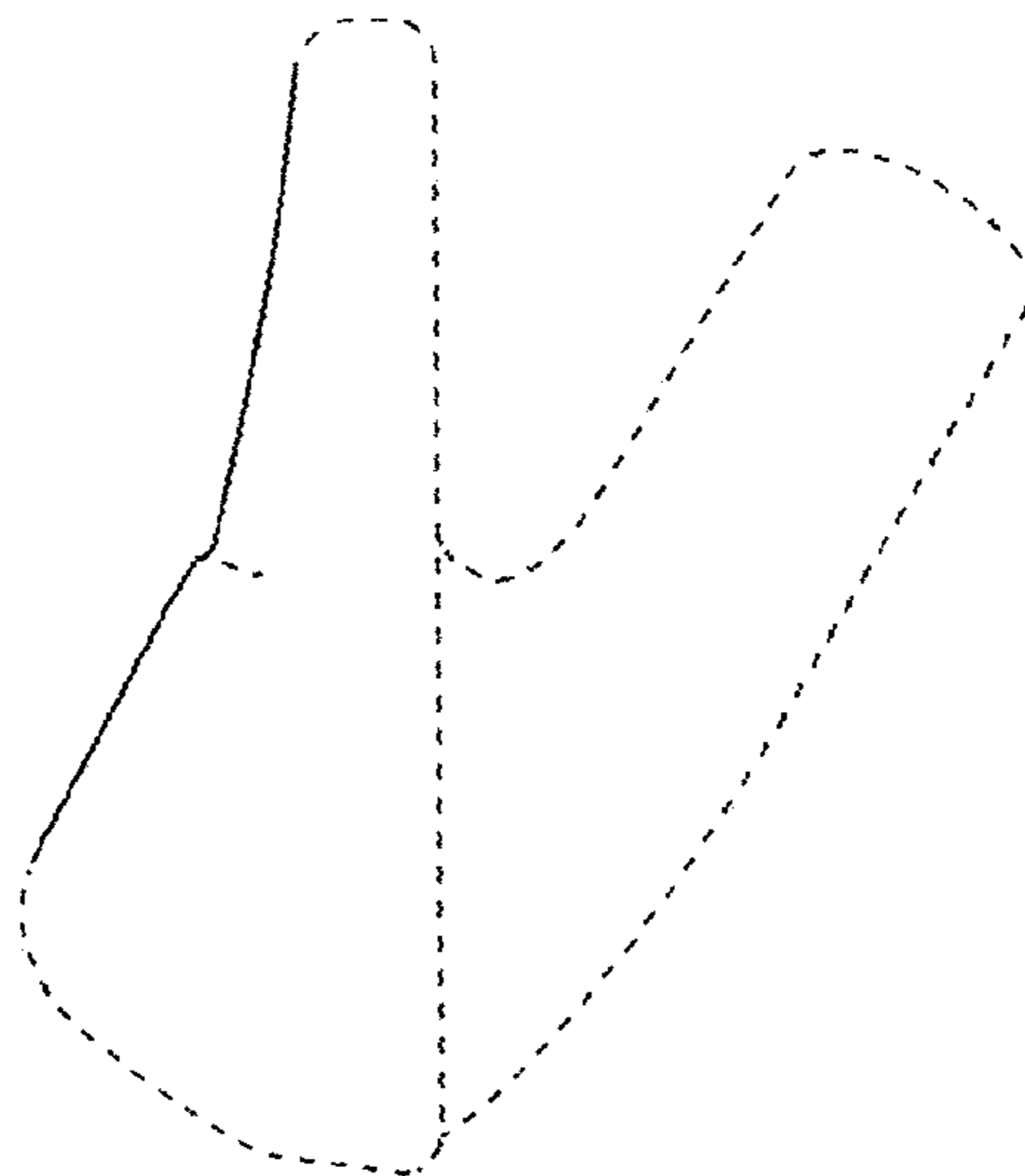


FIG. 6

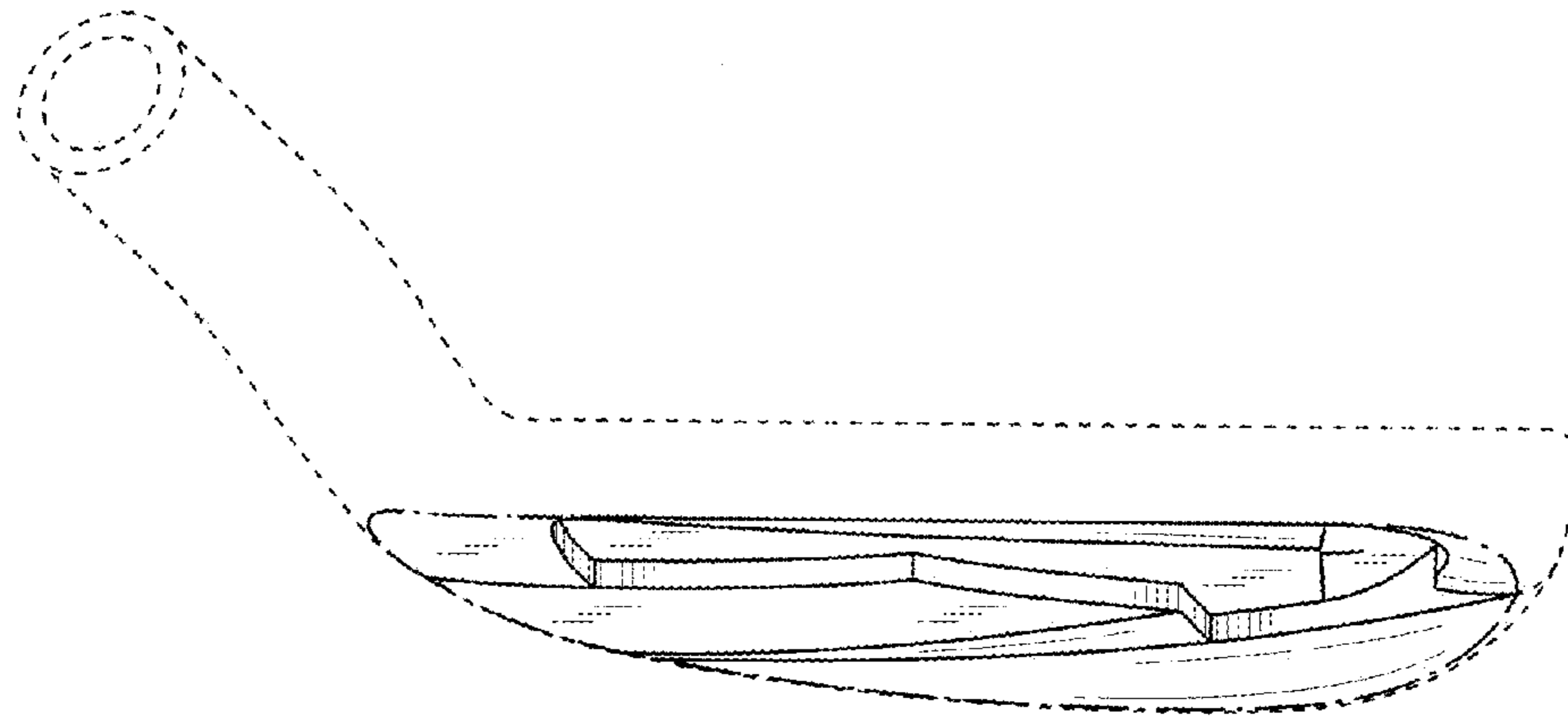


FIG. 7

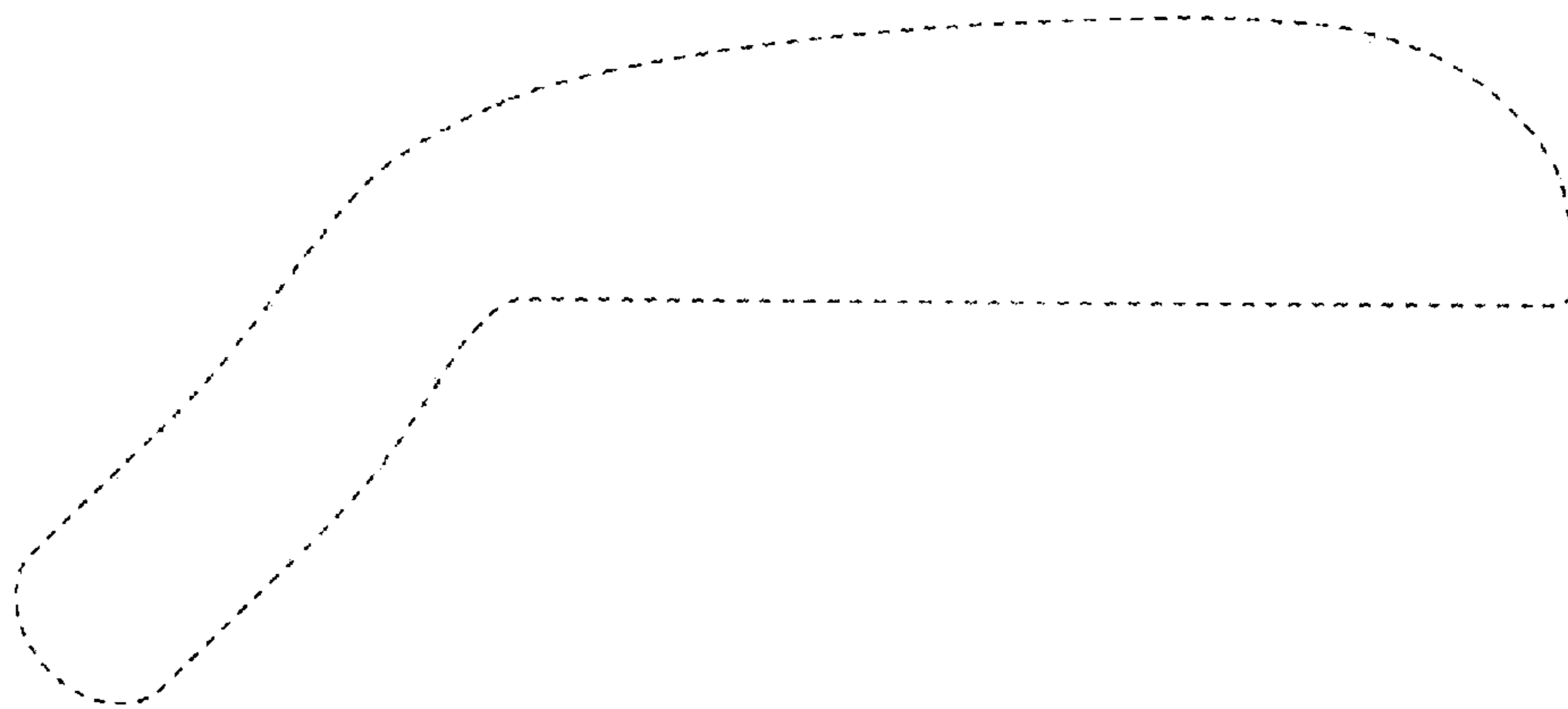


FIG. 8

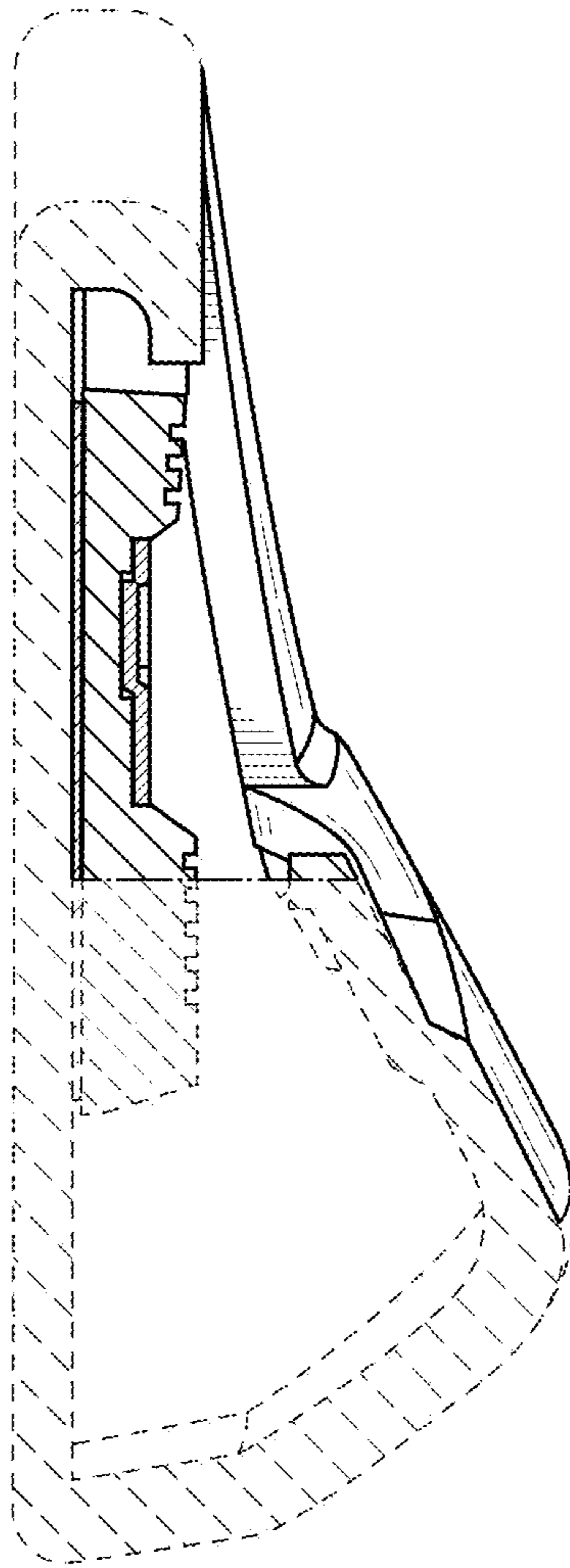


FIG. 9