



US00D767055S

(12) **United States Design Patent** (10) **Patent No.:** **US D767,055 S**
Randle, Sr. (45) **Date of Patent:** **** Sep. 20, 2016**

(54) **BASEBALL TRAINING AID**
(71) Applicant: **Allen R. Randle, Sr.**, Franklin, LA (US)
(72) Inventor: **Allen R. Randle, Sr.**, Franklin, LA (US)
(**) Term: **14 Years**
(21) Appl. No.: **29/526,007**
(22) Filed: **May 5, 2015**

D351,868 S * 10/1994 Pendergast D21/725
5,653,440 A 8/1997 Nolan
D406,624 S * 3/1999 Kennedy D21/725
6,050,910 A 4/2000 Holman et al.
6,379,261 B1 * 4/2002 Hart A63B 69/3623
473/288
D480,122 S * 9/2003 Ciesar D21/780
7,086,973 B2 8/2006 Wells et al.
D547,814 S * 7/2007 Sims D21/725
D691,680 S * 10/2013 Steele D21/725
D714,407 S * 9/2014 Santorelli D21/725
2010/0004077 A1 1/2010 Shimamoto et al.

* cited by examiner

Primary Examiner — Mitchell Siegel
(74) *Attorney, Agent, or Firm* — Robert C. Montgomery; Montgomery Patent and Design, LP.

Related U.S. Application Data

(63) Continuation-in-part of application No. 13/651,532, filed on Oct. 15, 2012, now abandoned.
(51) **LOC (10) Cl.** **21-02**
(52) **U.S. Cl.**
USPC **D21/725**
(58) **Field of Classification Search**
USPC D21/725, 753, 789
CPC A63B 69/0002; A63B 59/50–59/58; A63B 2069/0008
See application file for complete search history.

(57) **CLAIM**

The ornamental design for a baseball training aid, as shown and described.

DESCRIPTION

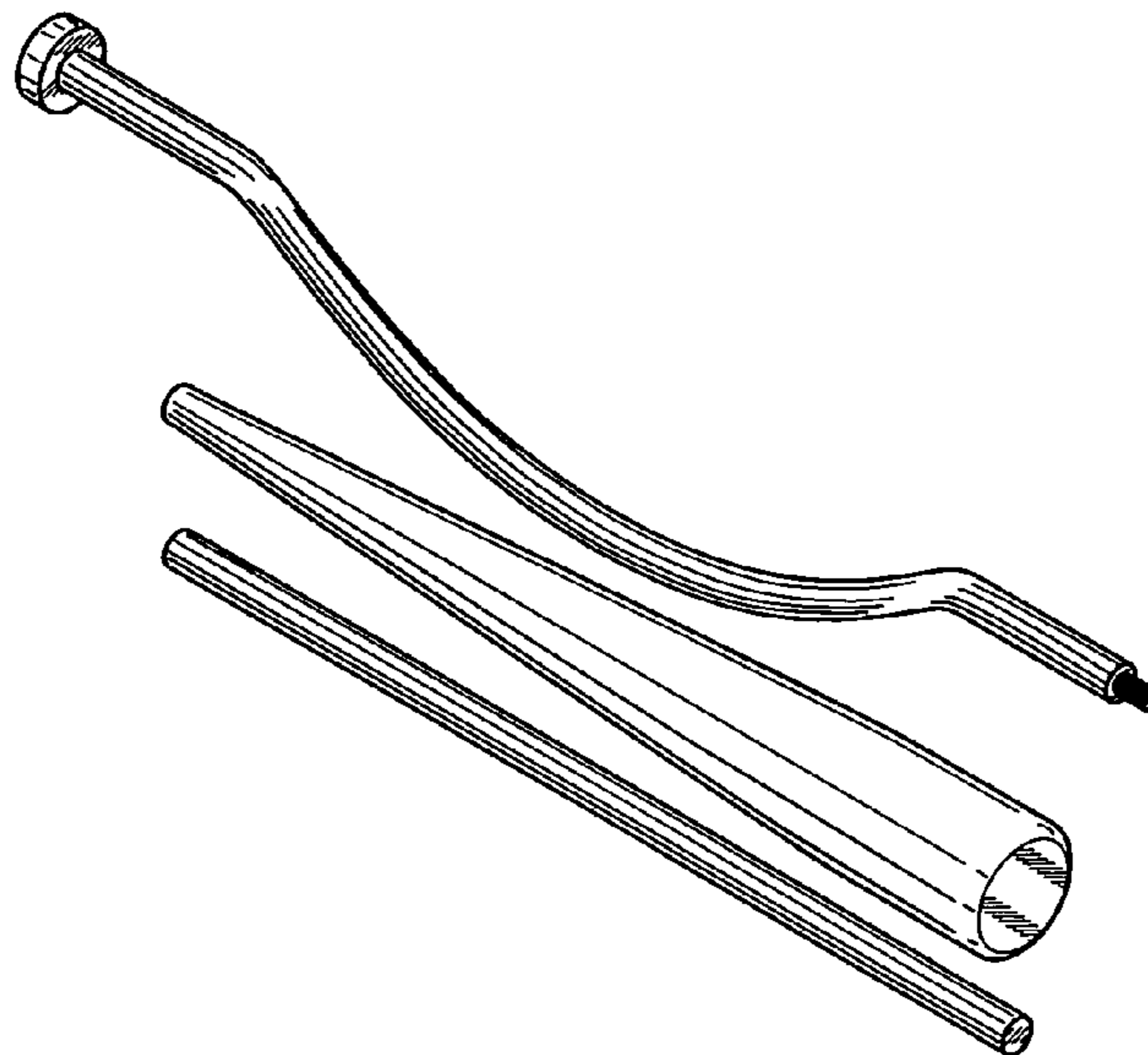
FIG. 1 is an exploded perspective view of a baseball training bat showing my new design;
FIG. 2 is an opposite end perspective view thereof;
FIG. 3 is a front side view thereof;
FIG. 4 is a back side view thereof;
FIG. 5 is left side view with the right side view being a mirror image thereof;
FIG. 6 is a top side view thereof; and,
FIG. 7 is a bottom side view thereof.
FIG. 8 is a left side view with the bat attachment attached with the right side view being a mirror image thereof; and,
FIG. 9 is a left side view with the bar attachment attached with the right side view being a mirror image thereof.

1 Claim, 8 Drawing Sheets

(56) **References Cited**

U.S. PATENT DOCUMENTS

430,388 A * 6/1890 Kinst A63B 59/50
473/564
D197,180 S * 12/1963 Salisbury D21/725
3,246,894 A * 4/1966 Salisbury A63B 69/0002
473/256
D259,501 S * 6/1981 Salisbury D21/725
D263,863 S * 4/1982 Golab D21/725
4,634,121 A 1/1987 Sasaki
4,768,785 A 9/1988 Patterson



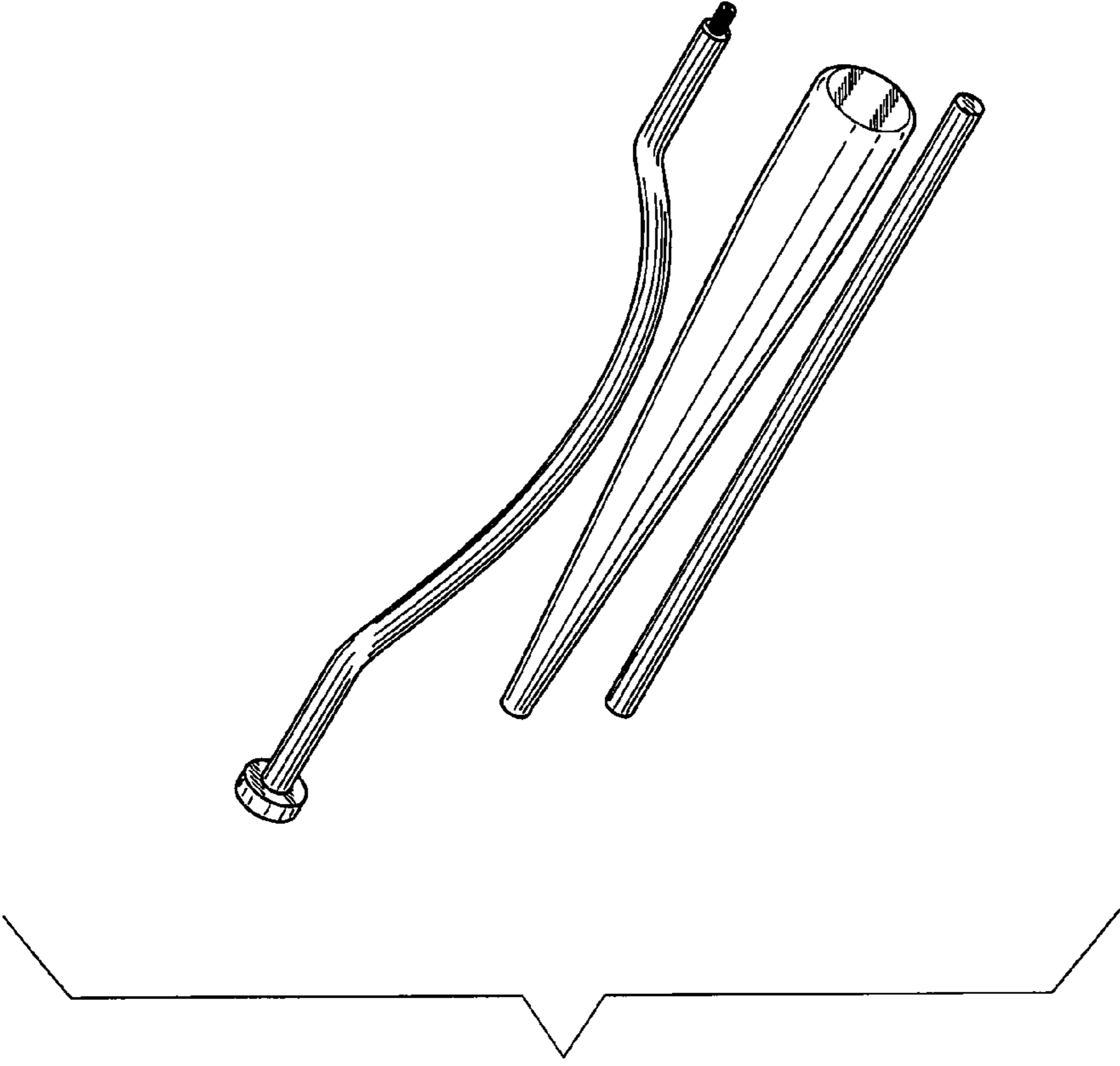


FIG. 1

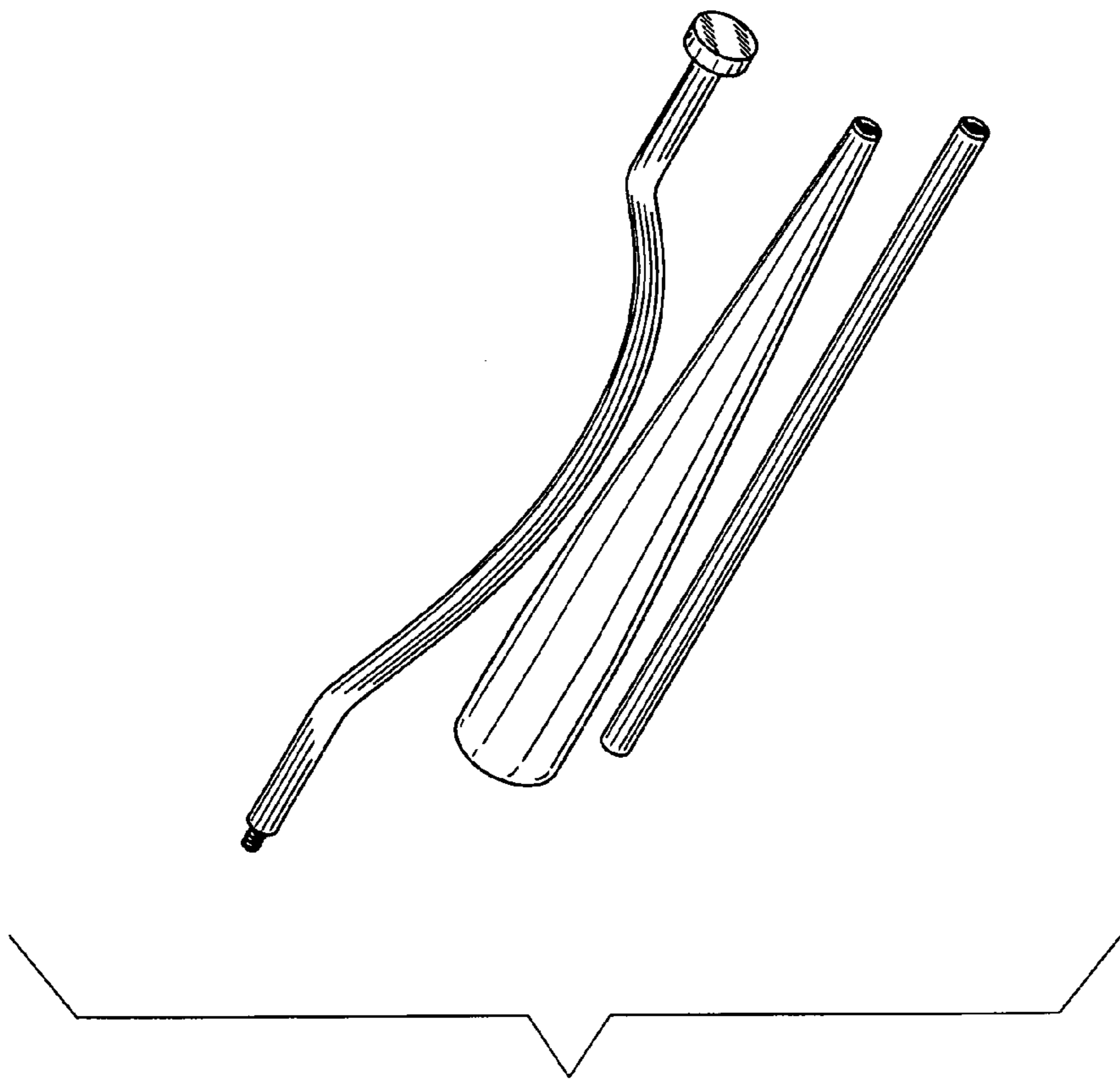


FIG. 2

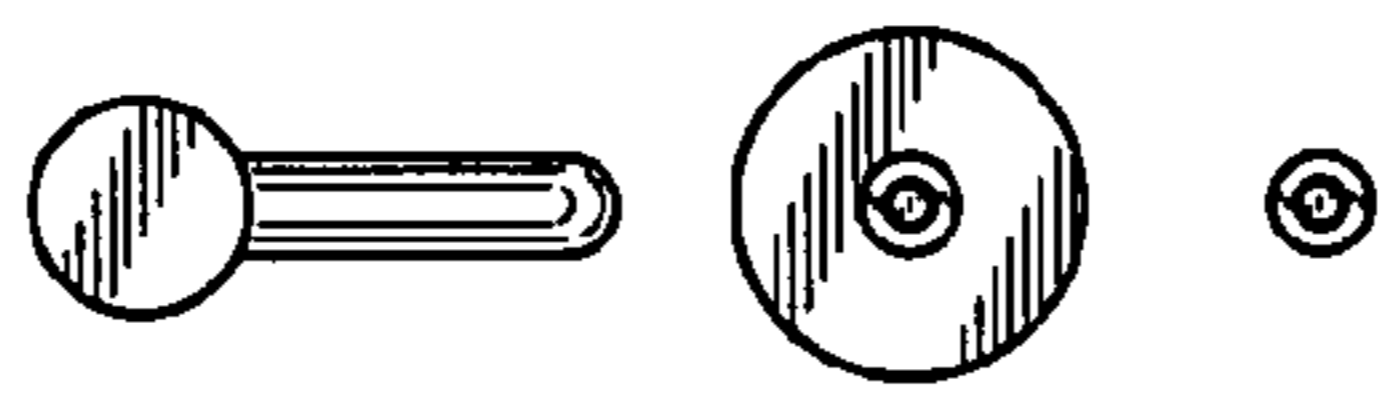


FIG. 4

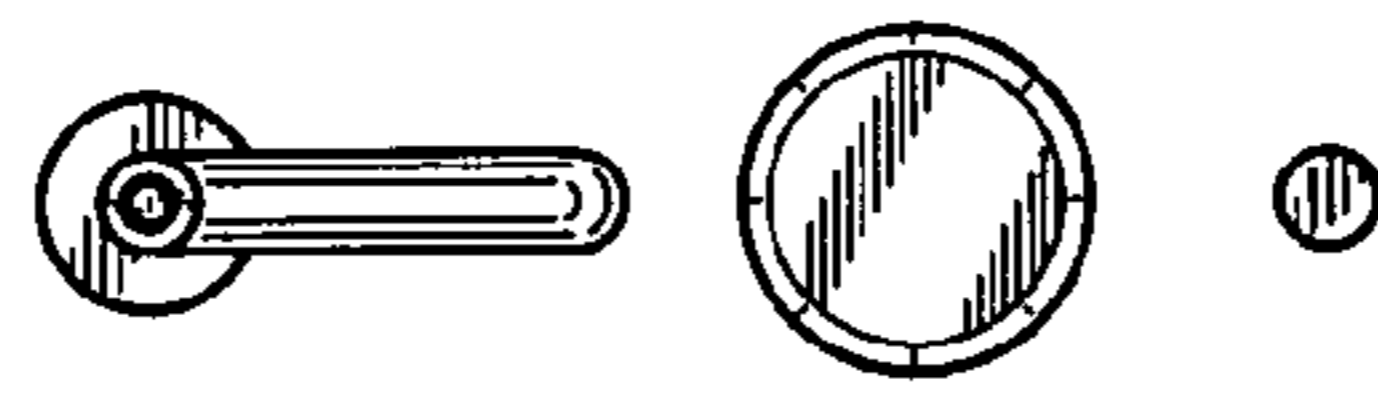


FIG. 3

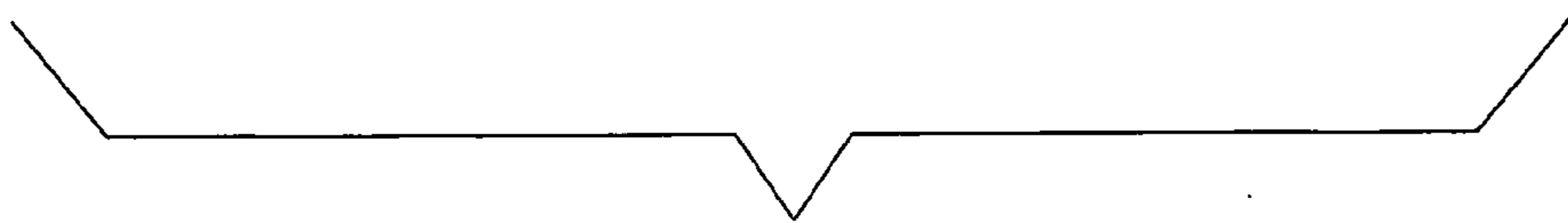
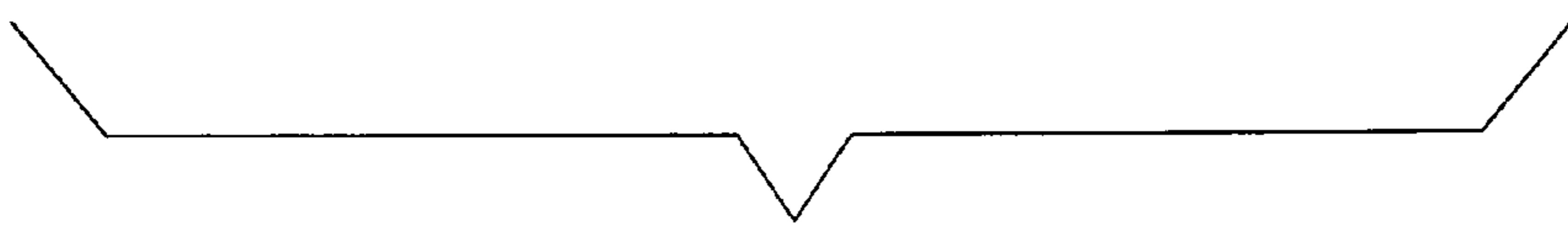




FIG. 5



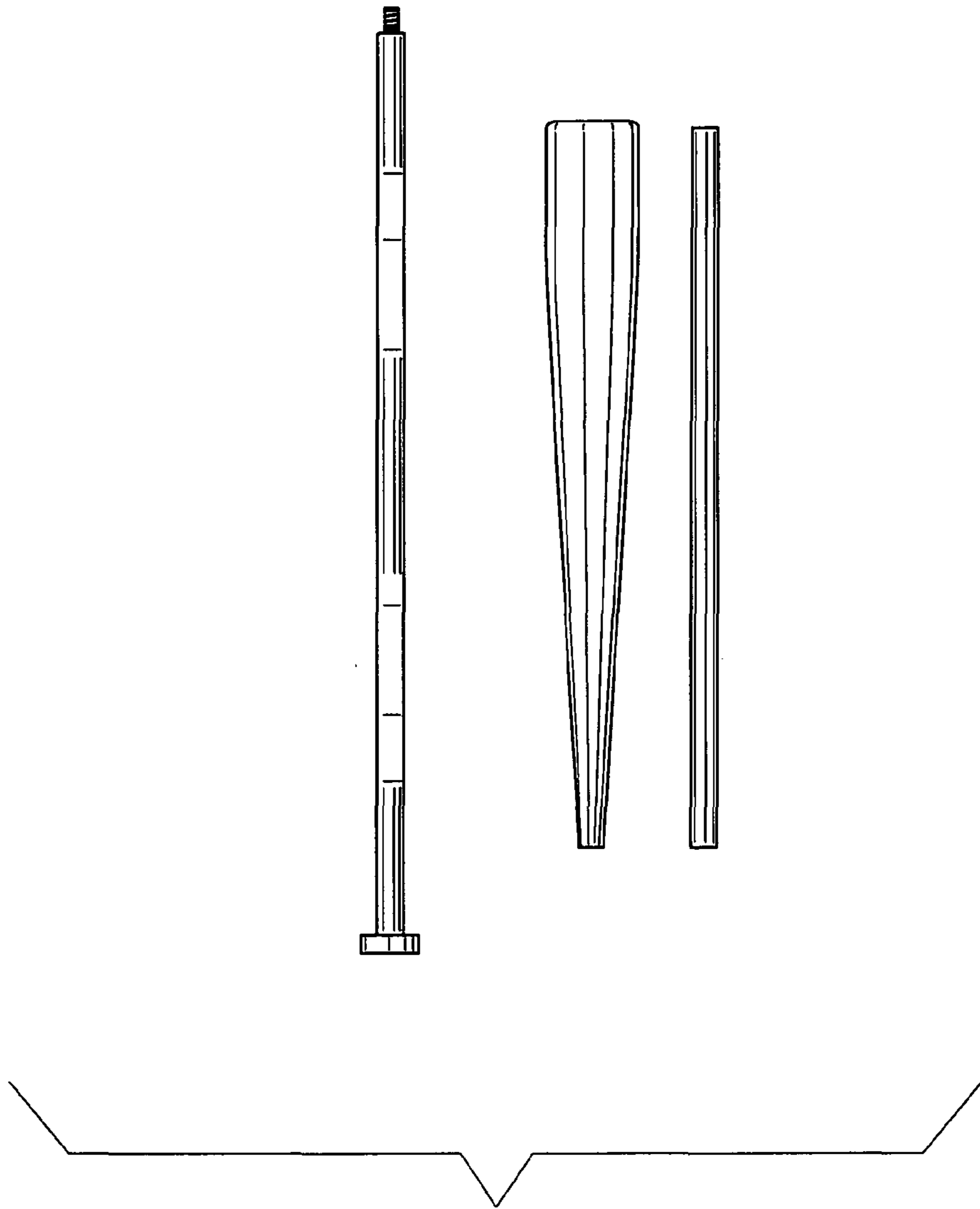


FIG. 6

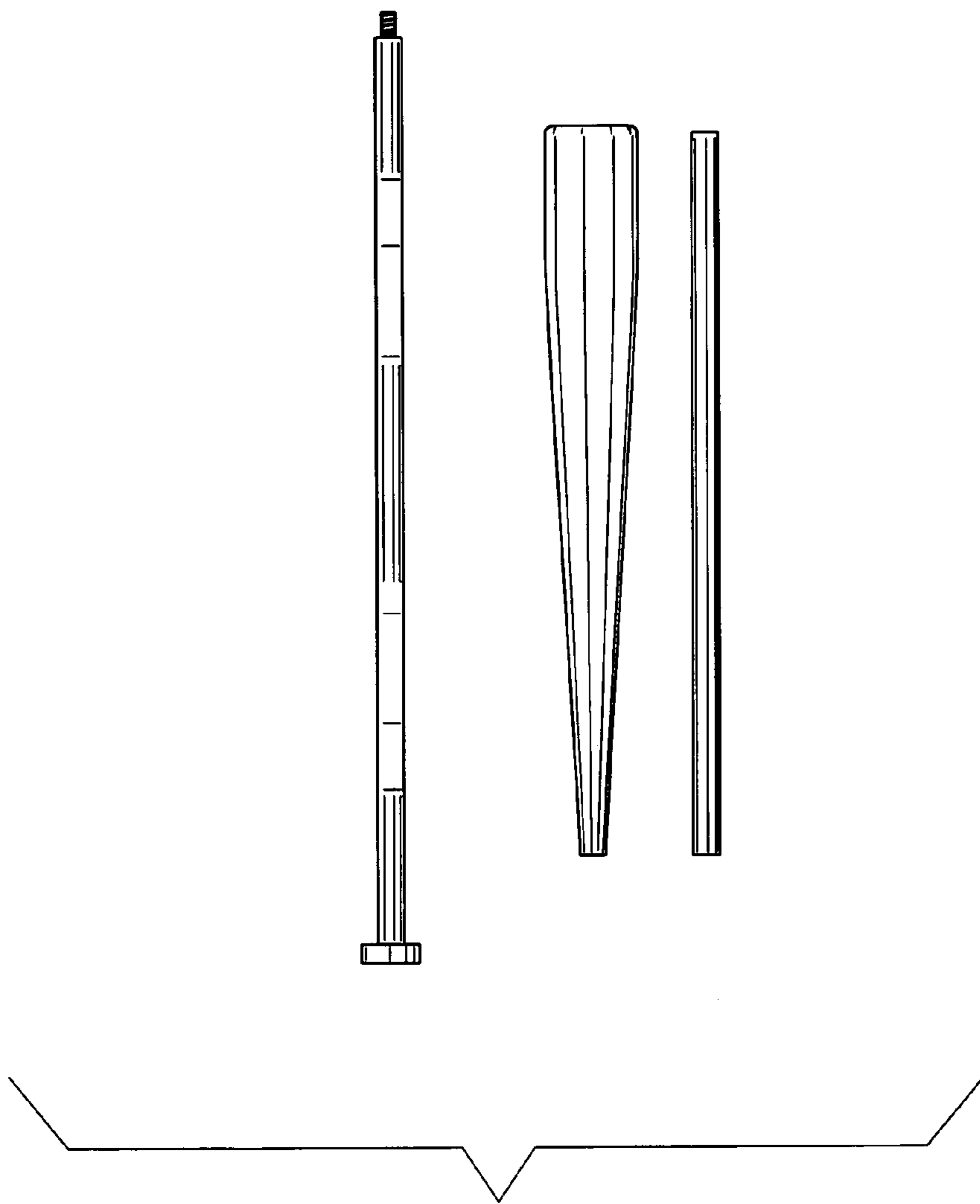


FIG. 7

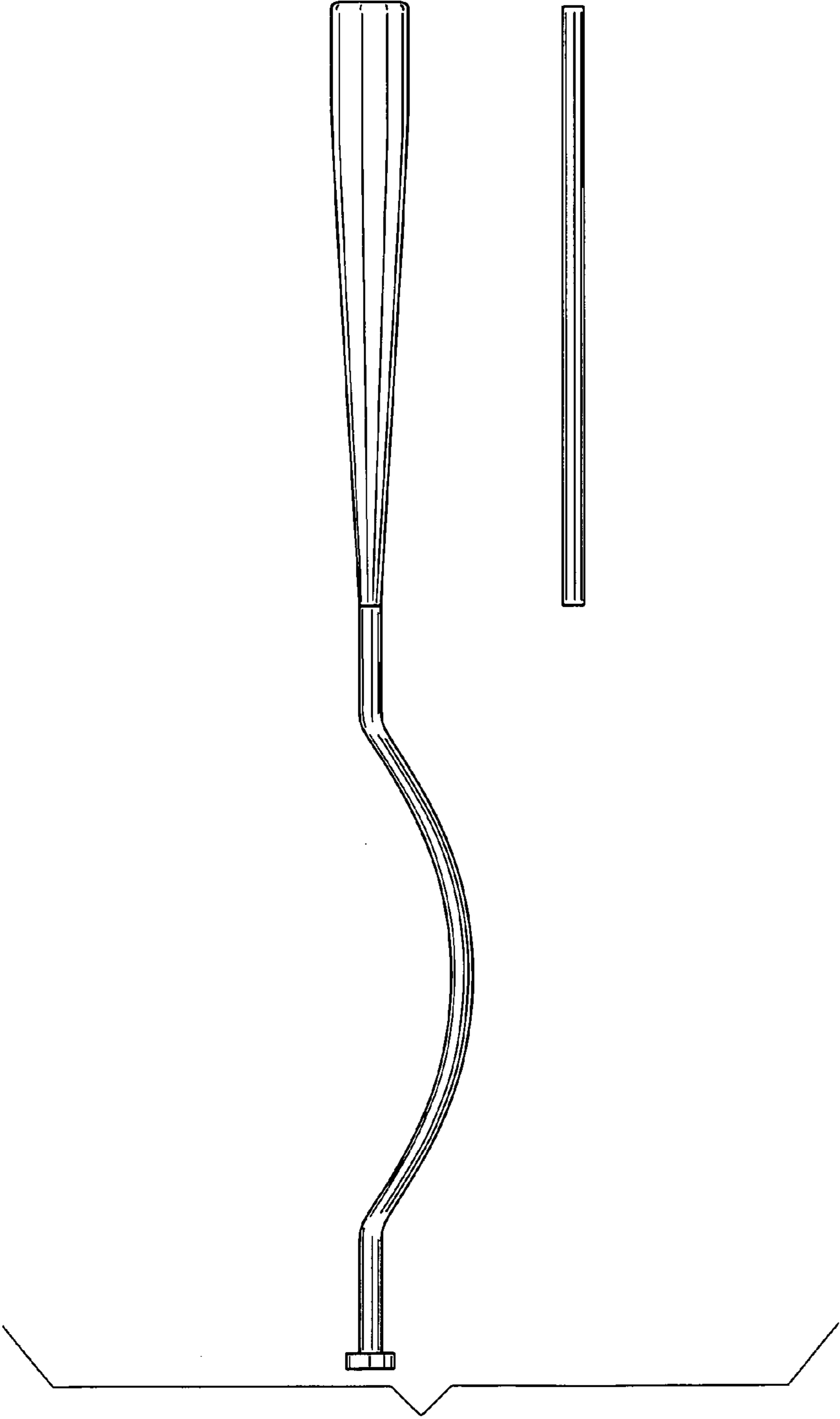


FIG. 8

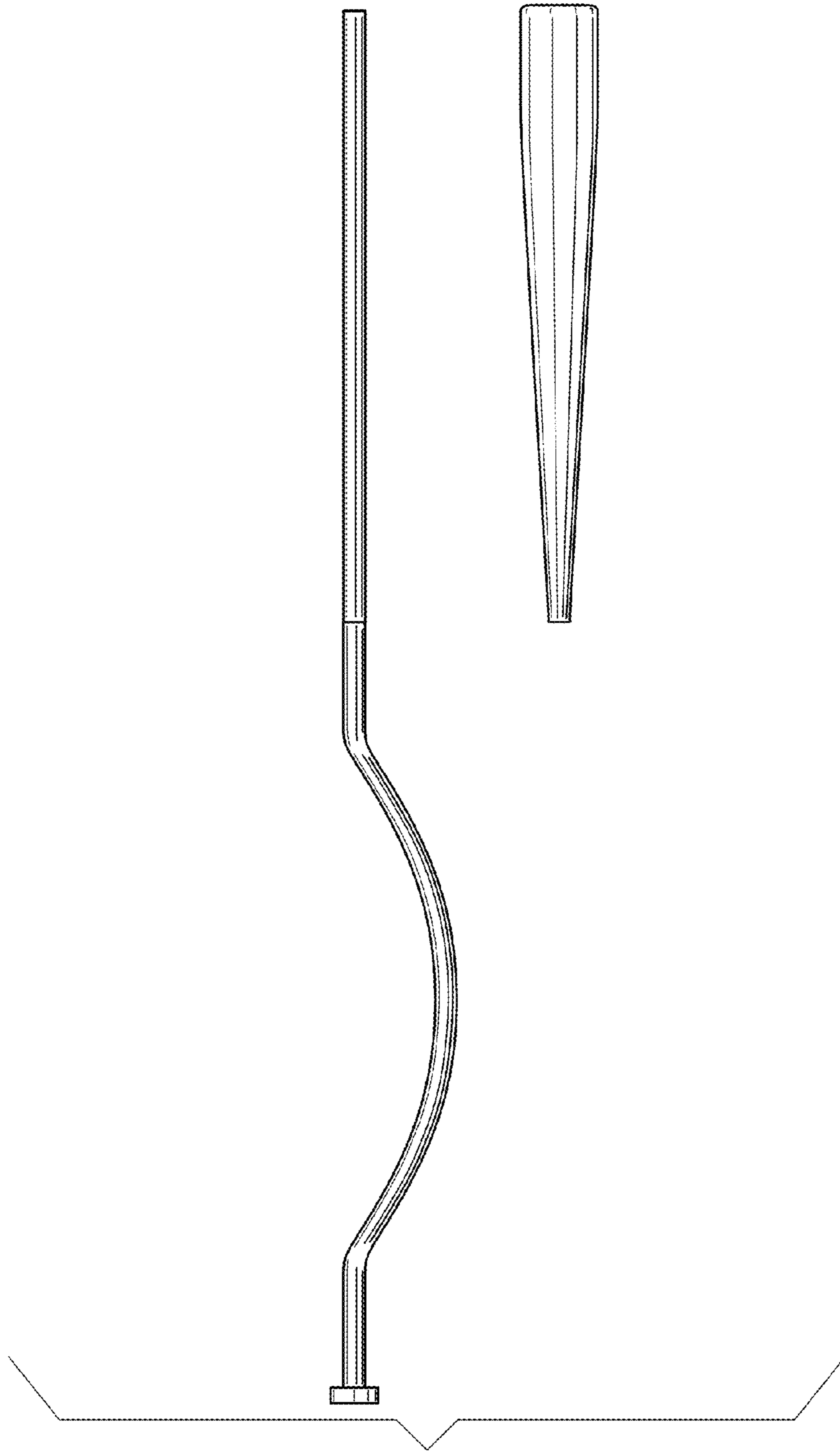


FIG. 9