



US00D767054S

(12) **United States Design Patent** (10) **Patent No.:** **US D767,054 S**
Tucci (45) **Date of Patent:** **** Sep. 20, 2016**

(54) **GOLF BALL RETRIEVER WITH ELASTIC STRAP**

(71) Applicant: **Louis M. Tucci**, Marion, IN (US)

(72) Inventor: **Louis M. Tucci**, Marion, IN (US)

(**) Term: **14 Years**

(21) Appl. No.: **29/506,398**

(22) Filed: **Oct. 15, 2014**

Related U.S. Application Data

(63) Continuation-in-part of application No. 29/421,843, filed on Oct. 3, 2012, now abandoned.

(51) **LOC (10) Cl.** **21-02**

(52) **U.S. Cl.**
USPC **D21/721**

(58) **Field of Classification Search**

USPC D21/715, 717, 718, 721, 723, 753, 759, D21/789, 793, 796; D8/14, 26-29, 41-43, D8/300, 301, 310, DIG. 6, DIG. 7; 473/283-286, 298, 299, 306, 386-408, 473/503, 569; 294/19.2, 19.3, 183, 184, 294/188, 189, 99.1, 209

CPC A63B 47/02
See application file for complete search history.

(56) **References Cited**

U.S. PATENT DOCUMENTS

1,658,145	A *	2/1928	Uyei	294/19.2
2,551,486	A *	5/1951	Burden	294/19.2
D196,925	S *	11/1963	Strickland	D21/721
4,522,438	A *	6/1985	Logue	294/19.2
4,663,996	A *	5/1987	Grudgfield et al.	81/53.11
5,004,240	A *	4/1991	Tsukamoto	473/286
5,328,174	A *	7/1994	Reeder	473/239
5,335,953	A *	8/1994	Luther, Sr.	294/19.2
5,460,366	A	10/1995	Pugh	
5,634,680	A *	6/1997	Green	294/19.2
5,765,647	A *	6/1998	Hood	172/371

5,772,533	A *	6/1998	Dahlmann	473/386
6,050,625	A *	4/2000	Nisbet	294/19.2
D444,192	S *	6/2001	Frizelle	D21/721
6,638,177	B1 *	10/2003	Wang	473/286
D497,656	S	10/2004	Maraschiello	
6,852,040	B1	2/2005	Williams	
D524,886	S *	7/2006	Baril	D21/721
D553,705	S *	10/2007	Barouh	D21/793
D570,256	S	6/2008	Tucker	
D606,603	S *	12/2009	Compton	D21/721
8,152,657	B2 *	4/2012	Green	473/386
8,382,173	B2 *	2/2013	Bingham	294/19.2
8,801,534	B1 *	8/2014	Rydberg	473/286
2002/0132680	A1 *	9/2002	Ly	473/286
2006/0063616	A1 *	3/2006	Nye et al.	473/451
2007/0259731	A1	11/2007	Barouh	

* cited by examiner

Primary Examiner — Catherine Tuttle

(74) *Attorney, Agent, or Firm* — Frank D. Lachenmaier

(57) **CLAIM**

The ornamental design for a golf ball retriever with elastic strap, as shown and described.

DESCRIPTION

FIG. 1 is a perspective view of a golf ball retriever with elastic strap showing my new design mounted on the arm rest of a golf cart.

FIG. 2 is a top view looking from the handle.

FIG. 3 is a front view thereof.

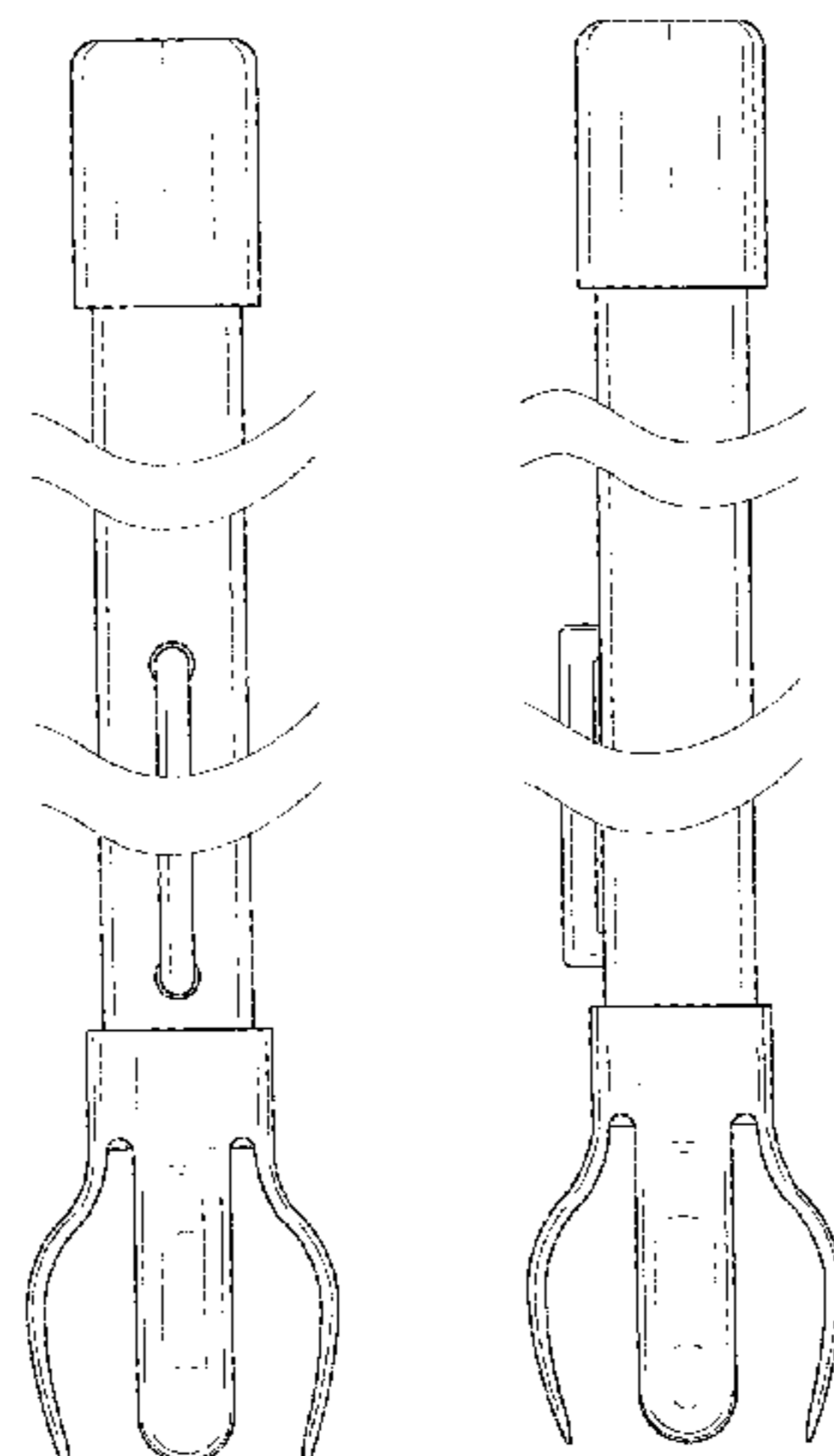
FIG. 4 is a side view thereof.

FIG. 5 is a bottom view thereof; and,

FIG. 6 is a back view thereof.

The circular broken line in FIG. 5 representing the inside diameter of the tube that the retriever is mounted on forms no part of the claimed design. The broken line showing the outline of the golf cart is for illustrative purposes only and forms no part of the claimed design. The design is shown partially broken away in FIGS. 3-5 and FIG. 6 for ease of illustration.

1 Claim, 3 Drawing Sheets



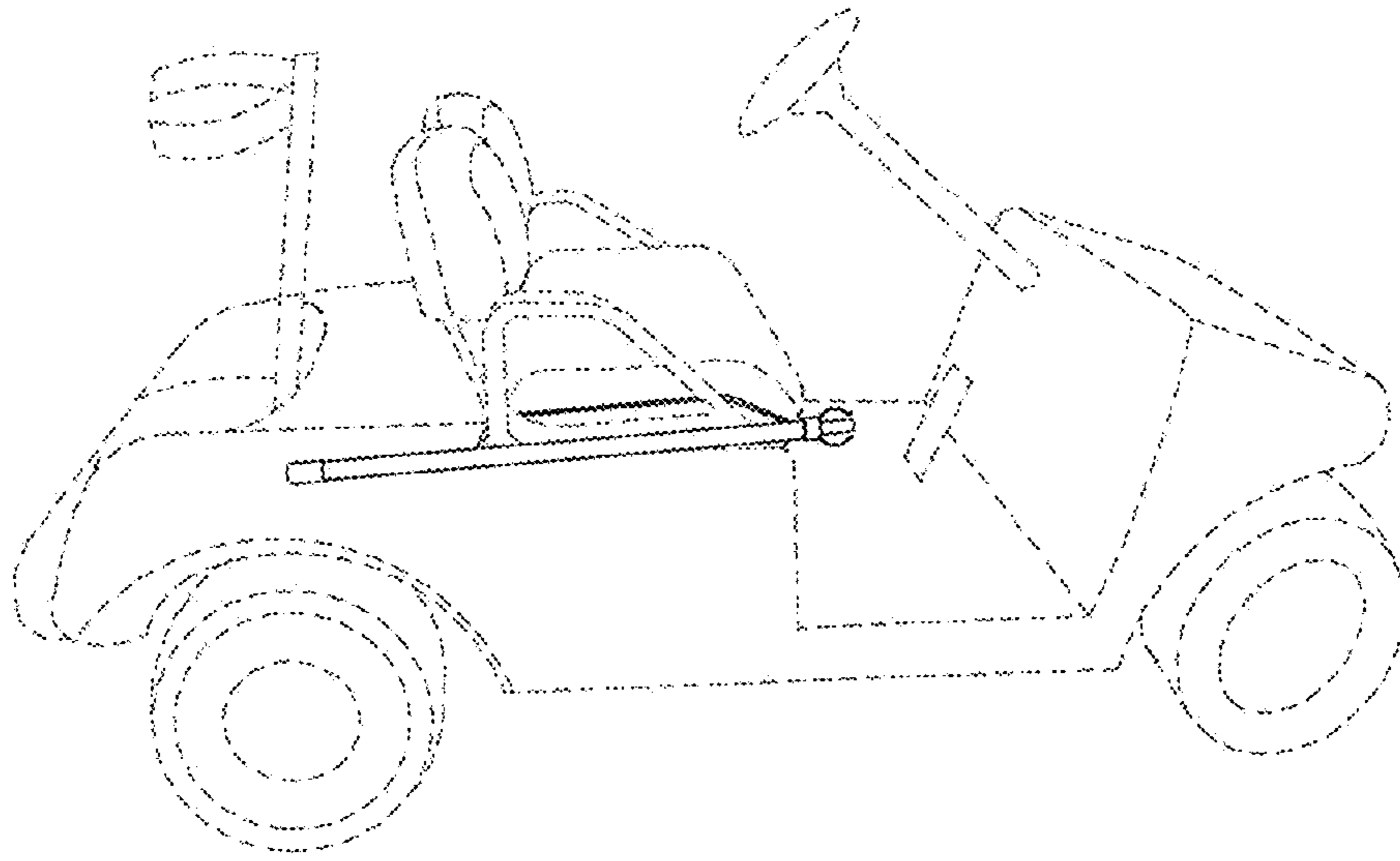


FIG 1

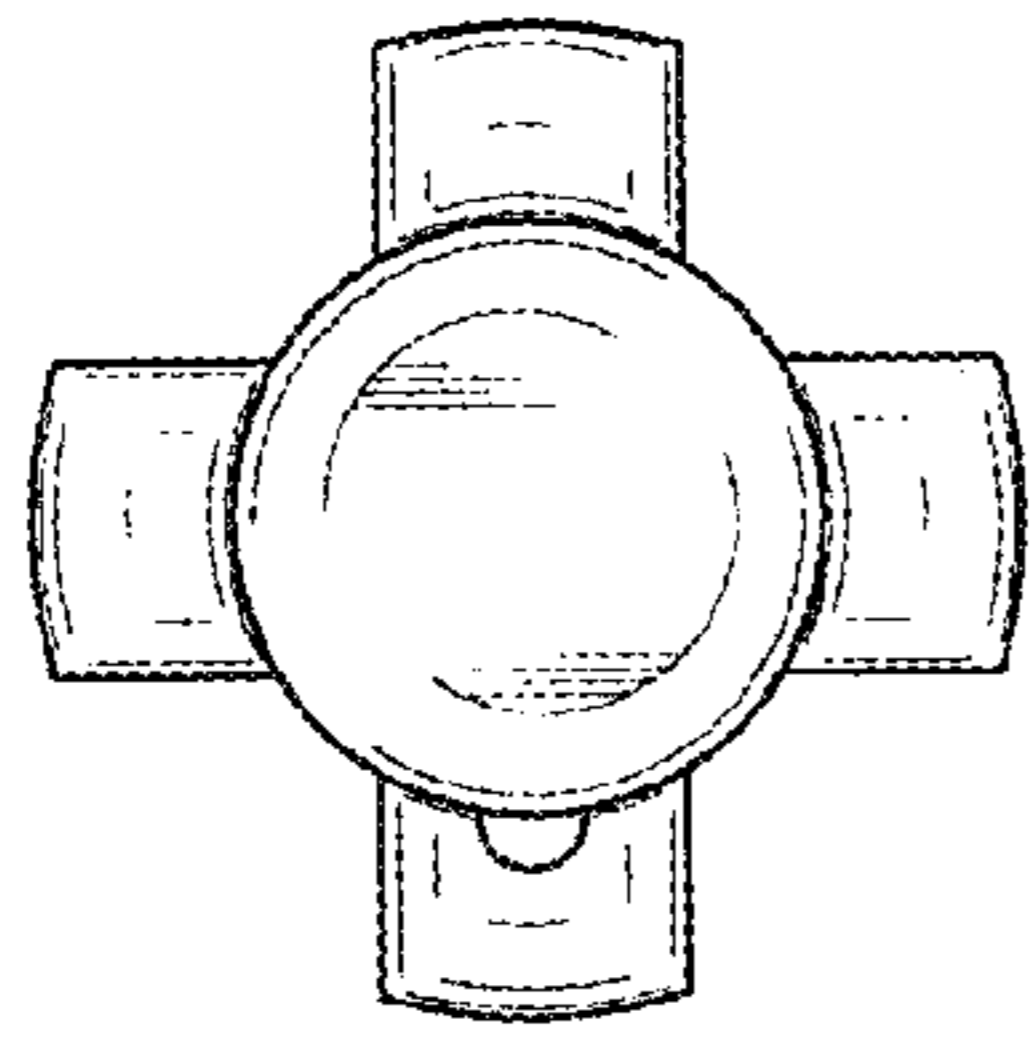


FIG 2

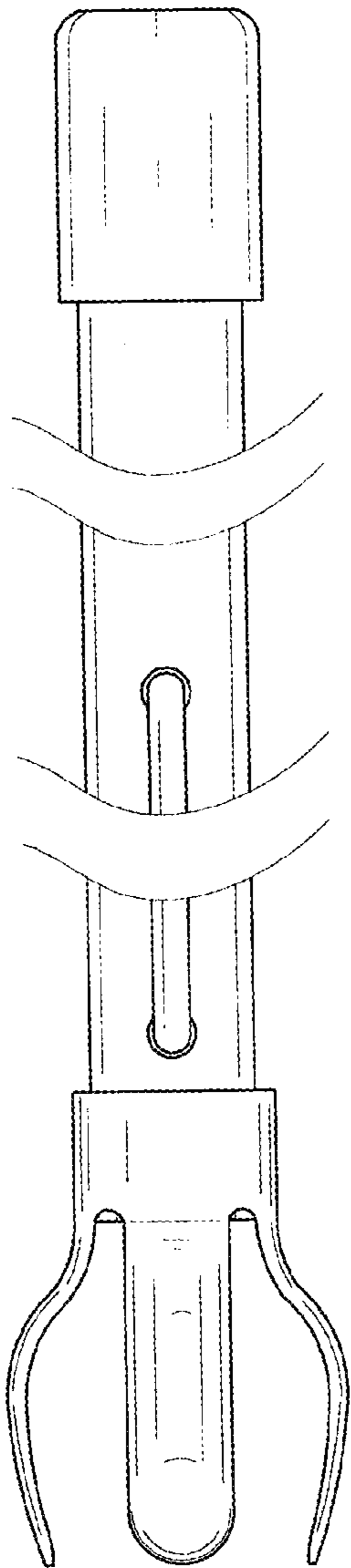


FIG 3

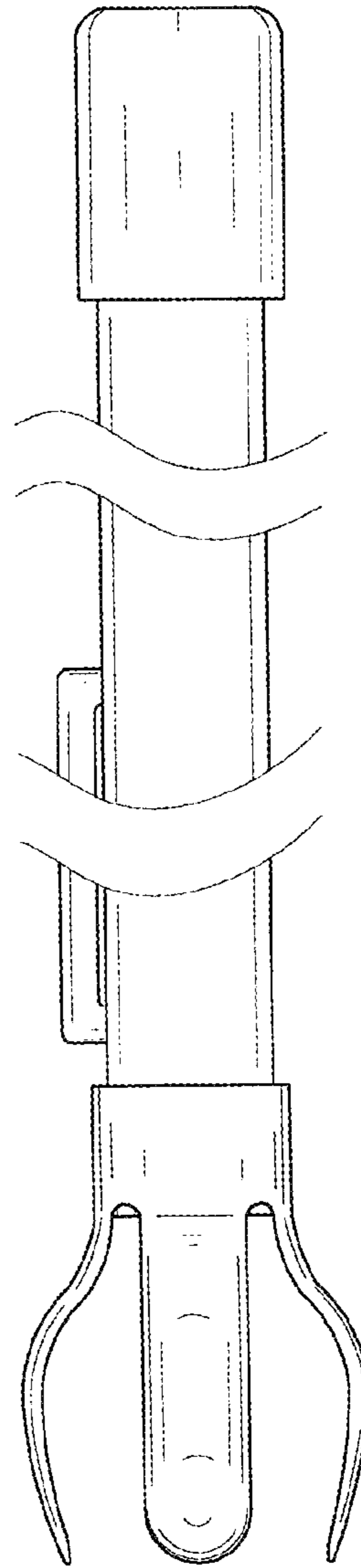


FIG 4

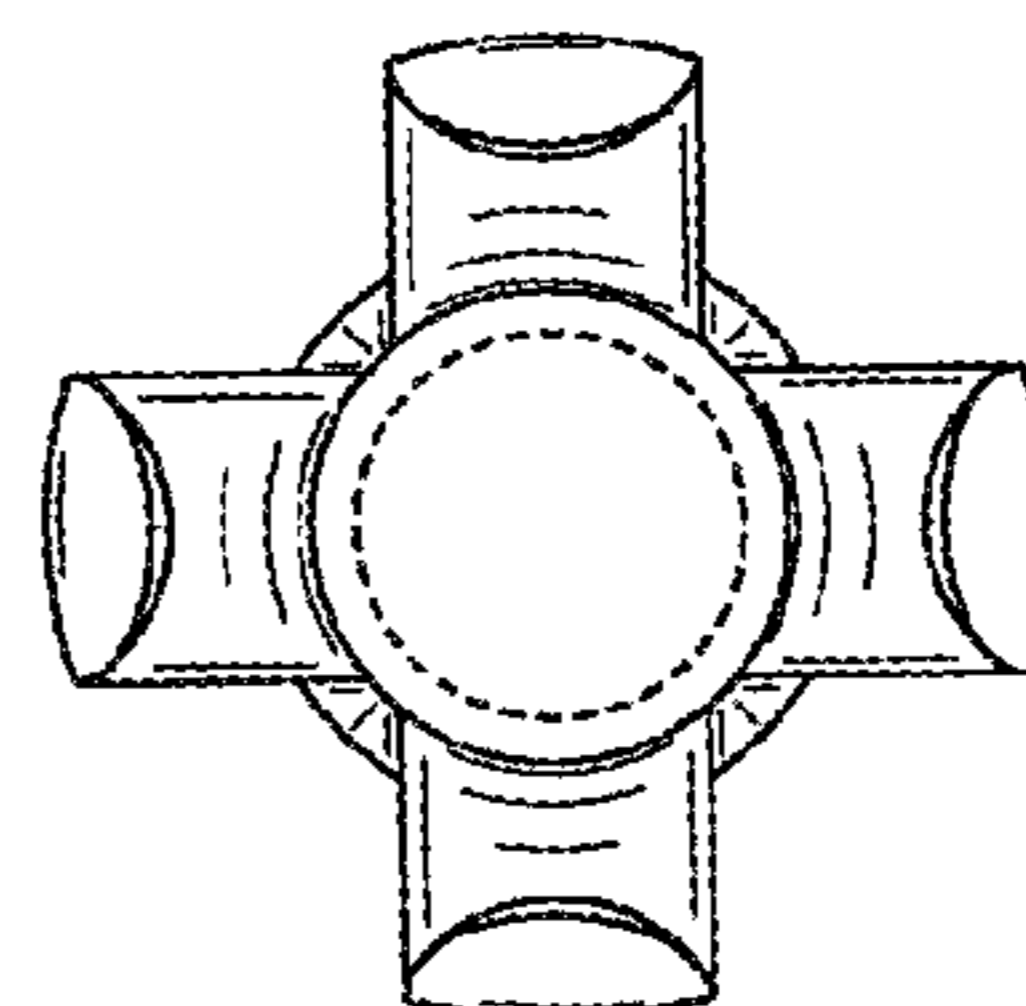


FIG 5

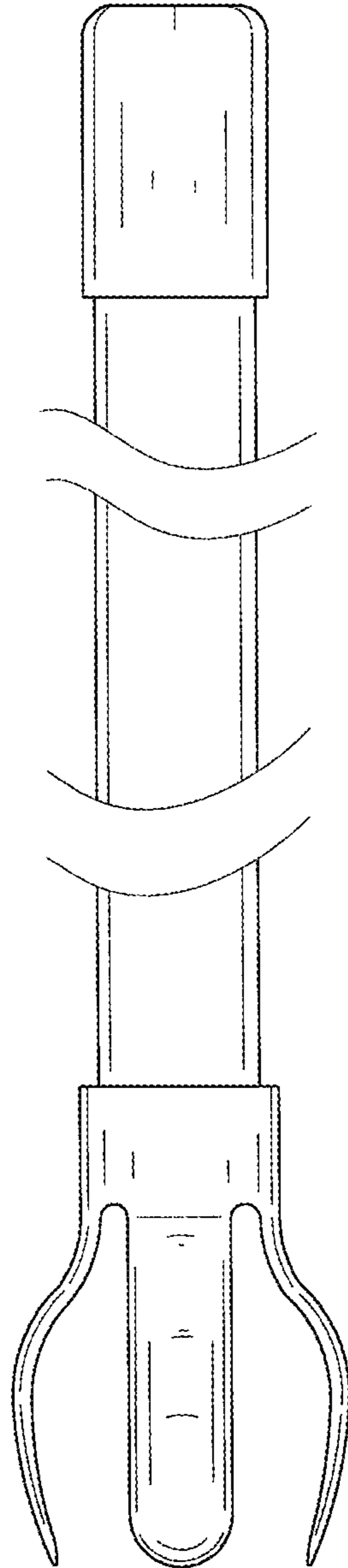


FIG 6