



US00D767049S

(12) **United States Design Patent**
Flick et al.

(10) **Patent No.:** **US D767,049 S**
(45) **Date of Patent:** **** Sep. 20, 2016**

- (54) **EXERCISE BIKE**
- (71) Applicant: **NAUTILUS, INC.**, Vancouver, WA (US)
- (72) Inventors: **Edward L. Flick**, Brush Prairie, WA (US); **Bryce C. Baker**, Vancouver, WA (US); **Bryan W. Hamilton**, Vancouver, WA (US); **Rasmey Yim**, Vancouver, WA (US)
- (73) Assignee: **NAUTILUS, INC.**, Vancouver, WA (US)
- (**) Term: **14 Years**
- (21) Appl. No.: **29/516,441**
- (22) Filed: **Feb. 2, 2015**
- (51) **LOC (10) Cl.** **21-02**
- (52) **U.S. Cl.**
USPC **D21/667**
- (58) **Field of Classification Search**
USPC D21/667, 665, 697, 663, 694, 666, 698, D21/664; 482/59, 62, 908, 64, 63, 53, 61, 482/57, 58, 127, 133, 51, 9, 60, 904, 8, 1, 482/900; 74/48, 594.1, 594.2, 502.4, 502.6; D23/382, 381, 378, 412, 411; D13/115; D15/7; D12/345, 178, 411
CPC Y10T 74/2164; A63B 22/0605; A63B 69/16; A63B 21/225; A63B 22/001; B62M 3/00
See application file for complete search history.

(56) **References Cited**

U.S. PATENT DOCUMENTS

- 4,188,030 A * 2/1980 Hooper A63B 22/001 482/59
- D272,182 S * 1/1984 Fowler D23/412
- 4,824,102 A * 4/1989 Lo A63B 21/157 482/59
- 4,880,225 A * 11/1989 Lucas A63B 22/0605 482/59
- D306,330 S * 2/1990 Lucas D21/665

- D307,167 S * 4/1990 Lucas D21/665
- D307,614 S * 5/1990 Bingham D21/667
- D307,615 S * 5/1990 Bingham D21/665
- 4,932,649 A * 6/1990 Chen A63B 21/012 482/59
- D311,233 S * 10/1990 Hornung D21/697
- 4,961,569 A * 10/1990 Roberge F16B 7/00 482/59
- 4,961,570 A * 10/1990 Chang A63B 22/0056 482/53
- 4,971,316 A * 11/1990 Dalebout A63B 22/0605 482/59

(Continued)

OTHER PUBLICATIONS

Airdyne AD Pro by Schwinn dated Oct. 2, 2015. Found online [May 13, 2016] http://www.schwinnfitness.com/schwinn_fitness_us/products/airdyne/prdcdovr~100458/Schwinn+Airdyne+AD+Pro.jsp.*

Primary Examiner — Robert M Spear

Assistant Examiner — Ryan Harvey

(74) *Attorney, Agent, or Firm* — Dorsey & Whitney LLP

(57) **CLAIM**

We claim the ornamental design for an exercise bike, as shown and described.

DESCRIPTION

FIG. 1 shows a top front isometric view of an exercise bike in accordance with the present design.

FIG. 2 shows a front elevation view of the exercise bike of FIG. 1.

FIG. 3 shows a rear elevation view of the exercise bike of FIG. 1.

FIG. 4 shows a left side elevation view of the exercise bike of FIG. 1.

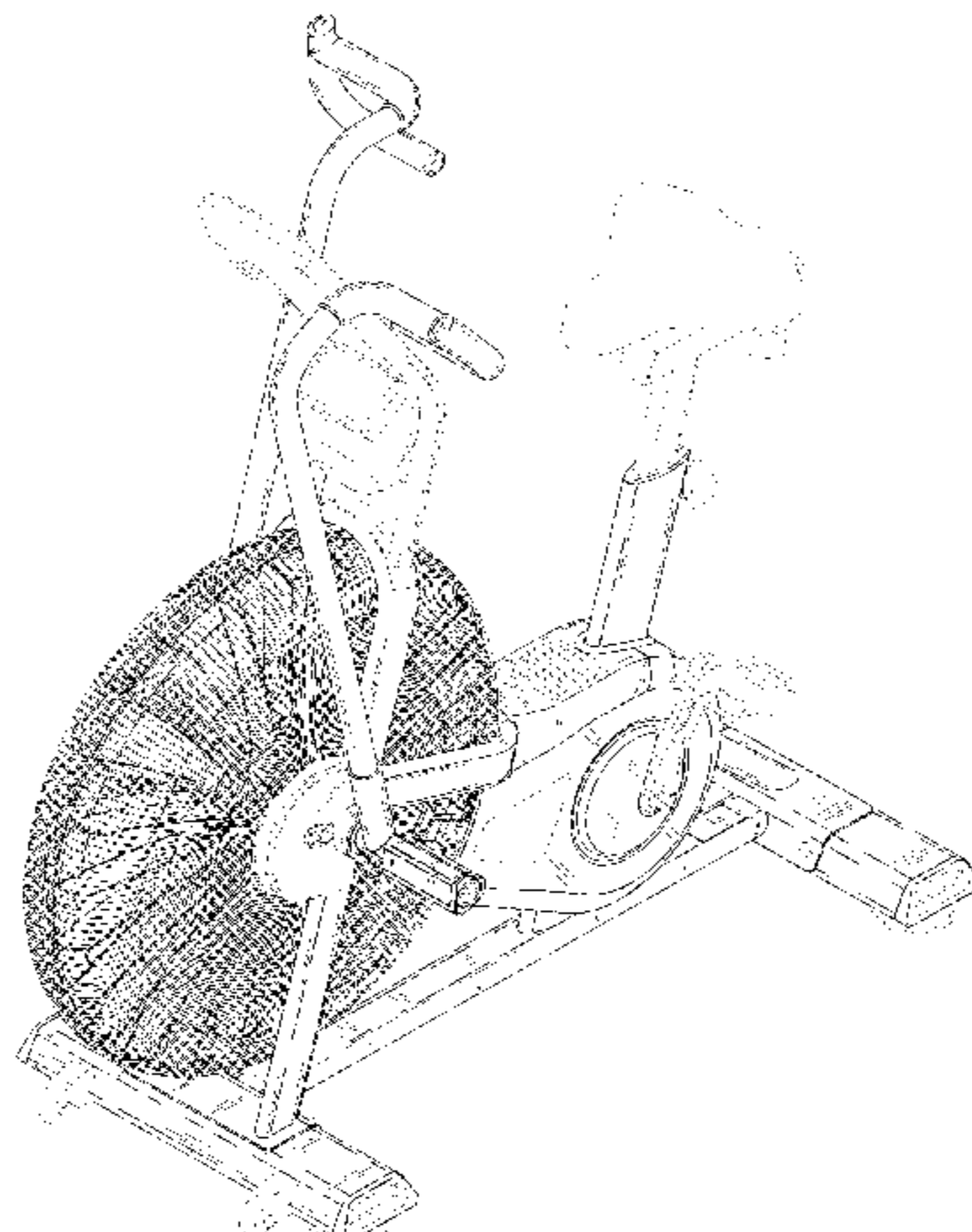
FIG. 5 shows a right side elevation view of the exercise bike of FIG. 1.

FIG. 6 shows a top plan view of the exercise bike of FIG. 1; and,

FIG. 7 shows a bottom plan view of the exercise bike of FIG. 1.

The broken lines illustrate portions of the exercise bike that form no part of the claimed design.

1 Claim, 7 Drawing Sheets



(56)

References Cited

U.S. PATENT DOCUMENTS

4,981,294 A * 1/1991 Dalebout A63B 22/0605
482/59
D315,018 S * 2/1991 Wang D23/382
5,000,444 A * 3/1991 Dalebout A63B 22/0605
482/59
D319,274 S * 8/1991 Byrd D21/667
D319,480 S * 8/1991 Byrd D21/665
D319,675 S * 9/1991 Byrd D21/665
D323,863 S * 2/1992 Watterson D21/667
D325,777 S * 4/1992 Cook D23/382
5,149,312 A * 9/1992 Croft A63B 22/0605
482/148
D330,236 S * 10/1992 Jarriel D21/665

RE34,478 E * 12/1993 Dalebout A63B 21/015
482/59
5,346,445 A * 9/1994 Chang A63B 22/0012
482/62
5,397,286 A * 3/1995 Chang A63B 21/157
482/59
D362,498 S * 9/1995 Swales D23/381
D391,346 S * 2/1998 Litvin D23/381
D418,218 S * 12/1999 Hsu D23/411
D439,967 S * 4/2001 Bogazzi D23/382
D460,794 S * 7/2002 Baker D21/667
D511,570 S * 11/2005 Ke D23/378
D699,305 S * 2/2014 Rauwerdink D21/665
D699,795 S * 2/2014 Rauwerdink D21/665
D699,796 S * 2/2014 Flick D21/665
D737,420 S * 8/2015 Yeung D23/382
D737,950 S * 9/2015 He D23/382

* cited by examiner

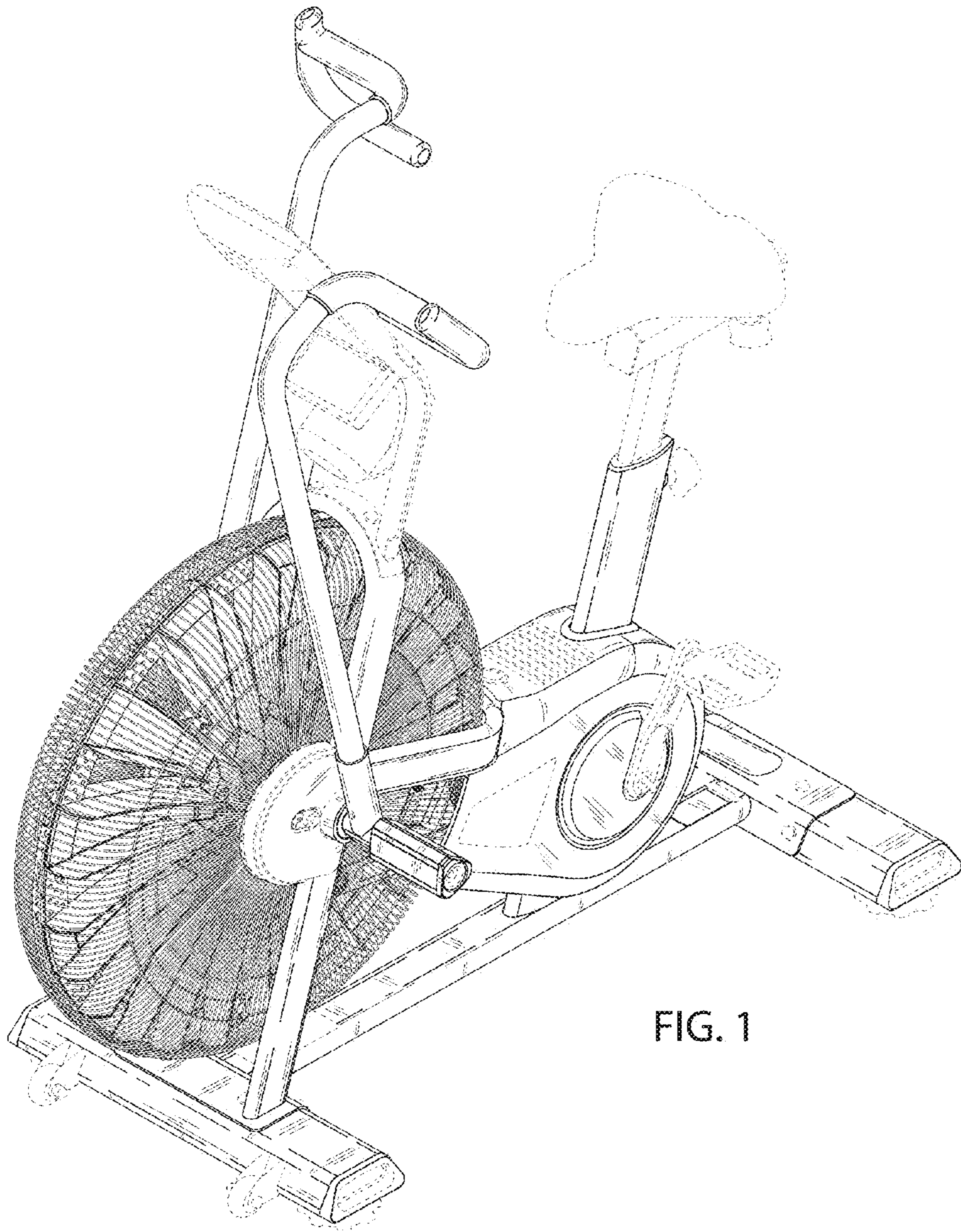


FIG. 1

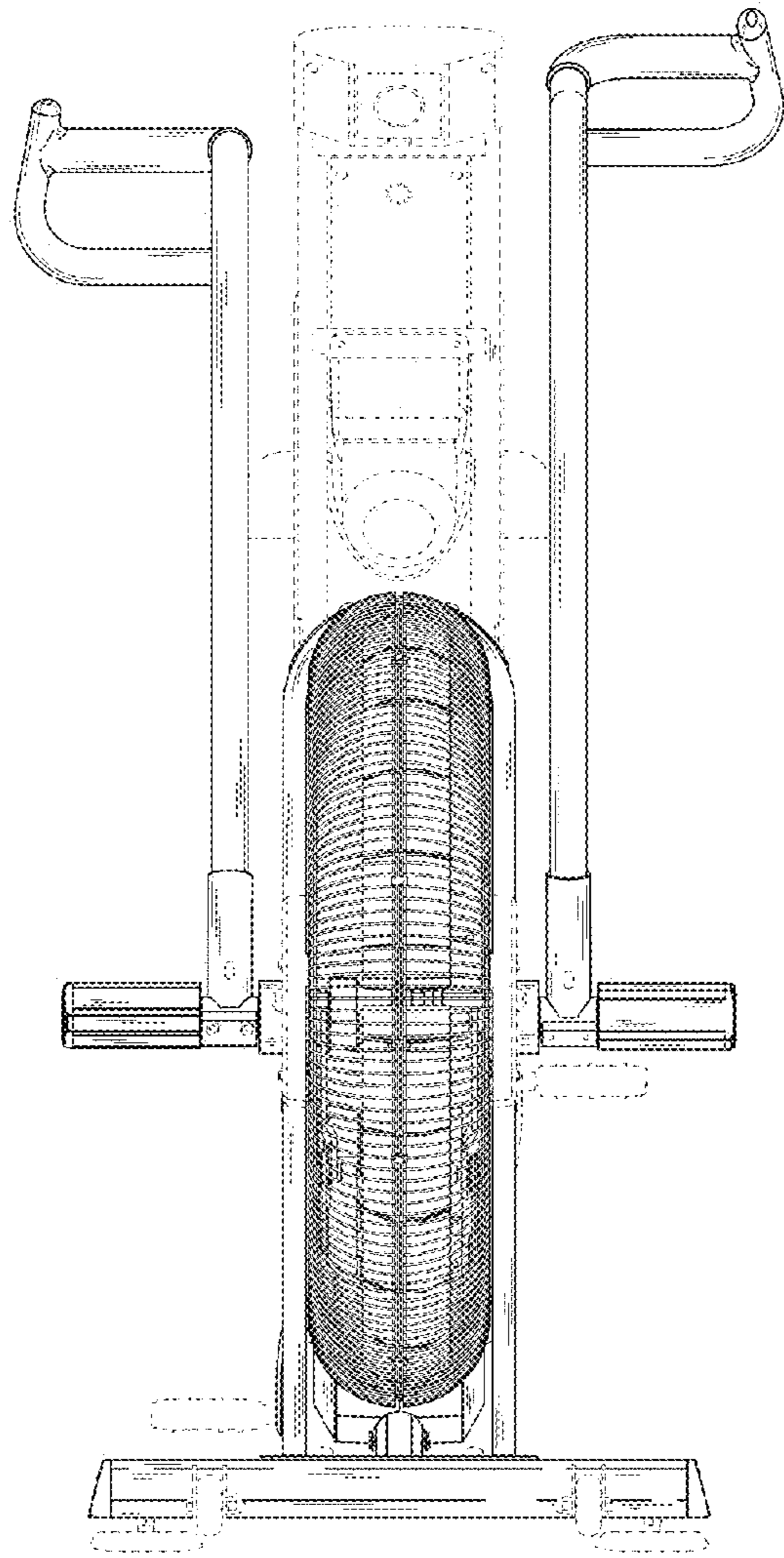


FIG. 2

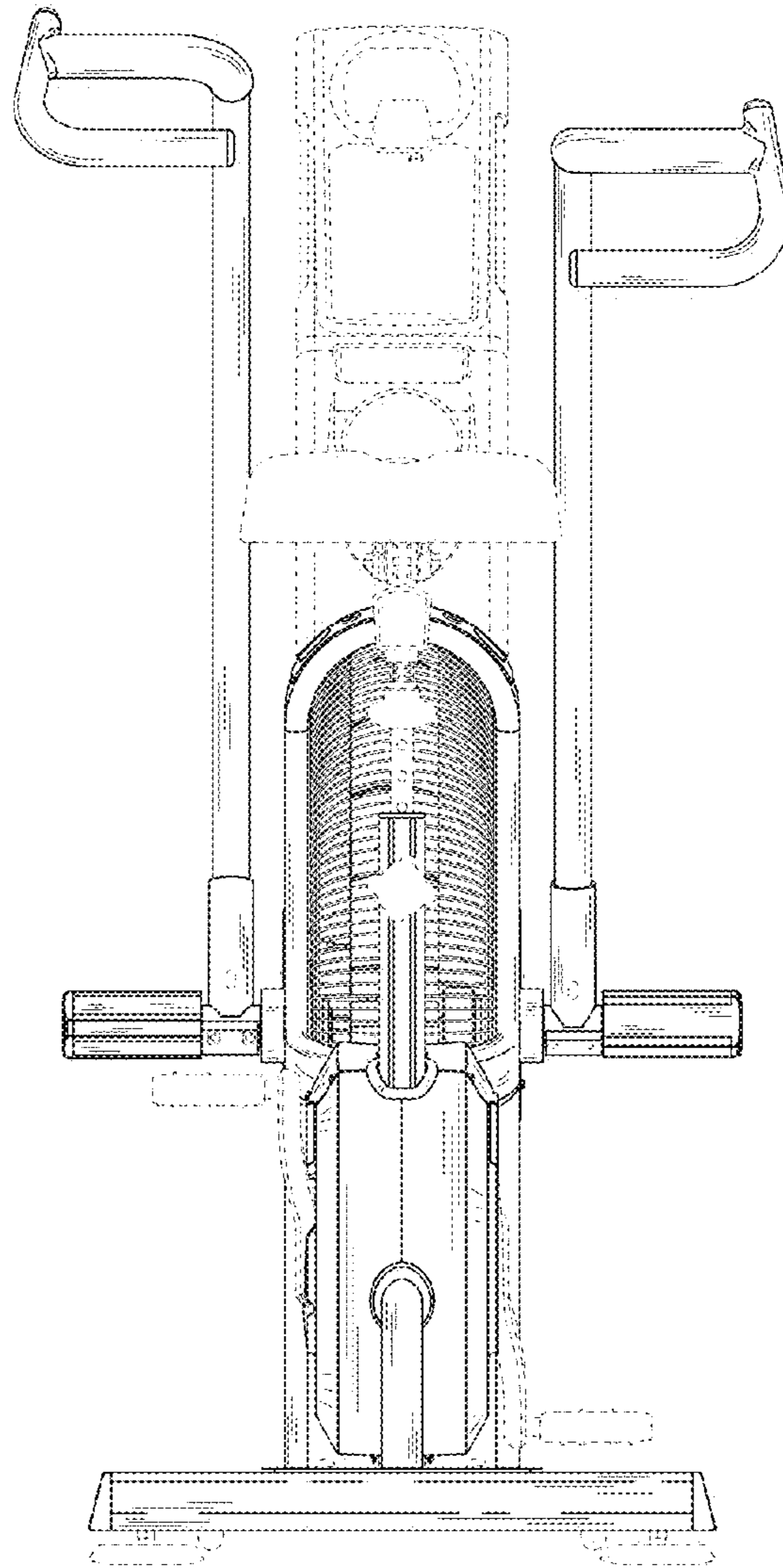


FIG. 3

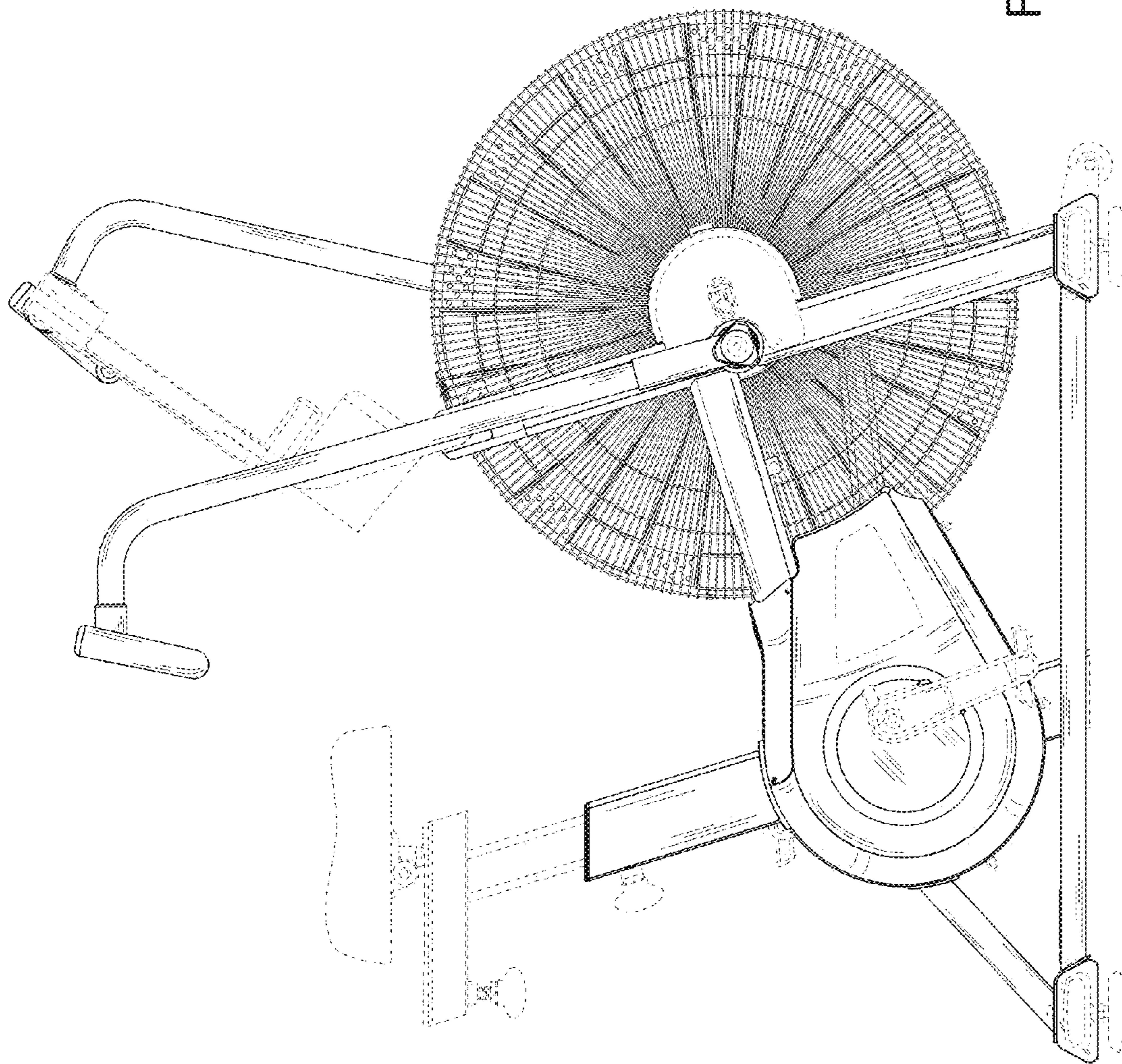


FIG. 4

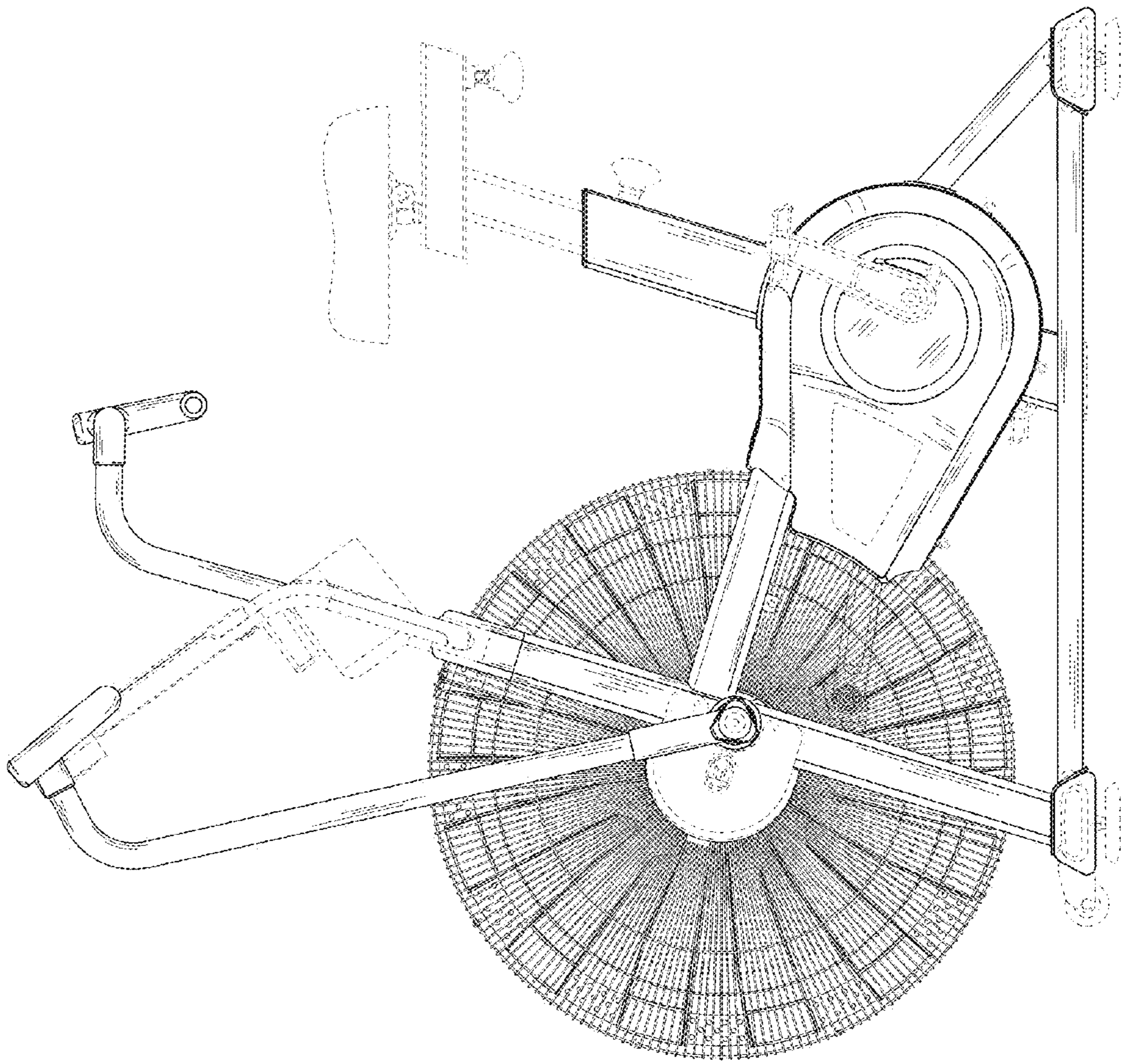


FIG. 5

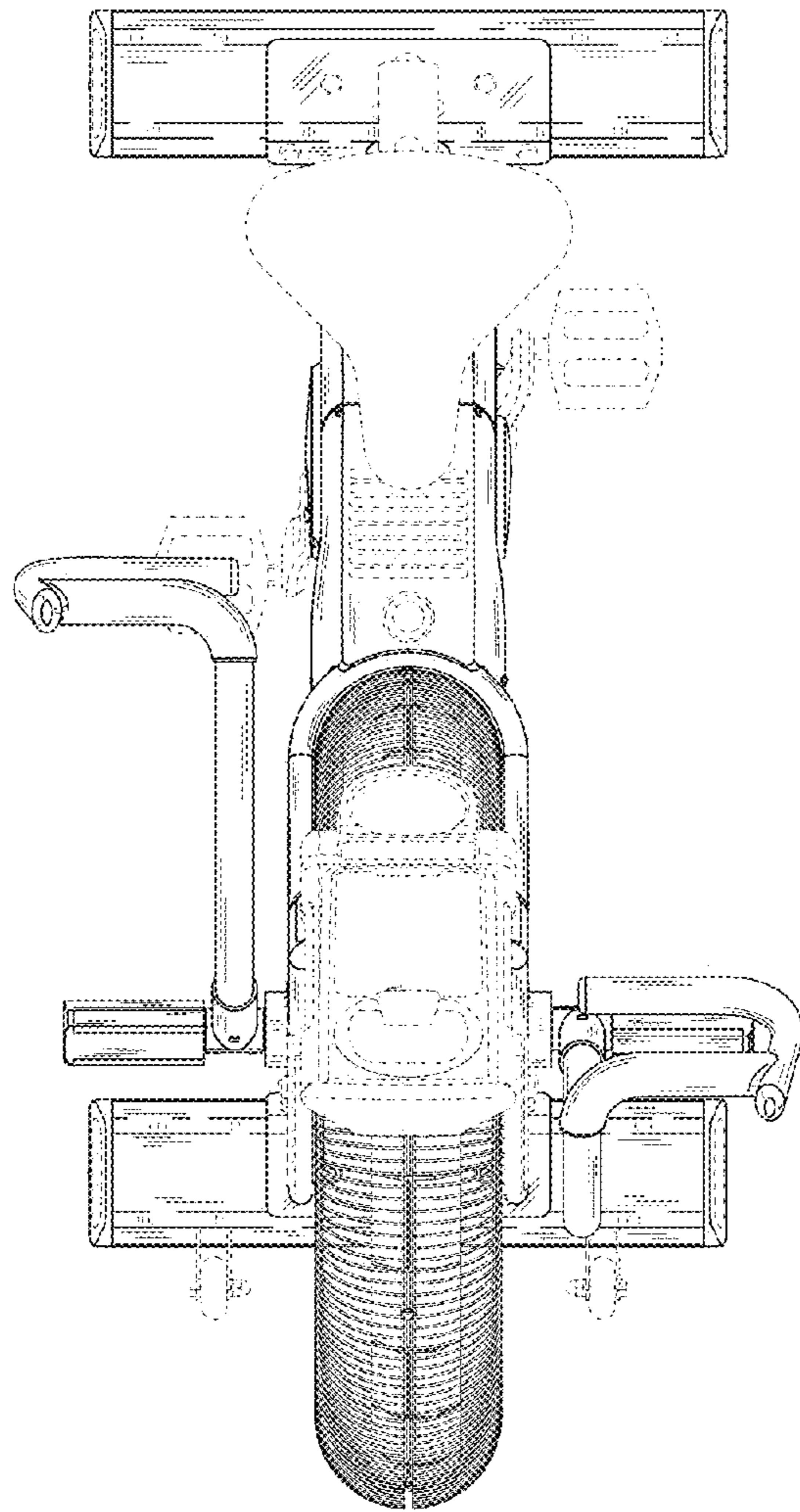


FIG. 6

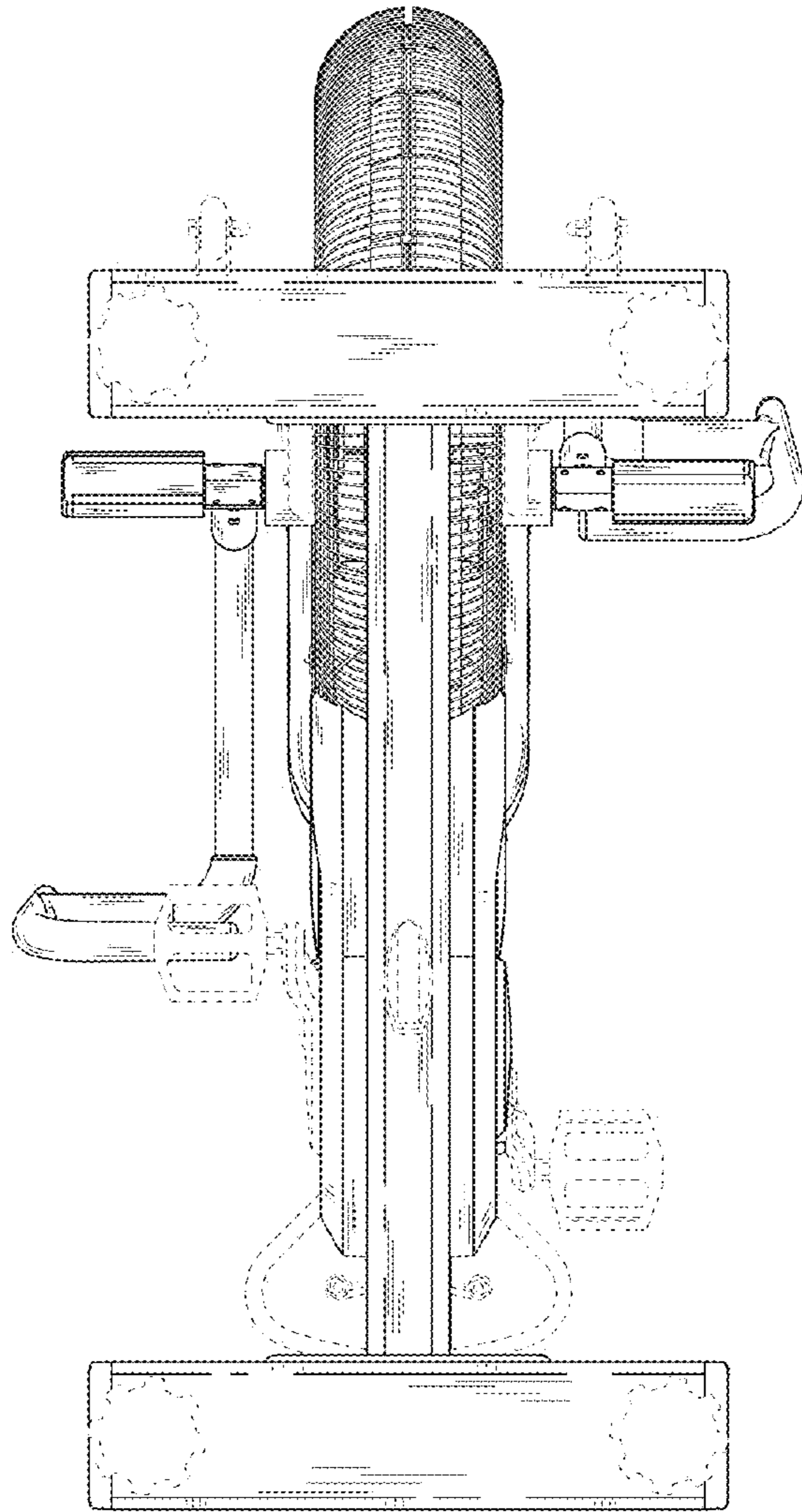


FIG. 7