



US00D767046S

(12) **United States Design Patent Stack**

(10) **Patent No.:** **US D767,046 S**

(45) **Date of Patent:** **** Sep. 20, 2016**

- (54) **ELASTIC BAND LAUNCHER**
- (71) Applicant: **Super Impulse USA, LLC**, Bristol, PA (US)
- (72) Inventor: **Benjamin A. Stack**, Broomall, PA (US)
- (73) Assignee: **Super Impulse USA, LLC**, Bristol, PA (US)

- 3,297,012 A * 1/1967 Kirkland F41B 7/025 124/18
- 3,468,296 A * 9/1969 Duval F41B 7/025 124/19
- 3,536,055 A * 10/1970 Endo F41B 7/025 124/18
- D247,986 S * 5/1978 Clyde D21/574
- D274,922 S * 7/1984 Smith D21/574
- 4,554,904 A * 11/1985 Endo F41B 7/025 124/18
- D698,873 S * 2/2014 Overlie D21/574

(**) Term: **15 Years**

* cited by examiner

(21) Appl. No.: **29/556,409**

Primary Examiner — Cynthia M Chin

(22) Filed: **Mar. 1, 2016**

(74) *Attorney, Agent, or Firm* — Michael Crilly, Esq.

Related U.S. Application Data

(62) Division of application No. 29/525,567, filed on Apr. 30, 2015, now Pat. No. Des. 755,309.

(51) **LOC (10) Cl.** **21-01**

(52) **U.S. Cl.**
USPC **D21/570**

(58) **Field of Classification Search**
USPC D21/567, 570, 573, 574; D22/100, D22/104–106; 124/18, 19, 21, 22
CPC F41B 7/02; F41B 7/025; F41B 7/08
See application file for complete search history.

(57) **CLAIM**

The ornamental design for an elastic band launcher, as shown and described.

DESCRIPTION

FIG. 1 is a perspective view of an elastic band launcher showing my new design;
FIG. 2 is a front view of the elastic band launcher of FIG. 1;
FIG. 3 is a rear view of the elastic band launcher of FIG. 1;
FIG. 4 is a side view of the elastic band launcher of FIG. 1, the opposite side being a mirror image;
FIG. 5 is a top view of the elastic band launcher of FIG. 1; and,
FIG. 6 is a bottom view of the elastic band launcher of FIG. 1.

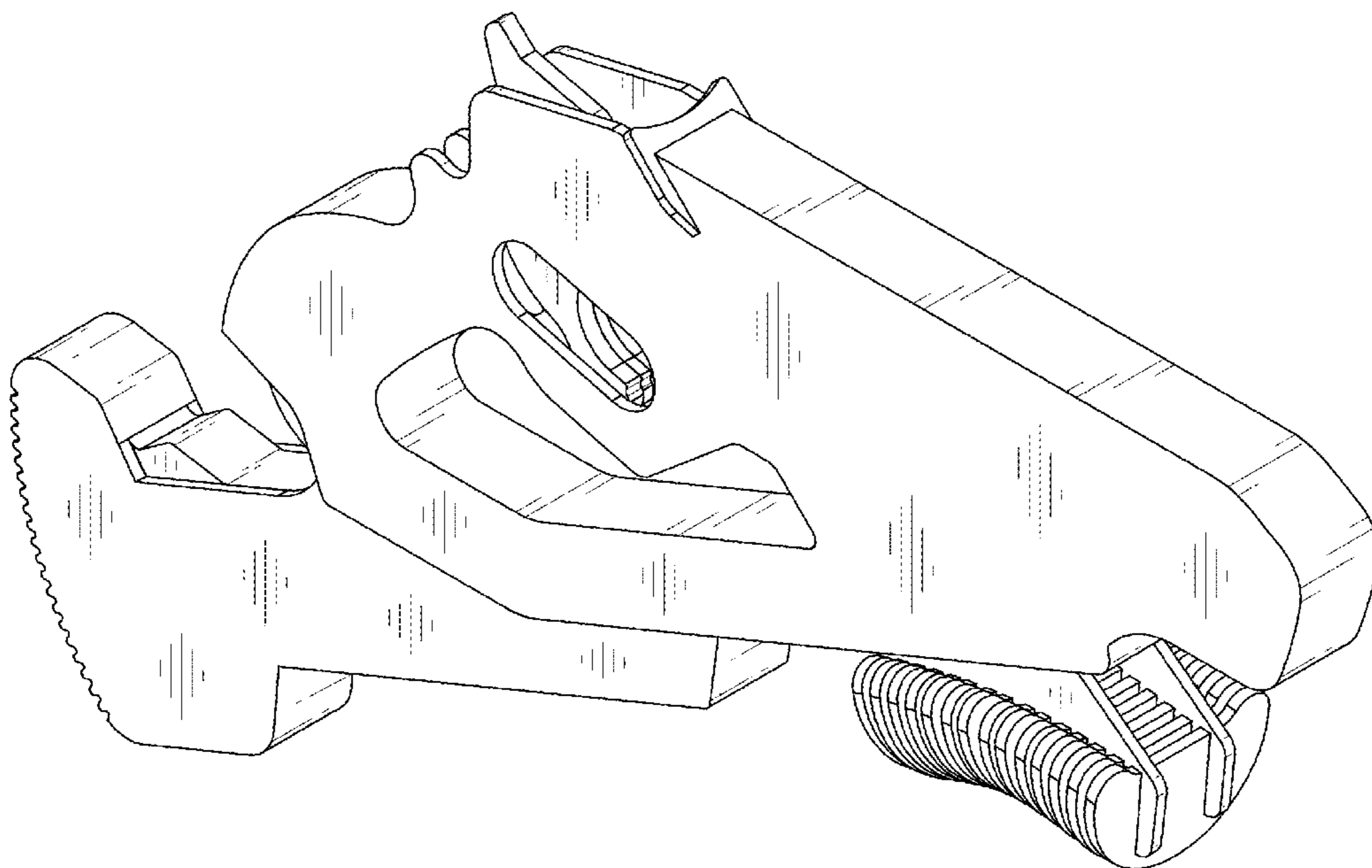
The broken lines in the drawings illustrate the portions of the design that form no part of the claimed design.

(56) **References Cited**

U.S. PATENT DOCUMENTS

- 2,535,891 A * 12/1950 Bozarth F41B 7/025 124/18
- 2,741,238 A * 4/1956 Arnold F41B 7/025 124/19

1 Claim, 4 Drawing Sheets



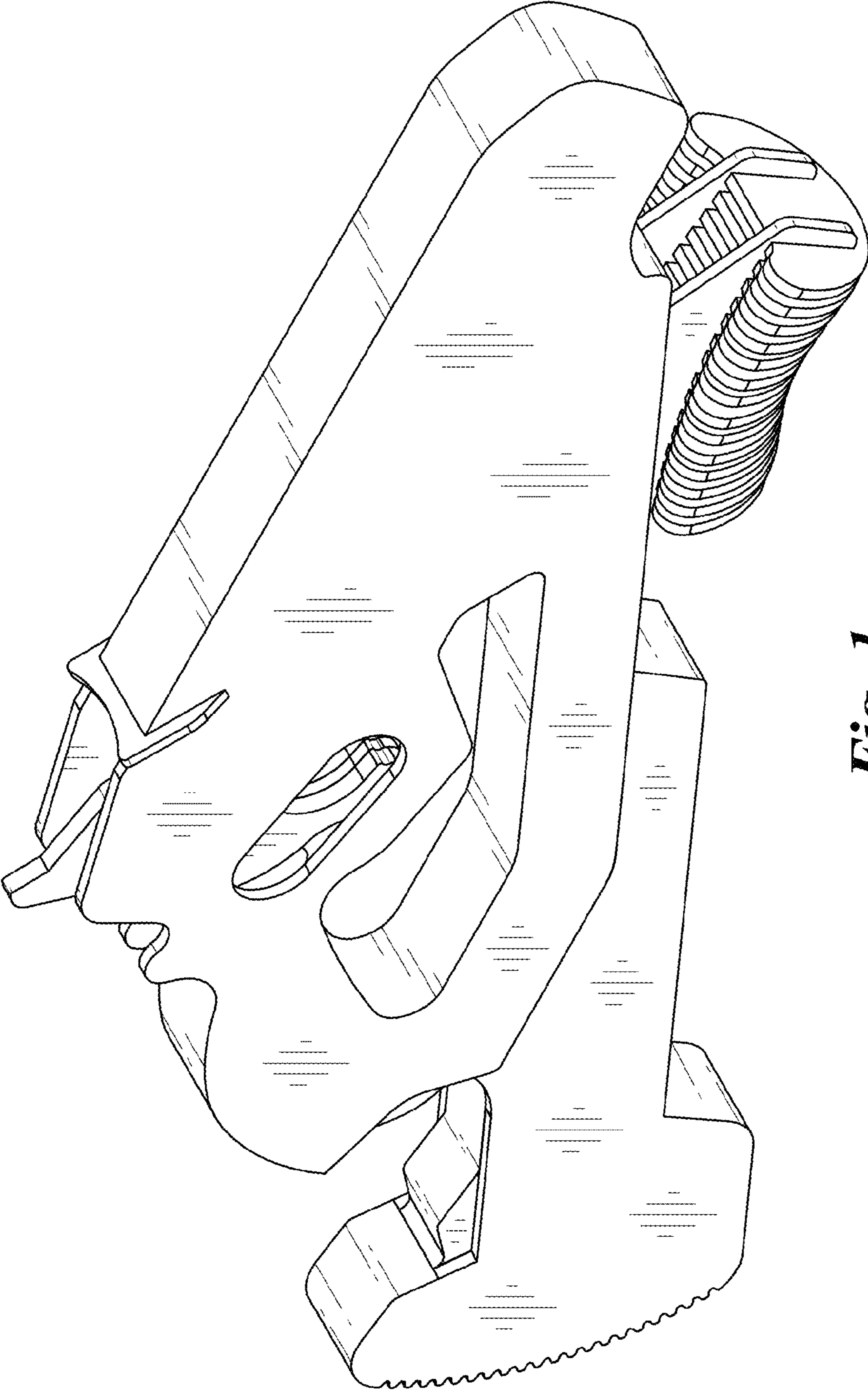


Fig. 1

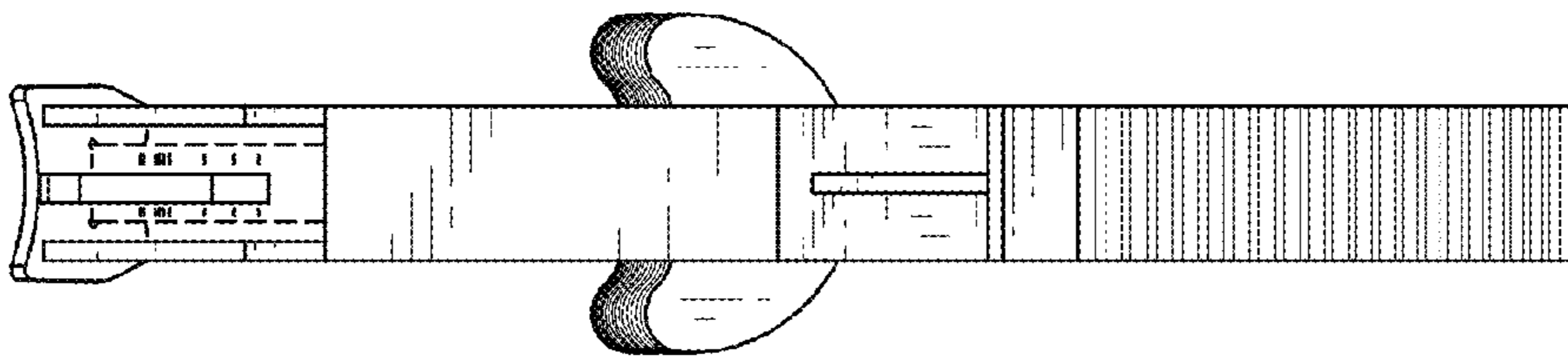


Fig. 3

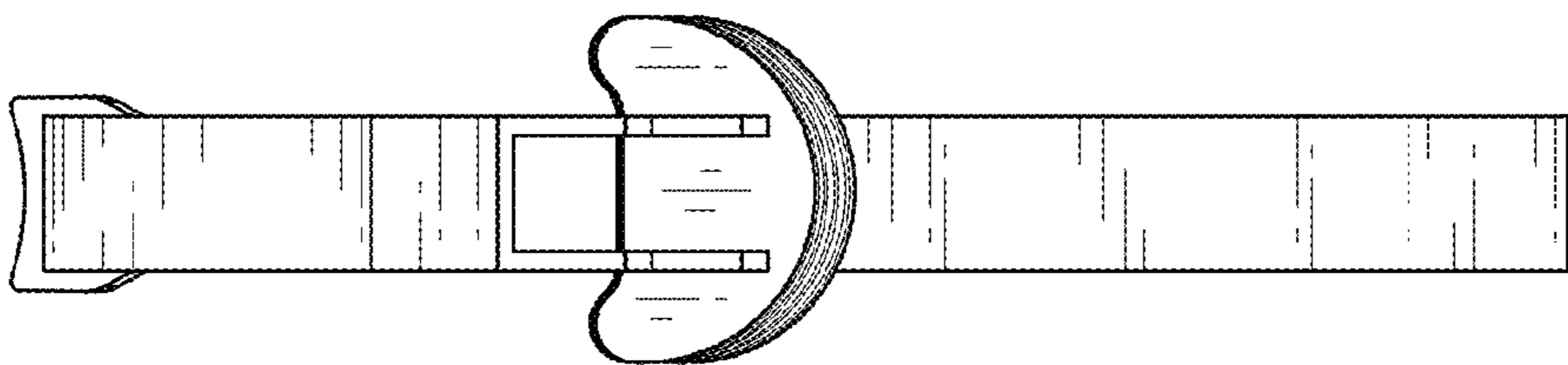


Fig. 2

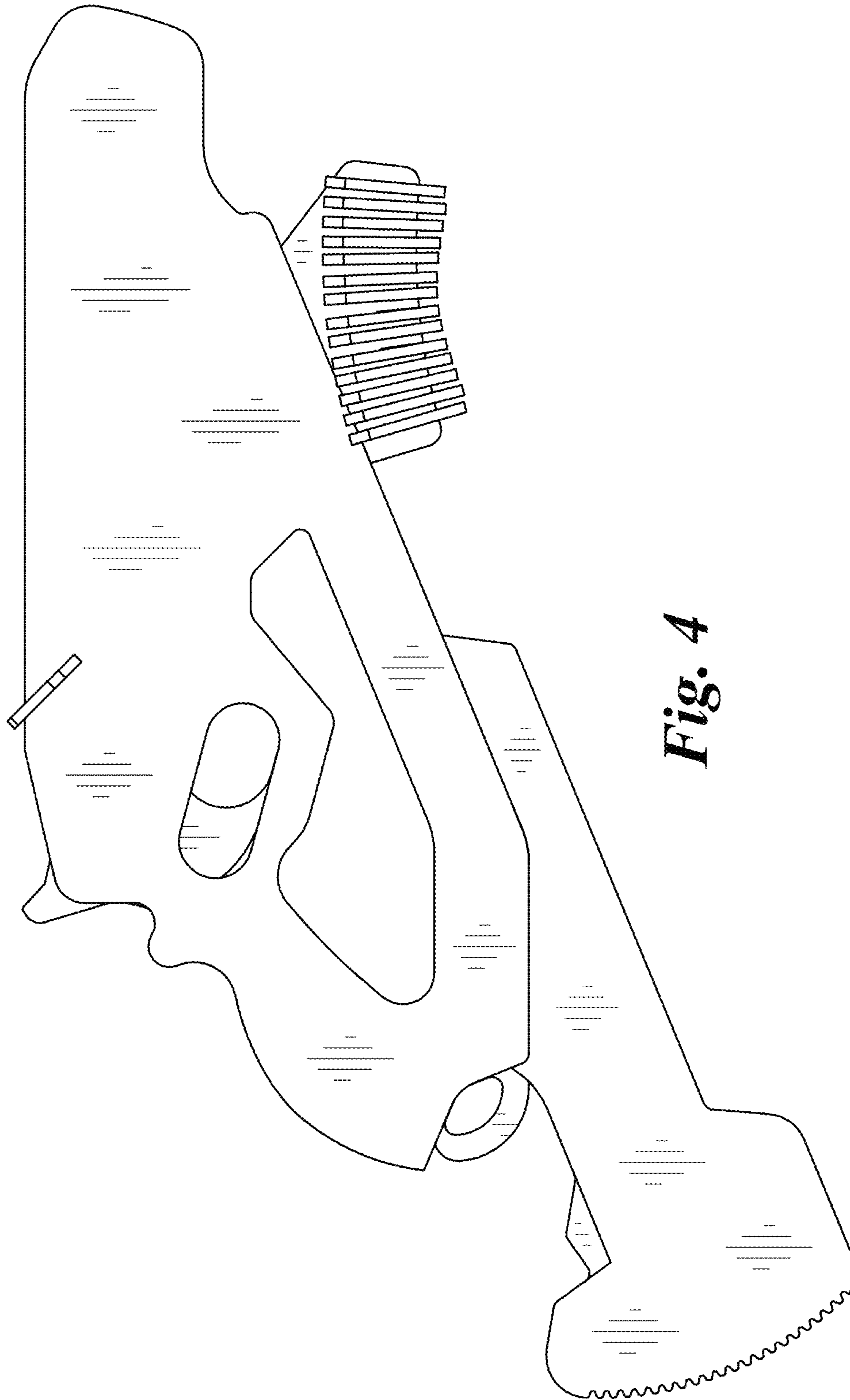


Fig. 4

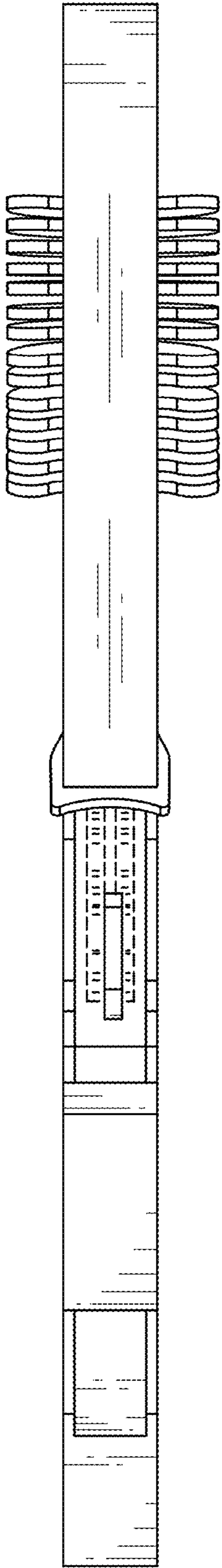


Fig. 5

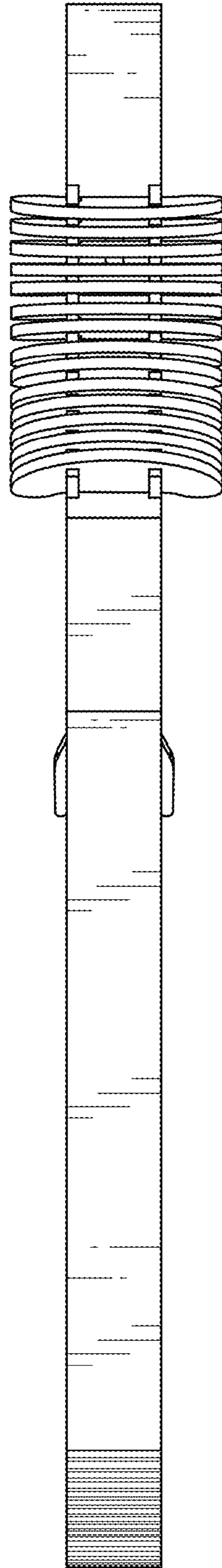


Fig. 6