



US00D767045S

(12) **United States Design Patent** (10) **Patent No.:** **US D767,045 S**
Tim (45) **Date of Patent:** **** Sep. 20, 2016**

(54) **CURVED BLOCK MODEL CONSTRUCTION COMPONENT**

(71) Applicant: **Buster Tim**, Brooklyn, NY (US)

(72) Inventor: **Buster Tim**, Brooklyn, NY (US)

(**) Term: **15 Years**

(21) Appl. No.: **29/527,470**

(22) Filed: **May 19, 2015**

(51) **LOC (10) Cl.** **21-01**

(52) **U.S. Cl.**
USPC **D21/503**; D21/497

(58) **Field of Classification Search**
USPC D21/386, 389, 404, 468, 470, 471,
D21/484-505; 446/69, 85, 102-128;
434/208, 259, 403; 273/153, 156, 160;
D25/113-116, 118
CPC A63H 33/00; A63H 33/04; A63H 33/044;
A63H 33/06; A63H 33/08; A63H 33/084;
A63H 33/086; A63H 33/088; A63H 33/10;
A63H 33/12; A63H 33/105; A63H 33/108;
A63H 3/00; A63H 3/16; A63H 3/46; E04C
1/00; E04C 1/40; E04B 2/14; E04B 2/16;
E04B 2/18

See application file for complete search history.

(56) **References Cited**

U.S. PATENT DOCUMENTS

- 2,093,341 A * 9/1937 Reiche A63H 33/102
446/104
- D179,688 S * 2/1957 Reiche D21/503
- 3,002,315 A 10/1961 Kuhn
- 3,195,266 A 7/1965 Onanian
- 4,496,266 A * 1/1985 Ruckstuhl E01C 5/00
404/38
- D316,904 S * 5/1991 Forsberg D25/114
- 6,073,404 A 6/2000 Norfleet
- D456,048 S * 4/2002 Sorensen D21/503

- D464,381 S * 10/2002 Sorensen D21/503
- D464,683 S * 10/2002 Sorensen D21/503
- D472,942 S * 4/2003 Sorensen D21/503
- 6,746,297 B2 6/2004 Robjent
- 7,186,161 B2 3/2007 Salas Peralta
- D594,512 S 6/2009 Richards
- D603,976 S * 11/2009 Pearce D25/114
- D641,055 S * 7/2011 Andersen D21/484
- 8,382,548 B2 2/2013 Maggiore
- D689,204 S * 9/2013 MacDonald D25/114
- D694,914 S * 12/2013 MacDonald D25/113
- 2005/0069389 A1 * 3/2005 Shaw E02D 29/0225
405/286

FOREIGN PATENT DOCUMENTS

- EP 0048560 3/1982
- WO WO9929975 6/1999
- WO WO2011008555 1/2011

* cited by examiner

Primary Examiner — Cynthia M Chin

(74) *Attorney, Agent, or Firm* — Goldstein Law Offices, P.C.

(57) **CLAIM**

The ornamental design for a curved block model construction component, as shown and described.

DESCRIPTION

FIG. 1 is a perspective view of the curved block model construction component.

FIG. 2 is a top plan view thereof.

FIG. 3 is a bottom plan view thereof, wherein portions of the drawing shown in broken lines form no part of the claimed design.

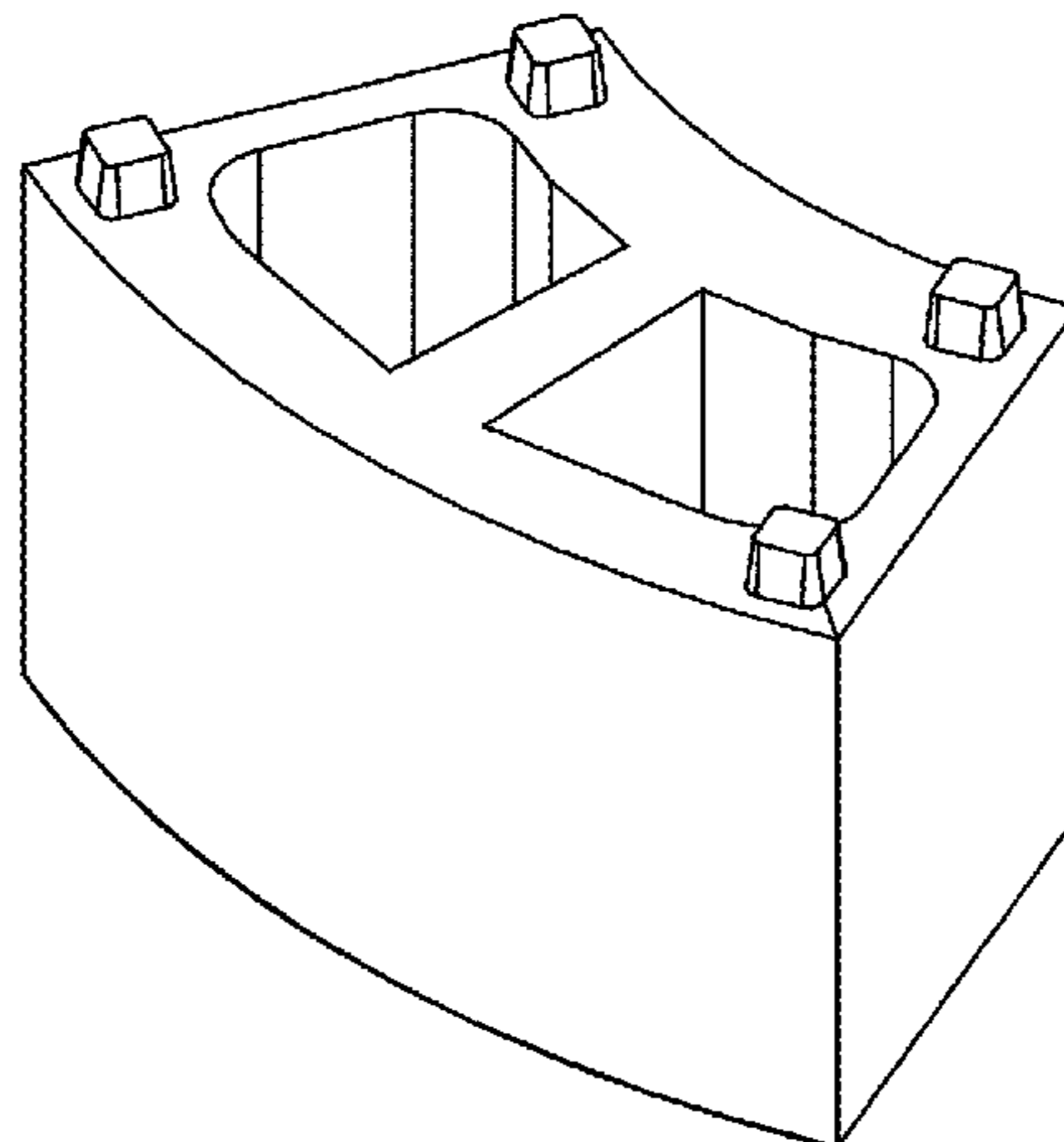
FIG. 4 is a rear elevational plan view thereof.

FIG. 5 is a front elevational view thereof.

FIG. 6 is a left side elevational view thereof; and,

FIG. 7 is a right side elevational view thereof.

1 Claim, 4 Drawing Sheets



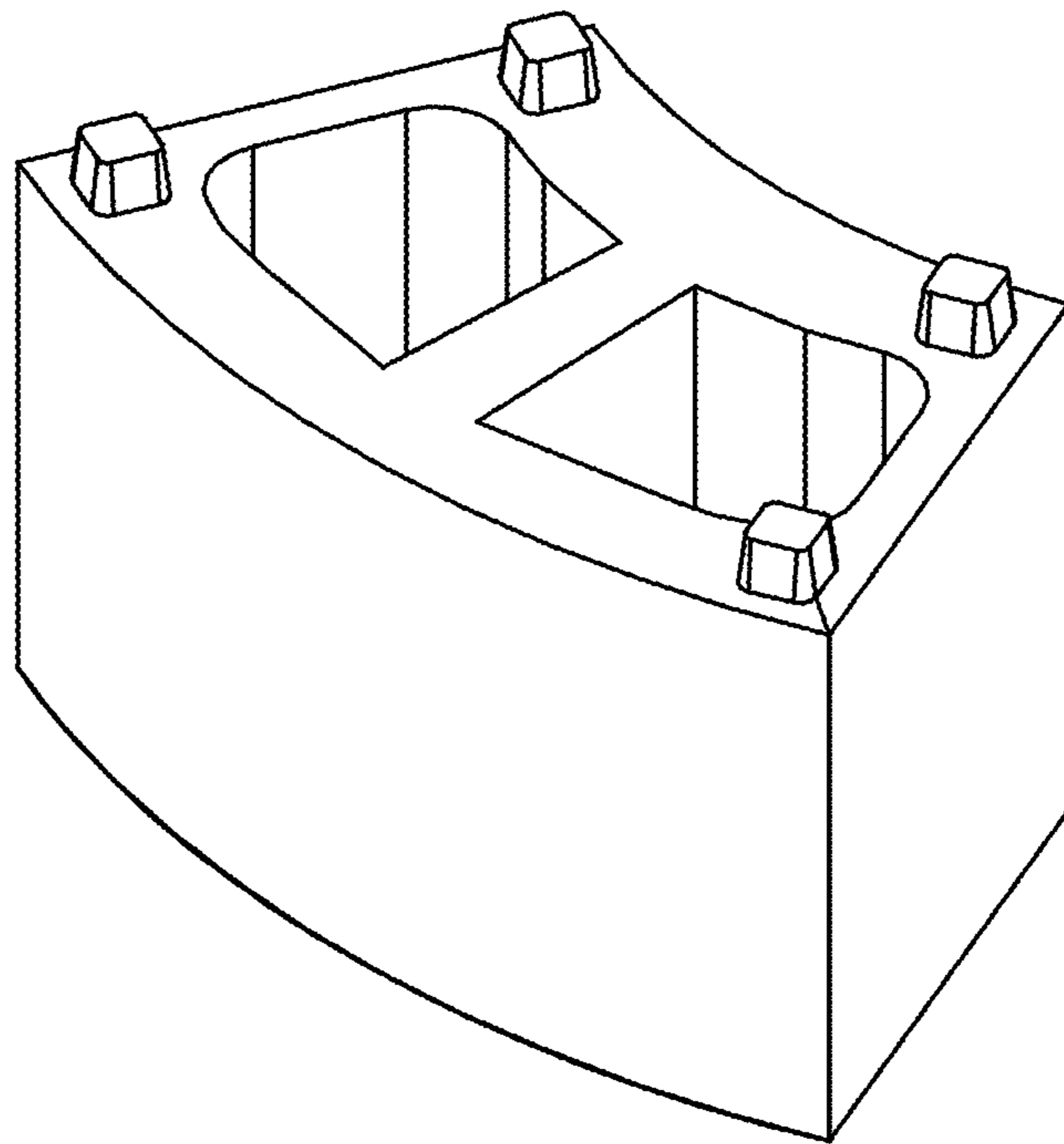


FIG. 1

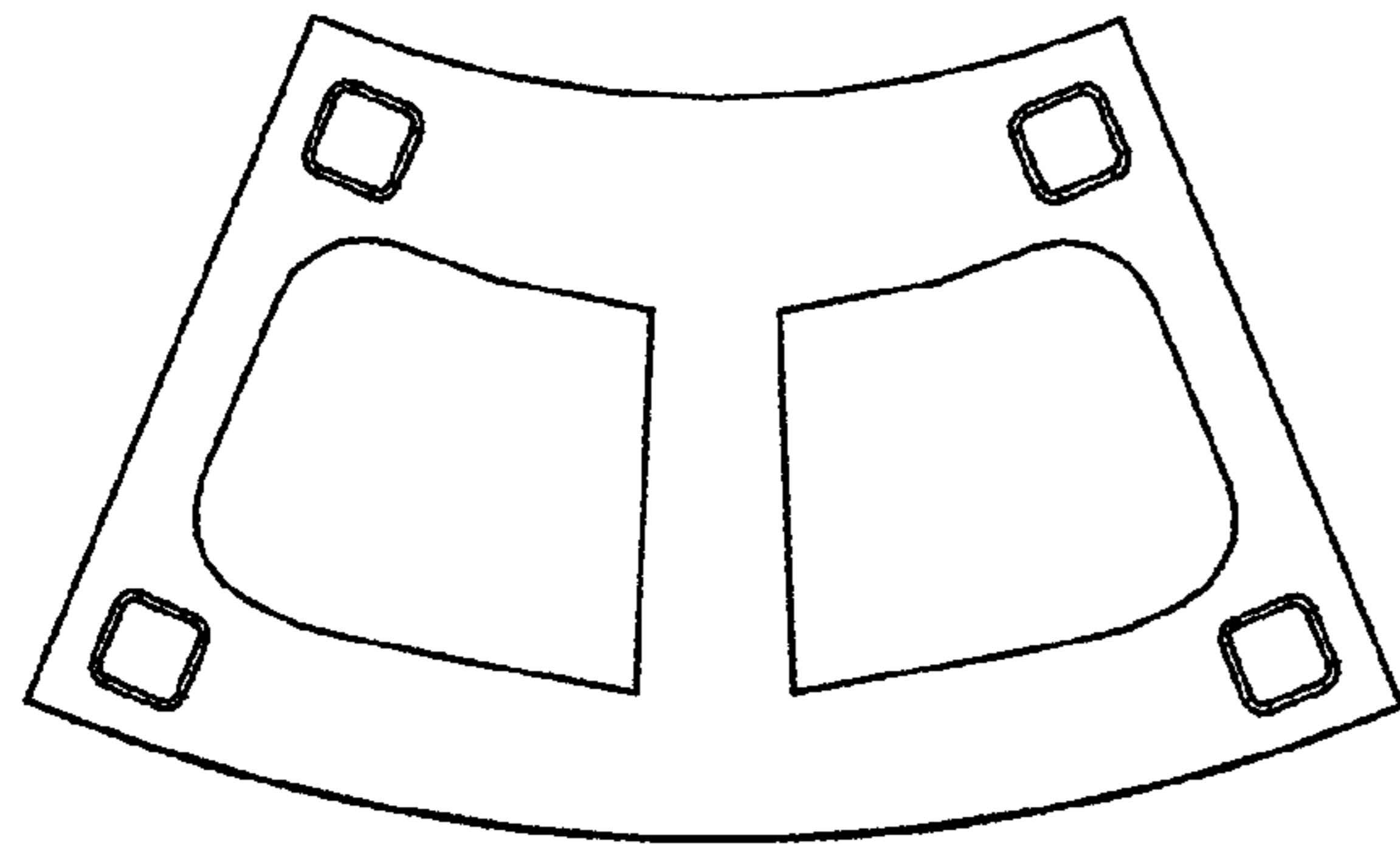


FIG. 2

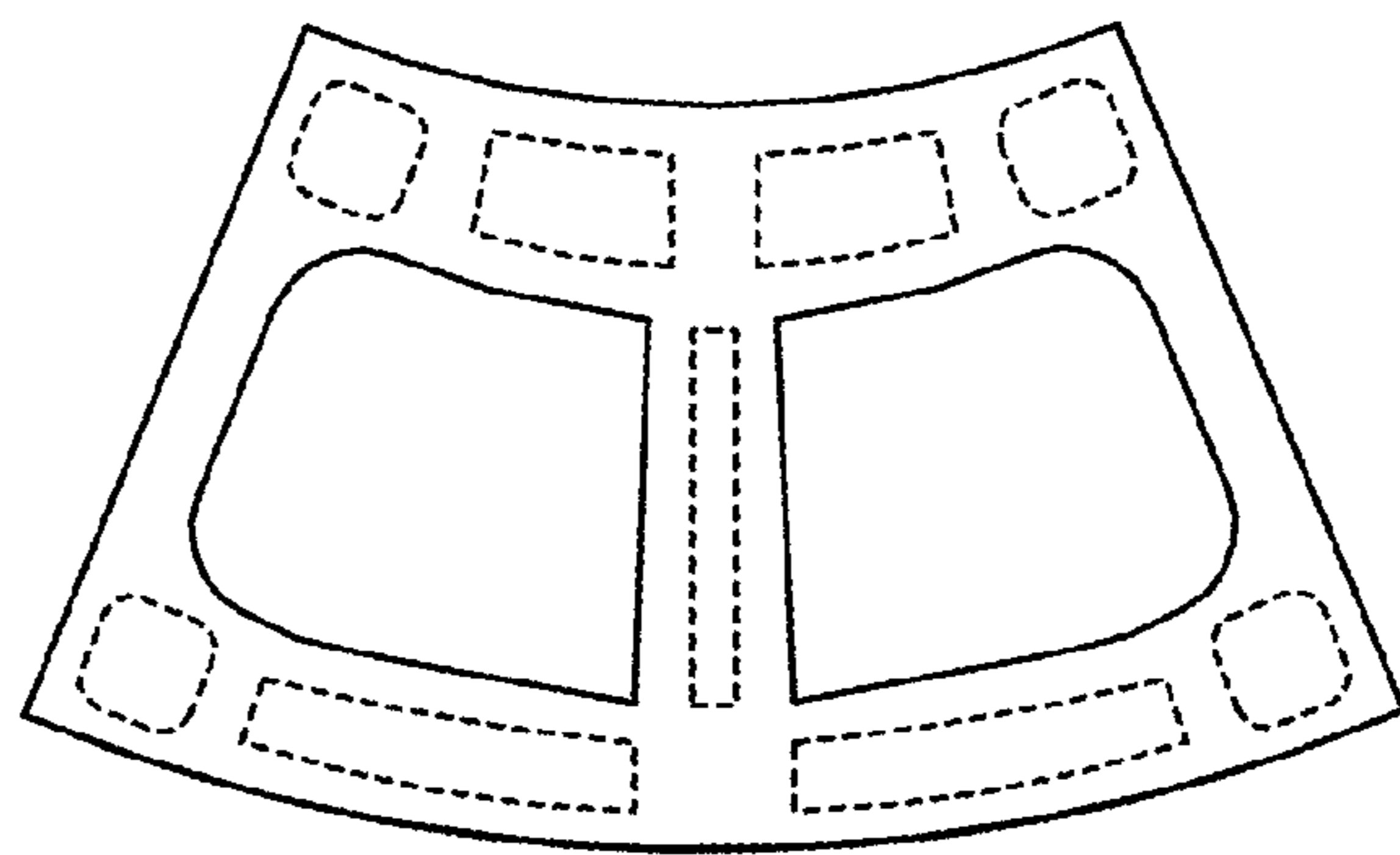


FIG. 3

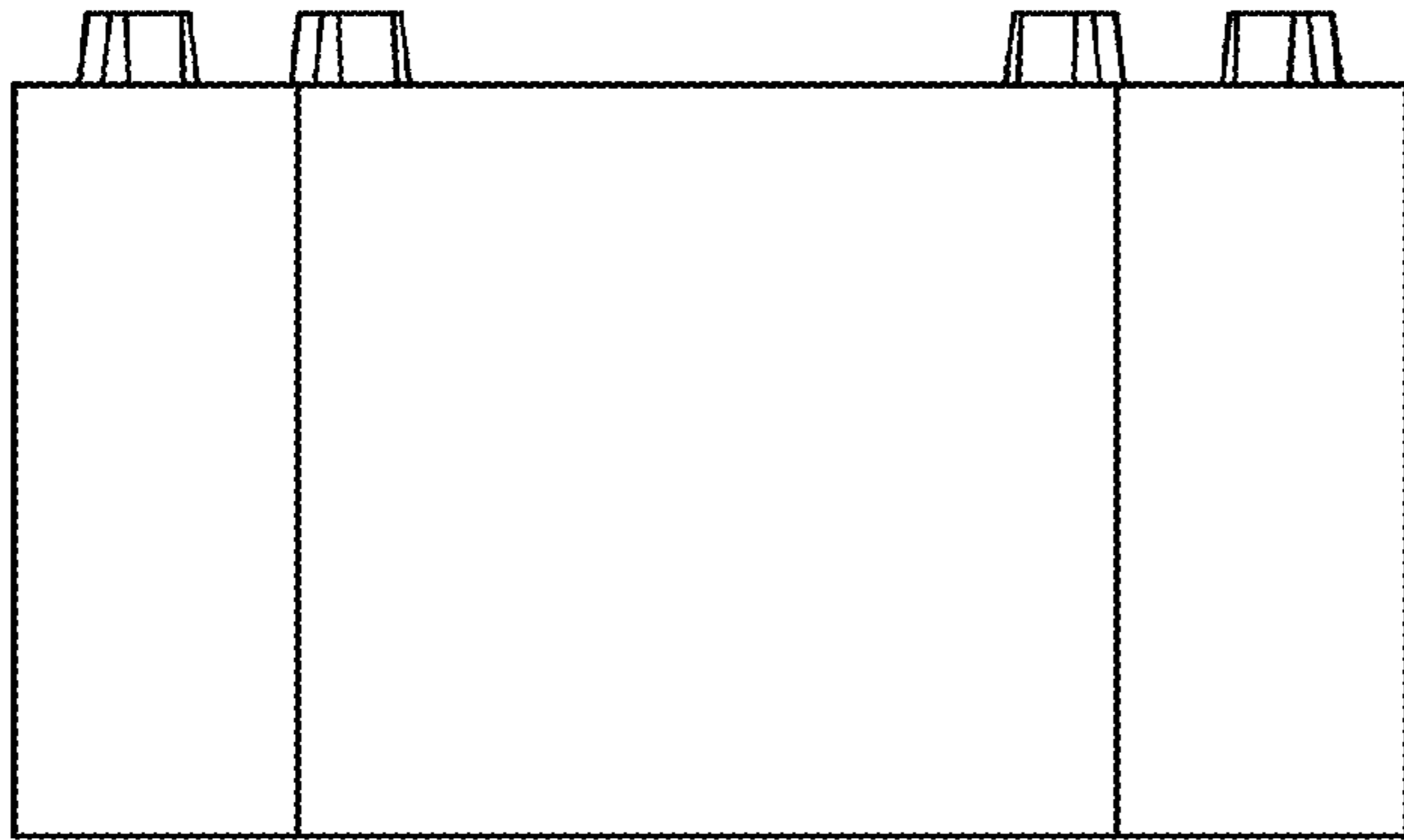


FIG. 4

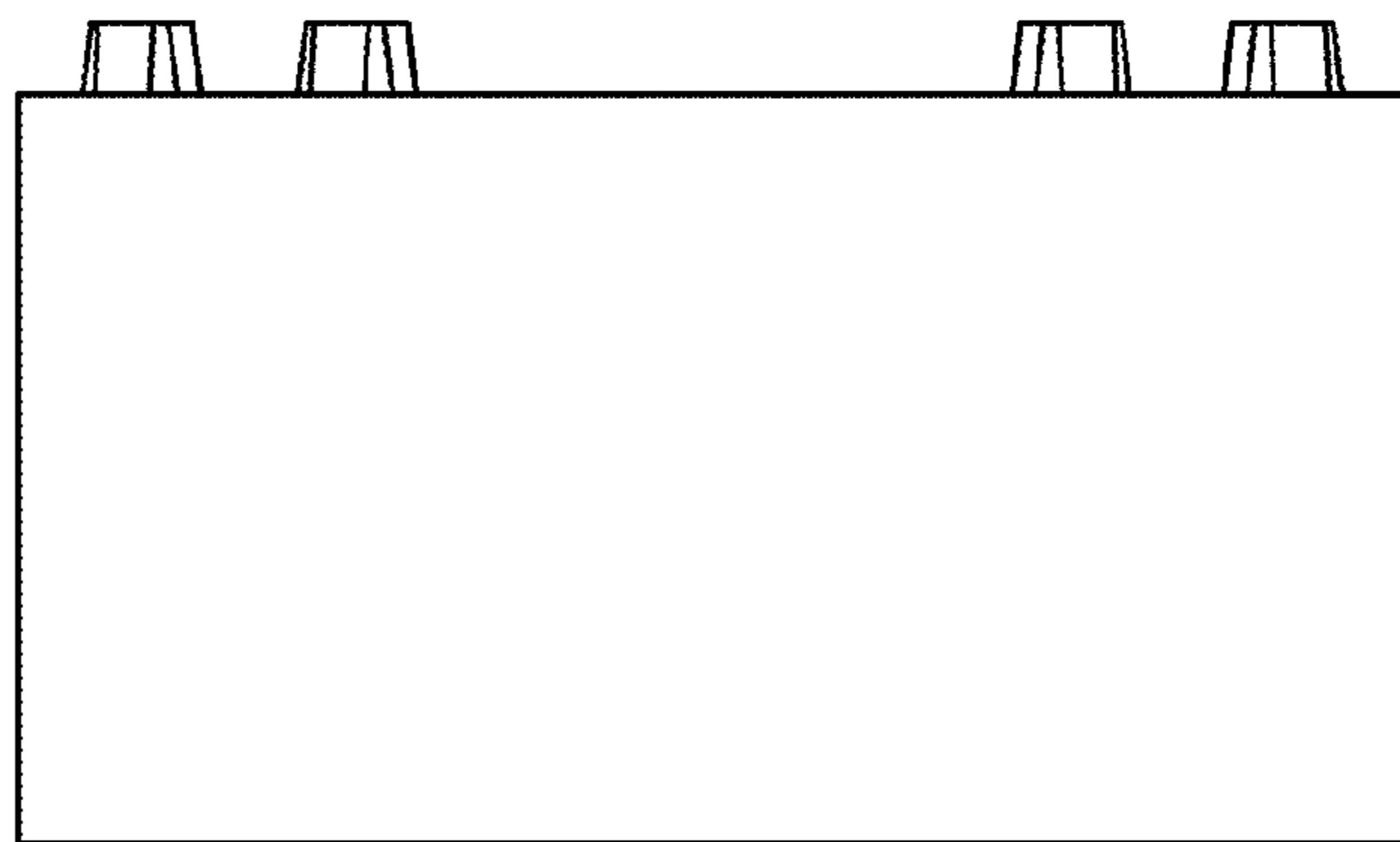


FIG. 5

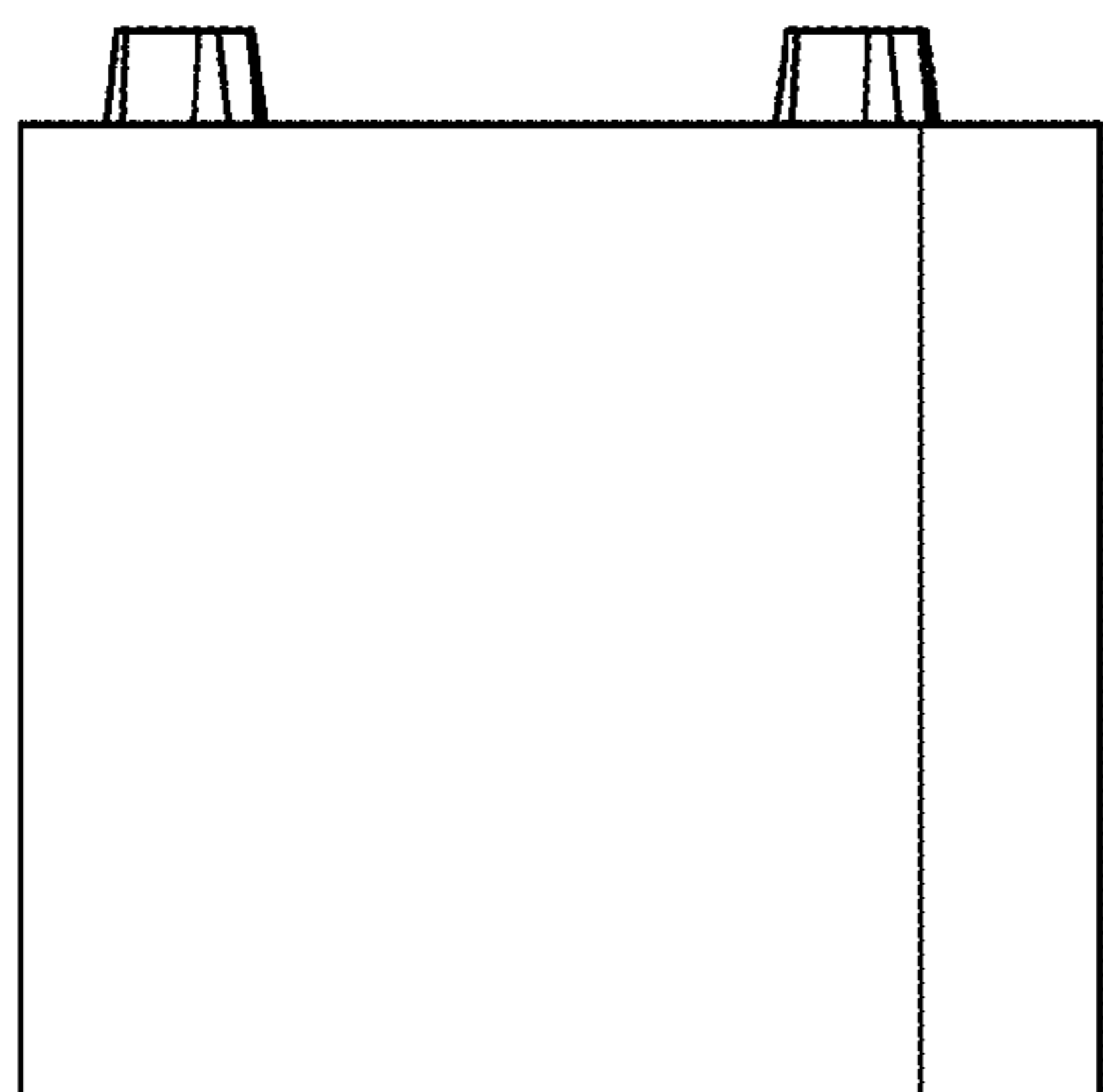


FIG. 6

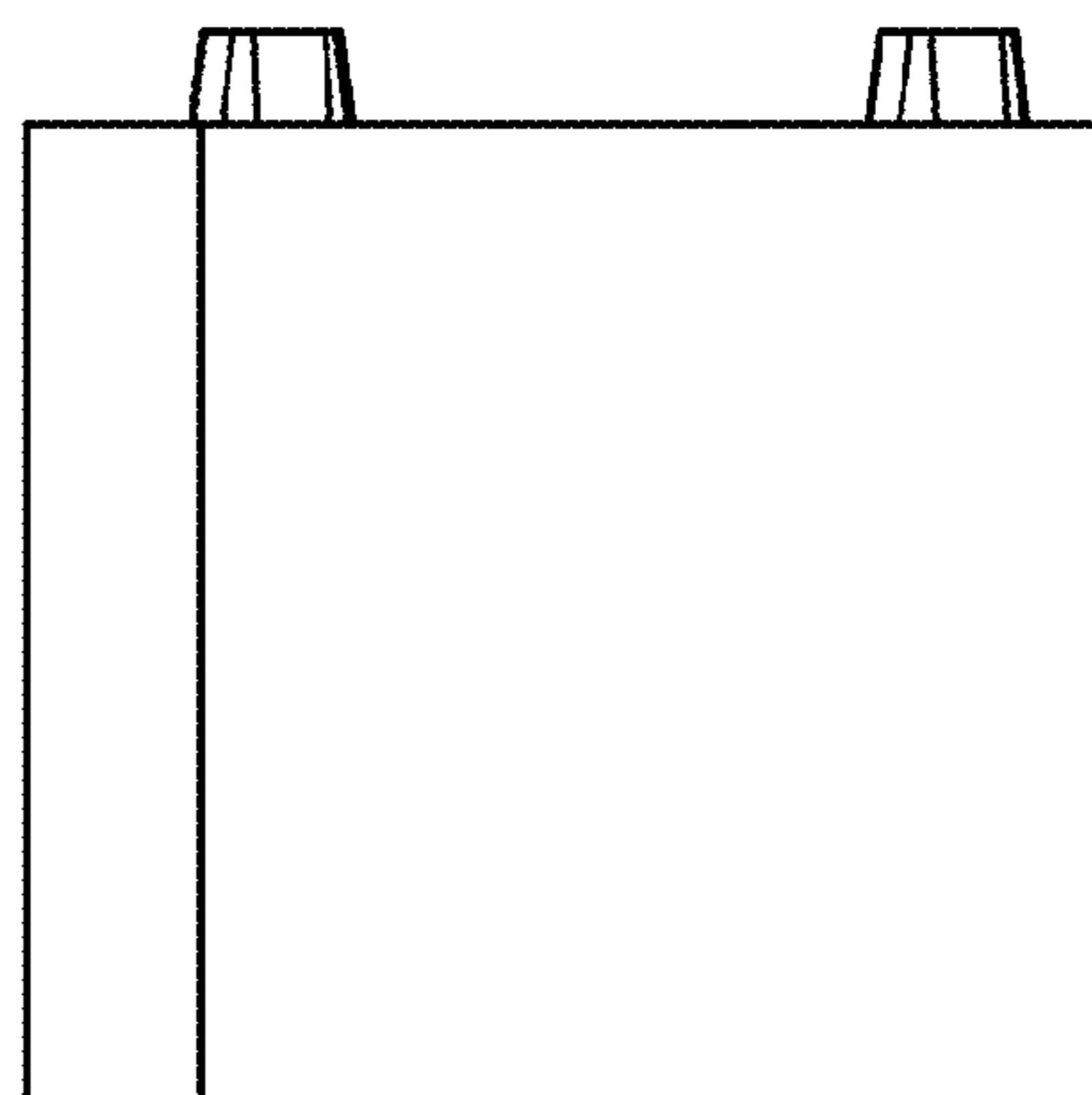


FIG. 7