

US00D767044S

(12) **United States Design Patent** (10) **Patent No.:** **US D767,044 S**
Timg (45) **Date of Patent:** **** Sep. 20, 2016**

(54) **BRICK STACK MODEL CONSTRUCTION COMPONENT**

(71) Applicant: **Buster Timg**, Brooklyn, NY (US)

(72) Inventor: **Buster Timg**, Brooklyn, NY (US)

(**) Term: **15 Years**

(21) Appl. No.: **29/527,475**

(22) Filed: **May 19, 2015**

(51) **LOC (10) Cl.** **21-01**

(52) **U.S. Cl.**
USPC **D21/484; D21/500**

(58) **Field of Classification Search**
USPC D21/386, 389, 404, 468, 470, 471,
D21/484-505; 446/69, 85, 102-128;
434/208, 259, 403; 273/153, 156, 160;
D25/113-116, 118

CPC A63H 33/00; A63H 33/04; A63H 33/044;
A63H 33/06; A63H 33/08; A63H 33/084;
A63H 33/086; A63H 33/088; A63H 33/10;
A63H 33/12; A63H 33/105; A63H 33/108;
A63H 3/00; A63H 3/16; A63H 3/46; E04C
2/20; E04C 2/30

See application file for complete search history.

(56) **References Cited**

U.S. PATENT DOCUMENTS

2,262,199	A *	11/1941	Paulson	A63H 33/088
					446/110
2,931,130	A *	4/1960	Rietz	A63H 33/044
					446/110
3,002,315	A	10/1961	Kuhn		
3,195,266	A	7/1965	Onanian		
D252,951	S *	9/1979	Schuring	D25/113
4,275,540	A *	6/1981	Keller	E04C 2/30
					52/314
D309,481	S *	7/1990	Fish, Jr.	D21/490
D314,991	S *	2/1991	Ryaa	D21/485
D332,643	S *	1/1993	Knudsen	D21/484
D332,809	S *	1/1993	Knudsen	D21/500

D352,560	S *	11/1994	Lin	D25/118
D352,973	S *	11/1994	DeZego	D21/500
D360,911	S *	8/1995	DeZego	D21/500
D362,472	S *	9/1995	DeZego	D21/500
6,073,404	A	6/2000	Norfleet		
6,088,987	A *	7/2000	Simmons	E04B 2/14
					405/285
6,746,297	B2	6/2004	Robjent		
7,186,161	B2	3/2007	Salas Peralta		
D594,512	S	6/2009	Richards		
D630,339	S *	1/2011	Coleman	D25/113
8,382,548	B2	2/2013	Maggiore		
D730,767	S *	6/2015	Jaruseski	D11/131
2011/0217127	A1 *	9/2011	MacDonald	E02D 29/025
					405/284

FOREIGN PATENT DOCUMENTS

EP	0048560	3/1982
WO	WO9929975	6/1999
WO	WO2011008555	1/2011

* cited by examiner

Primary Examiner — Cynthia M Chin

(74) *Attorney, Agent, or Firm* — Goldstein Law Offices, P.C.

(57) **CLAIM**

The ornamental design for a brick stack model construction component, as shown and described.

DESCRIPTION

FIG 1 is a perspective view of the brick stack model construction component.

FIG. 2 is a top plan view thereof

FIG. 3 is a bottom plan view thereof.

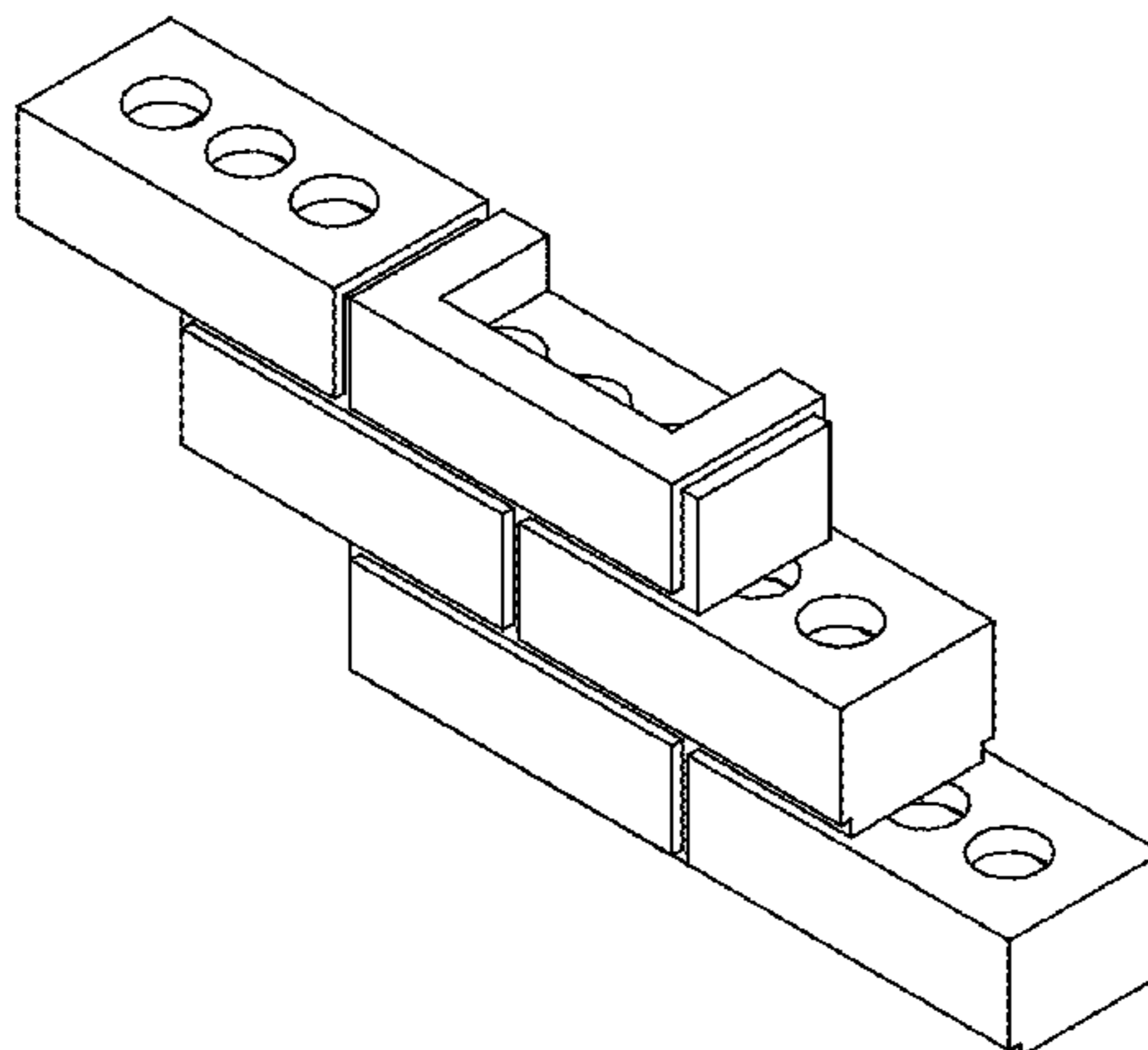
FIG. 4 is a front elevational plan view thereof.

FIG. 5 is a rear elevational view thereof, wherein portions of the drawing shown in broken lines form no part of the claimed design.

FIG. 6 is a left side elevational view thereof; and,

FIG. 7 is a right side elevational view thereof.

1 Claim, 4 Drawing Sheets



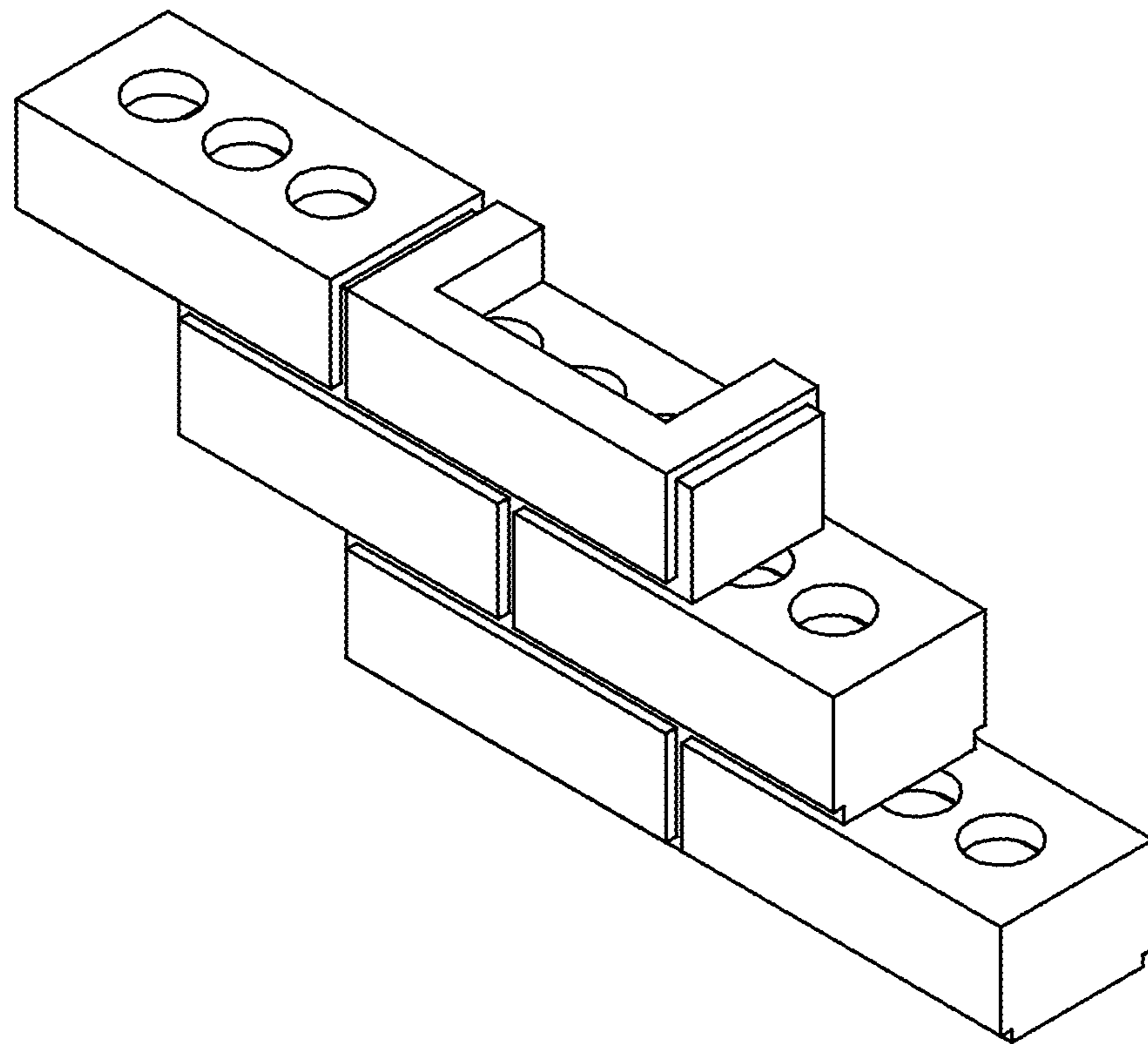


FIG. 1

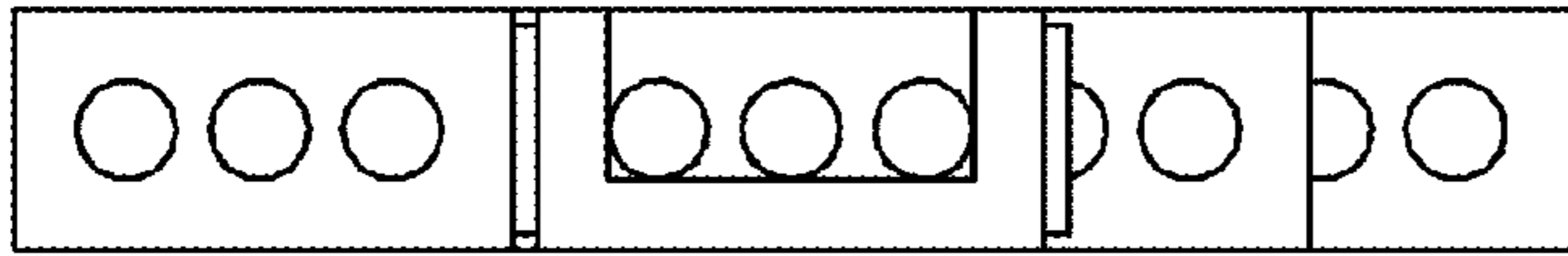


FIG. 2

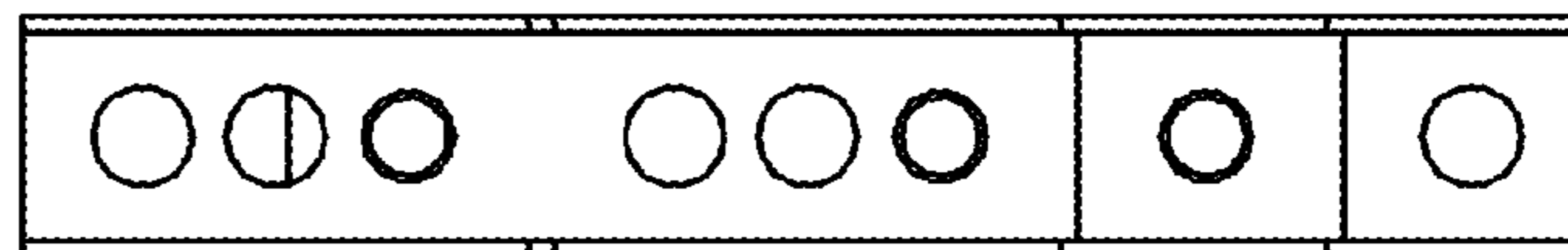


FIG. 3

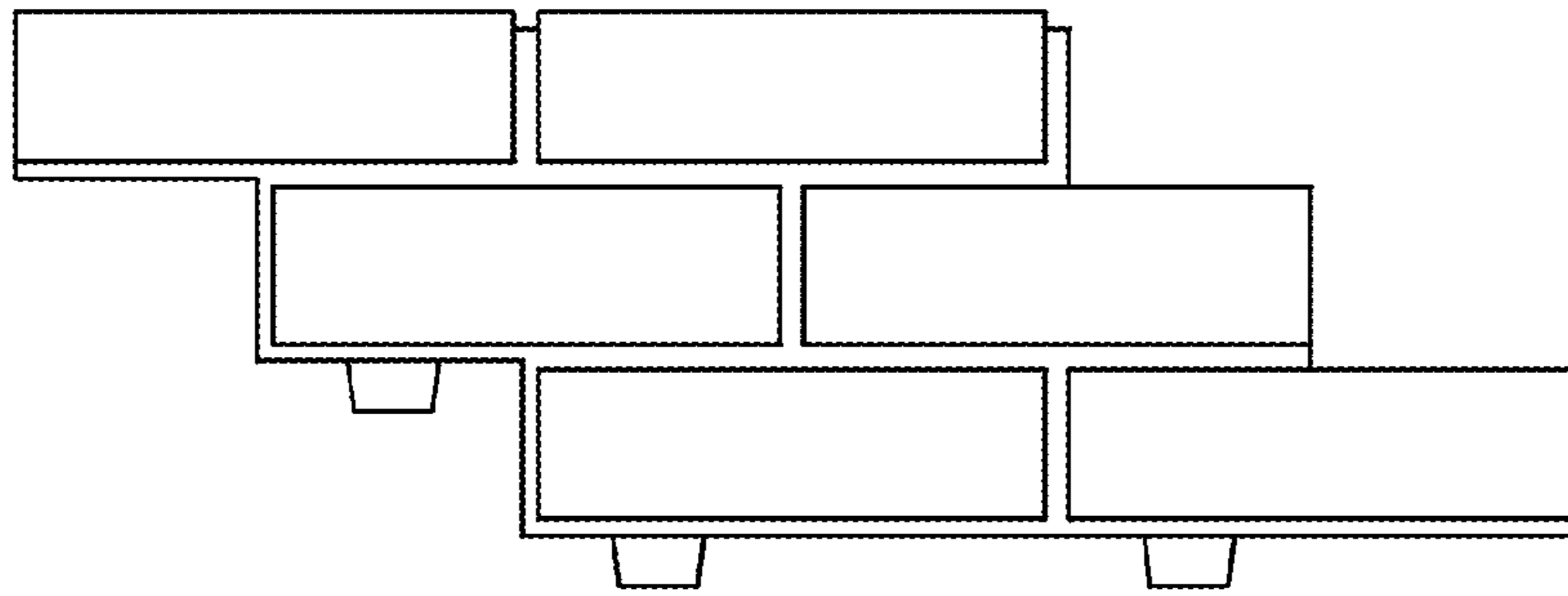


FIG. 4

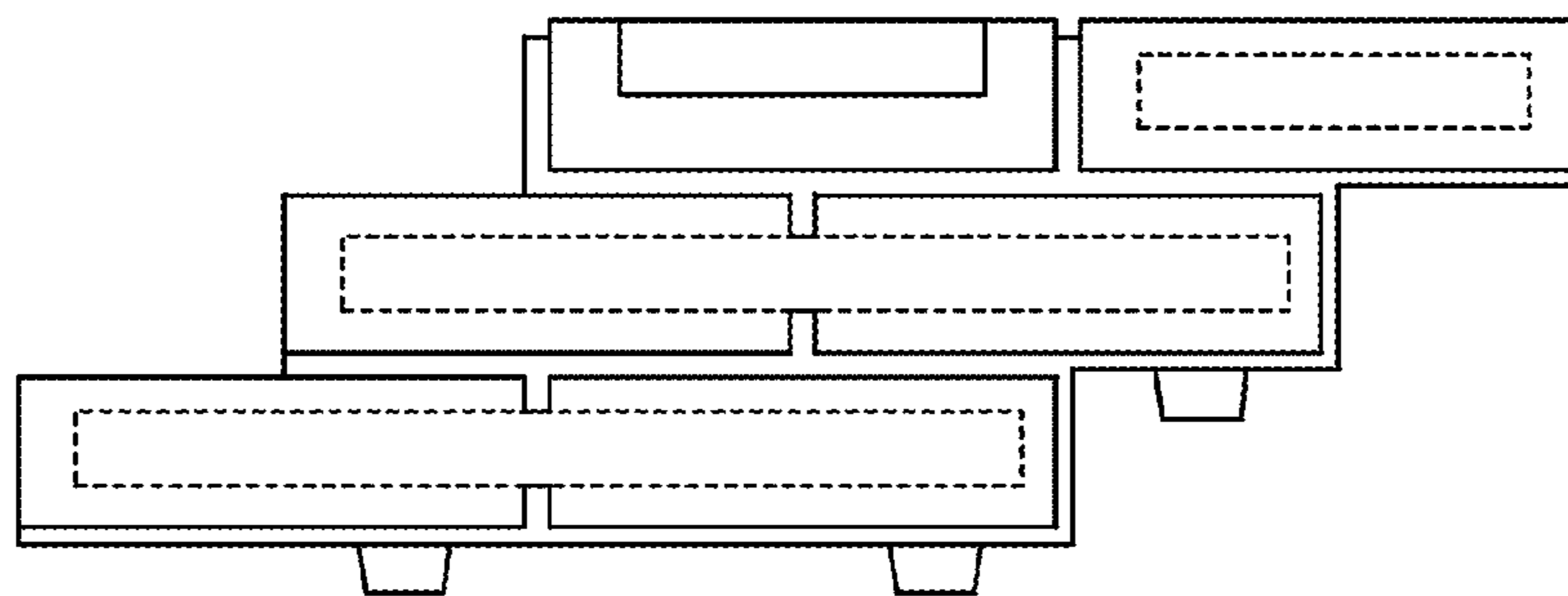


FIG. 5

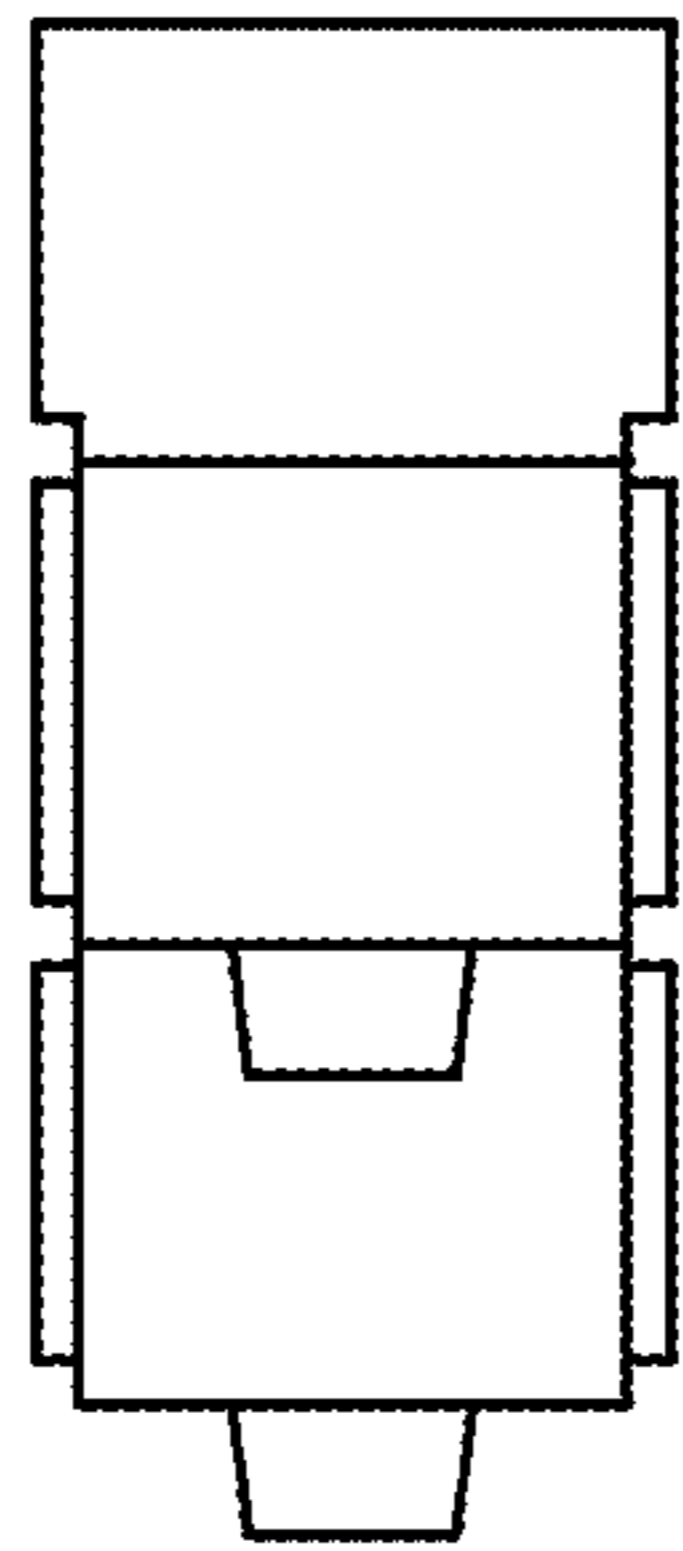


FIG. 6

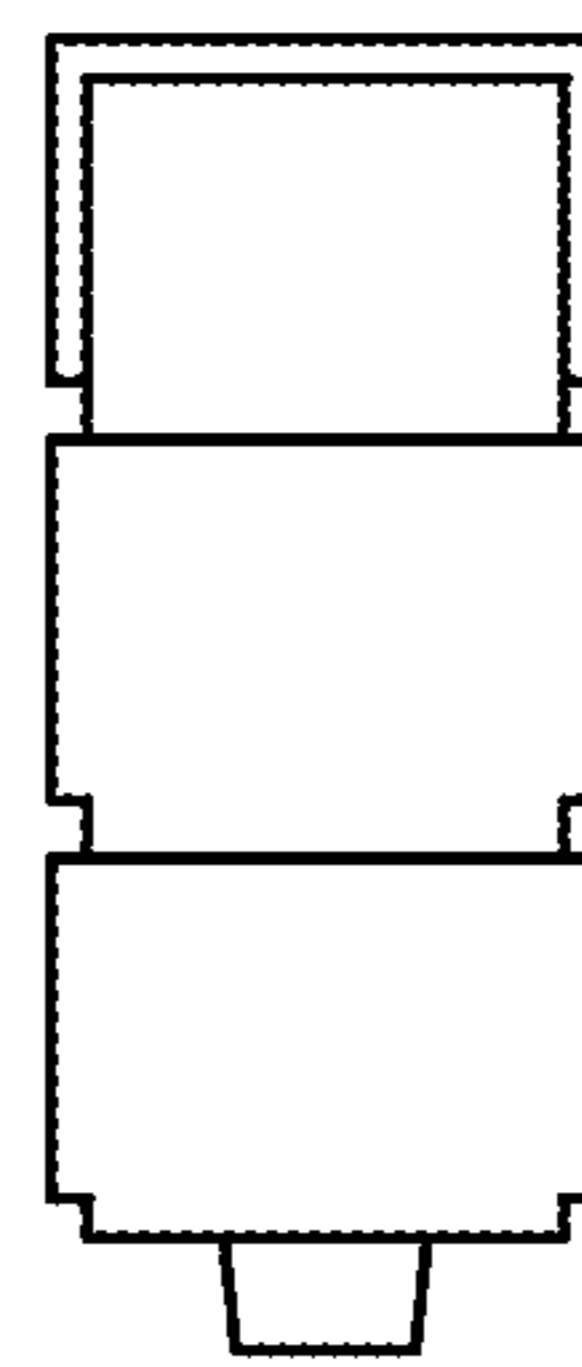


FIG. 7